



US00D457016S

(12) **United States Design Patent**  
**Dudley**

(10) **Patent No.:** **US D457,016 S**

(45) **Date of Patent:** **\*\* May 14, 2002**

(54) **SINGLE FOODSERVICE UNIT**

(75) Inventor: **William R. Dudley**, Lawrenceville, GA (US)

(73) Assignee: **Duke Manufacturing Company**, St. Louis, MO (US)

(\*\*) Term: **14 Years**

(21) Appl. No.: **29/130,207**

(22) Filed: **Sep. 28, 2000**

(51) **LOC (7) Cl.** ..... **06-04**

(52) **U.S. Cl.** ..... **D6/471; D6/402**

(58) **Field of Search** ..... D6/396, 397, 402, D6/411, 413, 414, 423, 436, 470, 495, 481, 471; D20/41, 42; 211/182, 184; 312/140.4, 351.2; 261/DIG. 14

(56) **References Cited**

**U.S. PATENT DOCUMENTS**

|           |   |           |                  |           |
|-----------|---|-----------|------------------|-----------|
| 2,894,604 | A | 7/1959    | McMillan         |           |
| 2,900,045 | A | 8/1959    | Conklin et al.   |           |
| 3,170,541 | A | 2/1965    | Werner           |           |
| D209,722  | S | * 12/1967 | Mangini          | D6/471    |
| 3,874,479 | A | 4/1975    | Onori et al.     |           |
| D264,907  | S | * 6/1982  | Barnhill         | D6/423    |
| D293,986  | S | * 2/1988  | Raufeisen        | D6/471    |
| 5,163,536 | A | 11/1992   | Tuhro et al.     |           |
| D350,658  | S | * 9/1994  | Graat            | D6/471    |
| 5,413,135 | A | 5/1995    | Poole            |           |
| D374,576  | S | * 10/1996 | Kaplan           | D6/481    |
| 5,943,828 | A | * 8/1999  | Samborn et al.   | 312/237 X |
| D427,801  | S | * 7/2000  | Cary, Jr. et al. | D6/396    |
| D427,808  | S | * 7/2000  | Bedard           | D6/470    |

\* cited by examiner

*Primary Examiner*—Cathron C. Brooks  
(74) *Attorney, Agent, or Firm*—R. G. Heywood

(57) **CLAIM**

The ornamental design for a single foodservice unit, as shown and described.

**DESCRIPTION**

FIG. 1 is a front perspective view of a first embodiment of a single foodservice unit illustrating the invention, FIG. 2 is a front elevational view of the first embodiment, FIG. 3 is a top plan view of the first embodiment, FIG. 4 is a rear elevational view of the first embodiment, FIGS. 5 and 6 are front and rear perspective views of the first embodiment with the foodservice counter portion shown in broken lines for completeness of illustration, FIG. 7 is a front perspective view of a second embodiment of a single foodservice unit, FIG. 8 is a front elevational view of the second embodiment, FIG. 9 is a plan view of the second embodiment, FIG. 10 is a rear elevation of the second embodiment, FIGS. 11 and 12 are front and rear perspective views of the second embodiment with the foodservice counter portion shown in broken lines for completeness of illustration, FIG. 13 is a front perspective view of a third embodiment of a single foodservice unit, FIG. 14 is a front elevational view of the third embodiment, FIG. 15 is a top plan view of the third embodiment, FIG. 16 is a rear elevational view of the third embodiment; and, FIGS. 17 and 18 are front and rear perspective views of the third embodiment with the foodservice counter portion shown in broken lines for completeness of illustration.

**1 Claim, 9 Drawing Sheets**

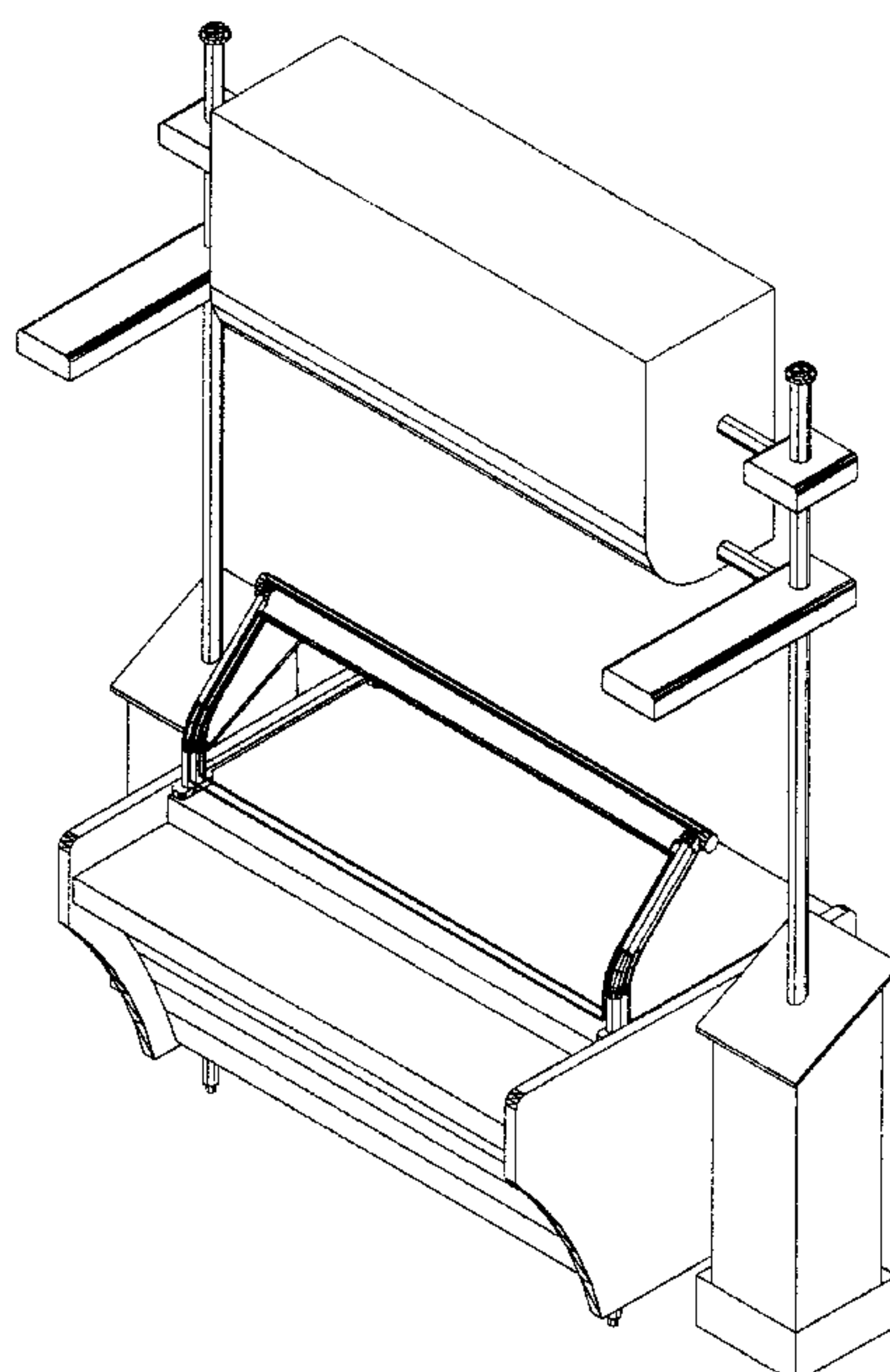
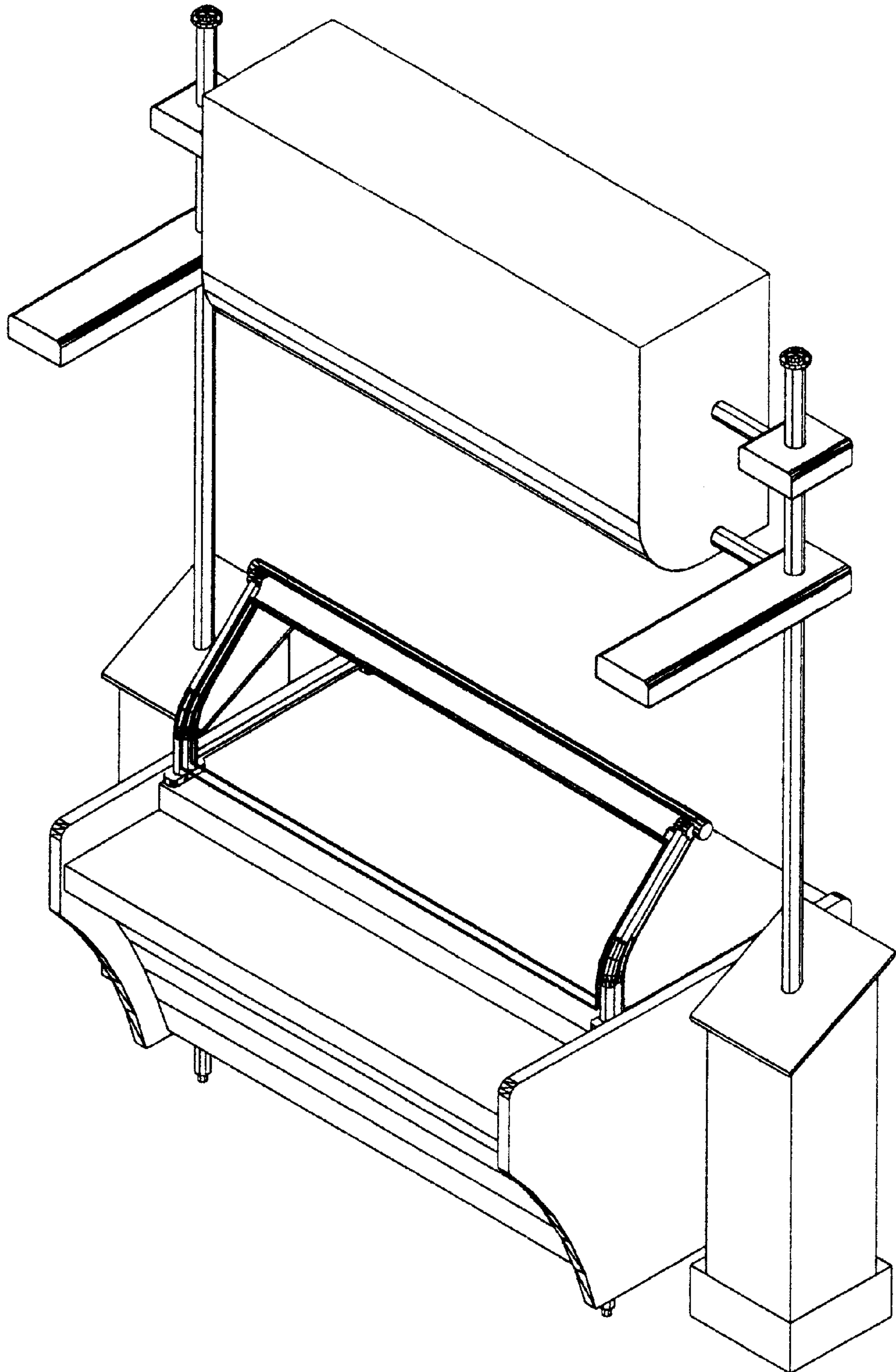


FIG. 1



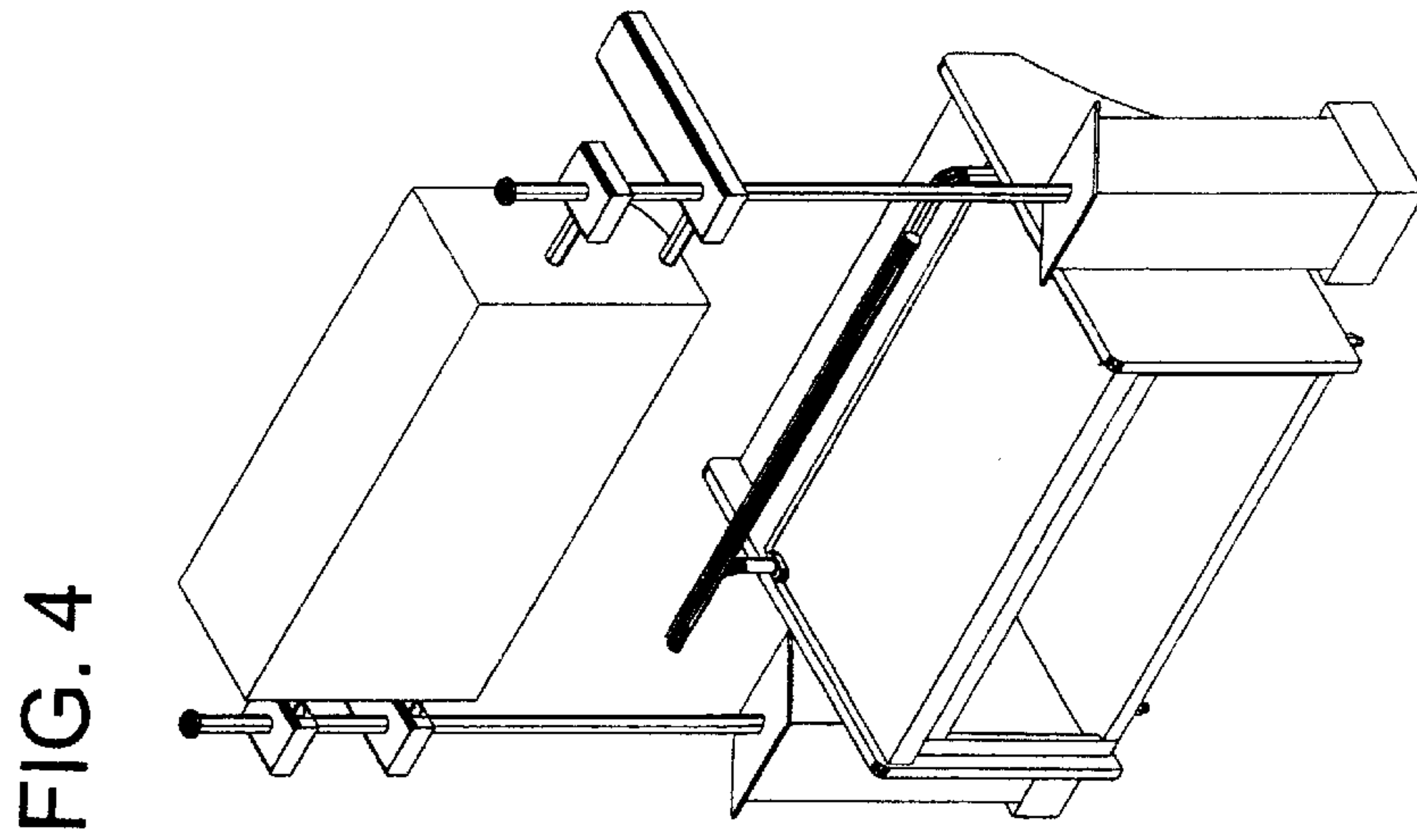


FIG. 4

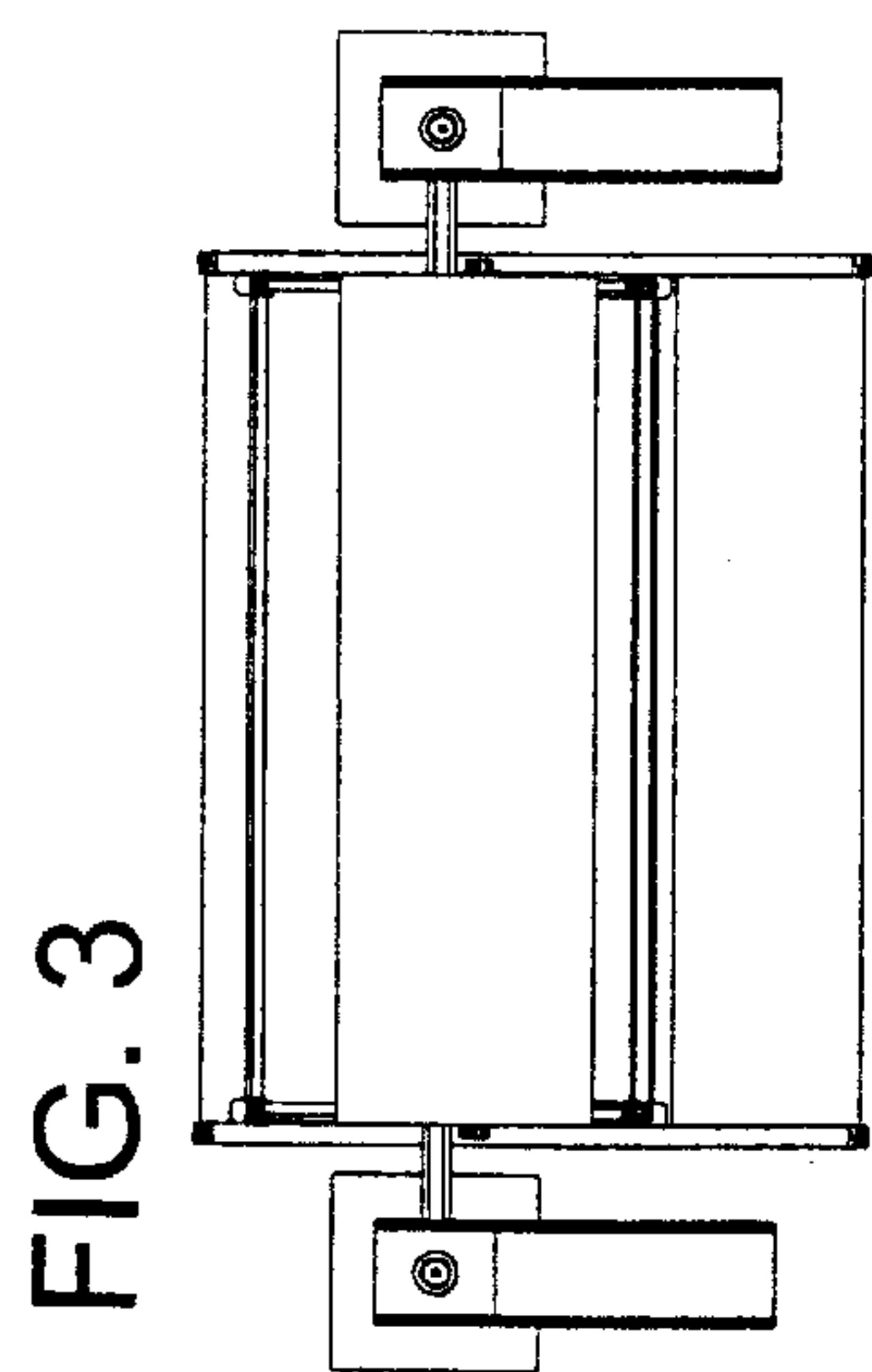


FIG. 3

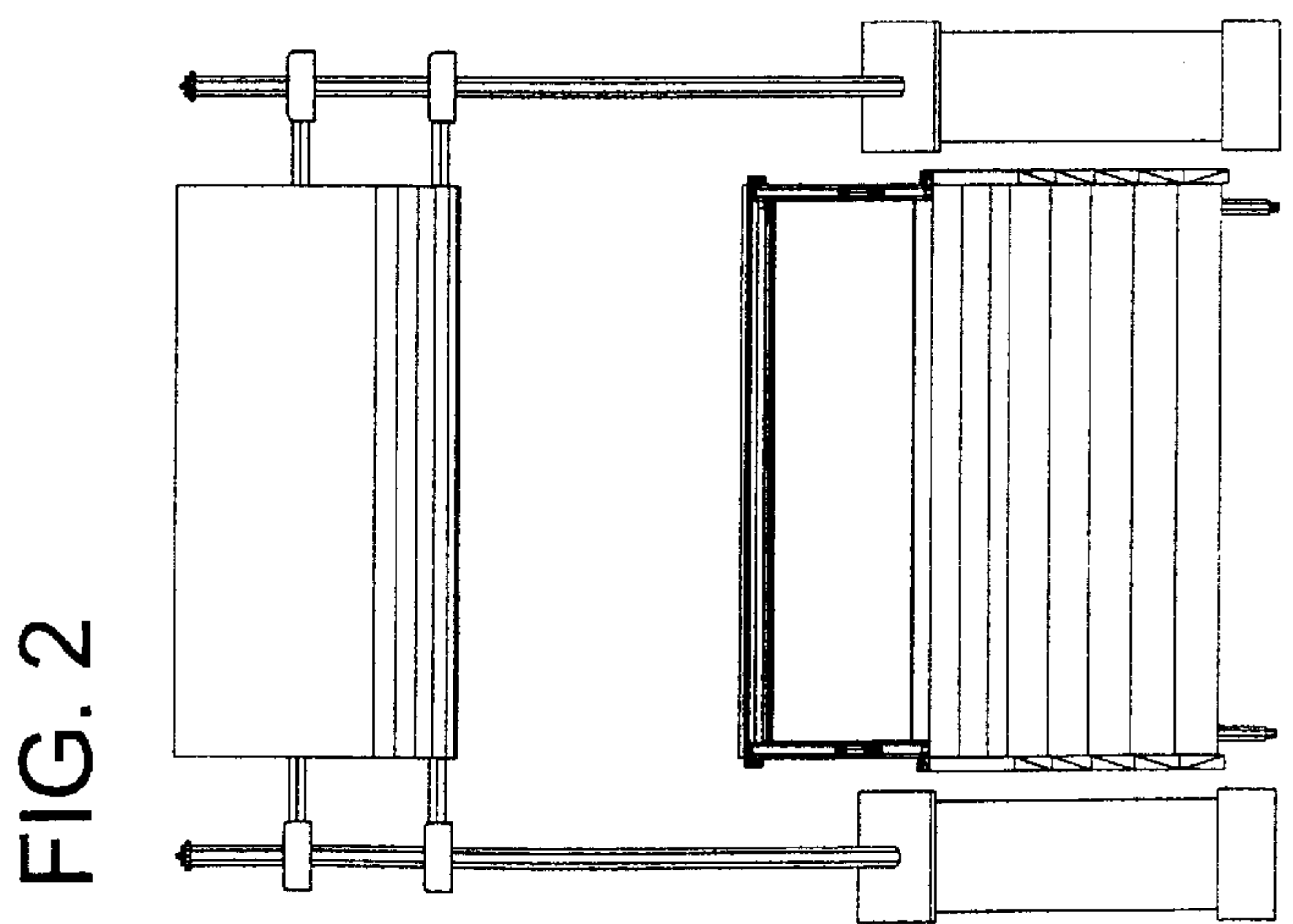


FIG. 2

FIG. 5

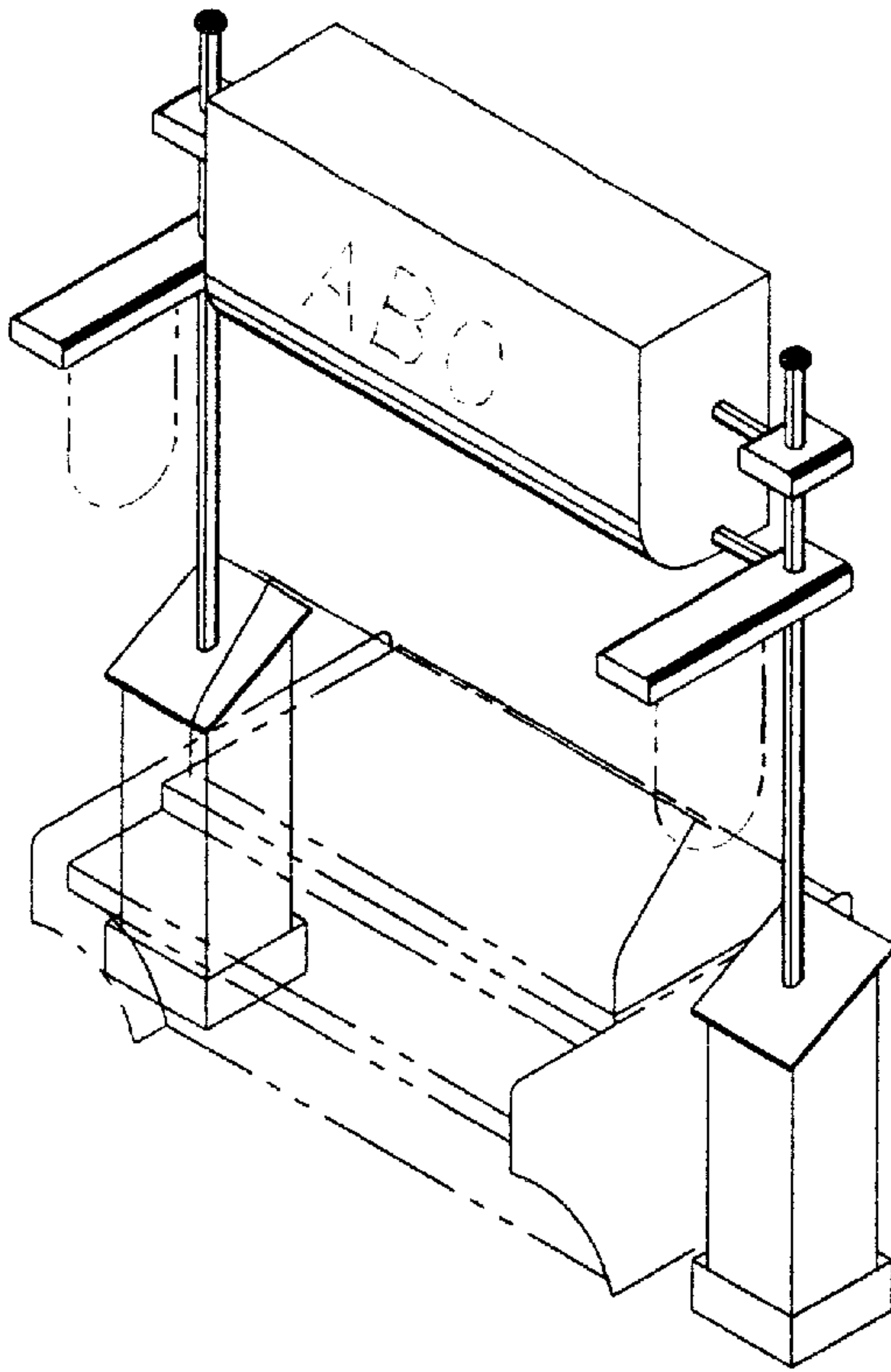


FIG. 6

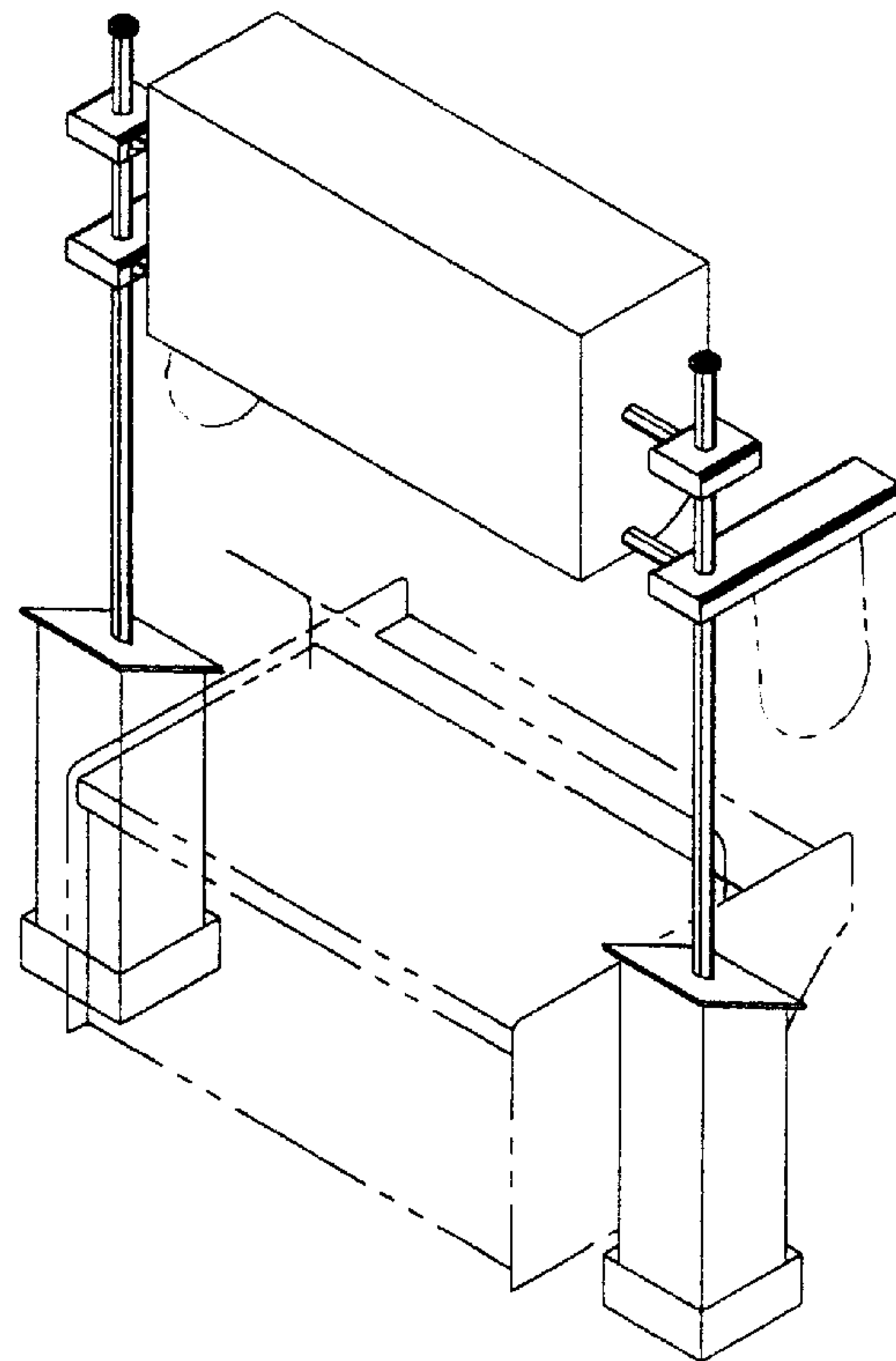
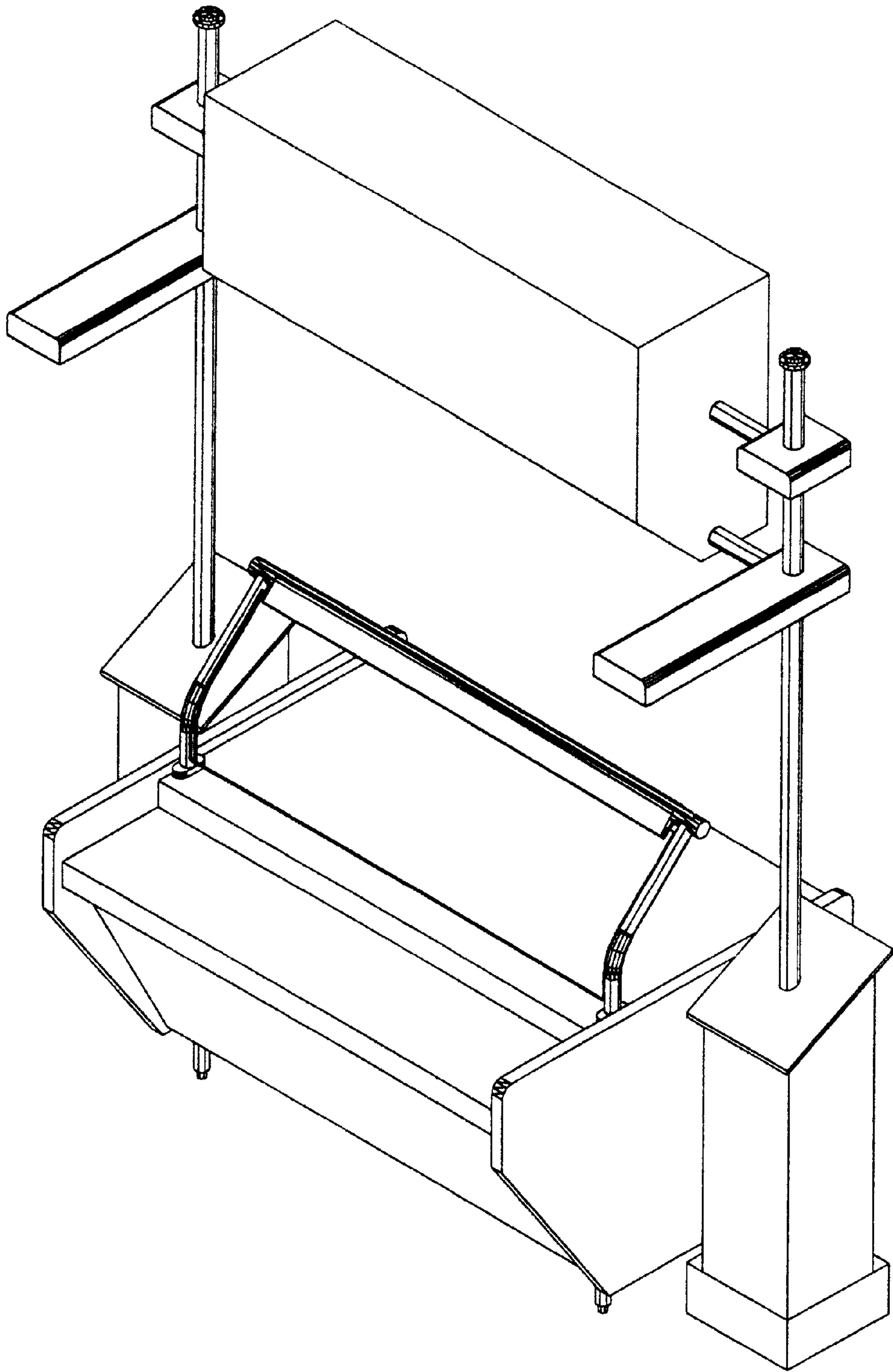




FIG. 7



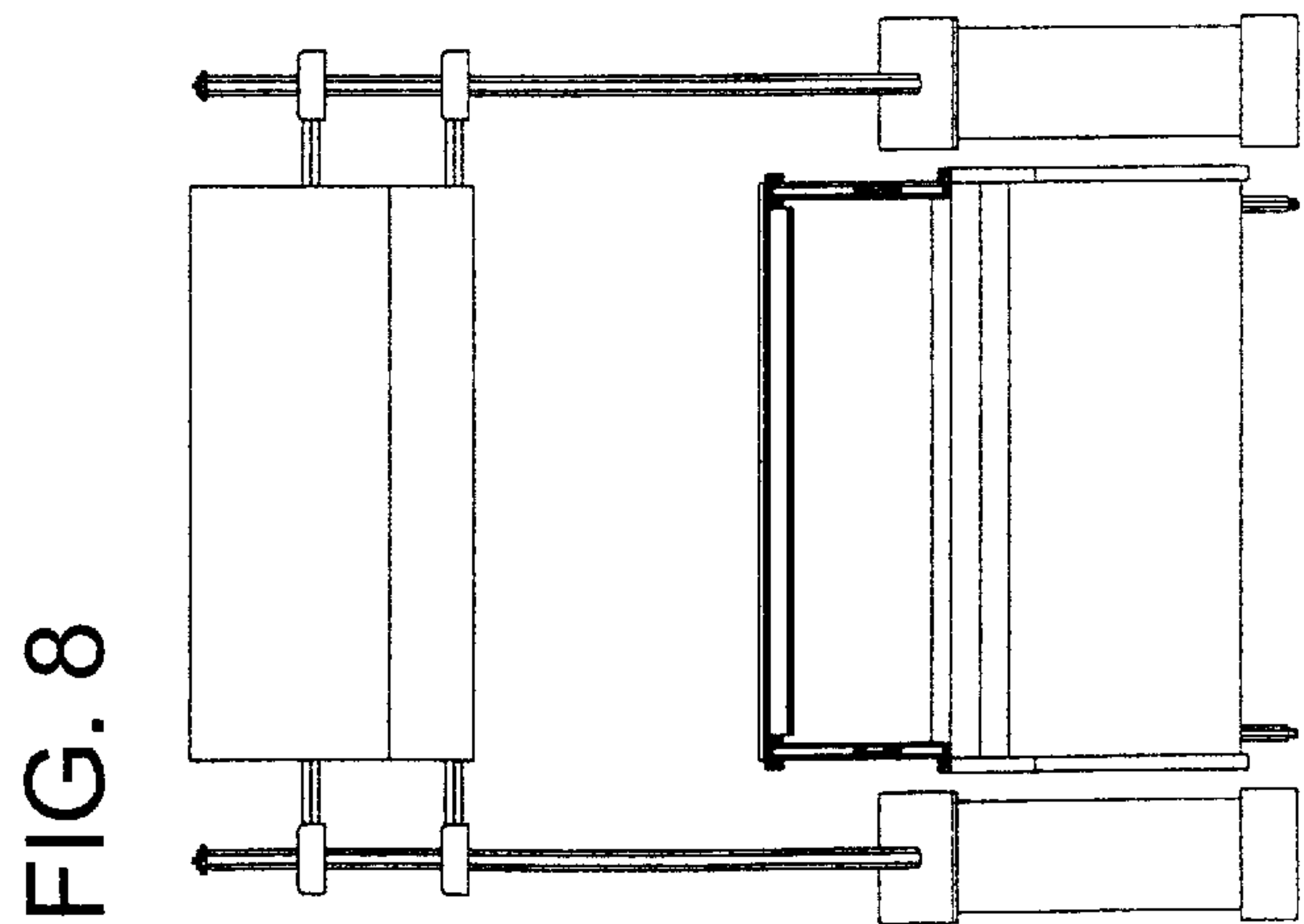
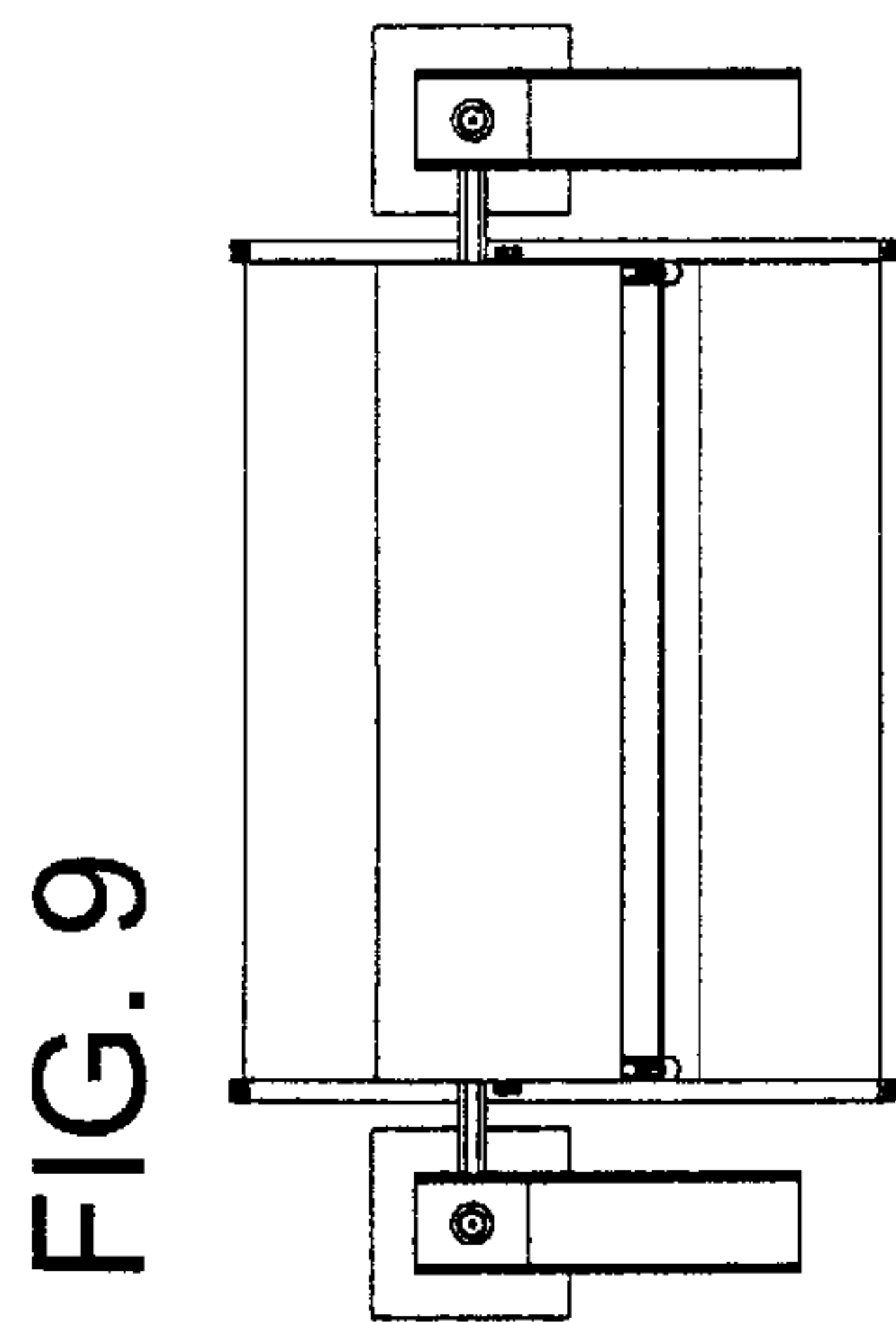
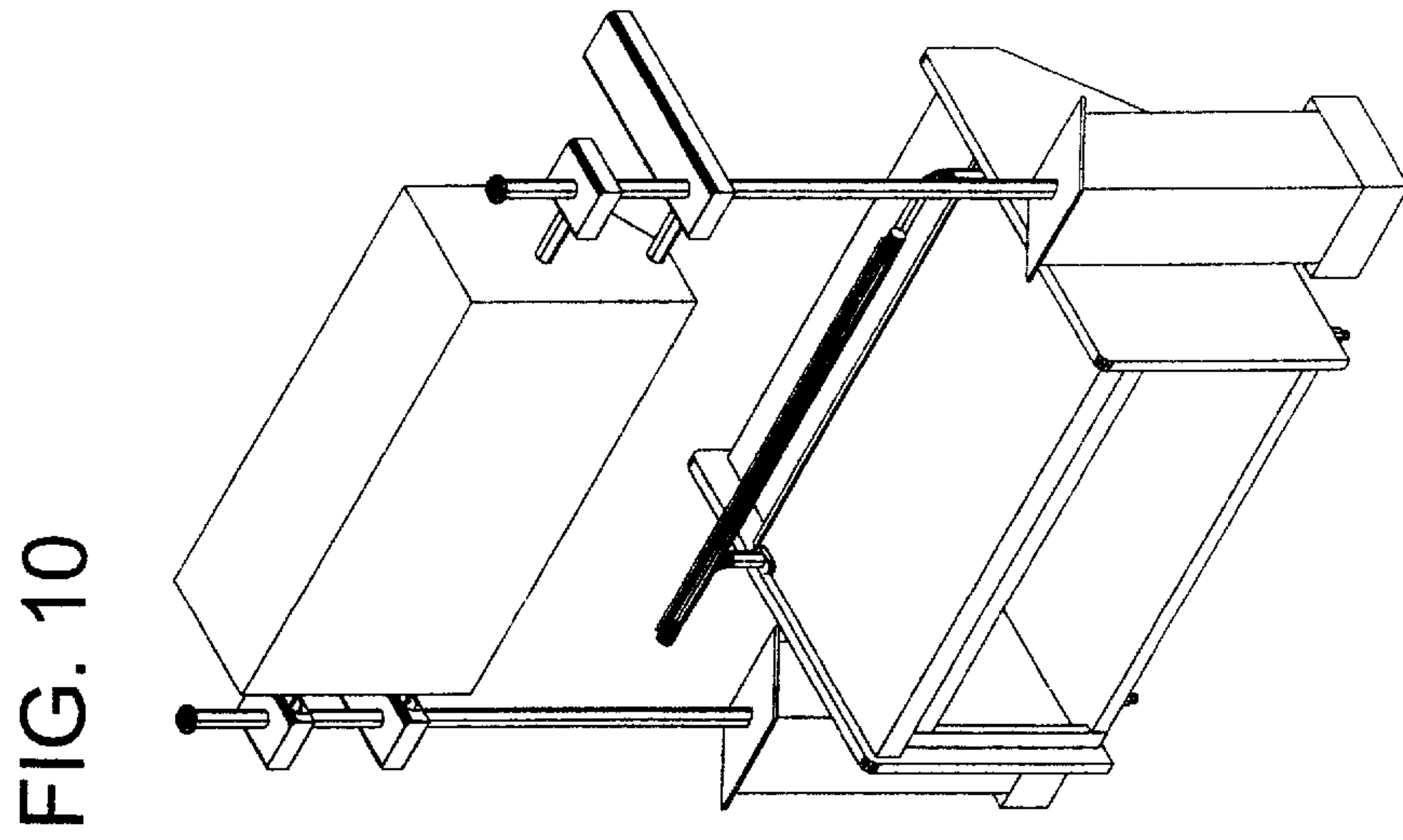


FIG. 11

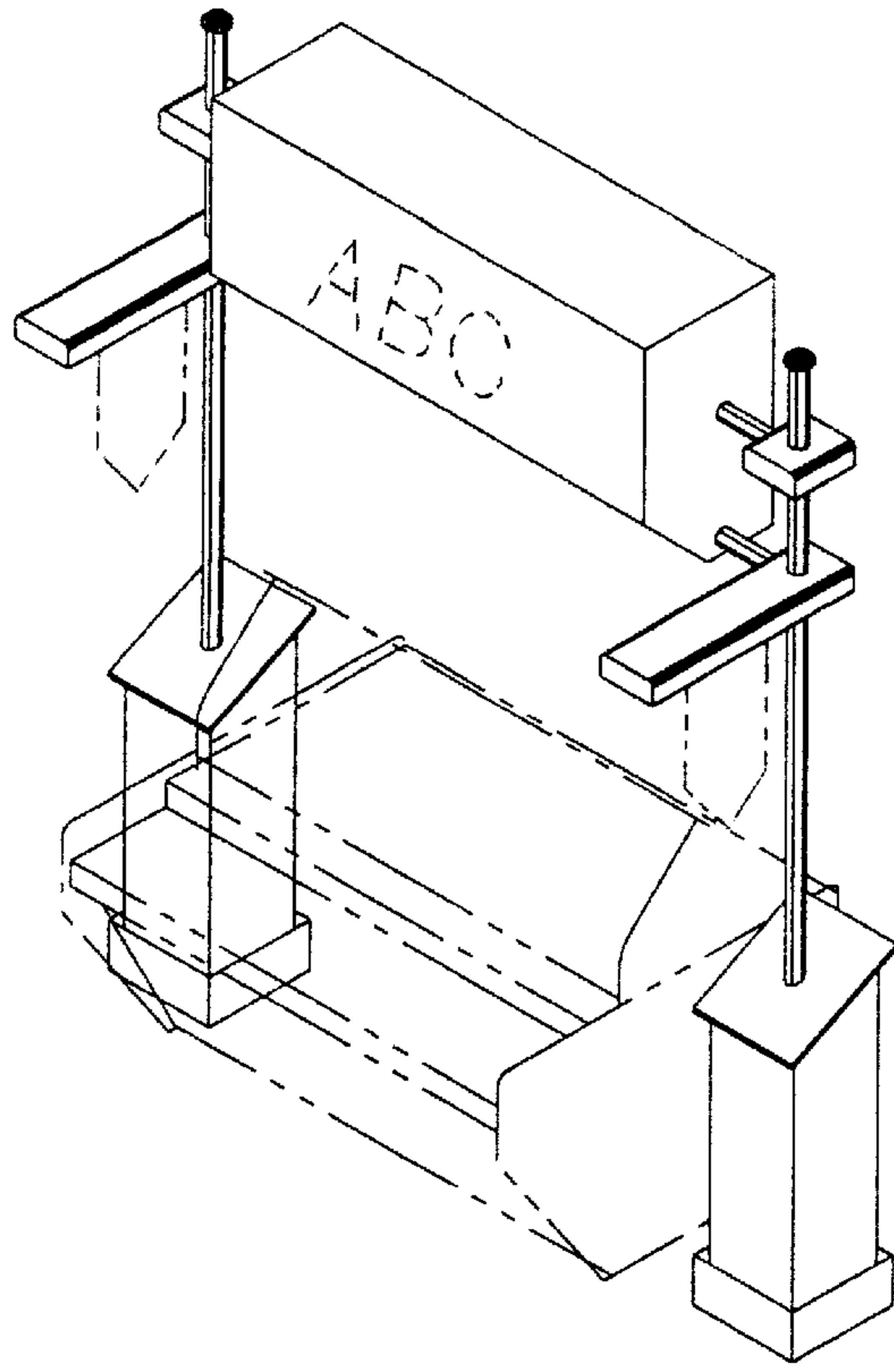


FIG. 12

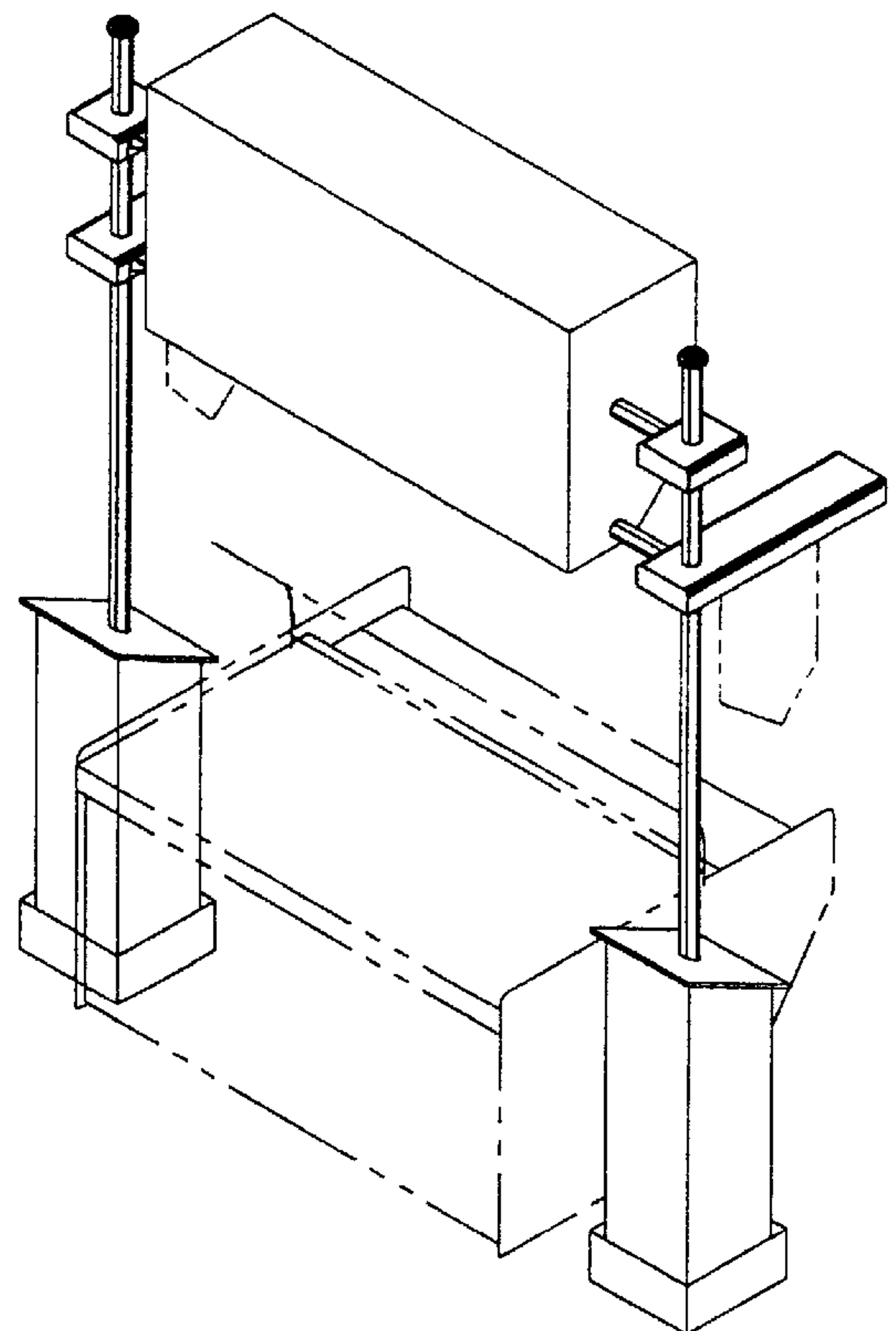


FIG. 13

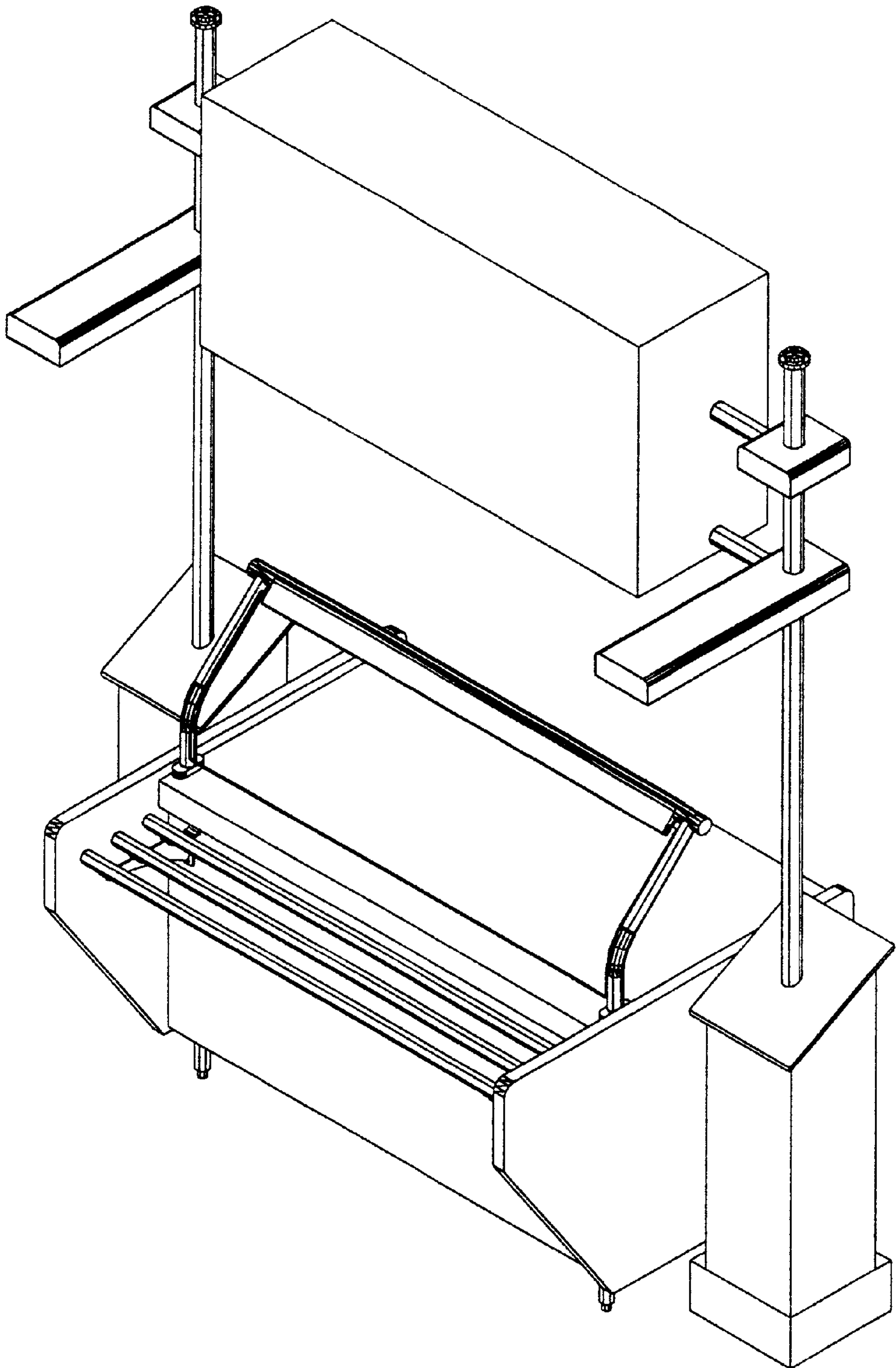




FIG. 15

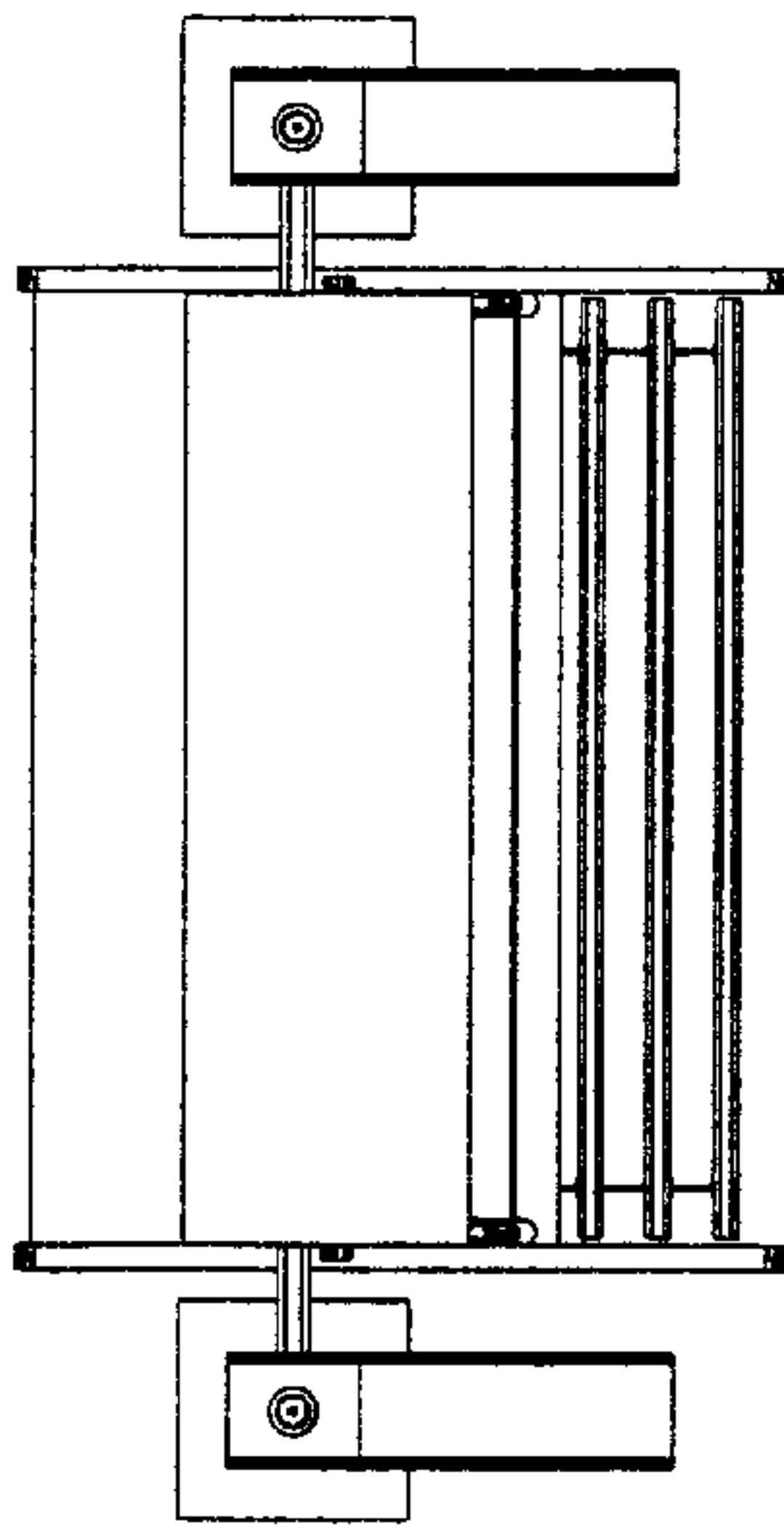


FIG. 14

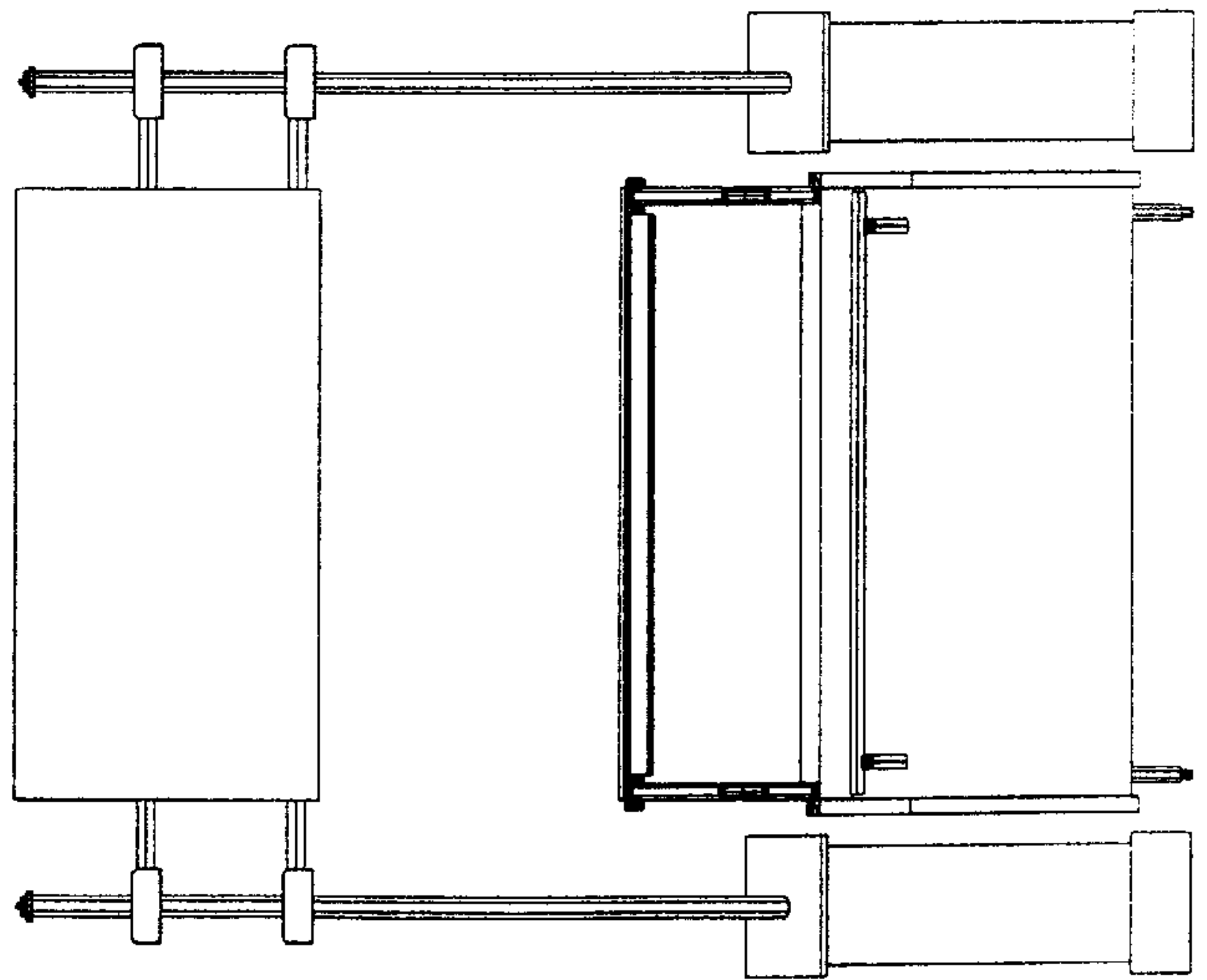


FIG. 16

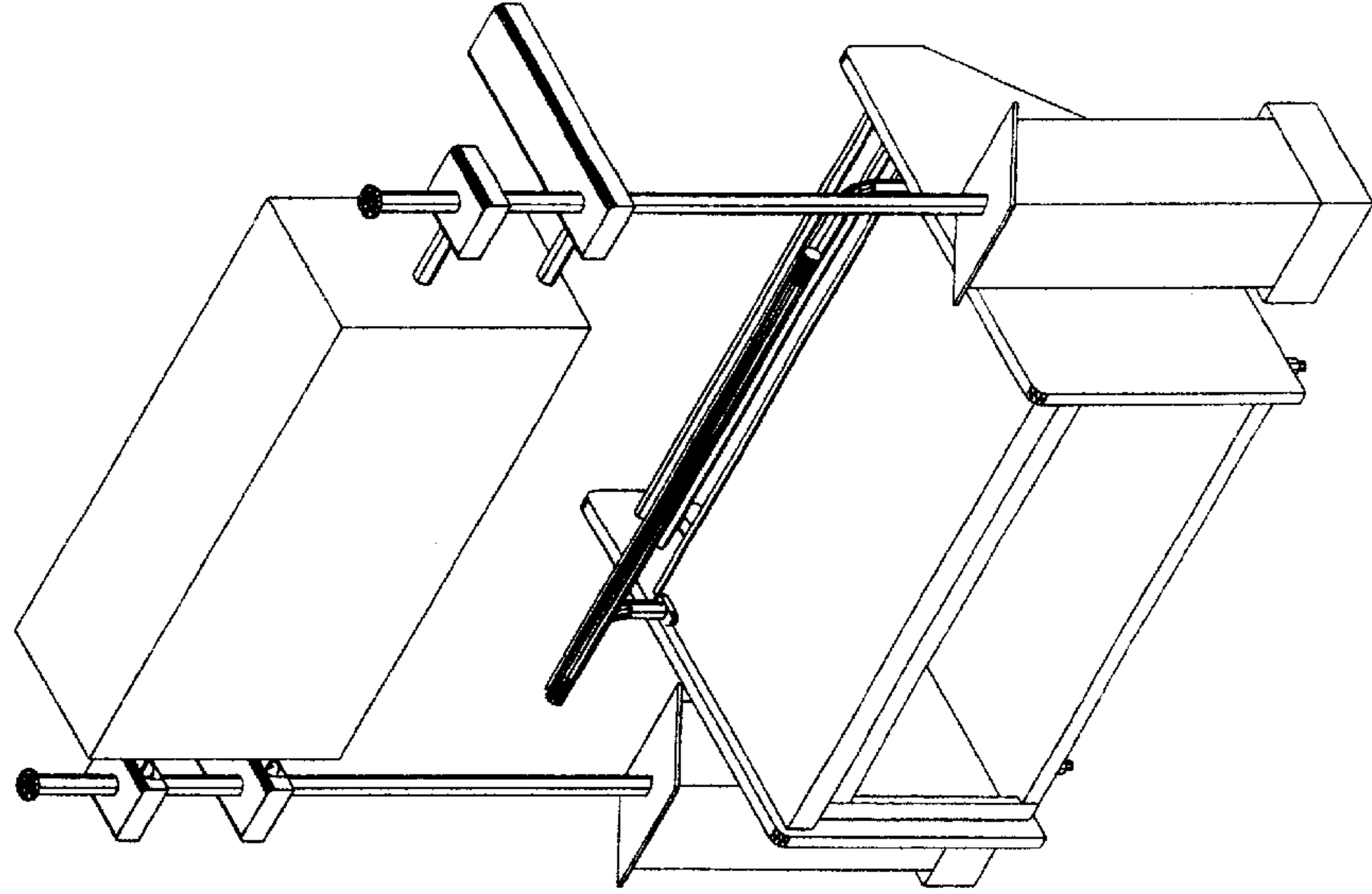


FIG. 17

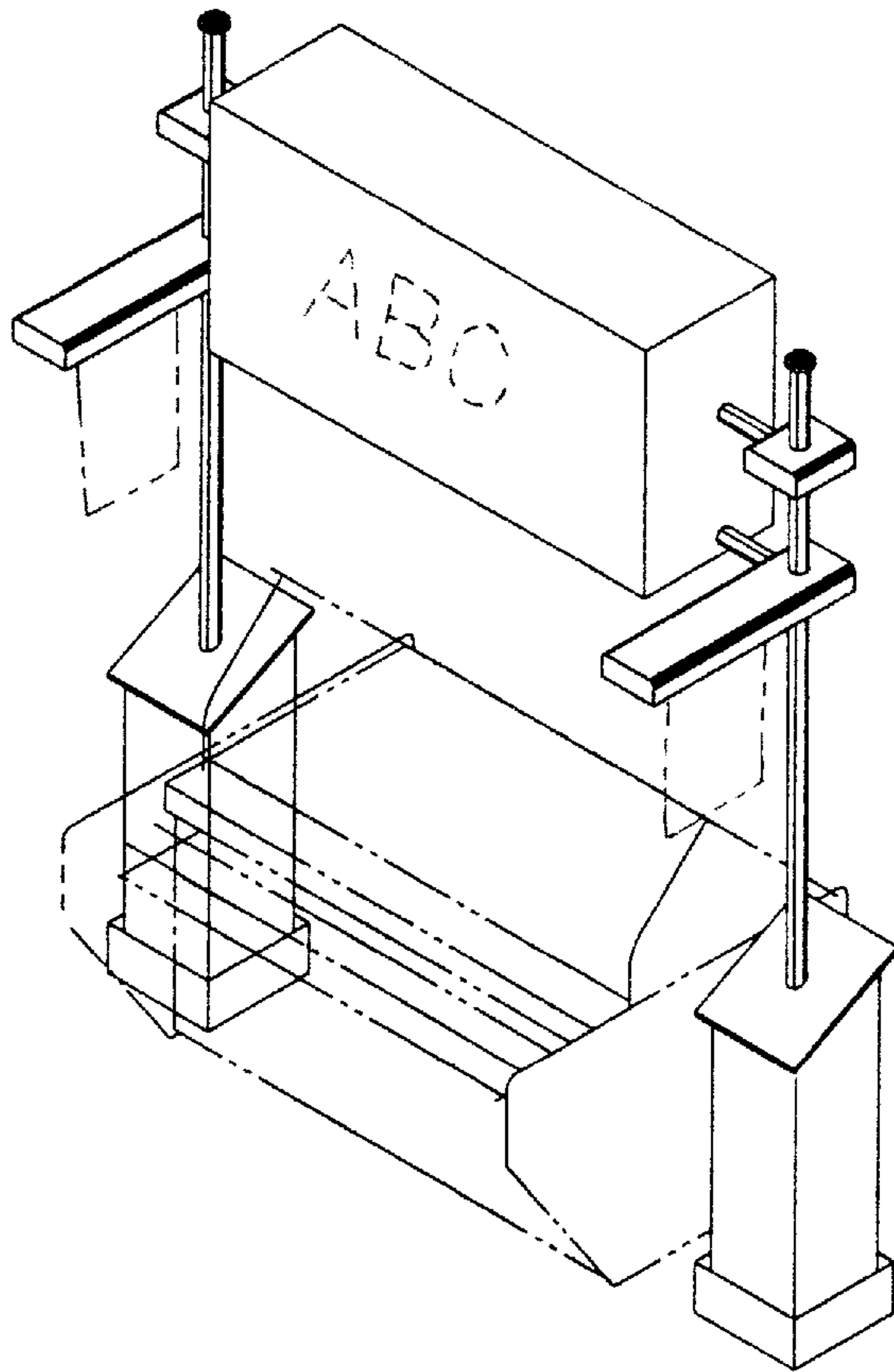


FIG. 18

