



US00D457015S

(12) **United States Design Patent**
Laga et al.

(10) **Patent No.:** **US D457,015 S**

(45) **Date of Patent:** **** May 14, 2002**

(54) **STORAGE RACK**

(75) Inventors: **Kenneth Laga**, Emmaus, PA (US);
William J. Pestone, Cohasset, MA (US)

(73) Assignee: **Lehigh Consumer Products Corporation**, Macungie, PA (US)

(**) Term: **14 Years**

(21) Appl. No.: **29/138,935**

(22) Filed: **Mar. 22, 2001**

(51) **LOC (7) Cl.** **06-04**

(52) **U.S. Cl.** **D6/467**

(58) **Field of Search** D6/396, 449, 466,
D6/467, 469, 512, 534, 553; D8/71, 373;
D19/81, 85; D24/229, 230; 211/60.1, 69,
69.1, 69.5, 69.2, 94

(56) **References Cited**

U.S. PATENT DOCUMENTS

- D157,239 S * 2/1950 Crawford D19/85
- 3,198,339 A * 8/1965 Stolarz 211/69.5
- 3,482,705 A * 12/1969 Bushey 211/60.1
- D286,595 S * 11/1986 Haskell D6/467
- D294,209 S * 2/1988 Havelka D6/467

- D312,015 S * 11/1990 Edwardson D6/512
- D325,849 S * 5/1992 Melcher D7/701
- D342,015 S * 12/1993 Andrejew D8/373
- D358,066 S * 5/1995 Blackwood D6/449
- D415,530 S * 10/1999 Ridder D19/85

* cited by examiner

Primary Examiner—Cathron C. Brooks

(74) *Attorney, Agent, or Firm*—Samuels, Gauthier & Stevens

(57) **CLAIM**

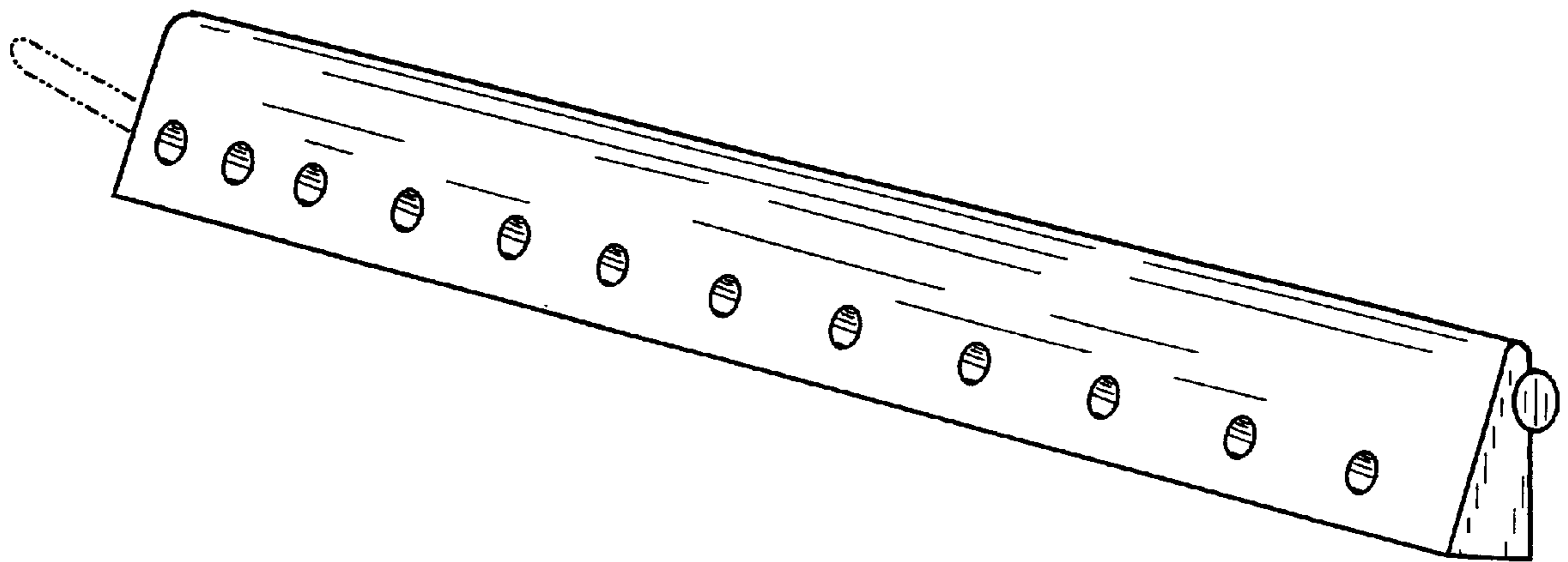
The ornamental design for a storage rack, as shown and described.

DESCRIPTION

FIG. 1 is a perspective view of a storage rack of the invention;
 FIG. 2 is a top view;
 FIG. 3 is a front view of FIG. 1;
 FIG. 4 is a bottom view of FIG. 1;
 FIG. 5 is a back view of FIG. 1; and,
 FIG. 6 is a left side view of FIG. 1, the right side being identical thereto.

The broken lines shown are for illustrative purposes only and form no part of the claimed design.

1 Claim, 1 Drawing Sheet



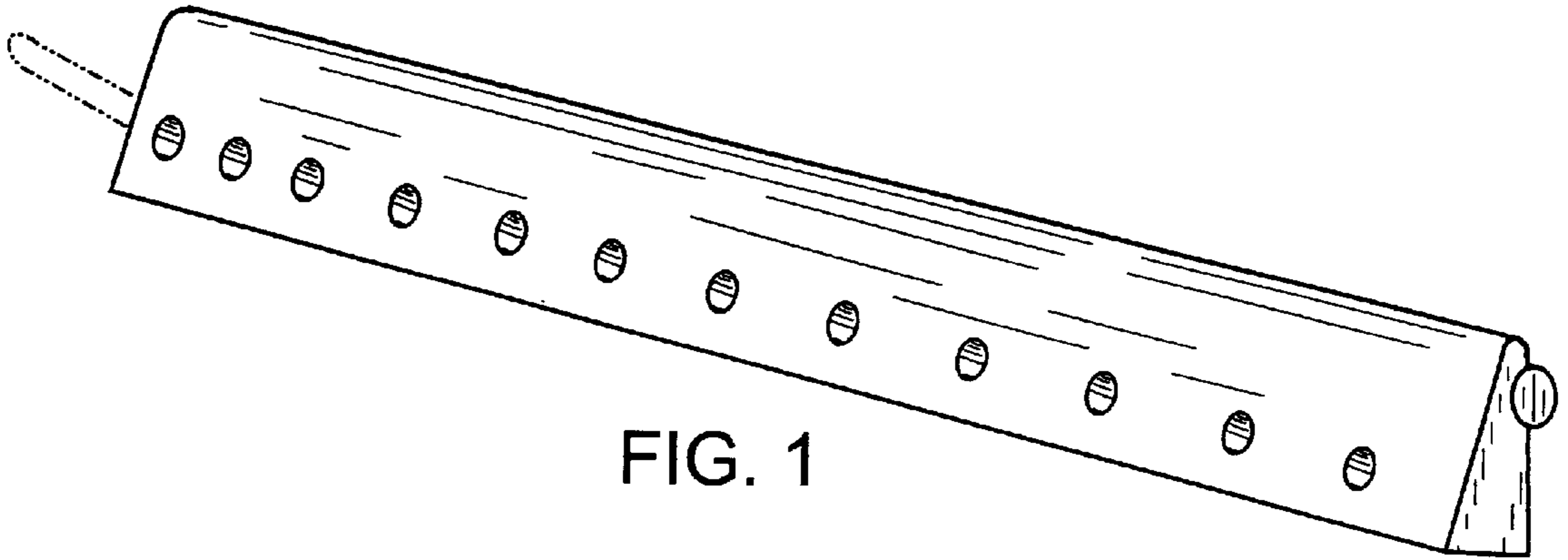


FIG. 1

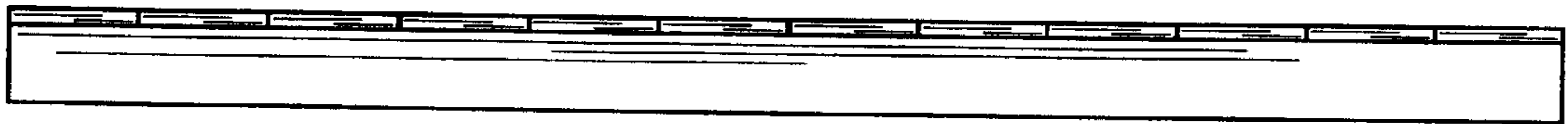


FIG. 2

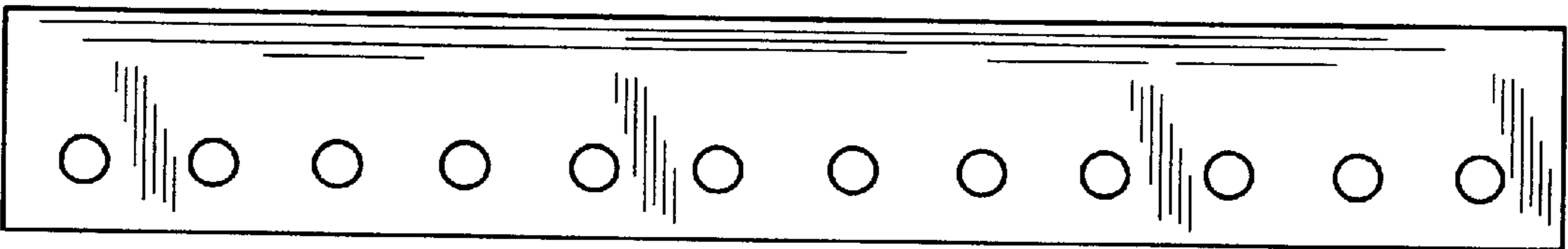


FIG. 3

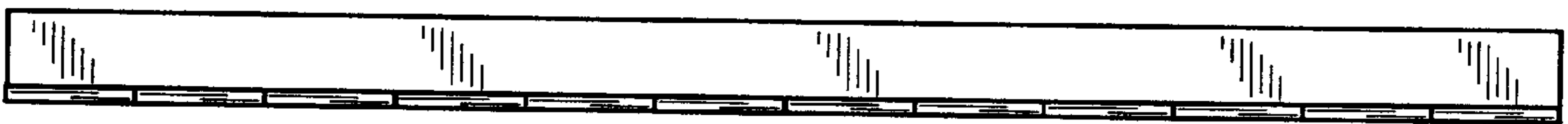


FIG. 4

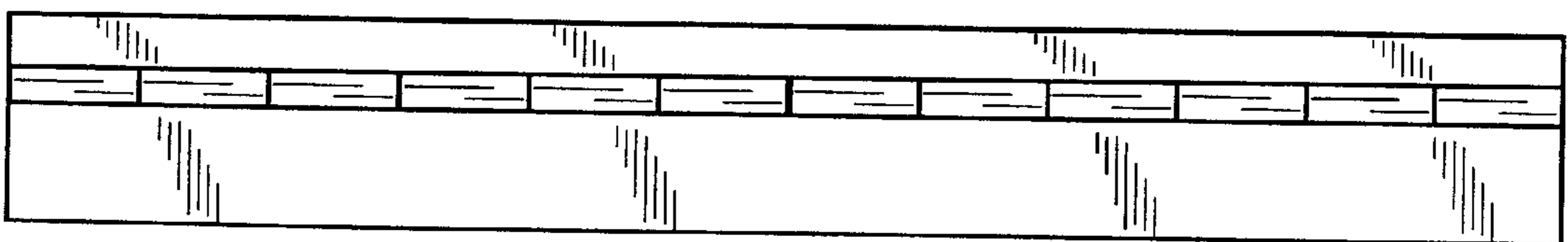


FIG. 5



FIG. 6