



US00D457013S

(12) **United States Design Patent**  
**Blair**

(10) **Patent No.:** **US D457,013 S**

(45) **Date of Patent:** **\*\* May 14, 2002**

(54) **SUNCATCHER DISPLAY CABINET**

D393,960 S \* 5/1998 Geier et al. .... D6/457  
D417,093 S \* 11/1999 Fan ..... D6/470

(76) Inventor: **Glen O. Blair**, 101 Illinois St., P.O.  
Box 529, Camdenton, MO (US) 65020

\* cited by examiner

(\*\*) Term: **14 Years**

*Primary Examiner*—Cathron C. Brooks  
(74) *Attorney, Agent, or Firm*—Hovey Williams LLP

(21) Appl. No.: **29/135,849**

(57) **CLAIM**

(22) Filed: **Jan. 19, 2001**

The ornamental design for a suncatcher display cabinet, as shown and described.

(51) **LOC (7) Cl.** ..... **06-04**

(52) **U.S. Cl.** ..... **D6/455; D6/470; D6/436**

(58) **Field of Search** ..... D6/396, 409, 407,  
D6/410, 415, 449, 455, 457, 470; D20/21;  
211/45, 50, 55, 56, 58, 163, 169; 248/131;  
312/249.2

**DESCRIPTION**

FIG. 1 is a perspective view of a suncatcher display cabinet embodying my design, the broken lines representing trim are for illustrative purposes only and form no part of the claimed design;

FIG. 2 is a front elevational view of the suncatcher display cabinet;

FIG. 3 is a right side elevational view of the suncatcher display cabinet, with the left side elevational view being a mirror image thereof;

FIG. 4 is a rear elevational view of the suncatcher display cabinet; and,

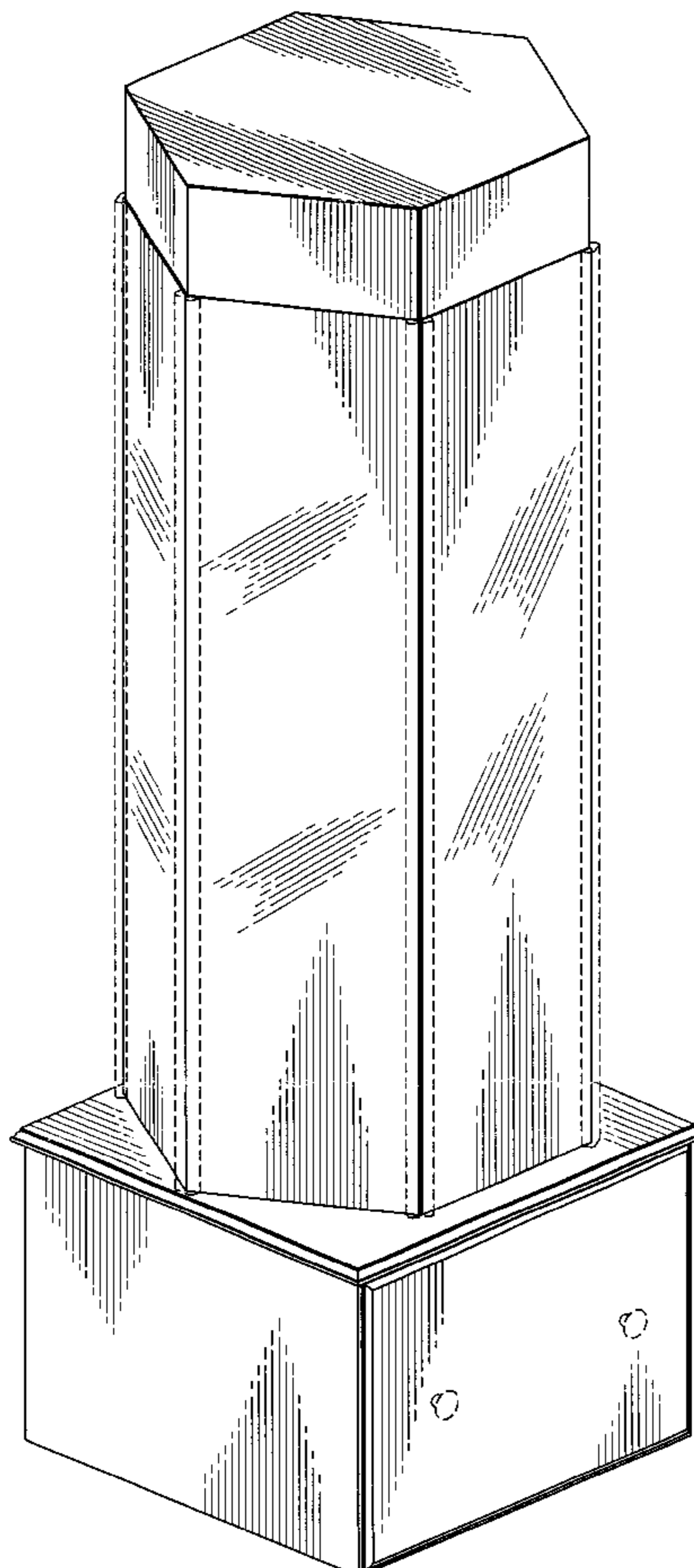
FIG. 5 is a top plan view of the suncatcher display cabinet.

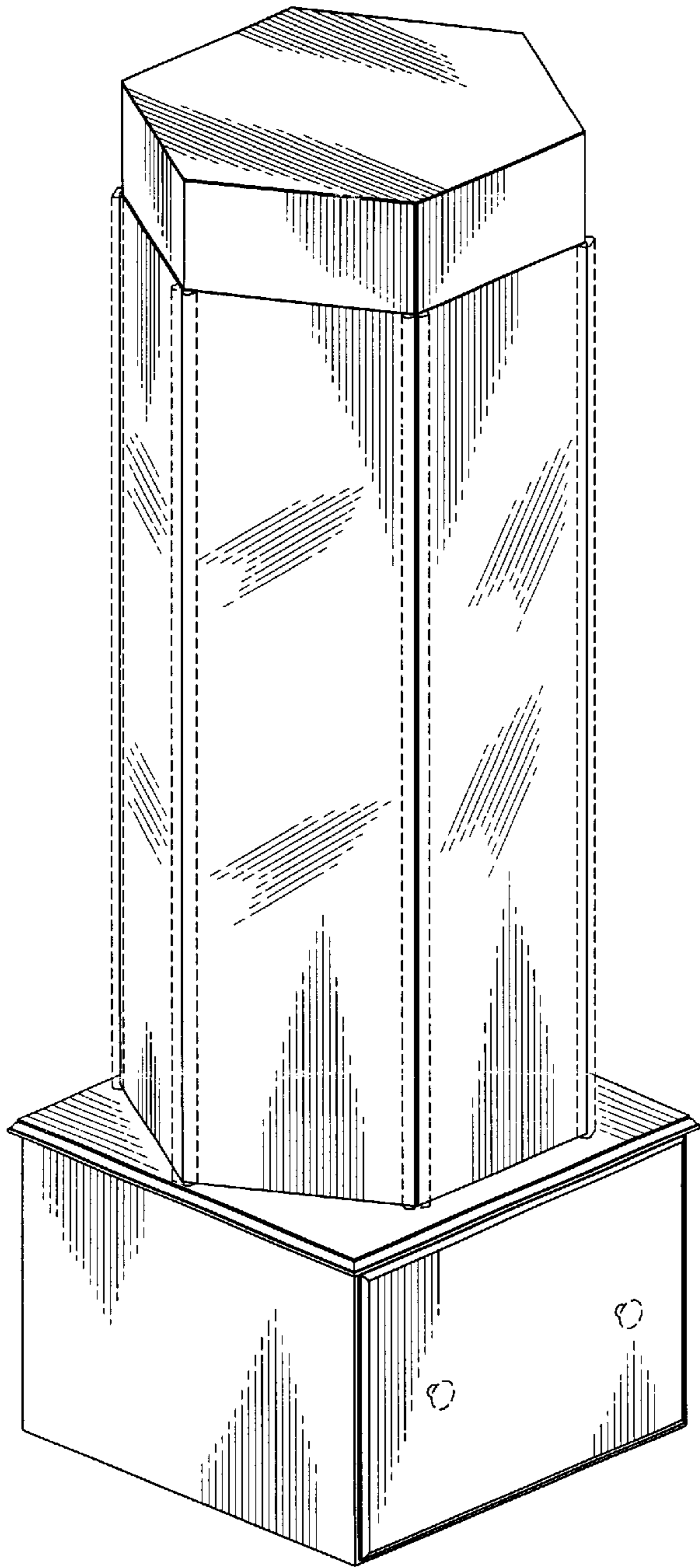
(56) **References Cited**

**U.S. PATENT DOCUMENTS**

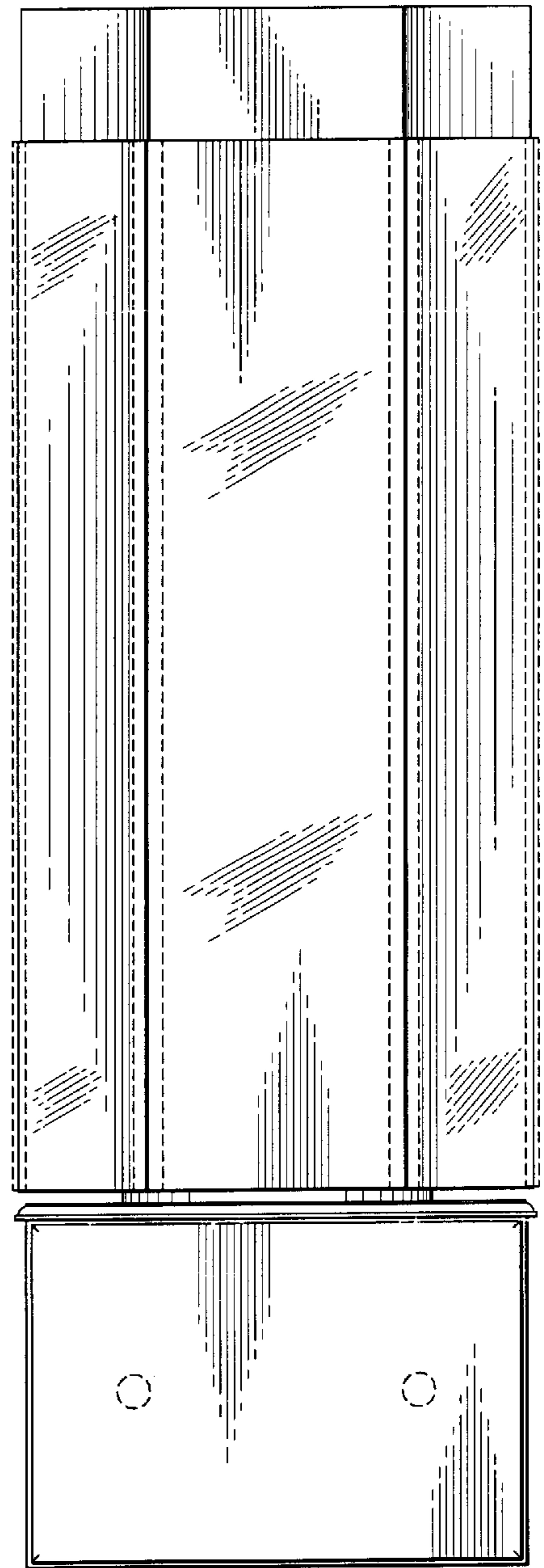
D37,304 S	*	1/1905	Palmer	.....	D6/455
D108,034 S	*	1/1938	Reinecke	.....	D6/470
D130,995 S	*	1/1942	Mayer	.....	D6/455
D188,498 S	*	8/1960	Shears	.....	D6/436
D236,839 S	*	9/1975	Polli	.....	D6/470
D268,385 S	*	3/1983	Sinopoli	.....	D6/407
D335,048 S	*	4/1993	Callon	.....	D6/472
D366,976 S	*	2/1996	Bustos	.....	D6/470

**1 Claim, 2 Drawing Sheets**

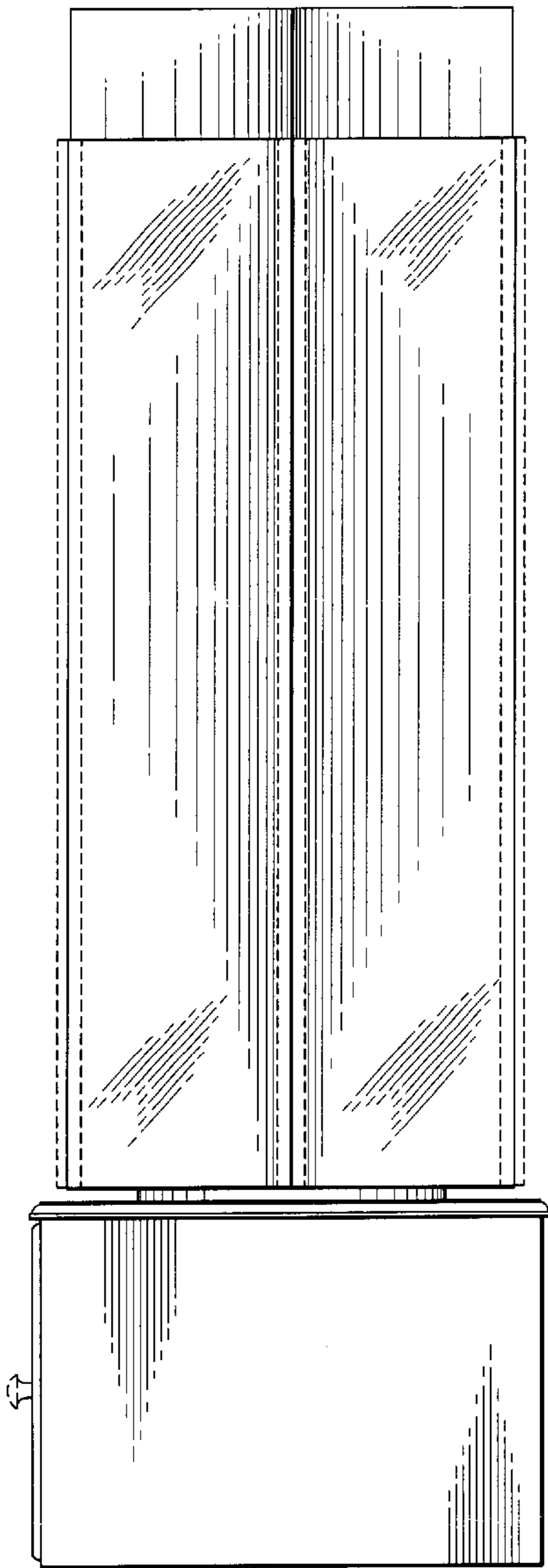




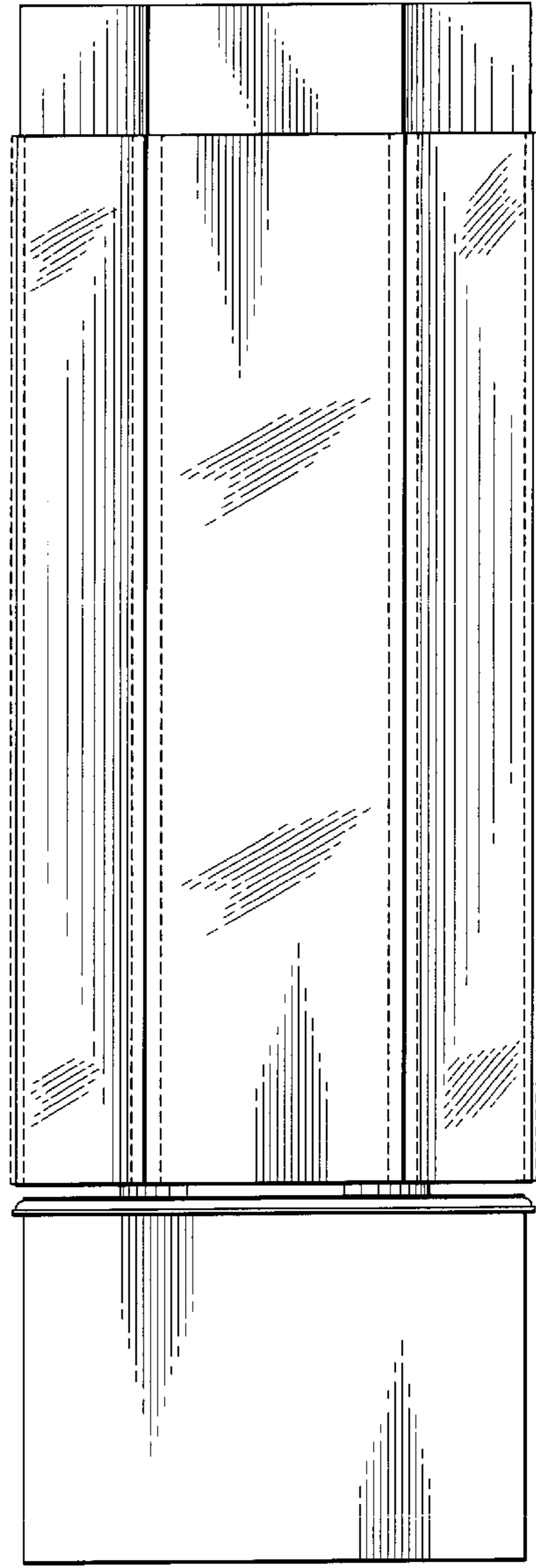
*Fig. 1.*



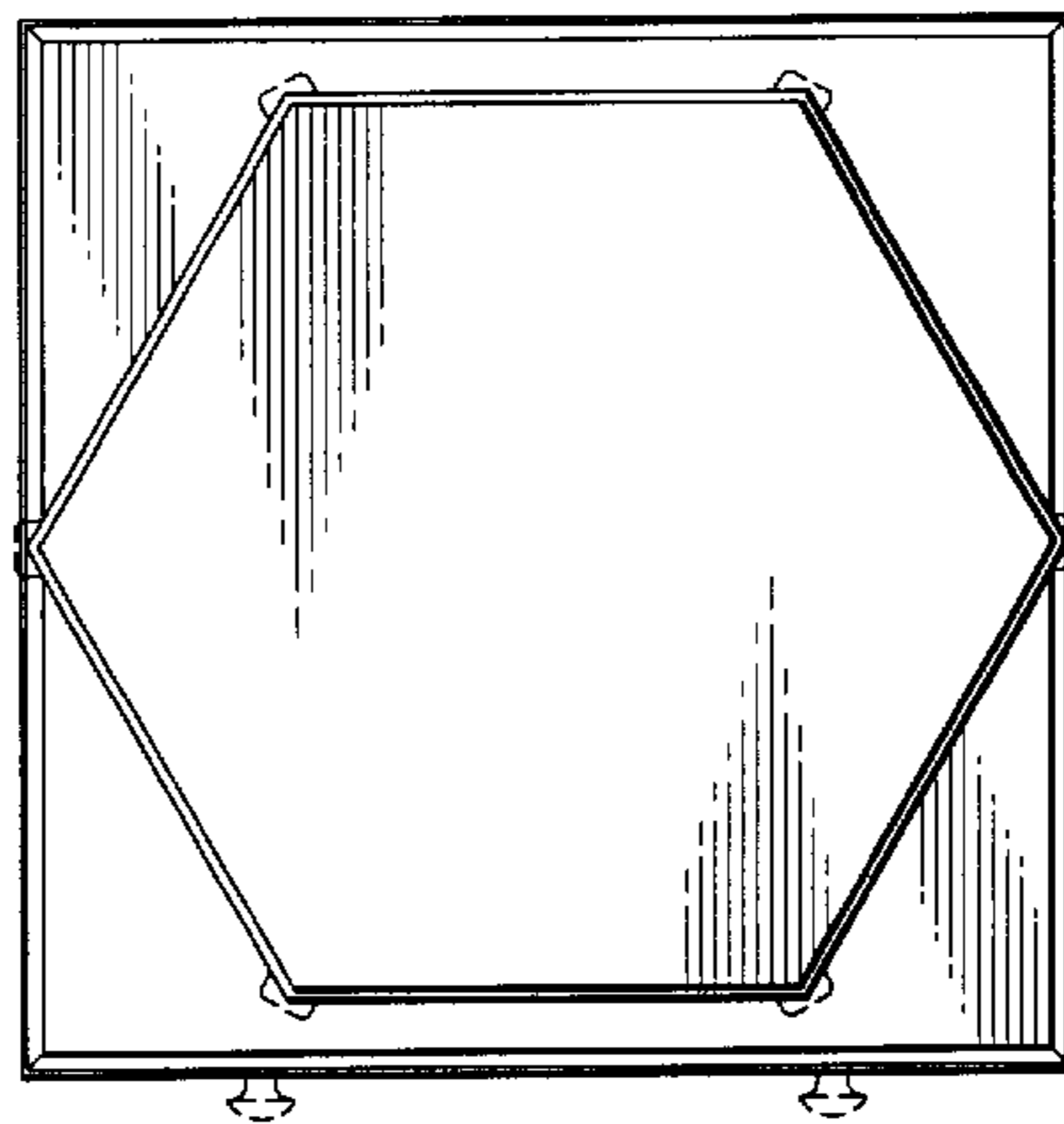
*Fig. 2.*



*Fig. 3.*



*Fig. 4.*



*Fig. 5.*