



US00D457012S

(12) **United States Design Patent**  
**Chang**

(10) **Patent No.:** **US D457,012 S**

(45) **Date of Patent:** **\*\* May 14, 2002**

(54) **DESK**

D447,646 S \* 9/2001 Chang ..... D6/426

(76) Inventor: **Chien-Kuo Chang**, F1. 10-2, No. 447,  
Sec. 3, Wen-Hsin Rd., Taichung (TW)

\* cited by examiner

(\*\*) Term: **14 Years**

*Primary Examiner*—Janice E. Seeger

(74) *Attorney, Agent, or Firm*—Rosenberg, Klein & Lee

(21) Appl. No.: **29/143,451**

(57) **CLAIM**

(22) Filed: **Jun. 15, 2001**

The ornamental design for a desk, as shown and described.

(51) **LOC (7) Cl.** ..... **06-04**

**DESCRIPTION**

(52) **U.S. Cl.** ..... **D6/426**

FIG. 1 is a perspective view of desk showing my new design;

(58) **Field of Search** ..... D6/422-428, 484,  
D6/465, 474, 477, 479; 312/194-196, 208.1,  
239; 108/50.01, 50.02, 91, 92, 95, 97

FIG. 2 is a front elevational view thereof;

FIG. 3 is a rear elevational view thereof;

FIG. 4 is a left side elevational view thereof;

FIG. 5 is a right side elevational view thereof;

FIG. 6 is a top side elevational view thereof; and,

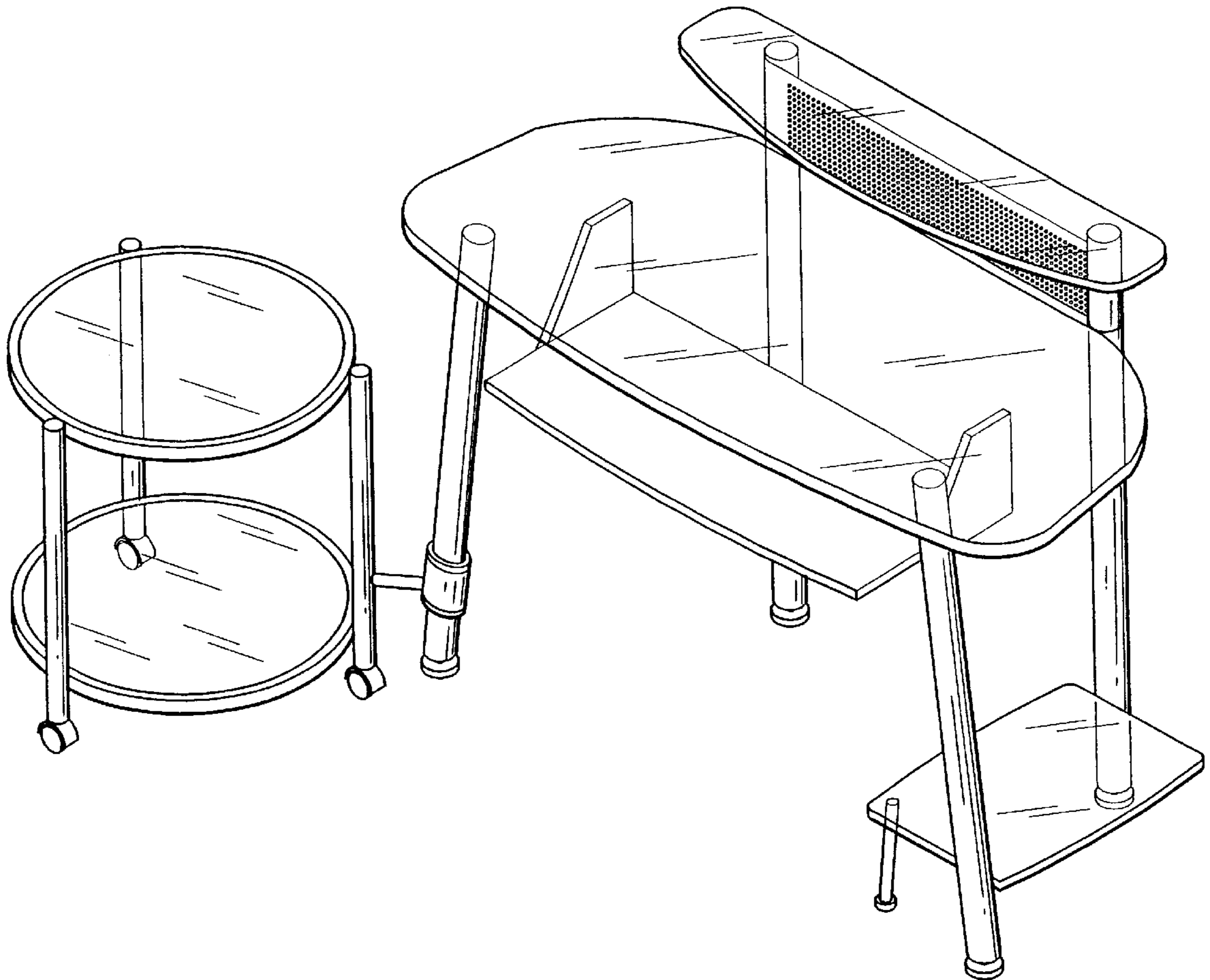
FIG. 7 is a bottom side elevational view thereof.

(56) **References Cited**

**U.S. PATENT DOCUMENTS**

- D339,257 S \* 9/1993 Scharer et al. .... D6/474
- D426,085 S \* 6/2000 Shu-Fen ..... D6/426
- D443,154 S \* 6/2001 Wang ..... D6/426

**1 Claim, 6 Drawing Sheets**



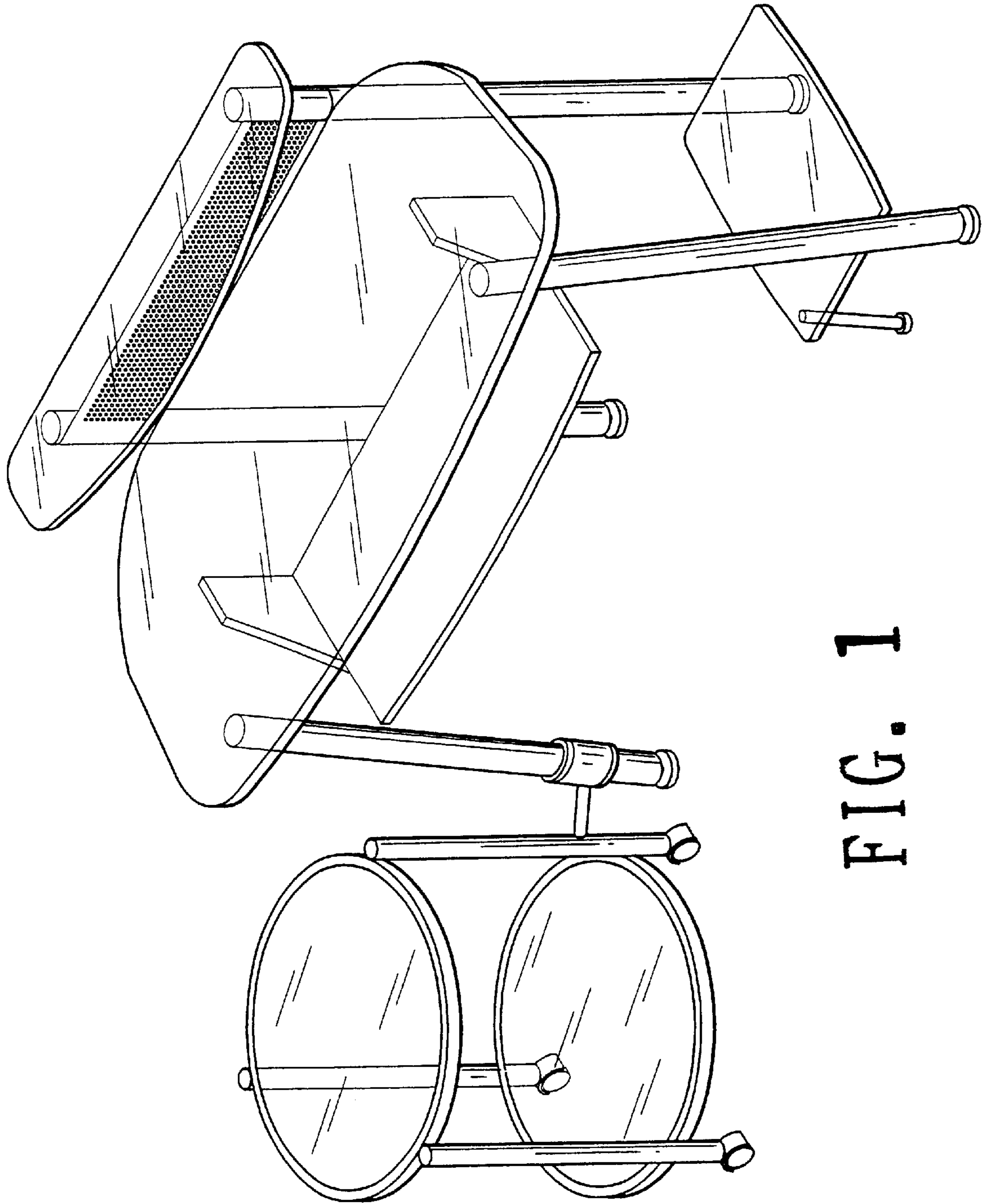


FIG. 1

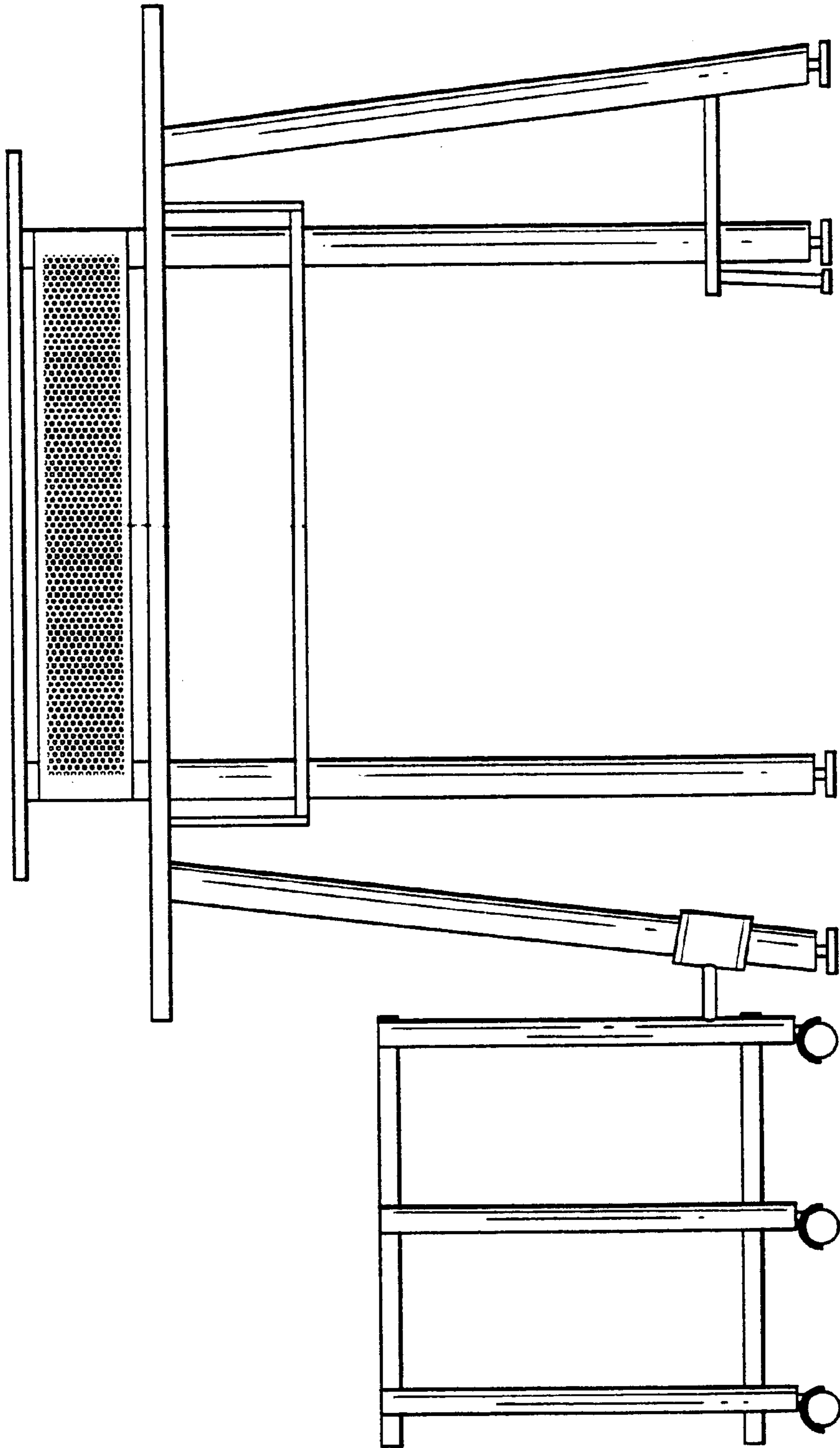


FIG. 2

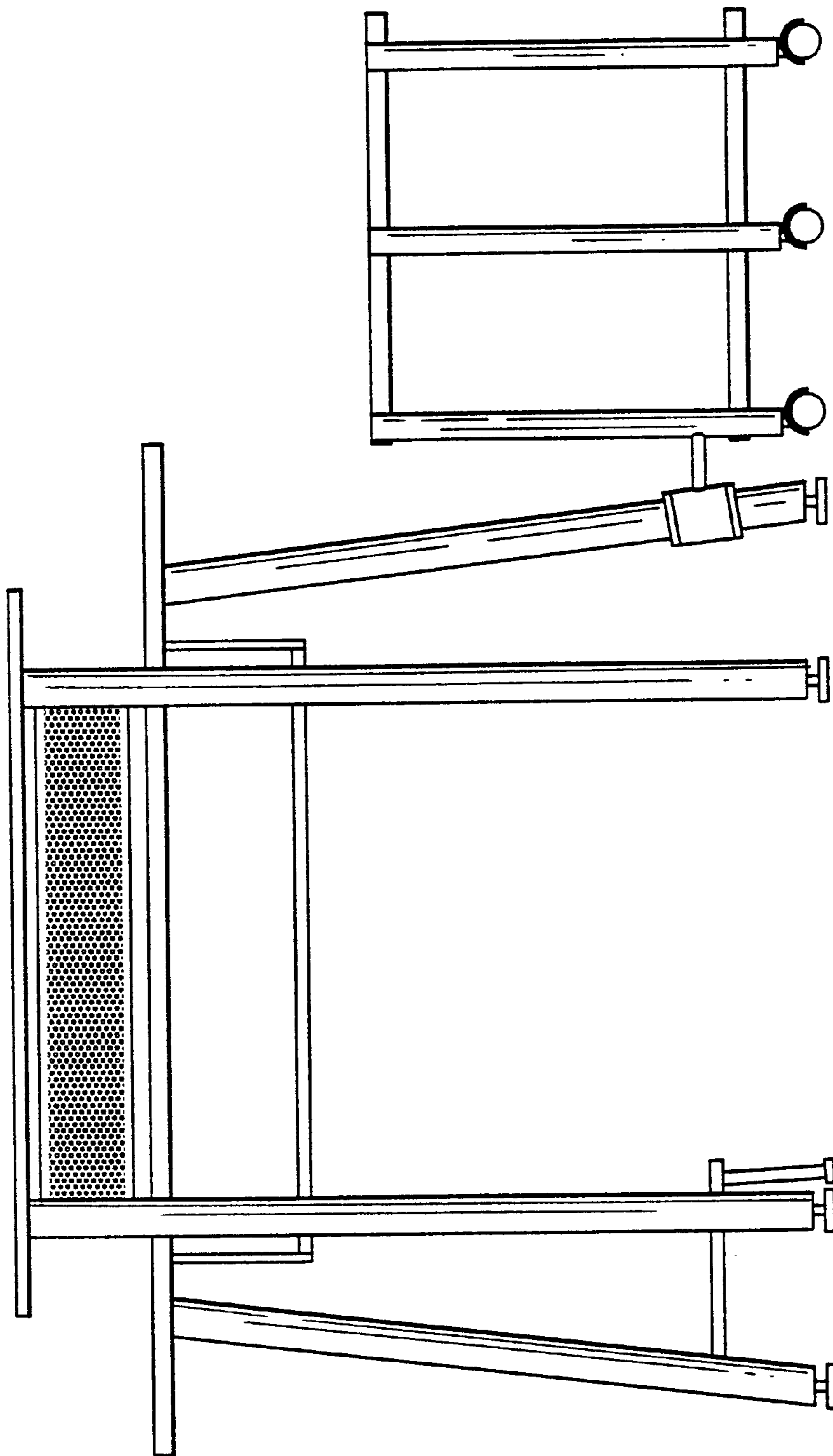


FIG. 3

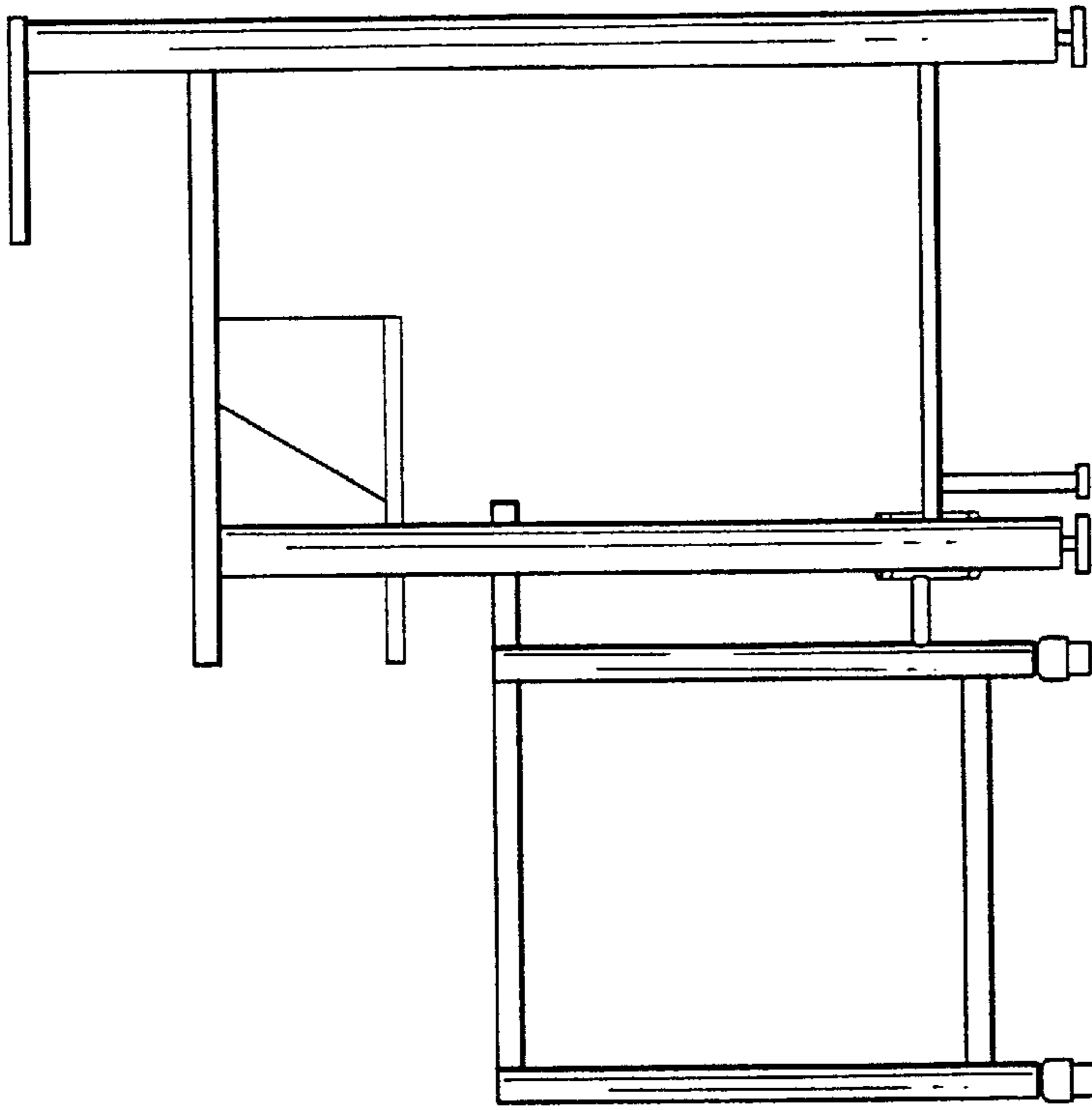


FIG. 5

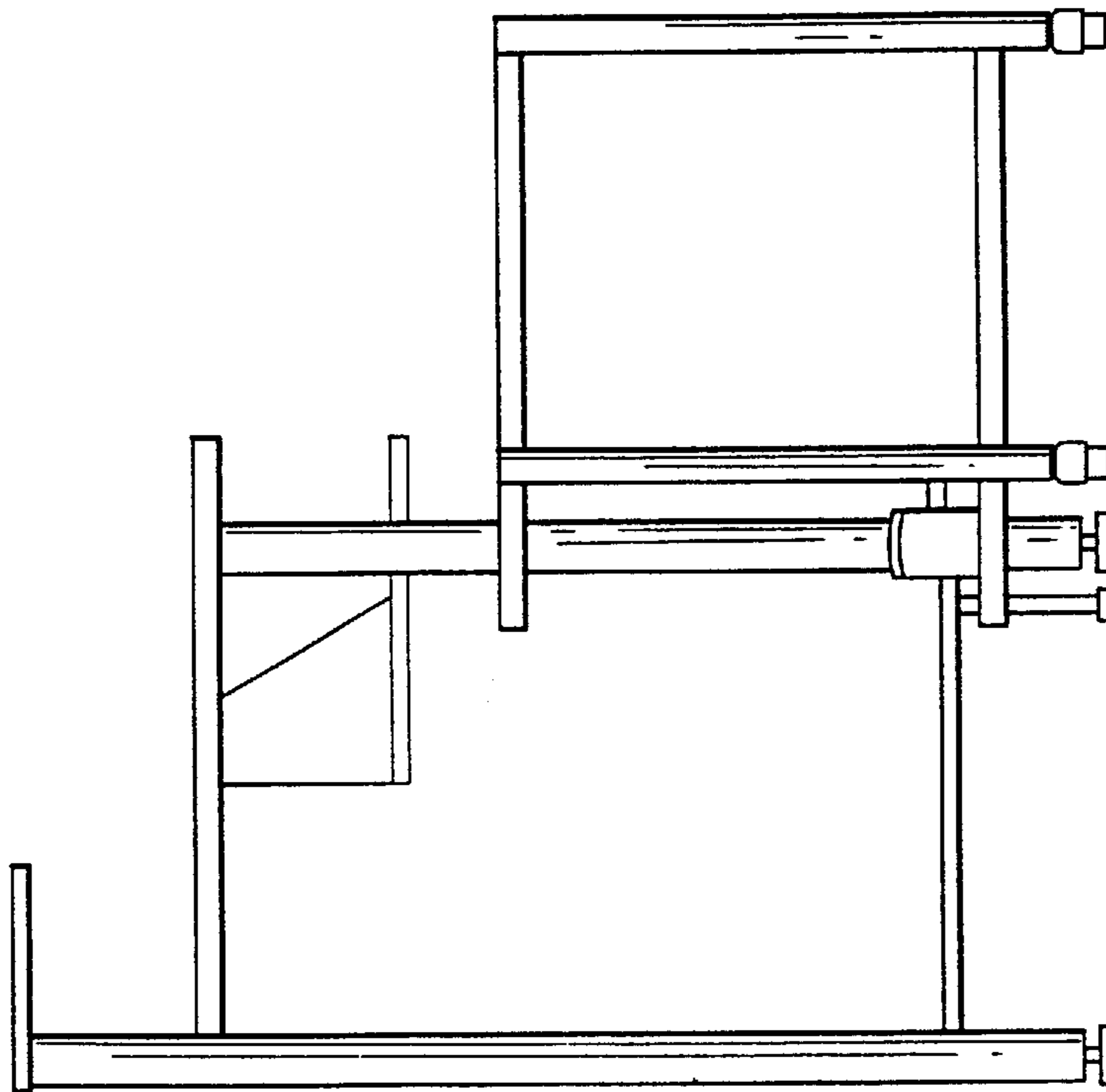


FIG. 4

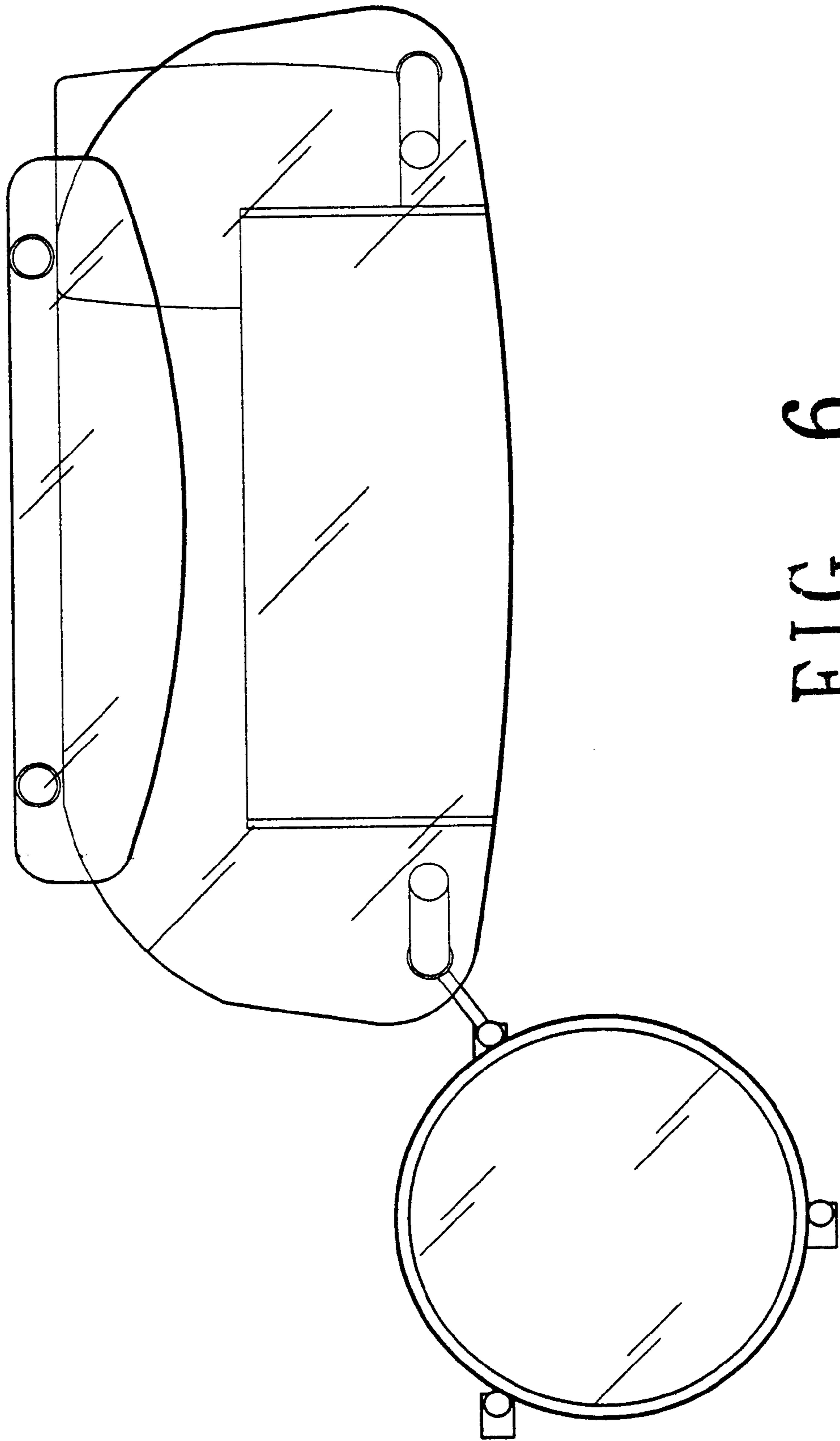


FIG. 6

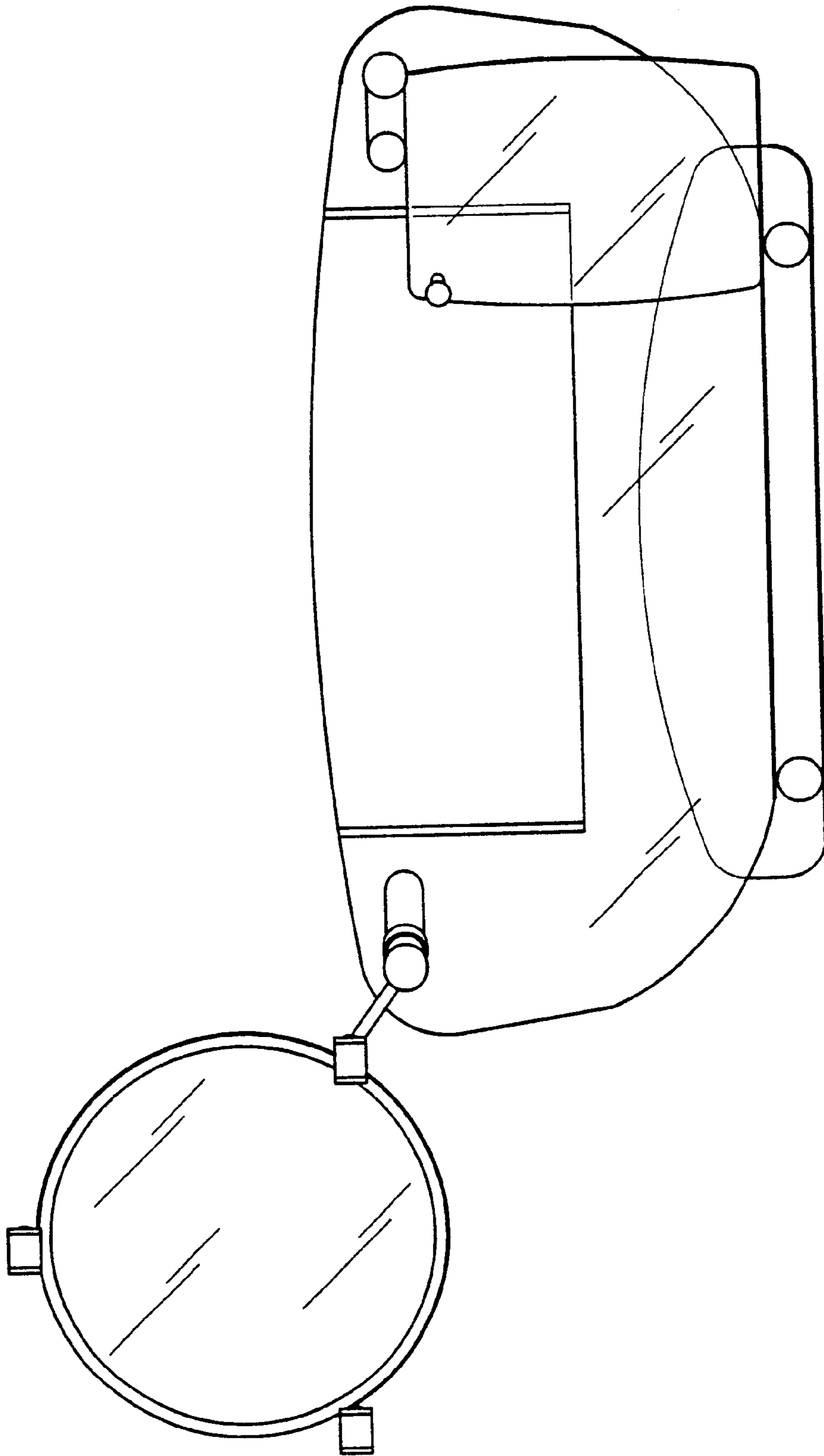


FIG. 7