



US00D457011S

(12) **United States Design Patent**
Wenner et al.

(10) **Patent No.:** **US D457,011 S**

(45) **Date of Patent:** **** May 14, 2002**

(54) **FOLDING LECTERN**

(75) Inventors: **Russell A. Wenner**, Perkiomenville, PA (US); **Kermit D. Junkert**, Cottage Grove, MN (US)

(73) Assignee: **Schulmerich Carillons, Inc.**, Sellersville, PA (US)

(**) Term: **14 Years**

(21) Appl. No.: **29/125,171**

(22) Filed: **Jun. 20, 2000**

(51) **LOC (7) Cl.** **06-06**

(52) **U.S. Cl.** **D6/419**

(58) **Field of Search** D6/419, 420, 300, D6/310-312, 314; D19/91, 88; 248/441.1, 444.1, 445, 450, 460, 463

(56) **References Cited**

U.S. PATENT DOCUMENTS

2,640,294	A	6/1953	Walzak	45/121
3,007,278	A	* 11/1961	Million	D19/91
3,343,776	A	9/1967	Wieszeczek	248/441
D218,890	S	10/1970	Kreminski	D19/1
3,550,895	A	12/1970	Guiles	248/459
4,213,520	A	7/1980	Sarna et al.	190/16
D262,978	S	2/1982	Nagley	D19/91
D271,501	S	11/1983	Manning et al.	D19/91
4,466,593	A	8/1984	Odenath	248/455
4,467,727	A	8/1984	Strommer	108/23
D278,496	S	* 4/1985	Hausman	D6/310
4,544,123	A	10/1985	Peacock	248/460
D296,843	S	* 7/1988	Jessop	D6/314
D320,319	S	10/1991	Brothers et al.	D6/419

OTHER PUBLICATIONS

“New Dimensions Folding Lecterns, Model FFL Folding Floor Lectern, Model FTL Folding Table Lectern, Model ADA1 Mobility-Impaired Lectern”; Sound-Craft Systems,

Inc., Morrilton, AR; <http://www.sound-craftsystems.com/Scmain/carpet/ffl.htm>; pp. 1-3; Nov. 19, 1999.

“Tabletop Lectern, Vertiflex 50058”; Sirco Manufacturing, Inc., Missoula, MO; <http://store.yahoo.com/oiooffice/vrt50058.html>; pp. 1-2; Nov. 19, 1999; <http://store.yahoo.com/sirco/tablec.html>; p. 1; Nov. 19, 1999.

“Tabletop Lectern (Folding)” and “Folding Floor Lectern”; Tower Stool Company, http://sdibi.northern.edu/stool/sto_6.htm; pp. 1-2; Nov. 19, 1999.

* cited by examiner

Primary Examiner—Janice E. Seeger

(74) *Attorney, Agent, or Firm*—Woodcock Washburn LLP

(57) **CLAIM**

The ornamental design for a folding lectern, as shown and described.

DESCRIPTION

FIG. 1 is a perspective view of a folding lectern, showing my new design;

FIG. 2 is a perspective view, showing a second embodiment of my new design;

FIG. 3 is a perspective view, showing a third embodiment of my new design;

FIG. 4 is a perspective view showing the first embodiment in exploded condition;

FIG. 5 is a perspective view of the base of the first embodiment showing the folding aspect of the base for convenience of illustration;

FIG. 6 is a front elevational view thereof;

FIG. 7 is a top plan view thereof;

FIG. 8 is a rear elevational view thereof; and,

FIG. 9 is a side elevational view, the opposite side being a mirror image thereof.

The broken lines are shown in the views for illustrative purposes only and form no part of the claimed design.

1 Claim, 7 Drawing Sheets

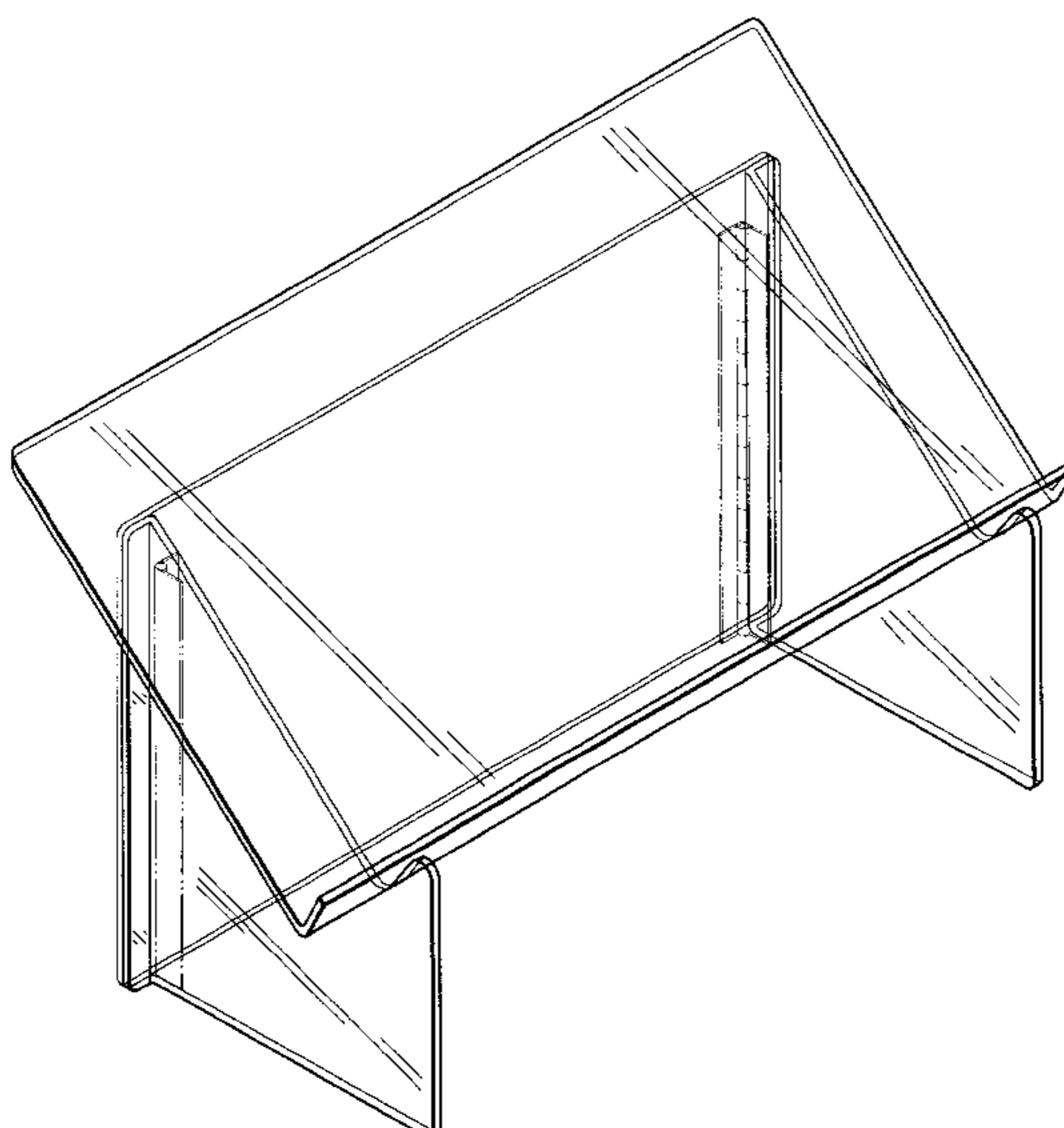


FIG. 1

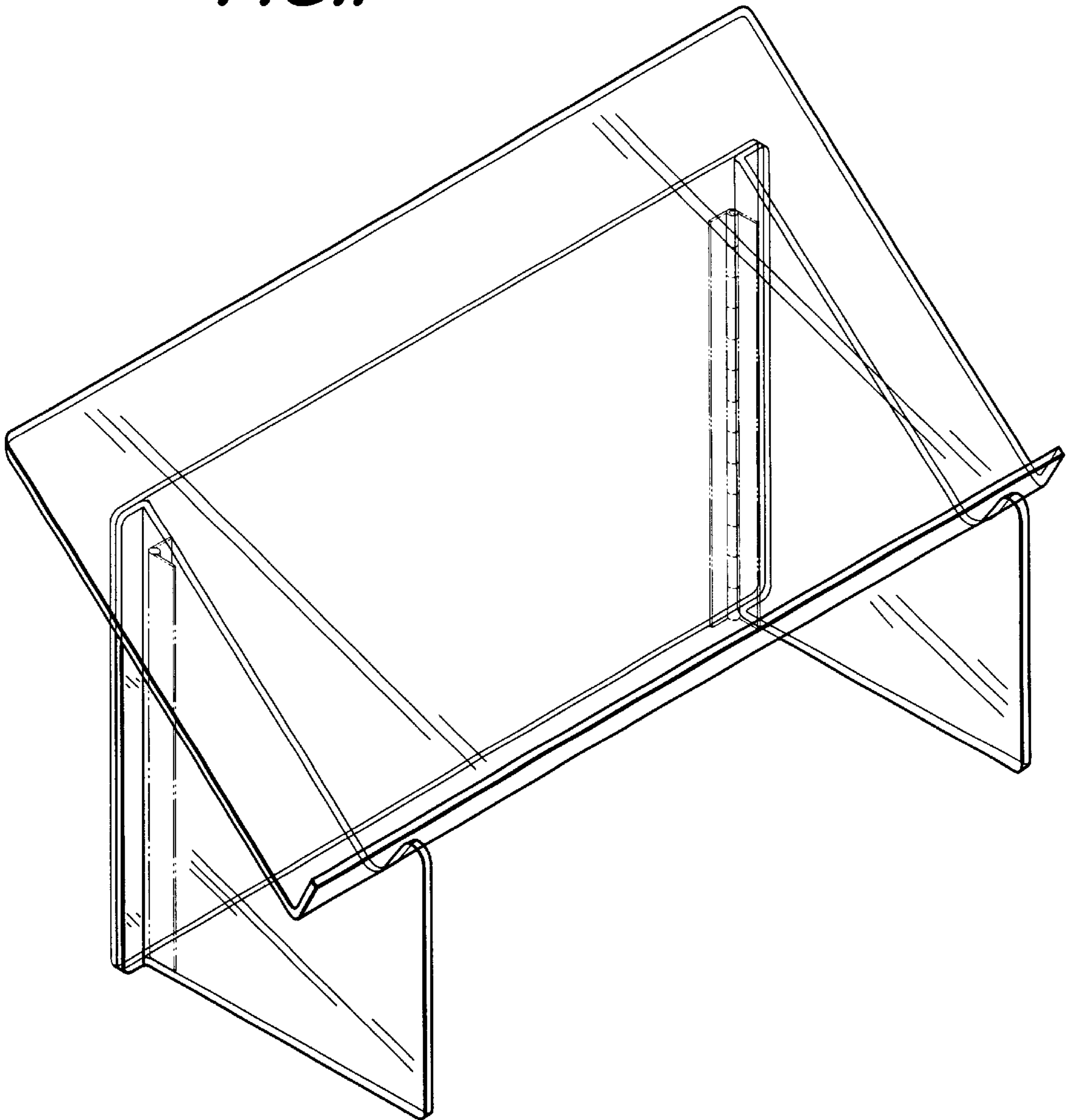


FIG. 2

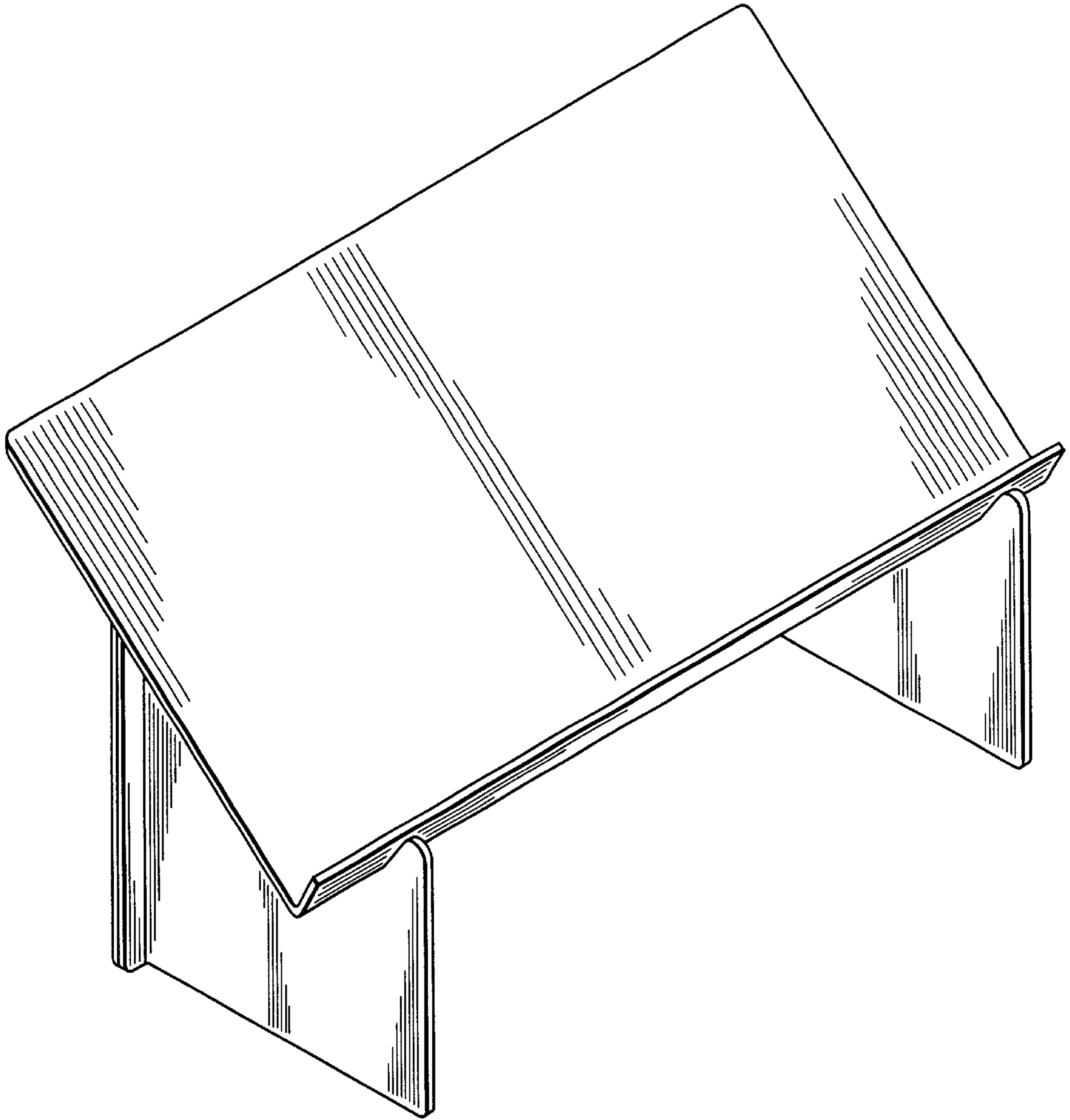
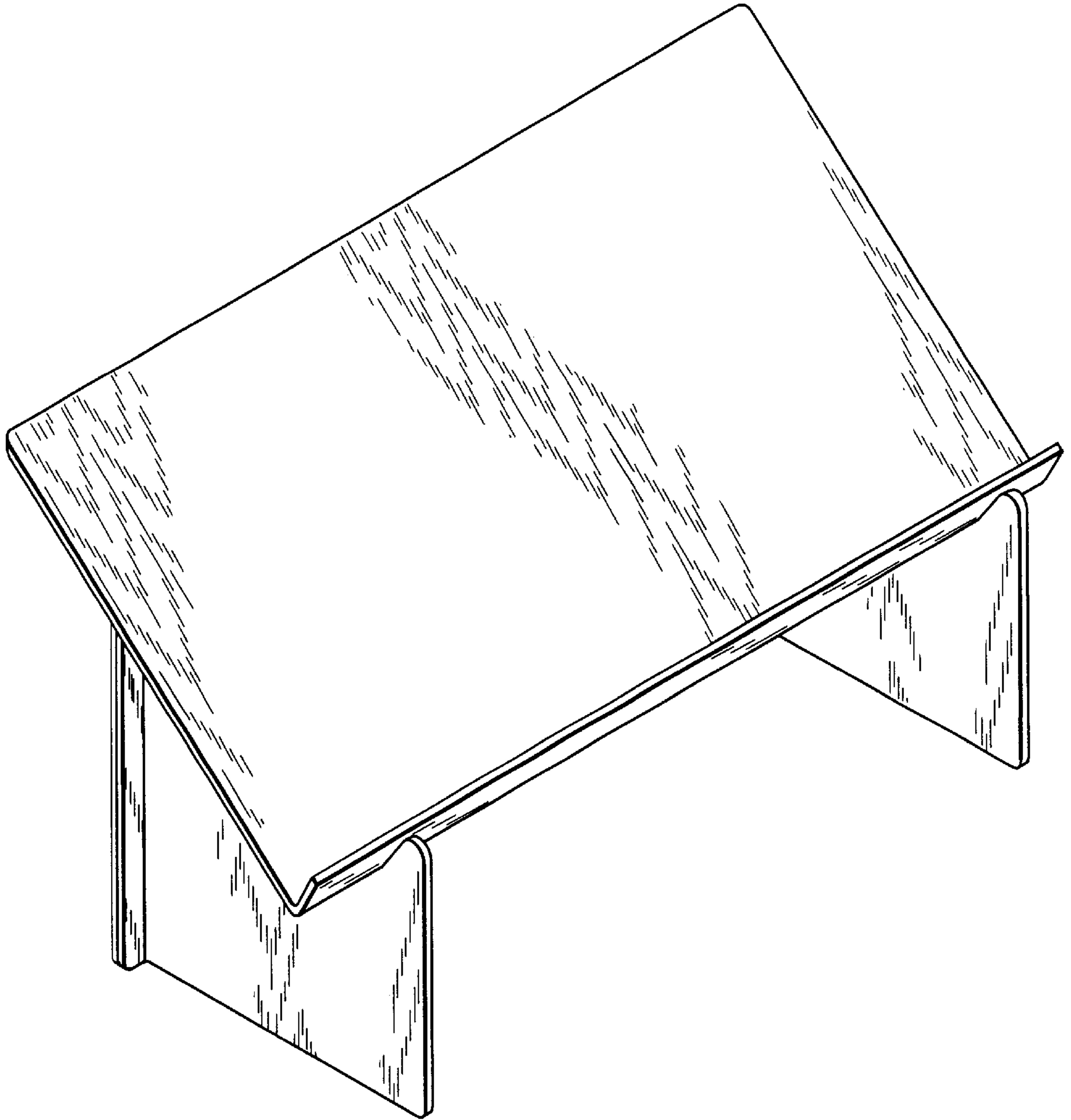


FIG. 3



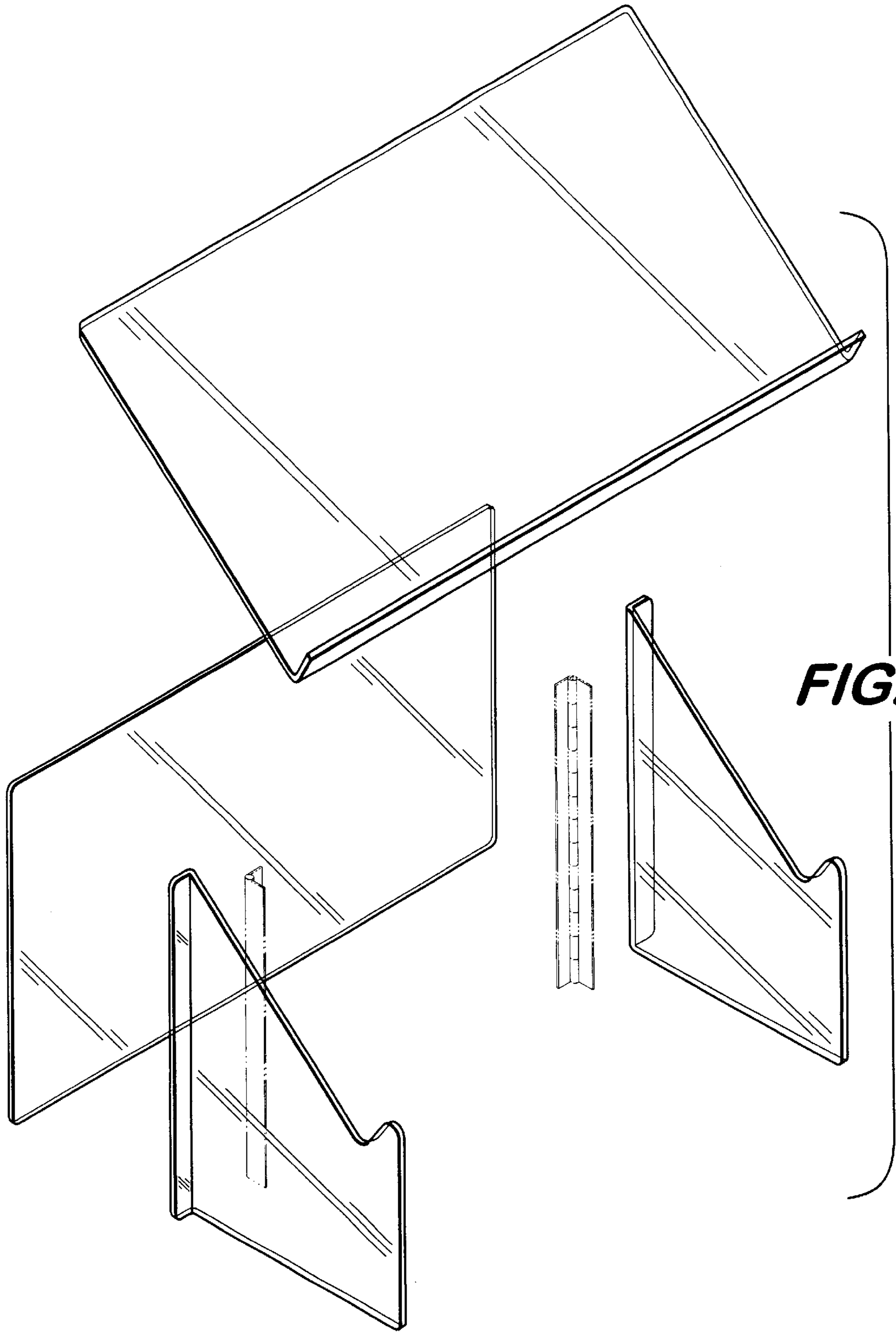


FIG. 4

FIG. 5

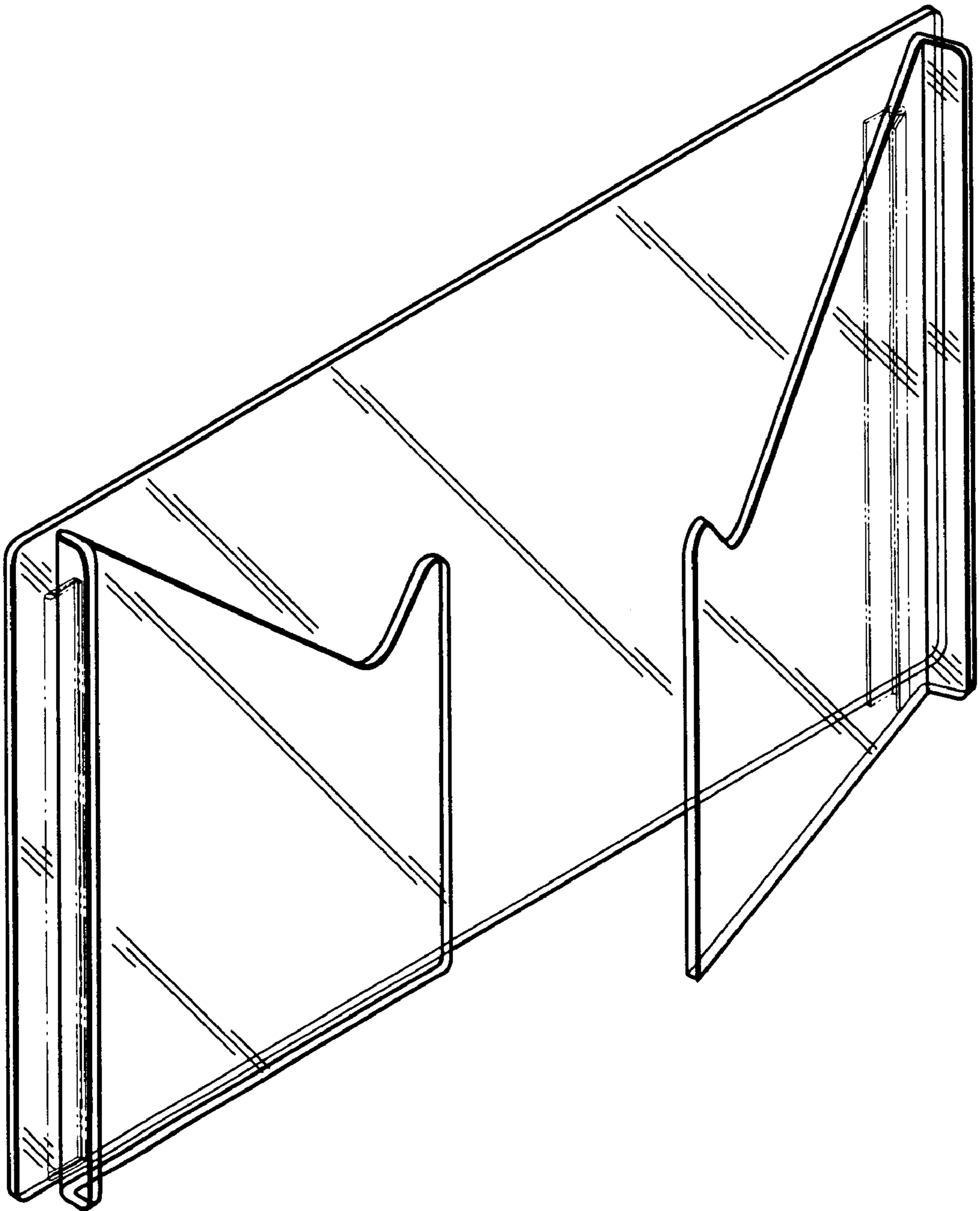


FIG. 6

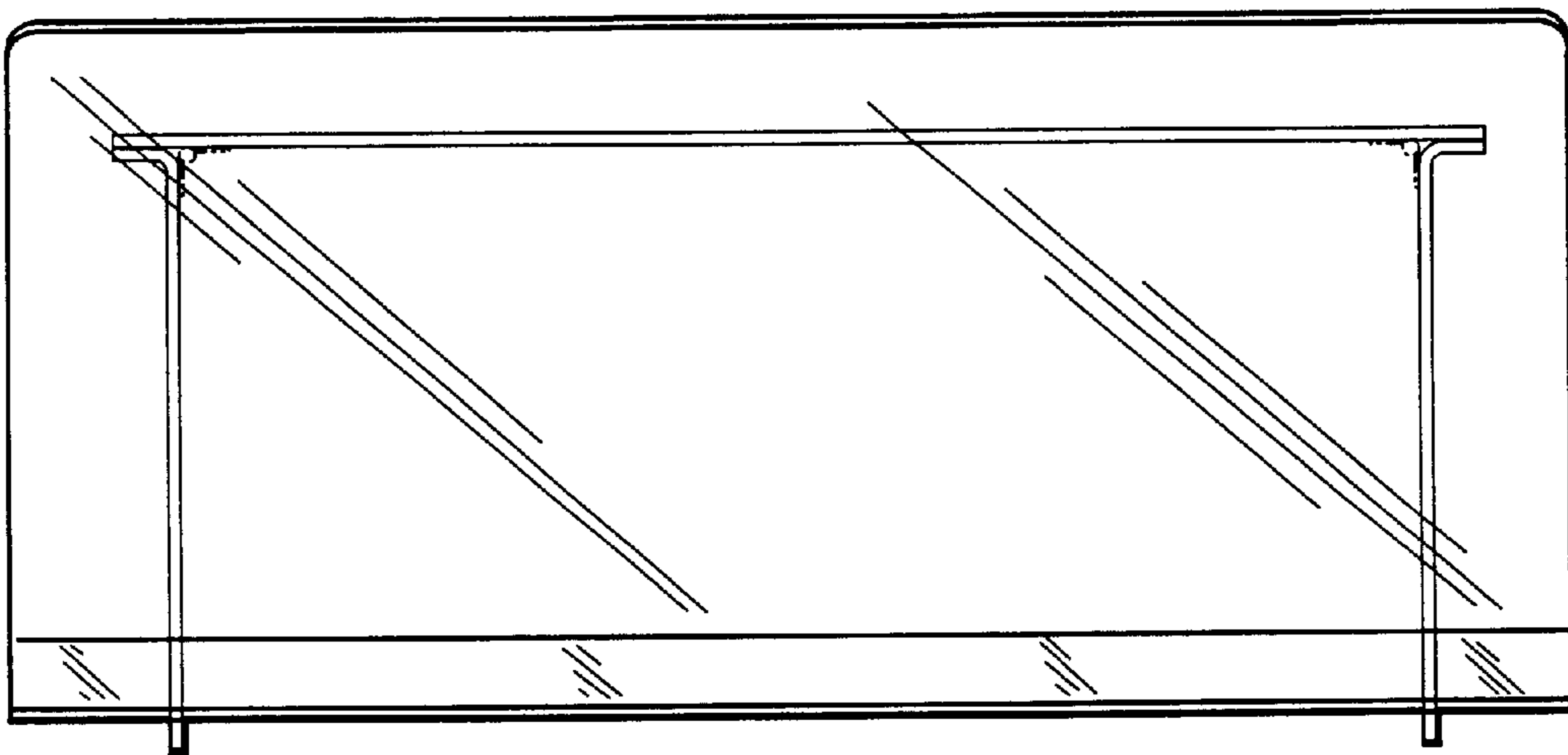
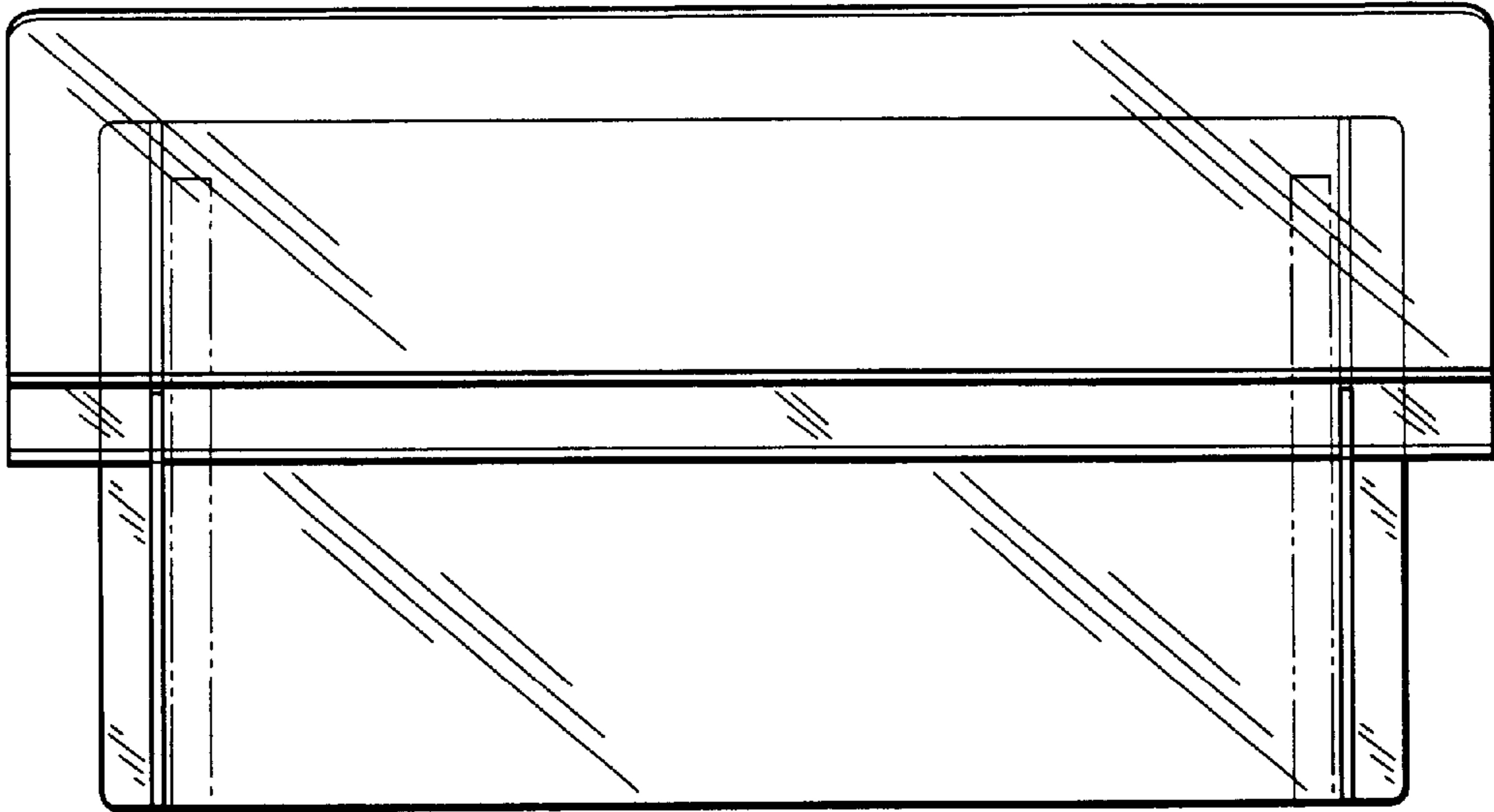


FIG. 7

FIG. 8

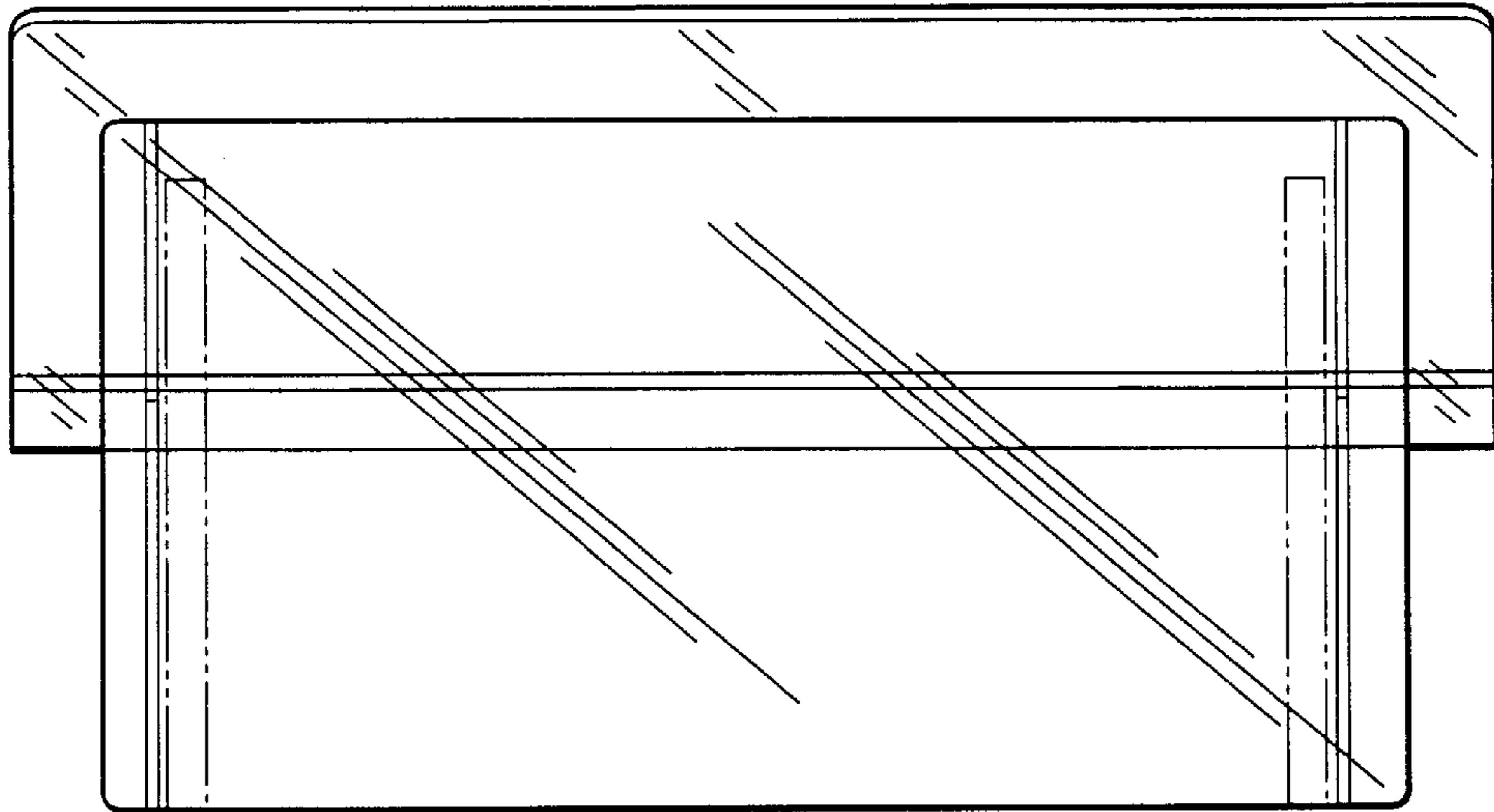


FIG. 9

