



US00D457010S

(12) **United States Design Patent**
Flores, Jr. et al.

(10) **Patent No.:** **US D457,010 S**

(45) **Date of Patent:** **** May 14, 2002**

(54) **OPTICAL DISC CONTAINER**

(75) **Inventors:** **Victorio T. Flores, Jr.**, 28415 San Nicolas Dr., Rancho Palos Verdes, CA (US) 90275; **Victorio M. Flores, III**, 1407 Brett Pl., Unit 203, San Pedro, CA (US) 90732; **Ernst C. Benjamins**, Covina, CA (US)

(73) **Assignees:** **Victorio T. Flores, Jr.**, Rancho Palos Verdes; **Victorio M. Flores, III**, San Pedro, both of CA (US)

(**) **Term:** **14 Years**

(21) **Appl. No.:** **29/141,118**

(22) **Filed:** **Apr. 30, 2001**

(51) **LOC (7) Cl.** **06-04**

(52) **U.S. Cl.** **D6/407; D6/626; D6/627**

(58) **Field of Search** **D3/201, 218; D6/407, D6/626-635; D14/121; D19/26, 27, 32; 206/307.1, 308.1, 308.2, 308.3, 309, 311, 312, 387.11, 387.13, 387.15; 369/37, 75.2, 291; 379/355**

(56) **References Cited**

U.S. PATENT DOCUMENTS

D293,507 S	*	1/1988	Ogusu	D14/121
5,299,186 A	*	3/1994	Tsurushima	206/308.1
5,462,158 A	*	10/1995	Kramer	206/307
5,593,030 A	*	1/1997	Tell	206/308.1
5,634,559 A	*	6/1997	Foos et al.	206/518

5,651,458 A	*	7/1997	Brosmith et al.	206/308.1
D385,145 S	*	10/1997	VerWeyst et al.	D6/632
D386,013 S	*	11/1997	Tell	D6/407
5,799,784 A	*	9/1998	Bosworth	206/308.1
5,819,926 A	*	10/1998	O'Brien et al.	206/308.1
D406,703 S	*	3/1999	Cole Sr.	D6/407
5,896,986 A	*	4/1999	Bologna et al.	206/310
D420,832 S	*	2/2000	Cole, Sr.	D6/407
D426,721 S	*	6/2000	Benden, Jr. et al.	D6/407
6,085,900 A	*	7/2000	Wong	206/308.1
D430,424 S	*	9/2000	Belden, Jr. et al.	D6/407
6,123,192 A	*	9/2000	Rufo, Jr.	206/310
D431,955 S	*	10/2000	Peterson et al.	D6/632
6,168,015 B1	*	1/2001	Shimizu	206/308.1

* cited by examiner

Primary Examiner—Celia Murphy

(74) *Attorney, Agent, or Firm*—Christie, Parker & Hale, LLP

(57) **CLAIM**

The ornamental design for an optical disc container, as shown and described.

DESCRIPTION

FIG. 1 is a perspective view of an optical disc container showing our new design; FIG. 2 is a top plan view thereof; FIG. 3 is a bottom plan view thereof; FIG. 4 is a front elevational view thereof, the back elevational view being identical; and, FIG. 5 is a side elevational view thereof, the opposite side elevational view being identical.

1 Claim, 3 Drawing Sheets

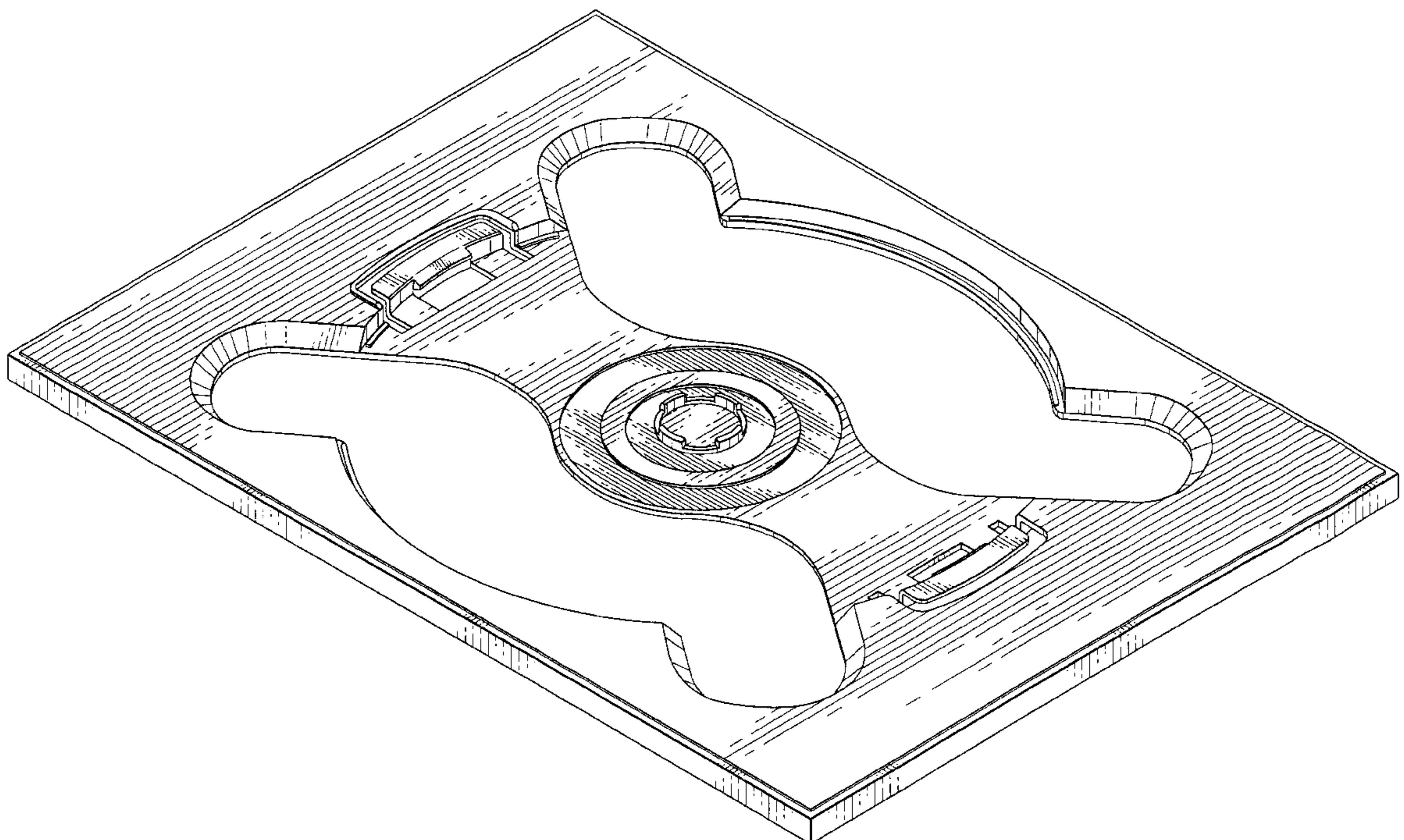


FIG. 1

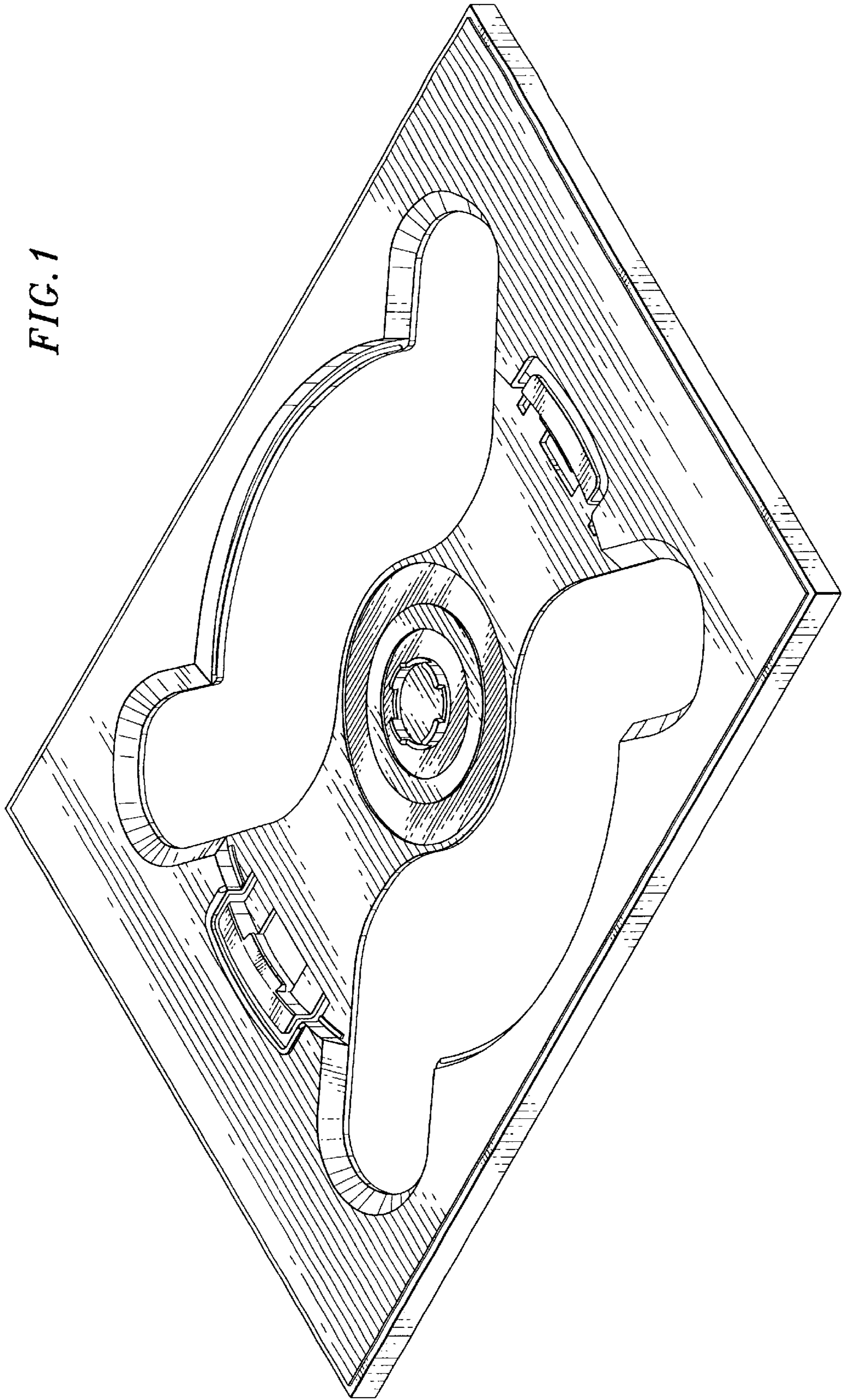


FIG. 2

FIG. 5

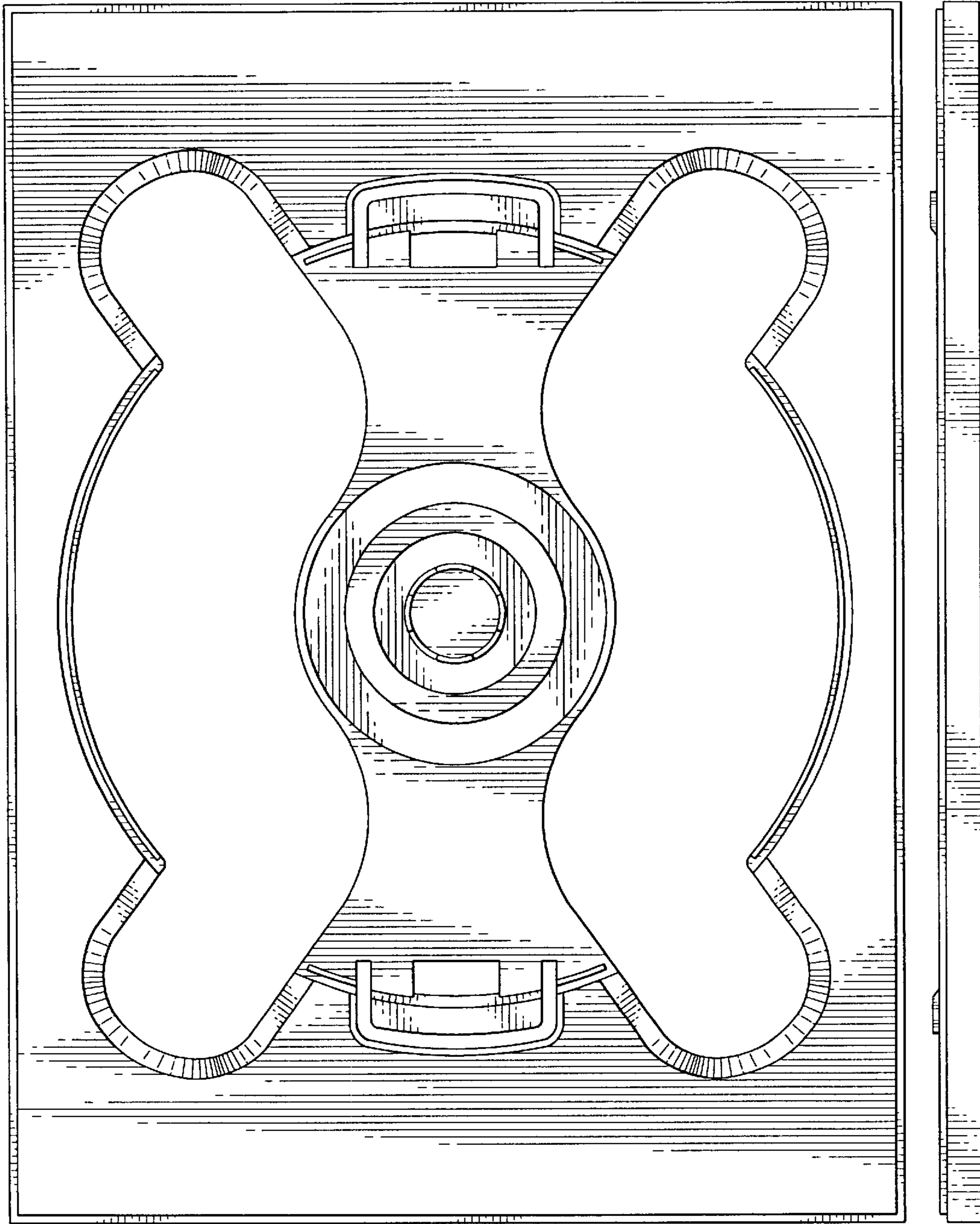


FIG. 4



FIG. 3

