



US00D457006S

(12) **United States Design Patent**
Ooyama

(10) **Patent No.:** **US D457,006 S**

(45) **Date of Patent:** **** May 14, 2002**

(54) **SEAT FOR BARBER OR BEAUTY CHAIR**

D444,326 S * 7/2001 Minami D6/500
D444,636 S * 7/2001 Ooyama D6/360

(75) Inventor: **Kazuo Ooyama, Osaka (JP)**

FOREIGN PATENT DOCUMENTS

(73) Assignee: **Oohiro Works, Ltd. (JP)**

JP 1102010 12/2000

(**) Term: **14 Years**

* cited by examiner

(21) Appl. No.: **29/141,430**

Primary Examiner—Doris V. Coles

Assistant Examiner—Mimosa De

(22) Filed: **May 4, 2001**

(74) *Attorney, Agent, or Firm*—Wall, Marjama & Bilinski, LLP

(30) **Foreign Application Priority Data**

Nov. 16, 2000 (JP) 2000-032838

(57) **CLAIM**

(51) **LOC (7) Cl.** **06-01**

The ornamental design for a seat for barber or beauty chair, as shown and described.

(52) **U.S. Cl.** **D6/360; D6/360**

(58) **Field of Search** D6/334, 335, 360,
D6/364–367, 374, 375, 379, 380, 500–502;
297/411.2, 411.25, 411.27, 411.28, 411.44,
423.1, 423.19, 423.15

DESCRIPTION

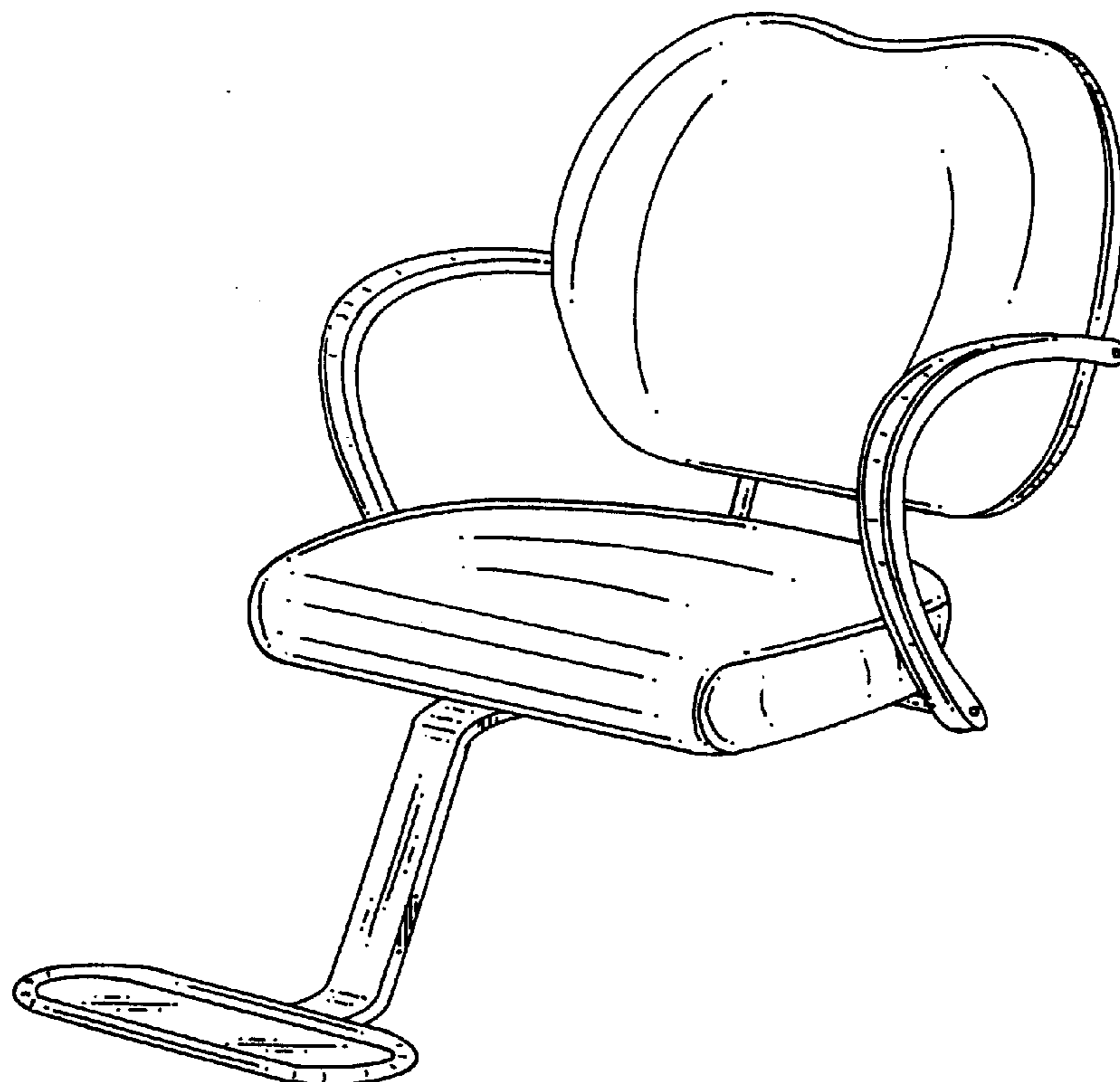
FIG. 1 is a front view of a seat for barber or beauty chair in accordance with my new design;
FIG. 2 is a back view thereof;
FIG. 3 is a right side view thereof, the left side view being a mirror image thereof;
FIG. 4 is a top view thereof;
FIG. 5 is a bottom view thereof; and,
FIG. 6 is a perspective view thereof.

(56) **References Cited**

U.S. PATENT DOCUMENTS

D409,022 S * 5/1999 Vanderwood et al. D6/500
D425,715 S * 5/2000 Breen D6/366
D430,434 S * 9/2000 Ooyama D6/500
D430,983 S * 9/2000 Hirota D6/500

1 Claim, 3 Drawing Sheets



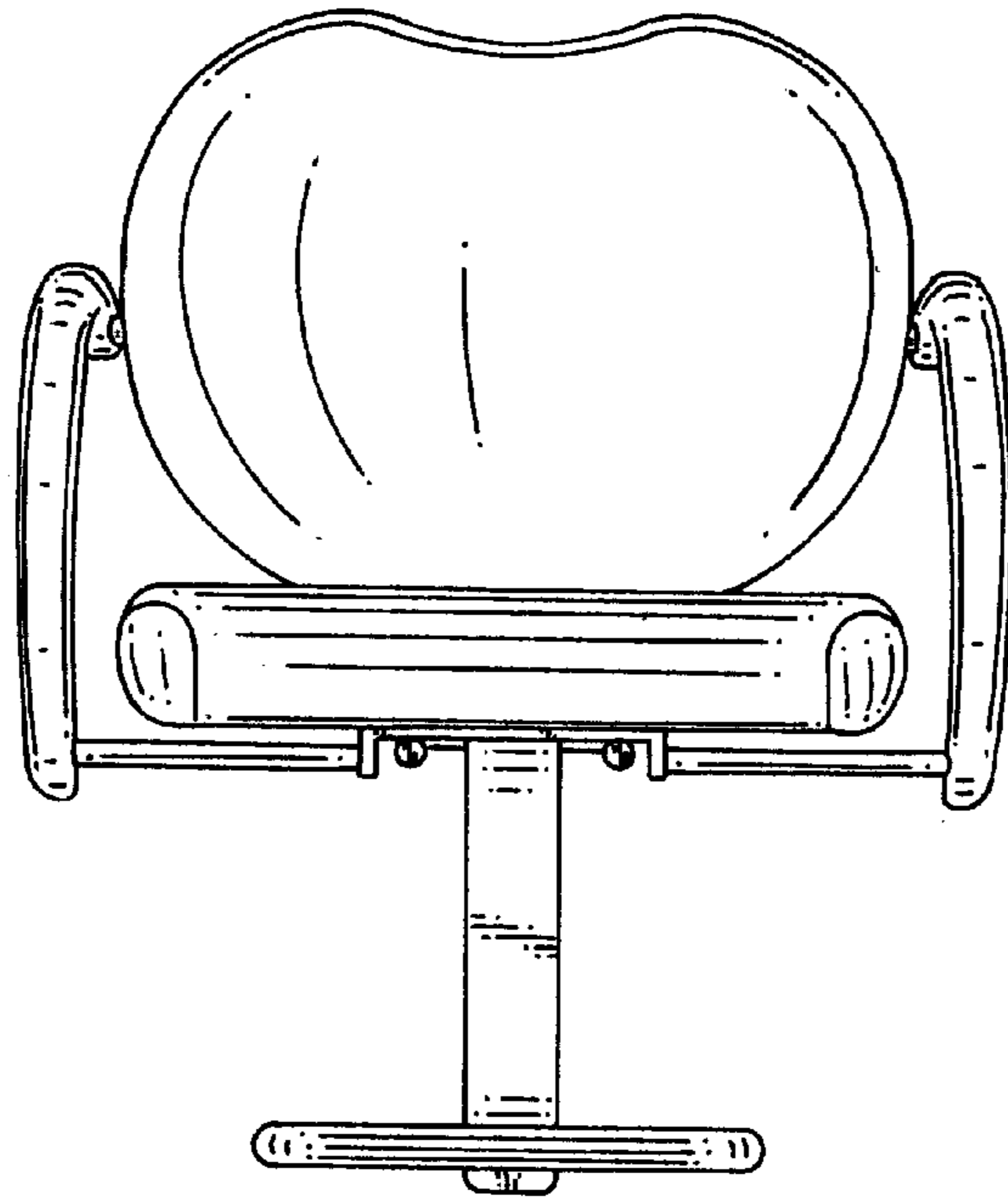


FIG. 1

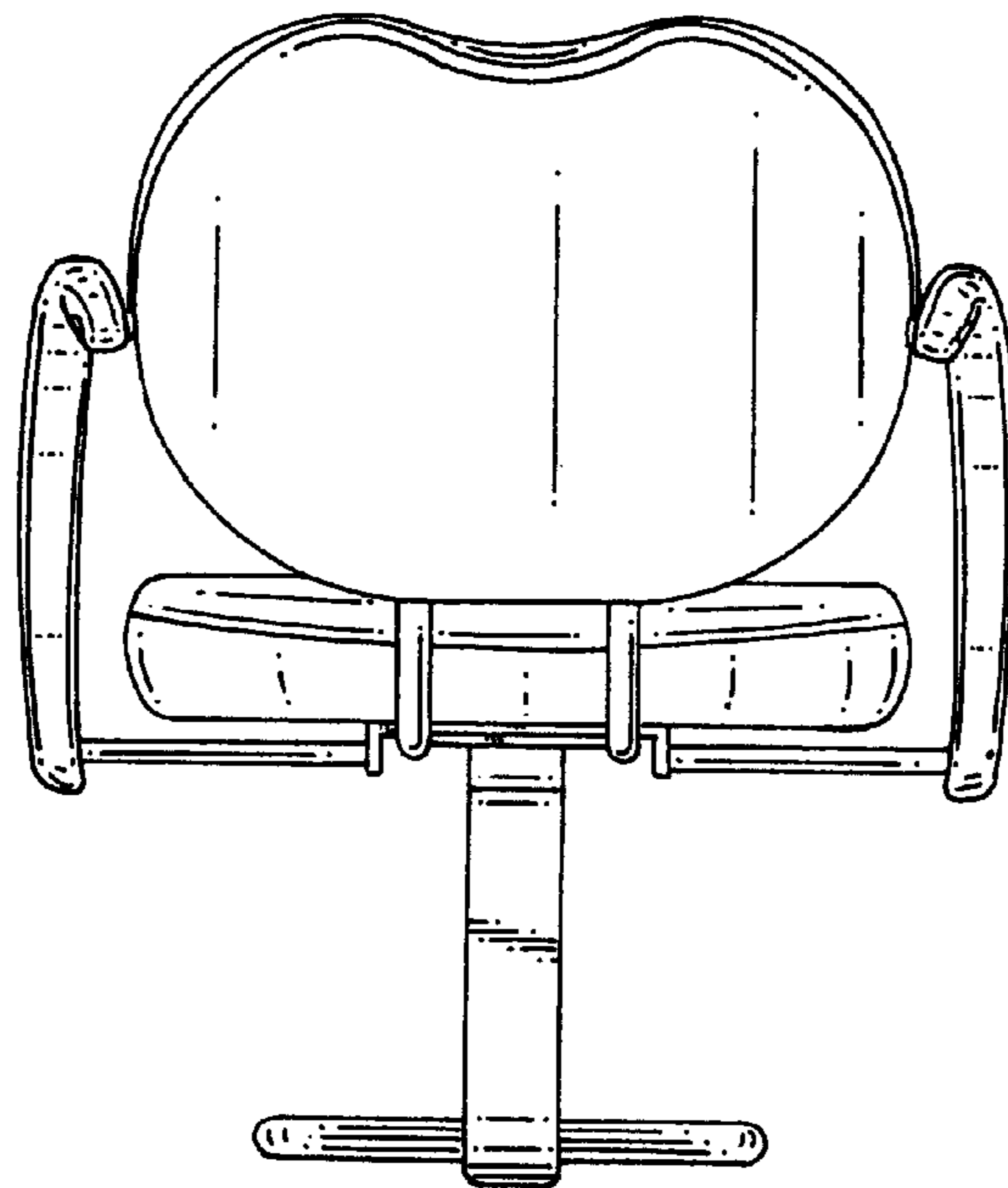


FIG. 2

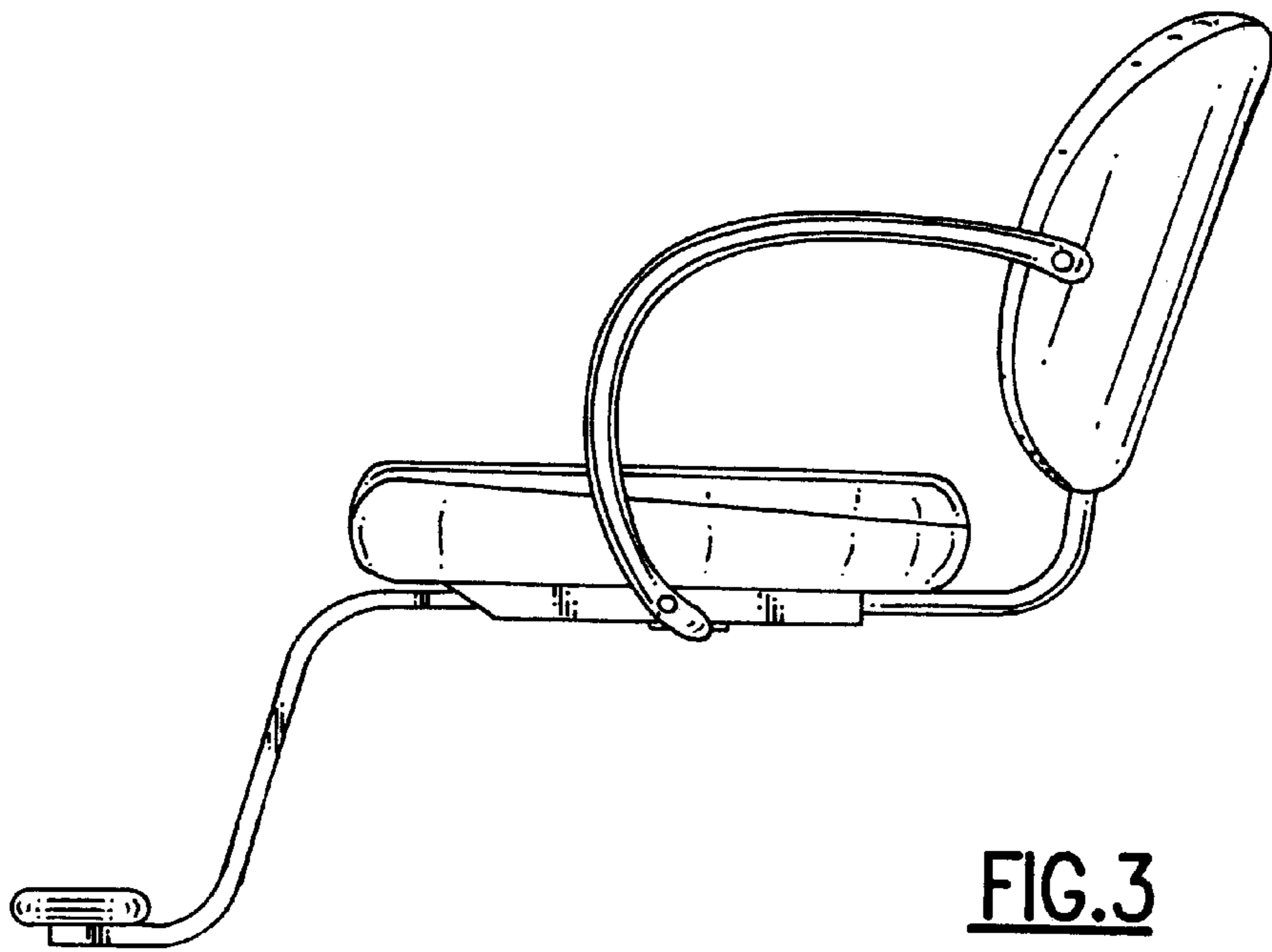


FIG. 3

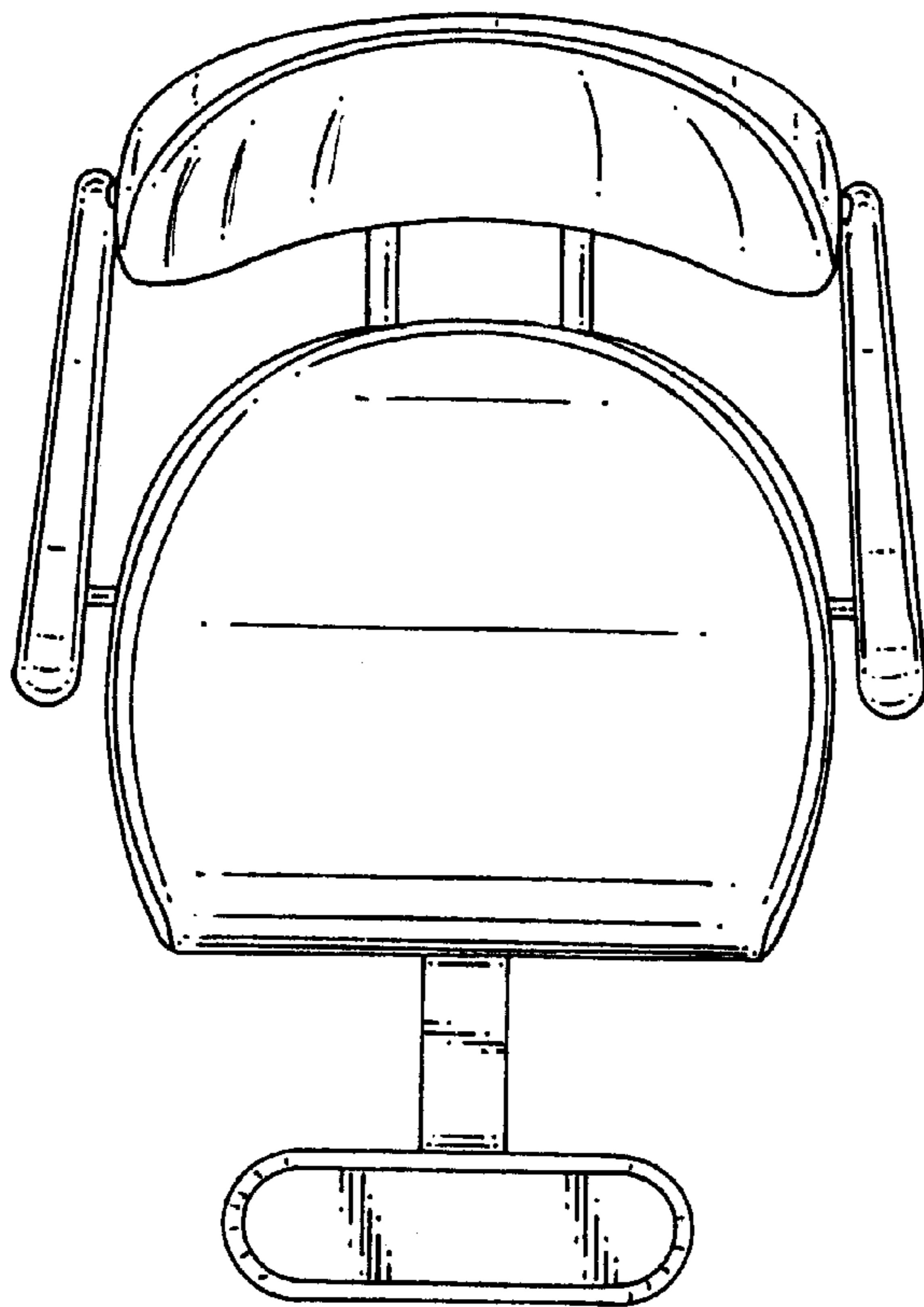


FIG. 4

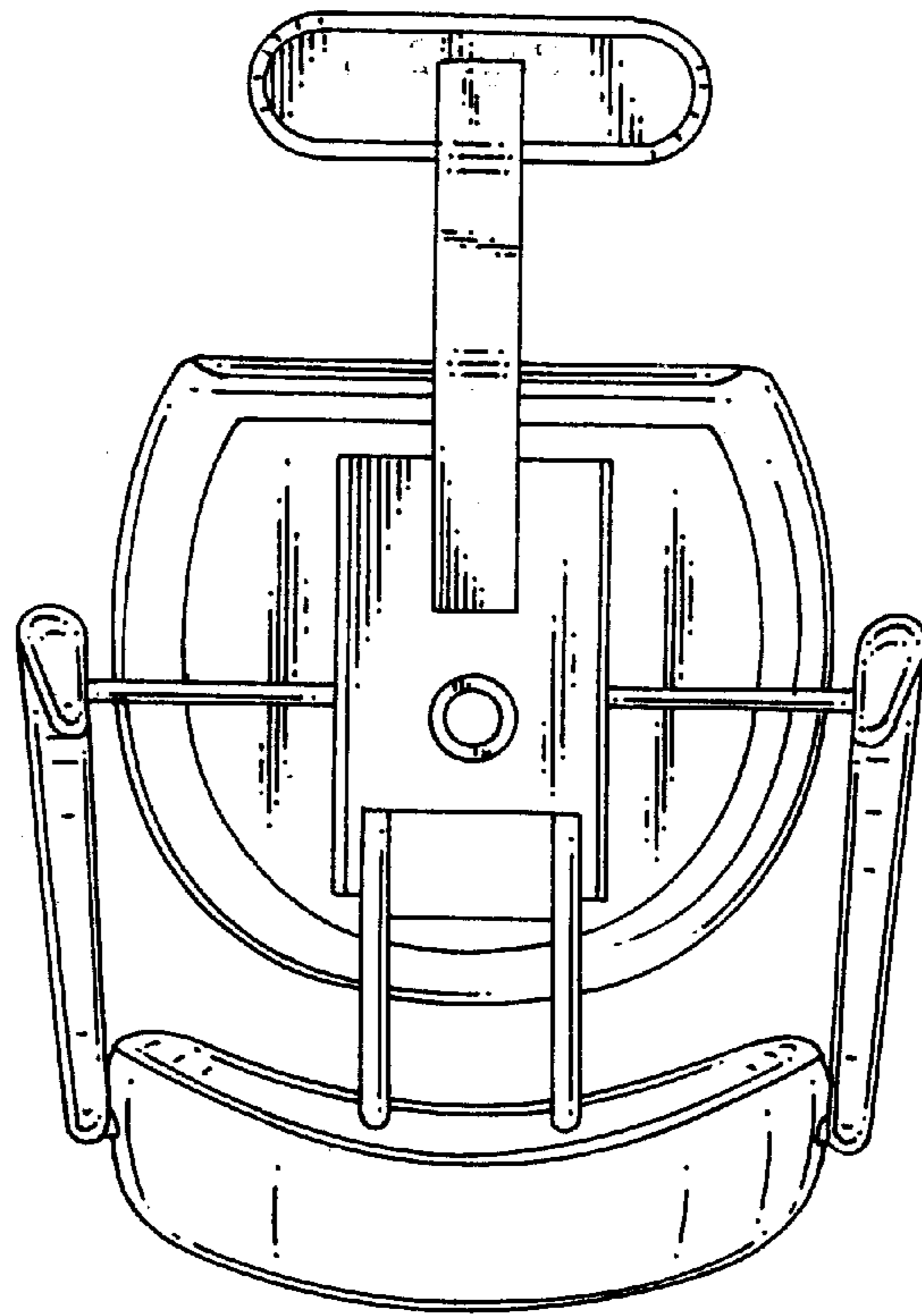


FIG. 5

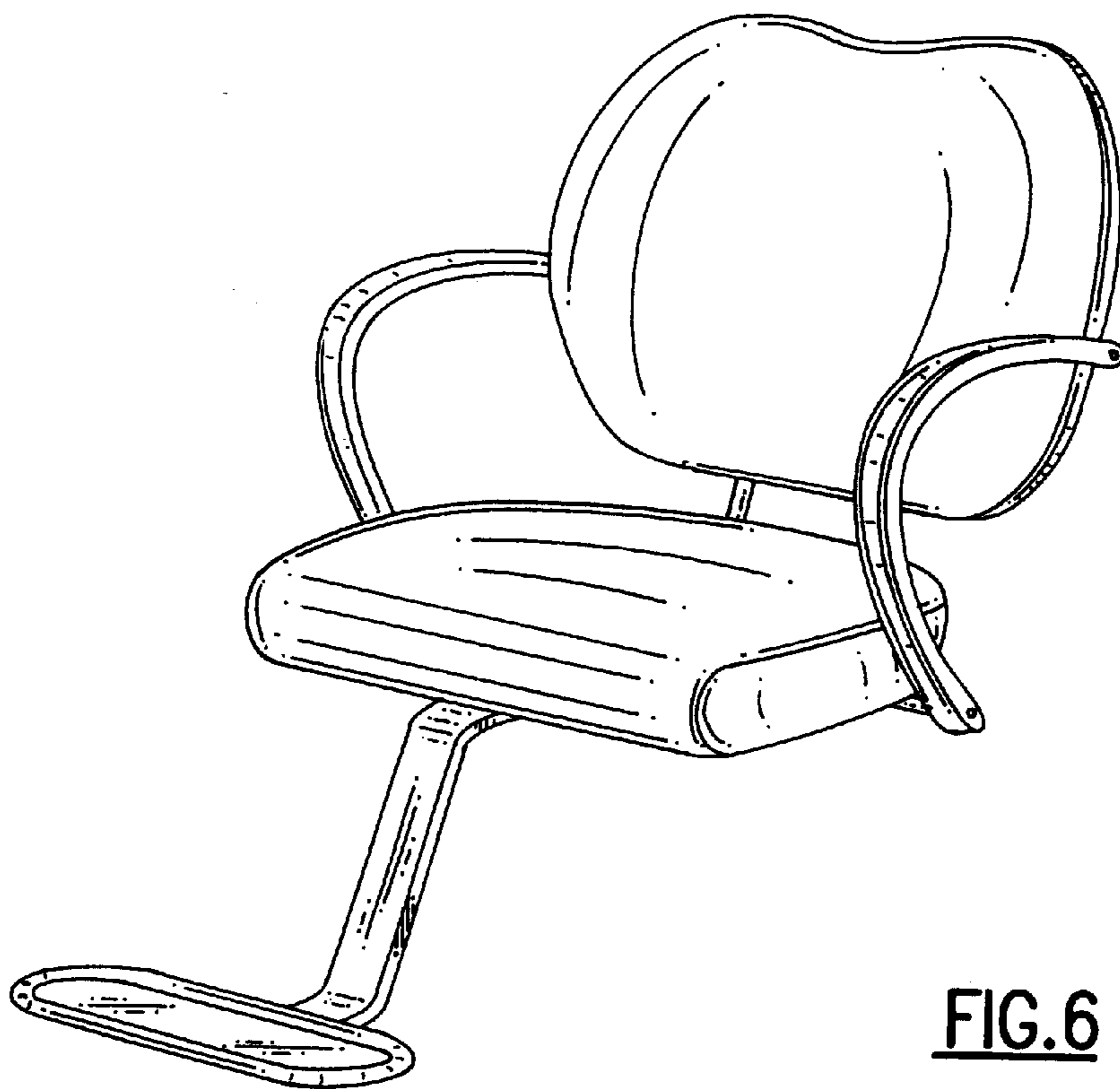


FIG. 6