



US00D457004S

(12) **United States Design Patent**  
**Brown, Jr.**

(10) **Patent No.:** **US D457,004 S**  
(45) **Date of Patent:** **\*\* May 14, 2002**

(54) **ROTARY PHOTOGRAPH DISPLAY DEVICE**

(76) Inventor: **Jimmie R. Brown, Jr.**, 1475 79<sup>th</sup> Ave.,  
Oakland, CA (US) 94621-2627

(\*\*) Term: **14 Years**

(21) Appl. No.: **29/144,951**

(22) Filed: **Jul. 16, 2001**

(51) **LOC (7) Cl.** ..... **06-07**

(52) **U.S. Cl.** ..... **D6/301; D19/79**

(58) **Field of Search** ..... D6/300-302, 309-314;  
40/700, 711, 714, 719, 720, 722, 757, 760,  
765, 780, 790, 798, 723, 724, 500, 533,  
377, 379; D19/76; 211/70

(56) **References Cited**

**U.S. PATENT DOCUMENTS**

- 1,218,082 A 3/1917 Hall
- 1,566,860 A \* 12/1925 Hainzigianis ..... 211/70
- D199,291 S \* 9/1964 Jahn ..... D6/301
- D227,190 S \* 6/1973 McKinsey ..... D19/76
- 4,021,947 A 5/1977 Shneider
- D281,336 S 11/1985 Ahlgren

- 4,599,815 A 7/1986 Waldo
- D292,781 S 11/1987 Shane
- 5,076,444 A \* 12/1991 Syms ..... 211/70 X
- 5,176,264 A \* 1/1993 De Palma ..... 40/379
- 5,289,651 A 3/1994 Byers

\* cited by examiner

*Primary Examiner*—Janice E. Seeger

(74) *Attorney, Agent, or Firm*—Donald R. Schoonover

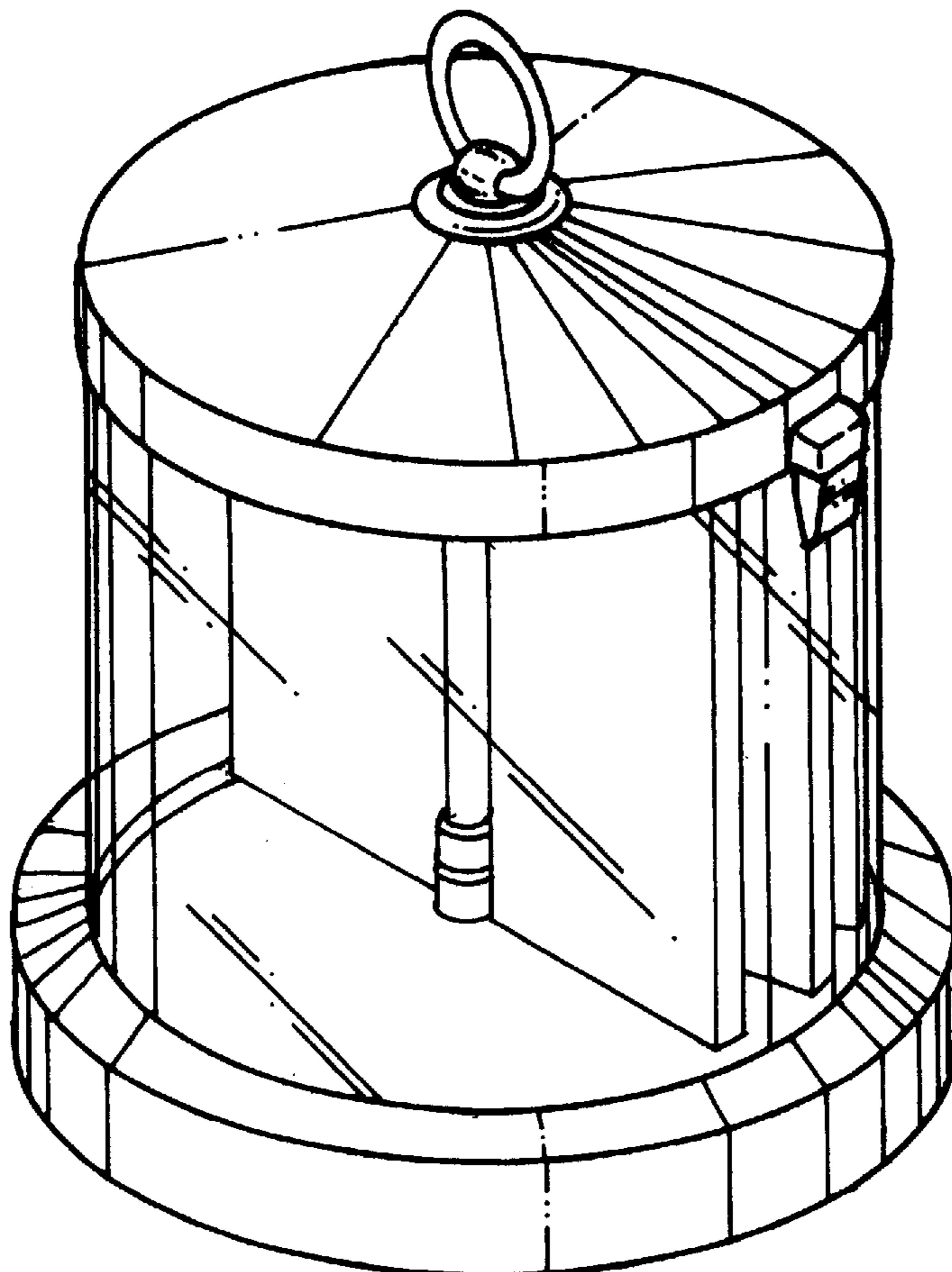
(57) **CLAIM**

The ornamental design for a rotary photograph display device, as shown and described.

**DESCRIPTION**

FIG. 1 is a perspective view of the rotary photograph display device embodying the design of the present invention.  
 FIG. 2 is a front elevational view thereof;  
 FIG. 3 is a rear elevational view thereof;  
 FIG. 4 is a left side elevational view thereof;  
 FIG. 5 is a right side elevational view thereof;  
 FIG. 6 is a top plan view thereof; and,  
 FIG. 7 is a bottom plan view thereof.

**1 Claim, 4 Drawing Sheets**



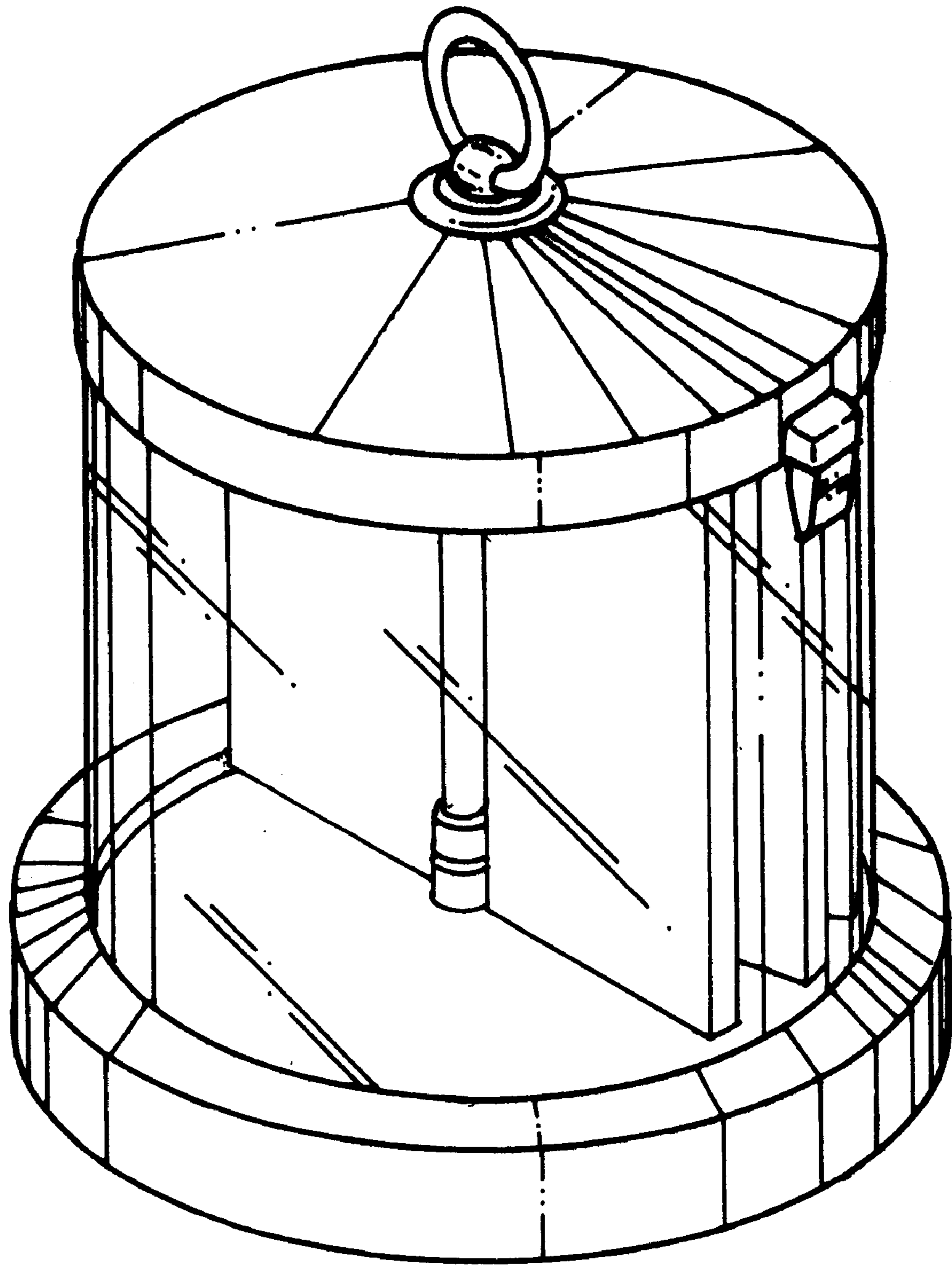


FIG. 1.

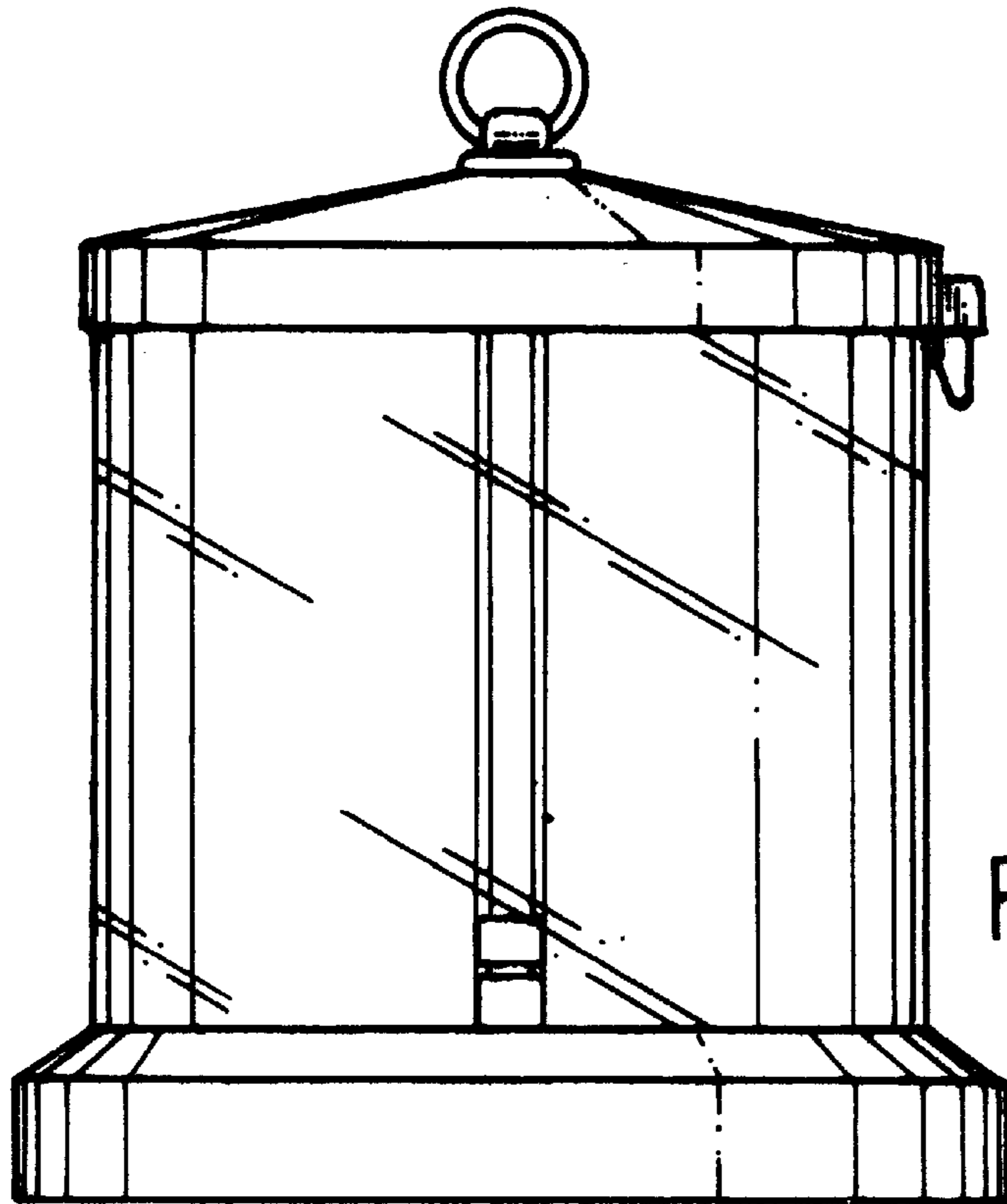


FIG. 2.

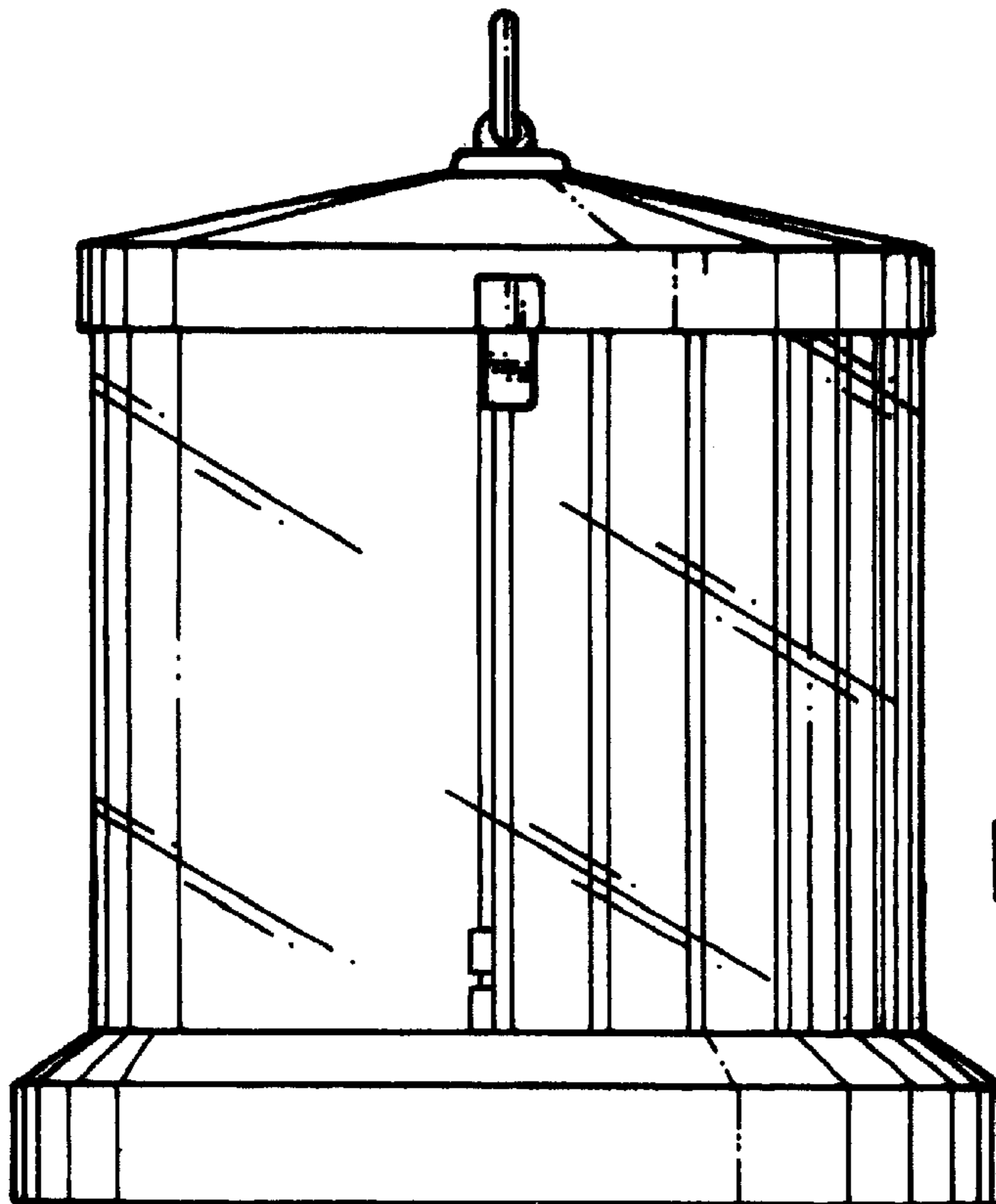


FIG. 4.

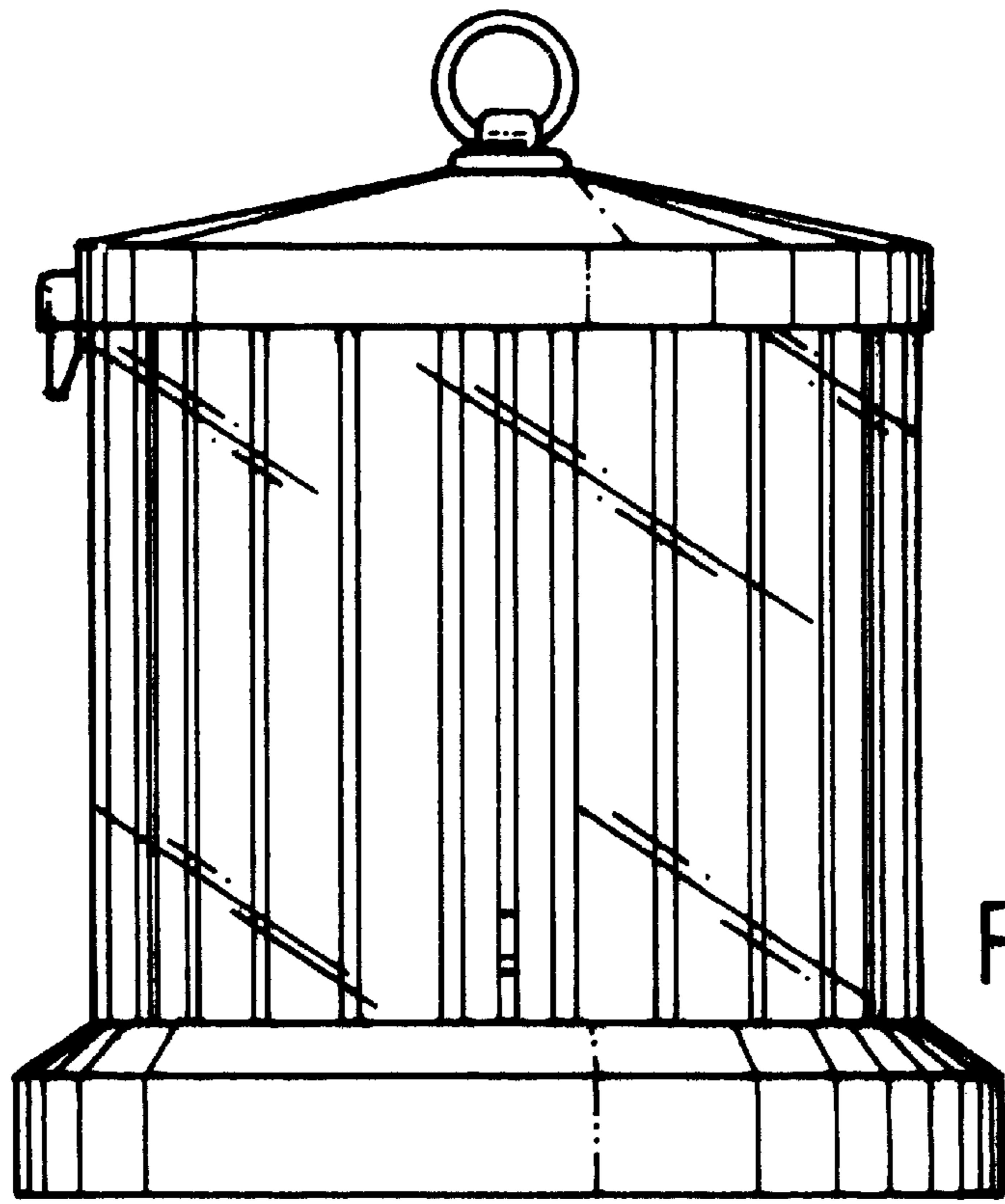


FIG. 3.

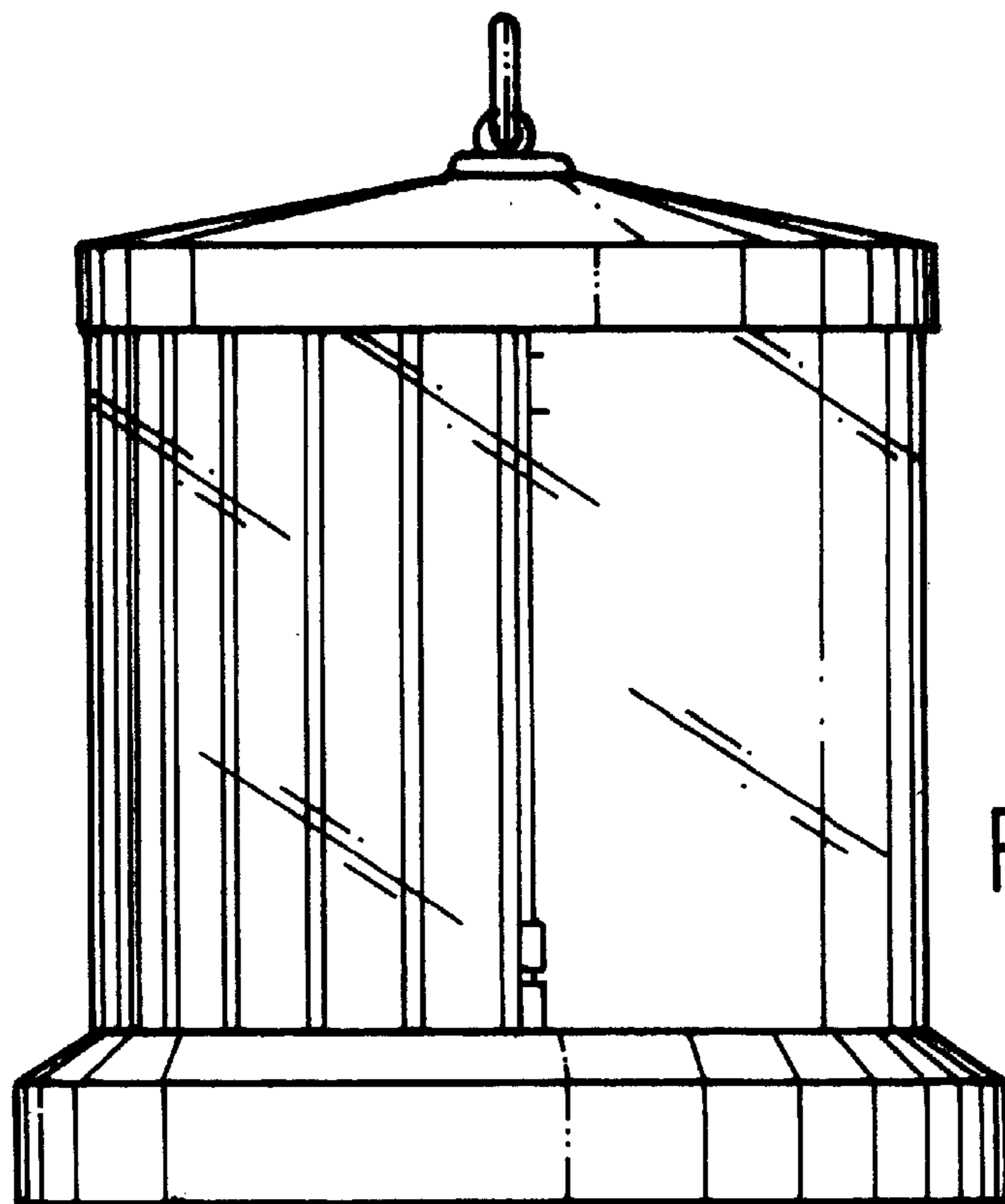


FIG. 5.

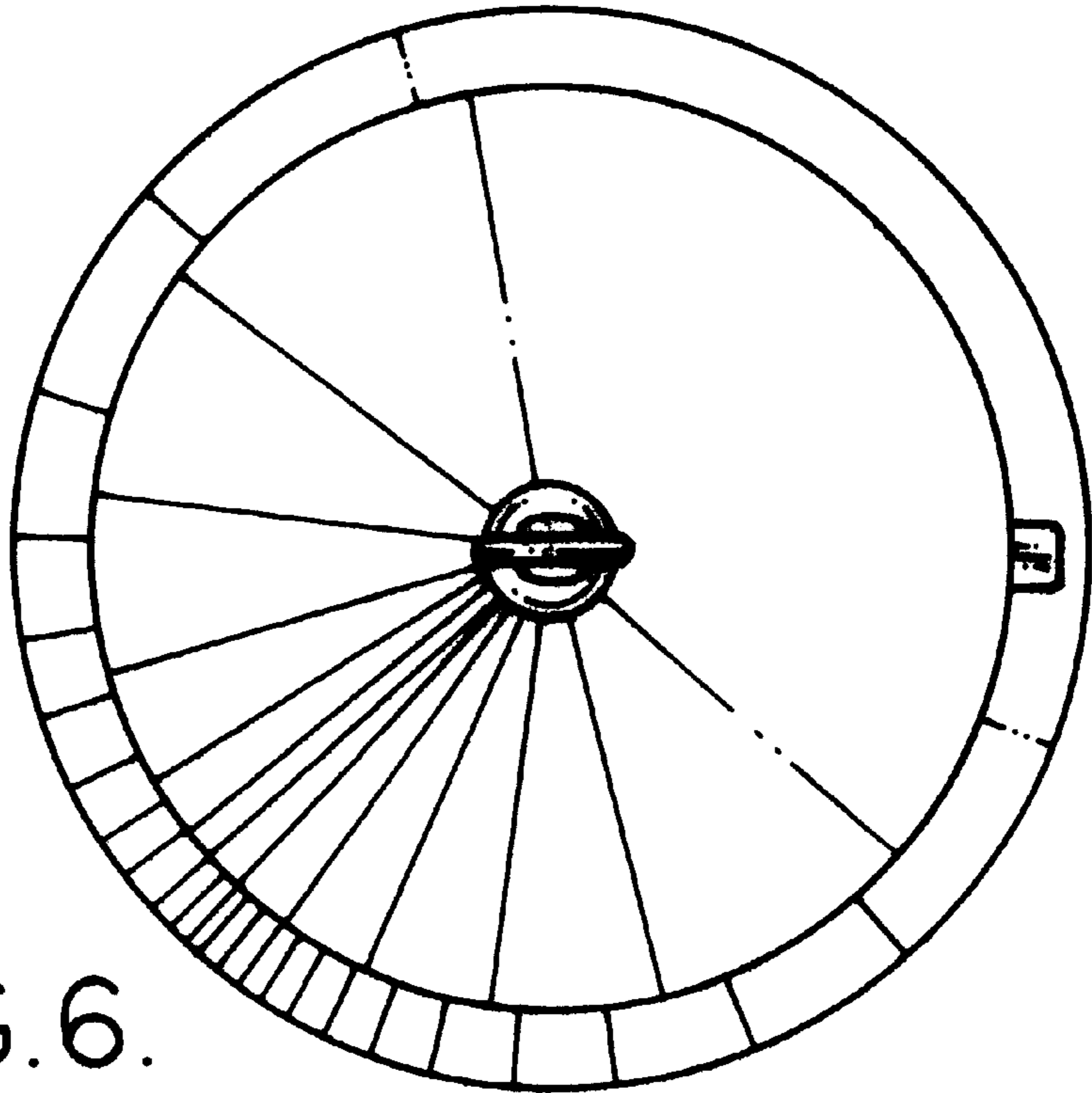


FIG. 6.

FIG. 7.

