



US00D456995S

(12) **United States Design Patent**  
**Baker**

(10) **Patent No.:** **US D456,995 S**

(45) **Date of Patent:** **\*\* May 14, 2002**

(54) **PADDED ATHLETIC STRETCH SHORTS**

(76) **Inventor:** **Karen M Baker**, 808 Schenley Ave.,  
New Castle, PA (US) 16101

(\*\*) **Term:** **14 Years**

(21) **Appl. No.:** **29/145,745**

(22) **Filed:** **Jul. 27, 2001**

(51) **LOC (7) Cl.** ..... **02-02**

(52) **U.S. Cl.** ..... **D3/731**

(58) **Field of Search** ..... D2/700, 701, 702,  
D2/704, 712, 731, 732, 734, 737, 738,  
742, 747; 2/1, 69, 227, 401, 425, 455, 228;  
450/97, 98, 99, 155

(56) **References Cited**

**U.S. PATENT DOCUMENTS**

2,344,374 A	*	3/1944	Stephens	.....	2/401
2,569,229 A	*	9/1951	Cooper	.....	450/99
3,131,698 A	*	5/1964	Morano	.....	450/99
3,295,530 A	*	1/1967	Mayer et al.	.....	450/98
3,359,571 A	*	12/1967	Burke	.....	D2/704
3,406,692 A	*	10/1968	Pernas	.....	D2/704
4,128,902 A		12/1978	Siebert		
4,805,243 A		2/1989	Gibbens et al.		
4,894,867 A		1/1990	Ceravolo et al.		
4,961,233 A		10/1990	Black		

5,271,101 A		12/1993	Speth et al.		
5,426,786 A		6/1995	Calvin		
D360,516 S		7/1995	Persinger		
D370,552 S	*	6/1996	Erwin et al.	.....	D2/732
5,551,082 A		9/1996	Stewart et al.		
5,572,737 A		11/1996	Valice		
D412,772 S		8/1999	Fujii et al.		

\* cited by examiner

*Primary Examiner*—Louis S. Zarfes  
*Assistant Examiner*—Monica A. Weingart

(57) **CLAIM**

The ornamental design for a padded athletic stretch shorts, as shown and described.

**DESCRIPTION**

FIG. 1 is a front elevational view of the padded athletic stretch shorts of the present invention;  
 FIG. 2 is a rear elevational view of the padded athletic stretch shorts of FIG. 1;  
 FIG. 3 is a left side elevational view of the padded athletic stretch shorts of FIG. 1; the right side view being a mirror image thereof;  
 FIG. 4 is a top plan view of the padded athletic stretch shorts of FIG. 1; and,  
 FIG. 5 is a bottom plan view of the padded athletic stretch shorts of FIG. 1.

**1 Claim, 4 Drawing Sheets**

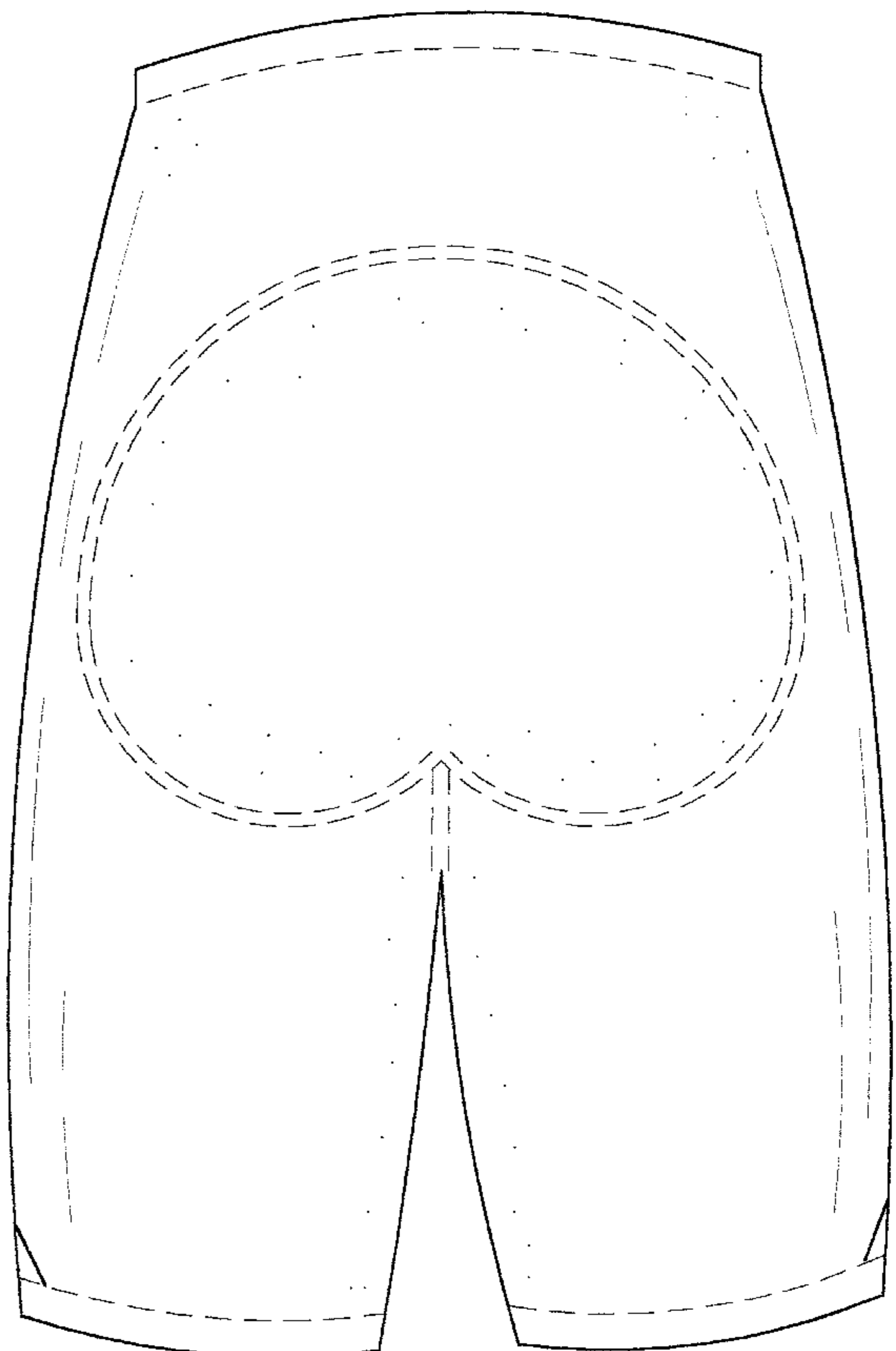
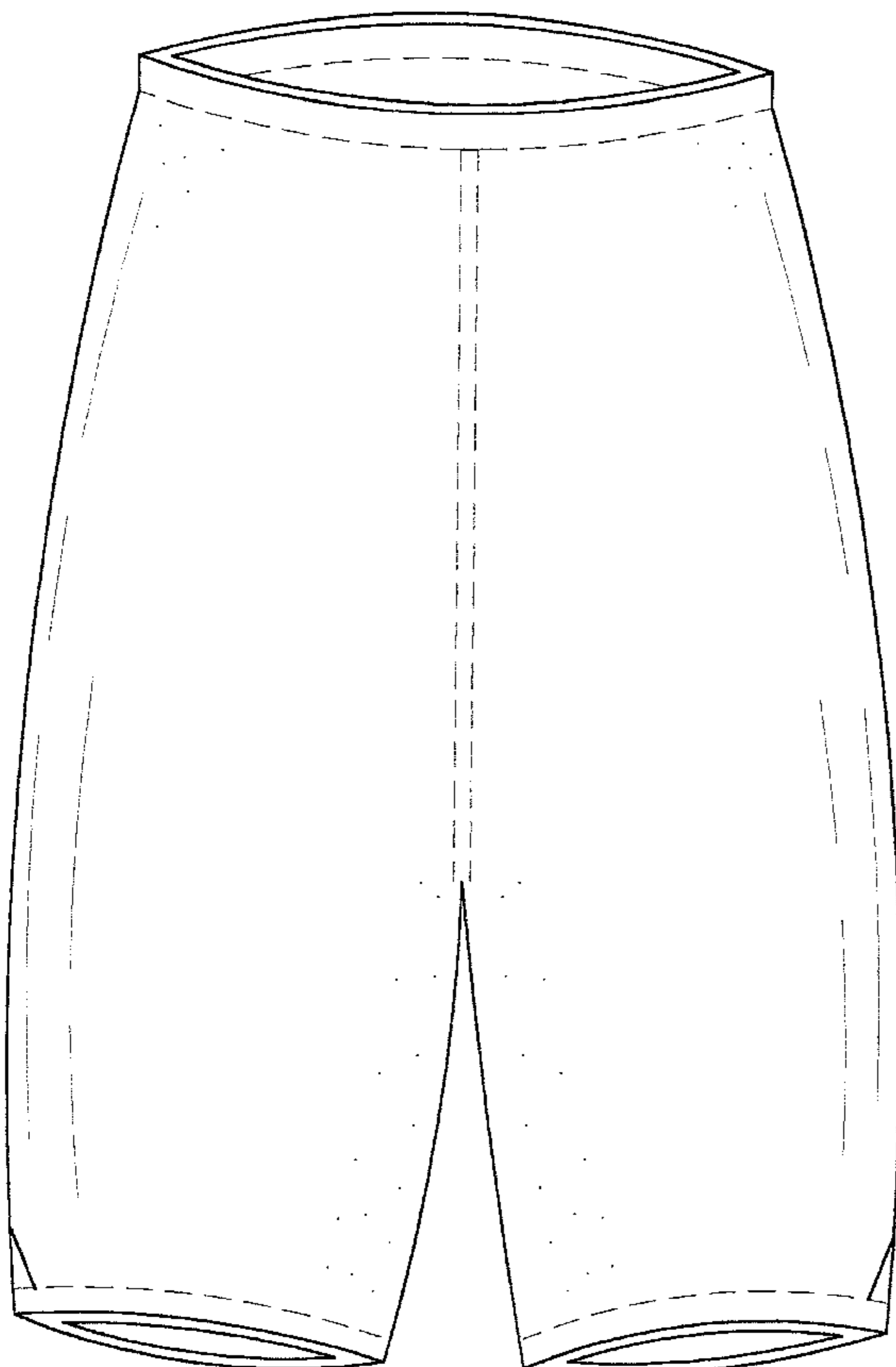


FIG. 1

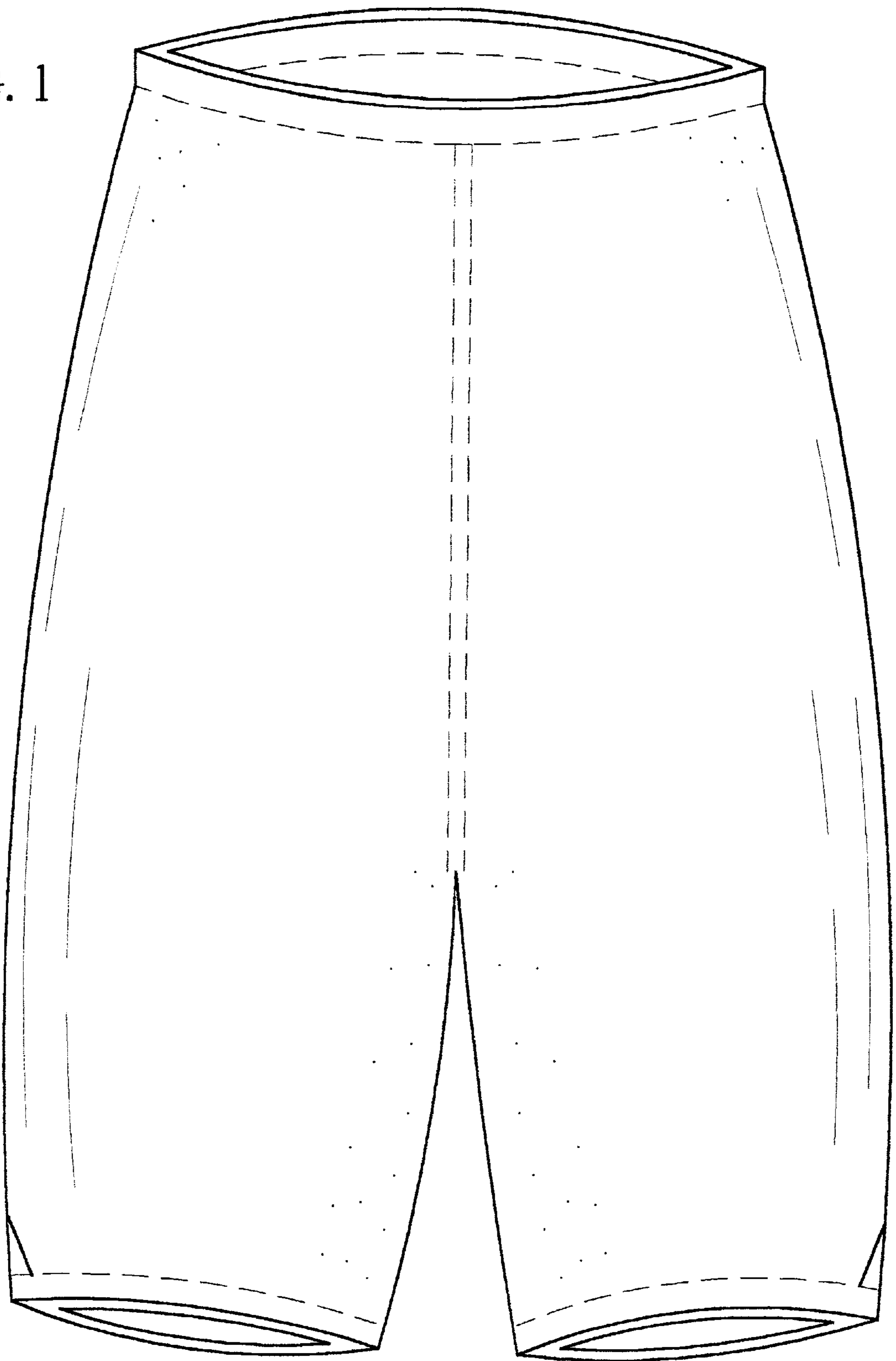


FIG. 2

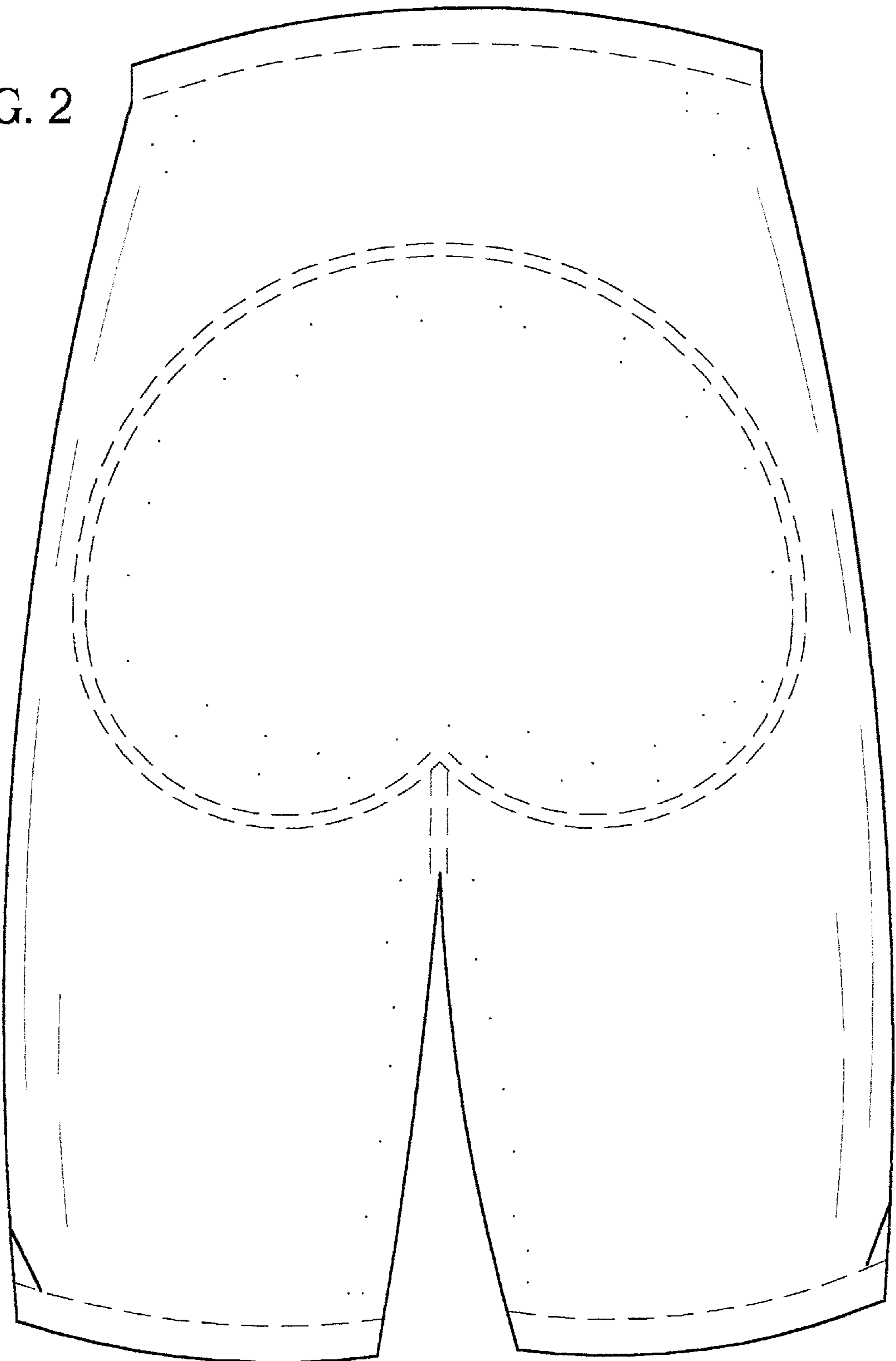


FIG. 3

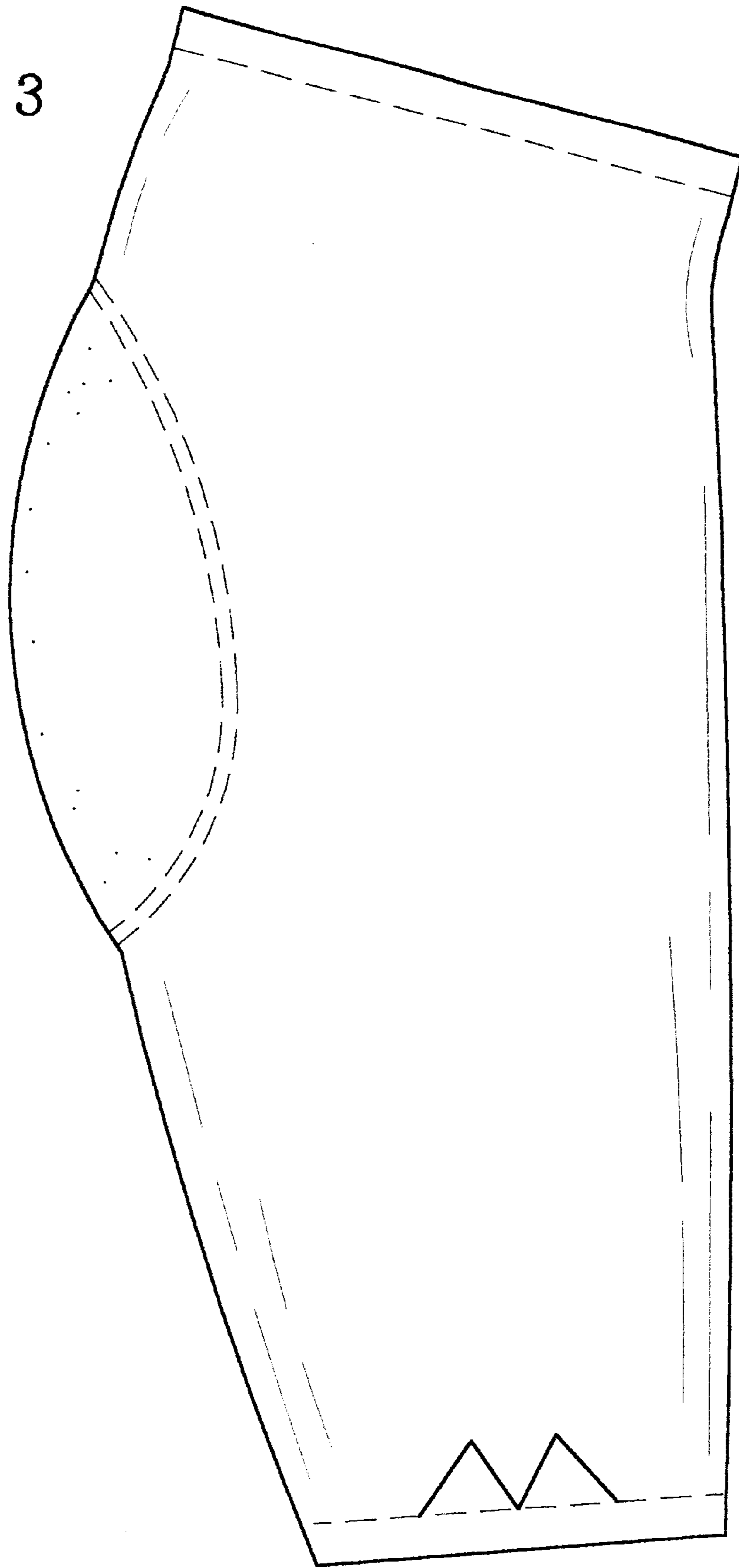


FIG. 4

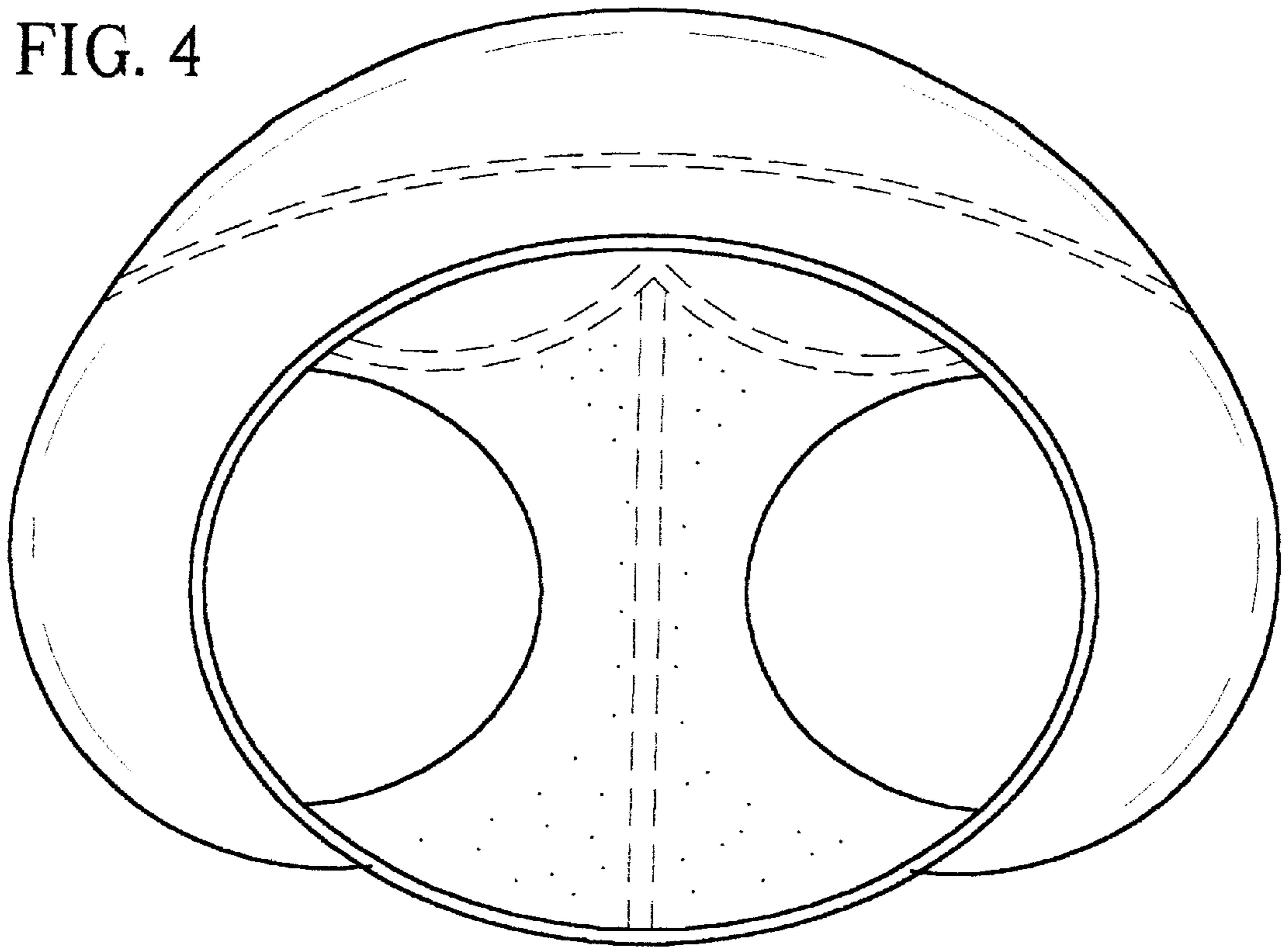


FIG. 5

