



US00D456994S

(12) **United States Design Patent**
Erwin

(10) **Patent No.:** **US D456,994 S**

(45) **Date of Patent:** **** May 14, 2002**

(54) **UTILITY BOX**

D435,342 S * 12/2000 Mogil D3/283
D435,968 S * 1/2001 Mogil D3/283

(76) Inventor: **Ernest J. Erwin**, 116 E. Rusk St.,
Rockwall, TX (US) 75087

* cited by examiner

(**) Term: **14 Years**

Primary Examiner—Philip S. Hyder
(74) *Attorney, Agent, or Firm*—Jack A. Kanz

(21) Appl. No.: **29/145,586**

(57) **CLAIM**

(22) Filed: **Jul. 26, 2001**

The ornamental design for a utility box, as shown.

(51) **LOC (7) Cl.** **03-01**

DESCRIPTION

(52) **U.S. Cl.** **D3/291; D3/276; D3/292**

(58) **Field of Search** D3/273, 276, 281,
D3/282, 291, 292, 272, 905; 190/100, 109,
111, 112, 113, 114

FIG. 1 is a front perspective view of a utility box showing
my new design;

FIG. 2 is a front elevational view thereof;

FIG. 3 is a side elevational view of the right-hand side
thereof;

FIG. 4 is a rear elevational view thereof;

FIG. 5 is a top plan view thereof;

FIG. 6 is a bottom plan view thereof; and,

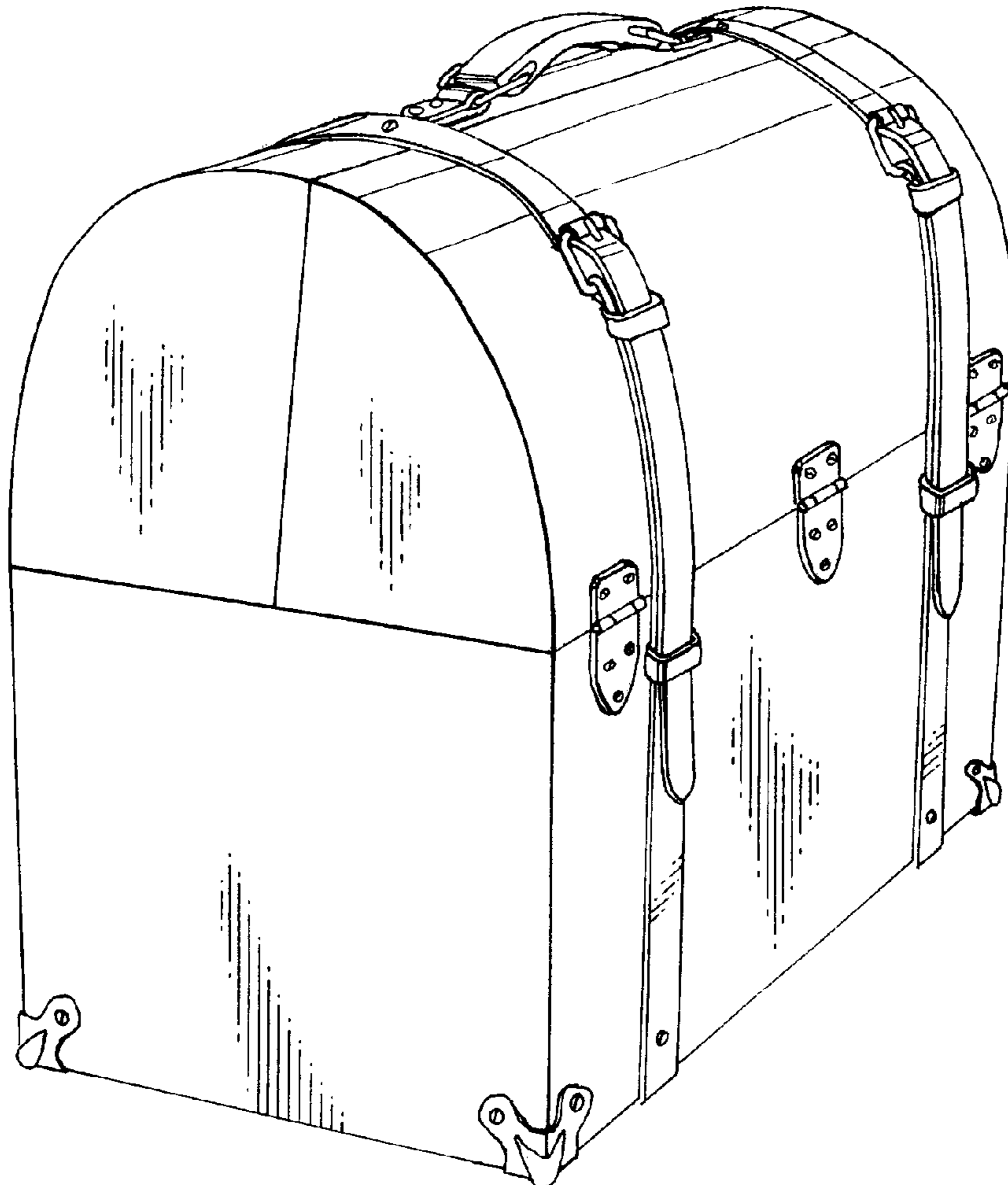
FIG. 7 is a top plan view of my utility box in the open
condition.

(56) **References Cited**

U.S. PATENT DOCUMENTS

D235,365 S * 6/1975 Gay D21/483
4,561,525 A * 12/1985 Shidner 190/106
D316,178 S * 4/1991 Uemura D3/281
D354,518 S * 1/1995 Dietterich et al. D19/82
D415,614 S * 10/1999 Akaike et al. D3/272

1 Claim, 4 Drawing Sheets



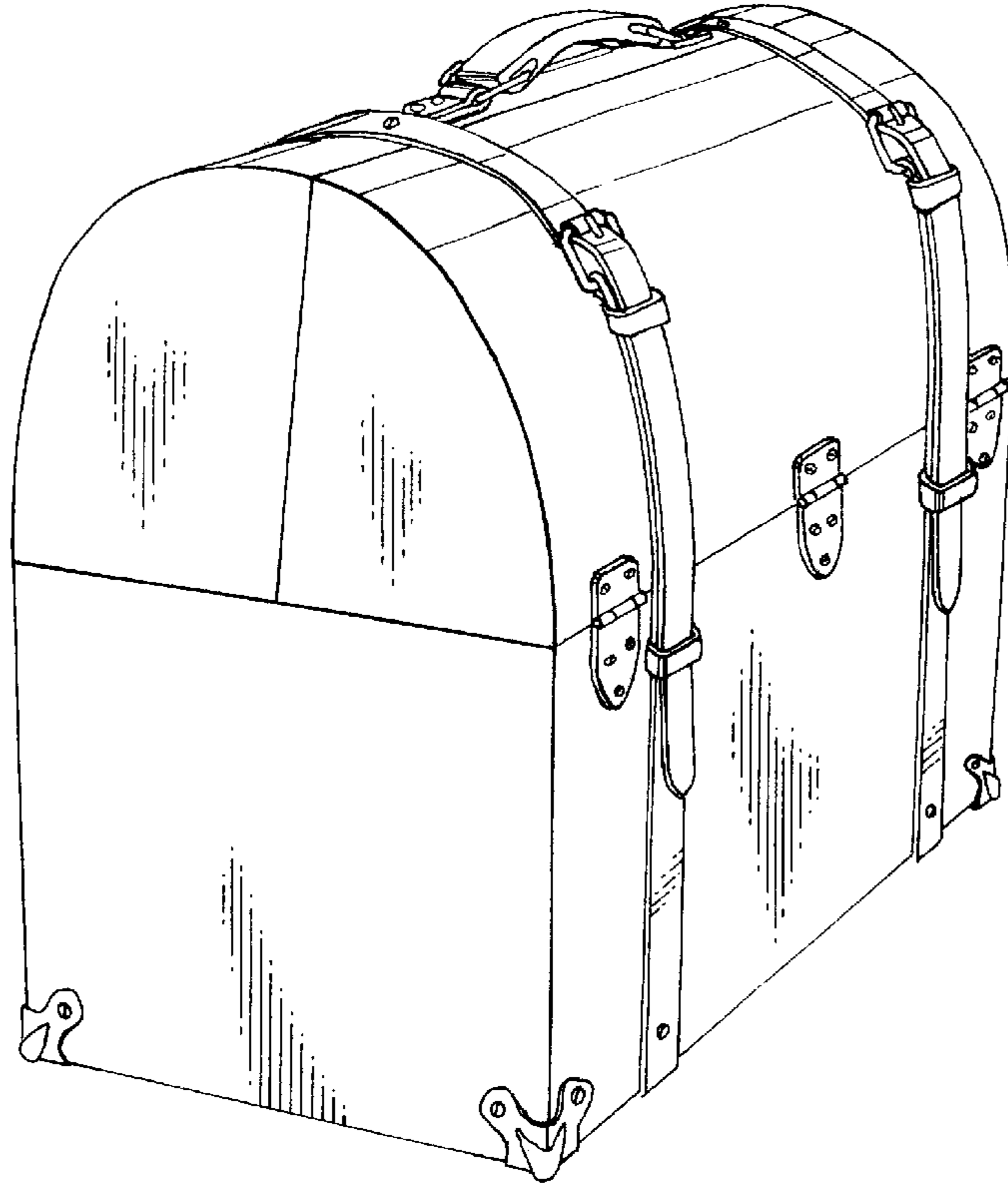


Fig. 1

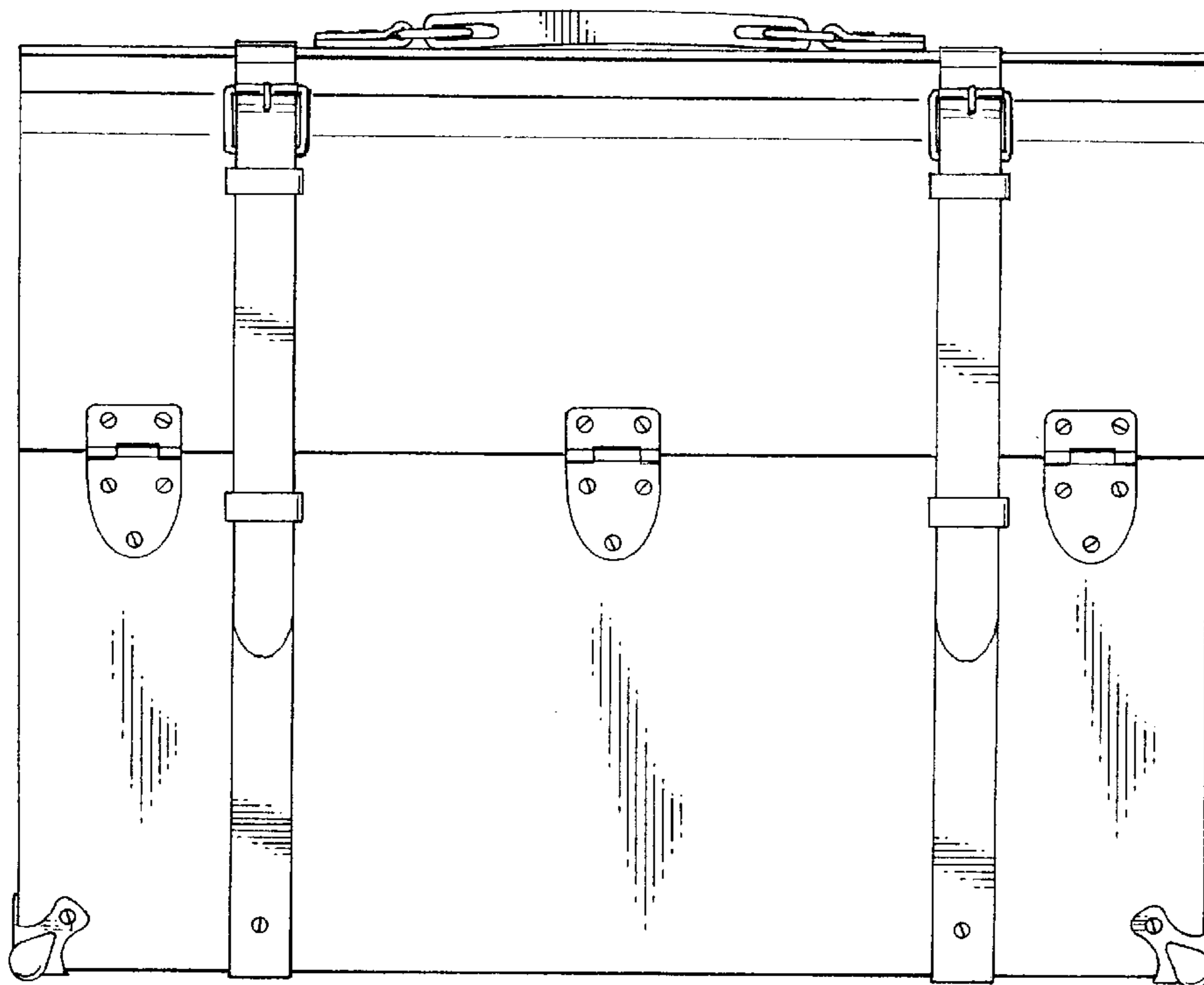


Fig. 2

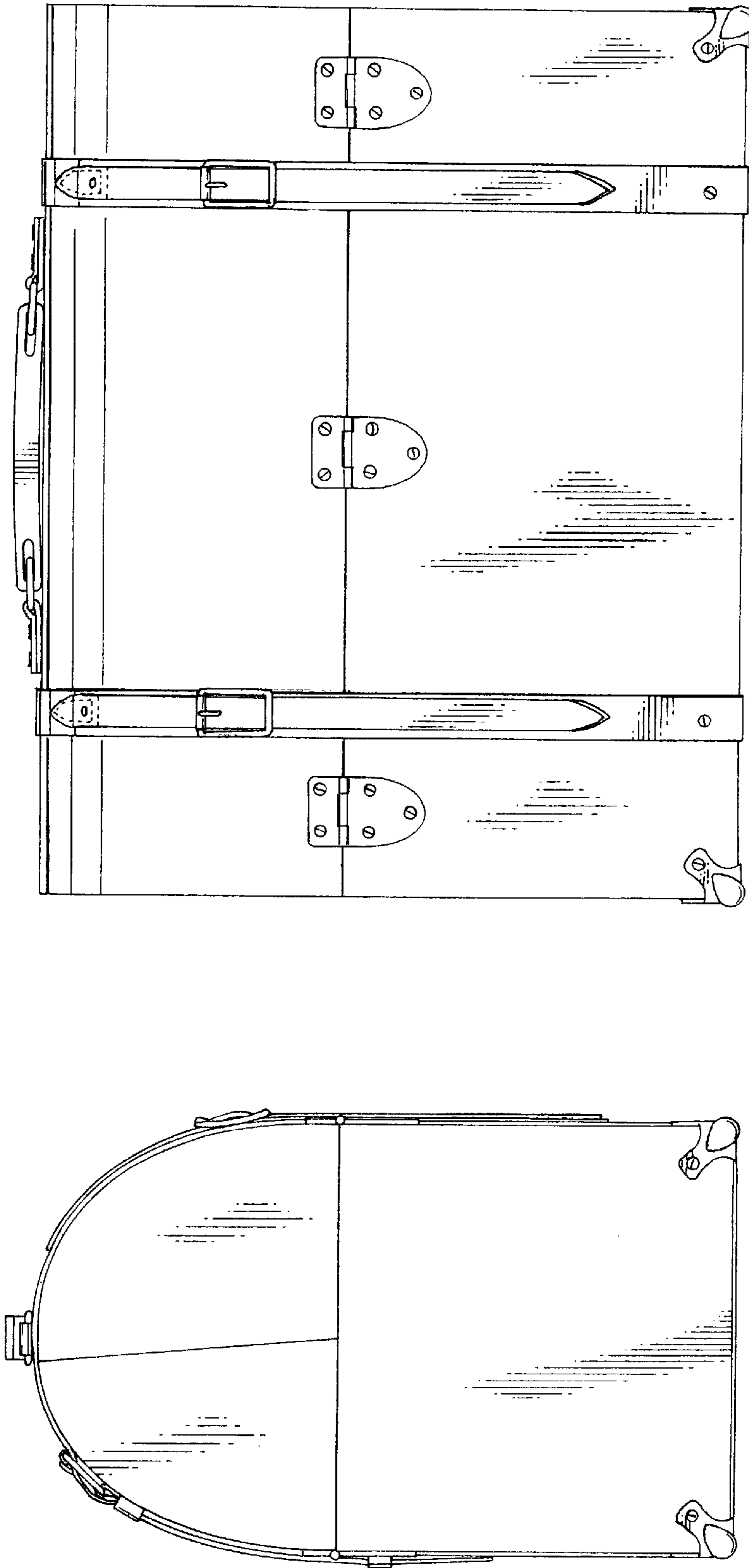


Fig. 3

Fig. 4

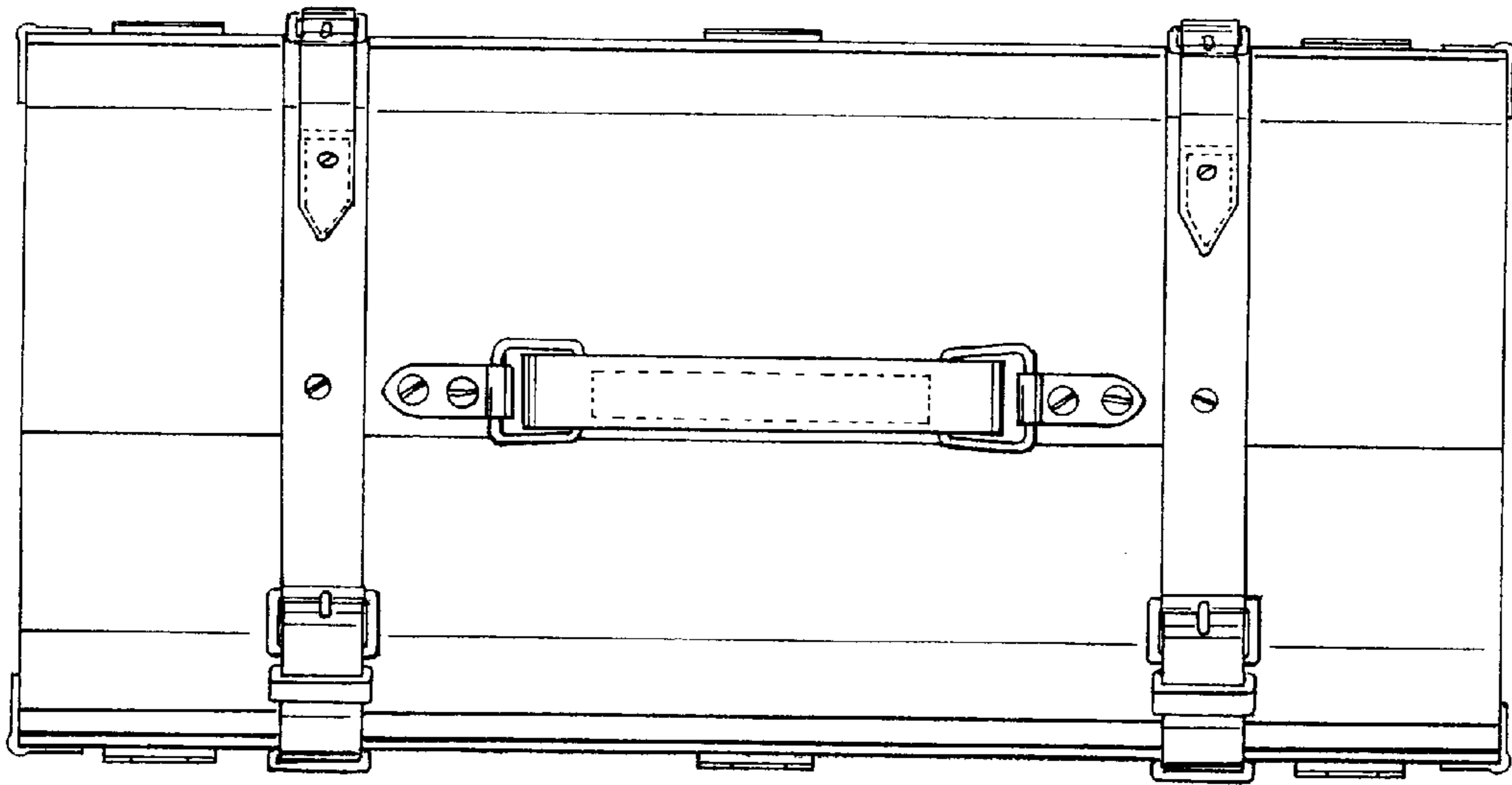


Fig. 5

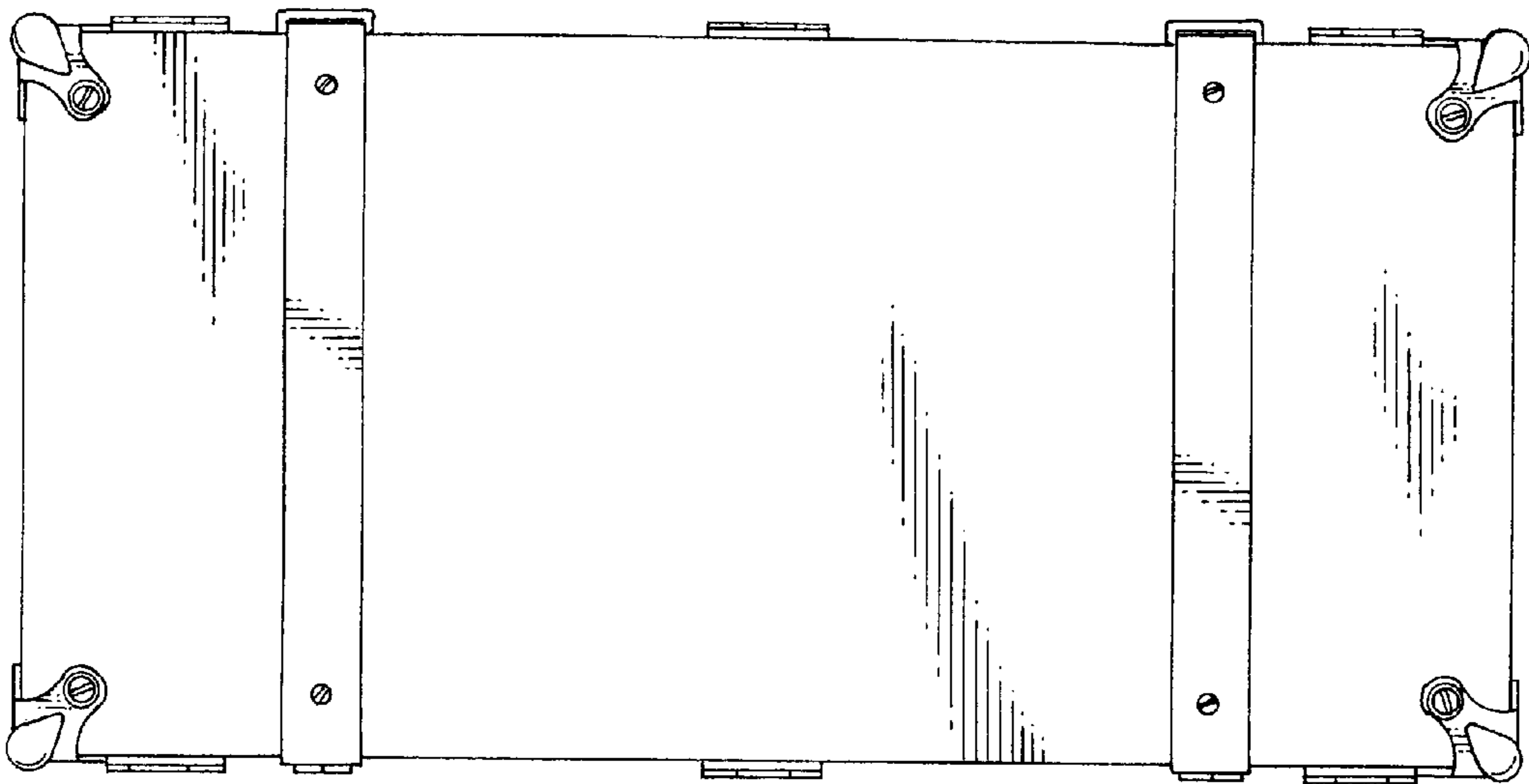


Fig. 6

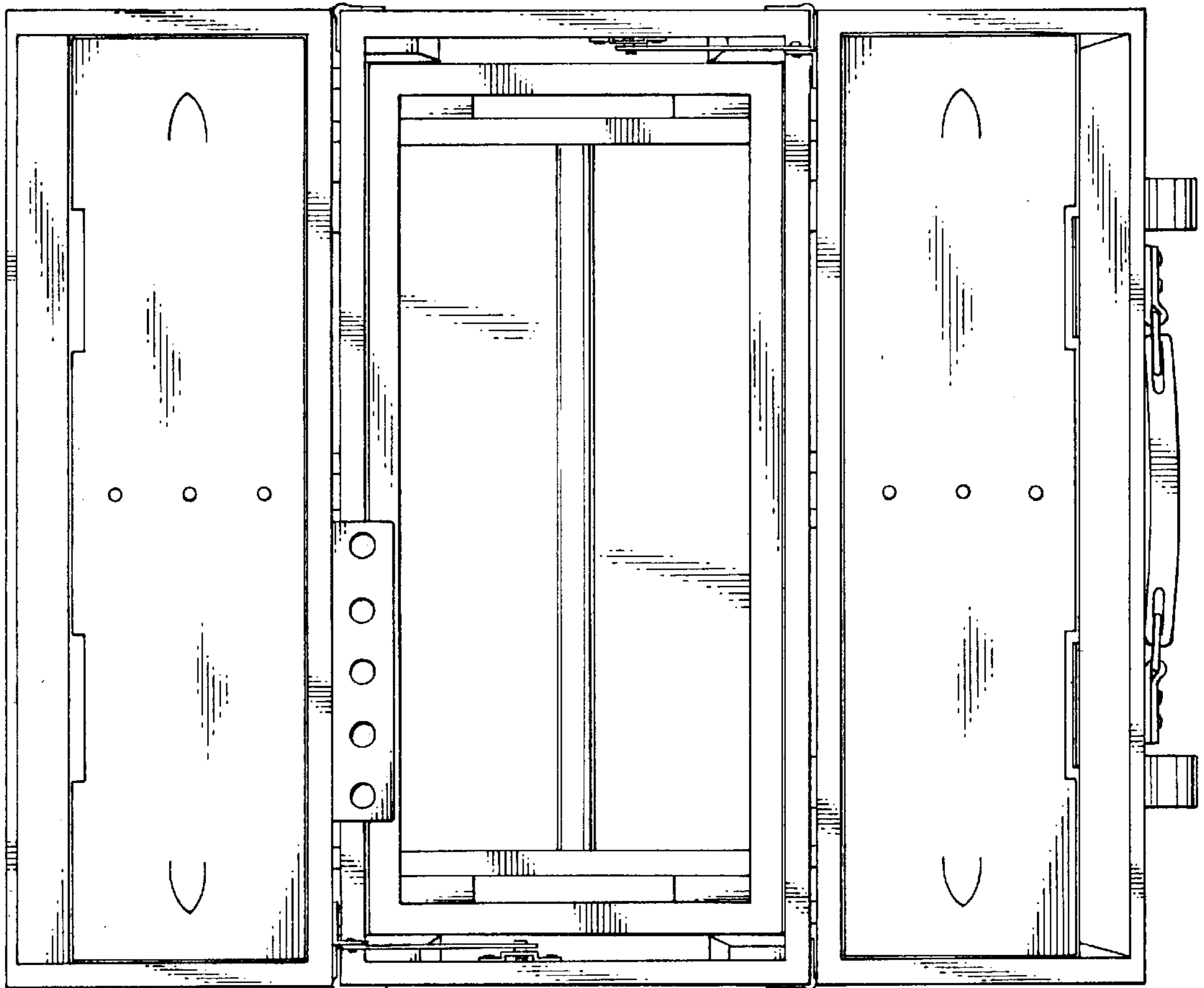


Fig. 7