



US00D456992S

(12) **United States Design Patent**
Clark et al.

(10) **Patent No.:** **US D456,992 S**

(45) **Date of Patent:** **** May 14, 2002**

(54) **TOY ACCESSORY CARRYING CASE**

(75) Inventors: **Maxine Clark**, St. Louis, MO (US);
Beverly Schofield, Alton; **Adrienne Weiss**, Chicago, both of IL (US)

(73) Assignee: **Build-A-Bear Workshop, Inc.**, St. Louis, MO (US)

(**) Term: **14 Years**

(21) Appl. No.: **29/143,030**

(22) Filed: **Jun. 6, 2001**

(51) **LOC (7) Cl.** **03-01**

(52) **U.S. Cl.** **D3/276; D3/273; D3/270**

(58) **Field of Search** **D3/272, 273, 276, D3/270; D9/433; 229/117.14; 119/454; 206/315.1; 190/100, 109, 111, 110, 112**

(56) **References Cited**

U.S. PATENT DOCUMENTS

4,010,888 A * 3/1977 Gilbert 119/454
4,109,849 A * 8/1978 Wood 229/117.14

4,318,505 A * 3/1982 Cordell, Jr. 190/100
D385,187 S * 10/1997 Loft D9/415
6,116,421 A * 9/2000 Collins 206/455
D442,859 S * 5/2001 Hirschey D9/346

* cited by examiner

Primary Examiner—Philip S. Hyder

(74) *Attorney, Agent, or Firm*—Blackwell Sanders Peper Martin LLP

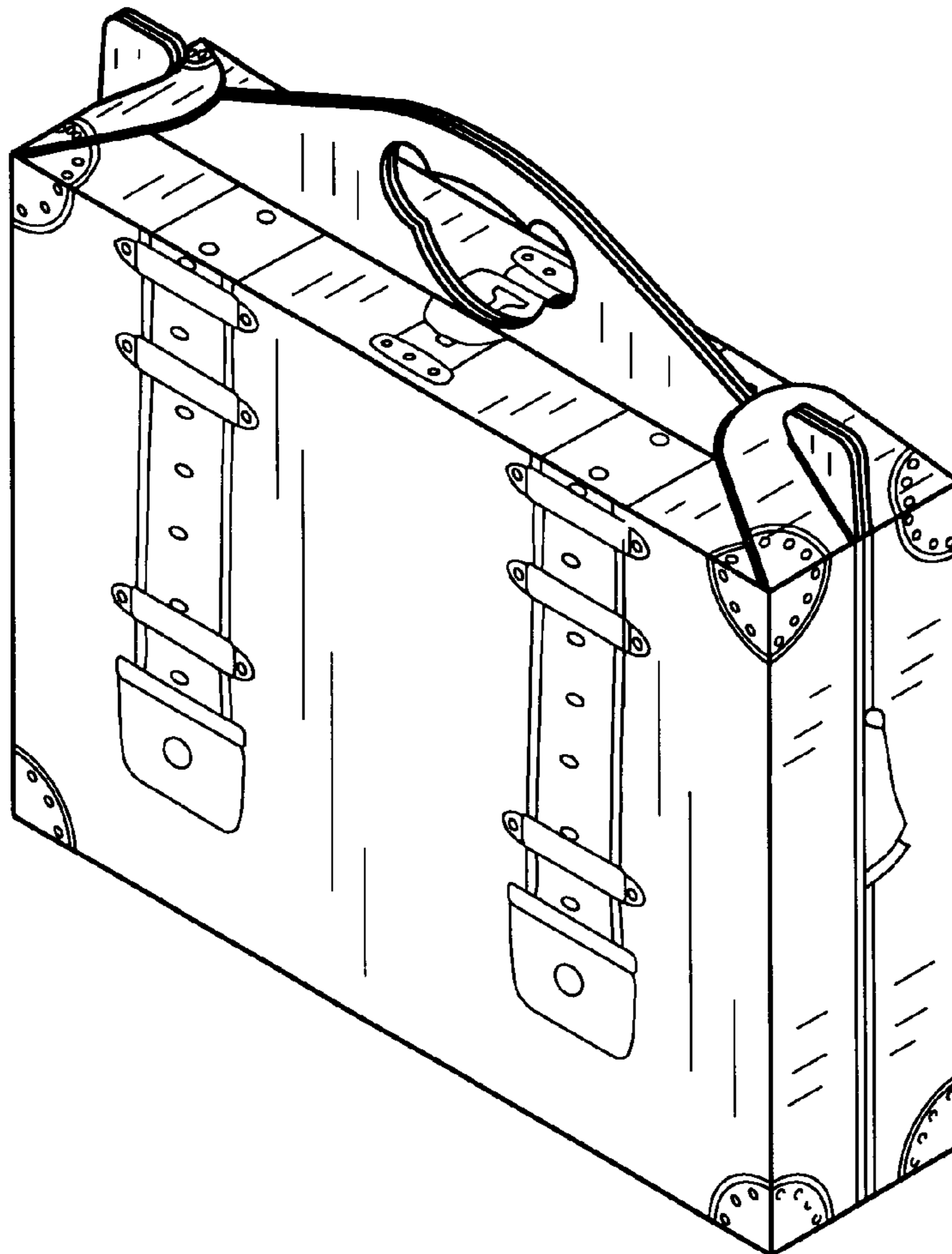
(57) **CLAIM**

The ornamental design for a toy accessory carrying case, as shown and described.

DESCRIPTION

FIG. 1 is an upper perspective view of a toy accessory carrying case in accordance with our new design;
FIG. 2 is a front elevational view thereof;
FIG. 3 is a back elevational view thereof;
FIG. 4 is a left end elevational view of the view of FIG. 1;
FIG. 5 is a right end elevation view of the view of FIG. 1;
FIG. 6 is a top plan view thereof; and,
FIG. 7 is a bottom plan view thereof.

1 Claim, 2 Drawing Sheets



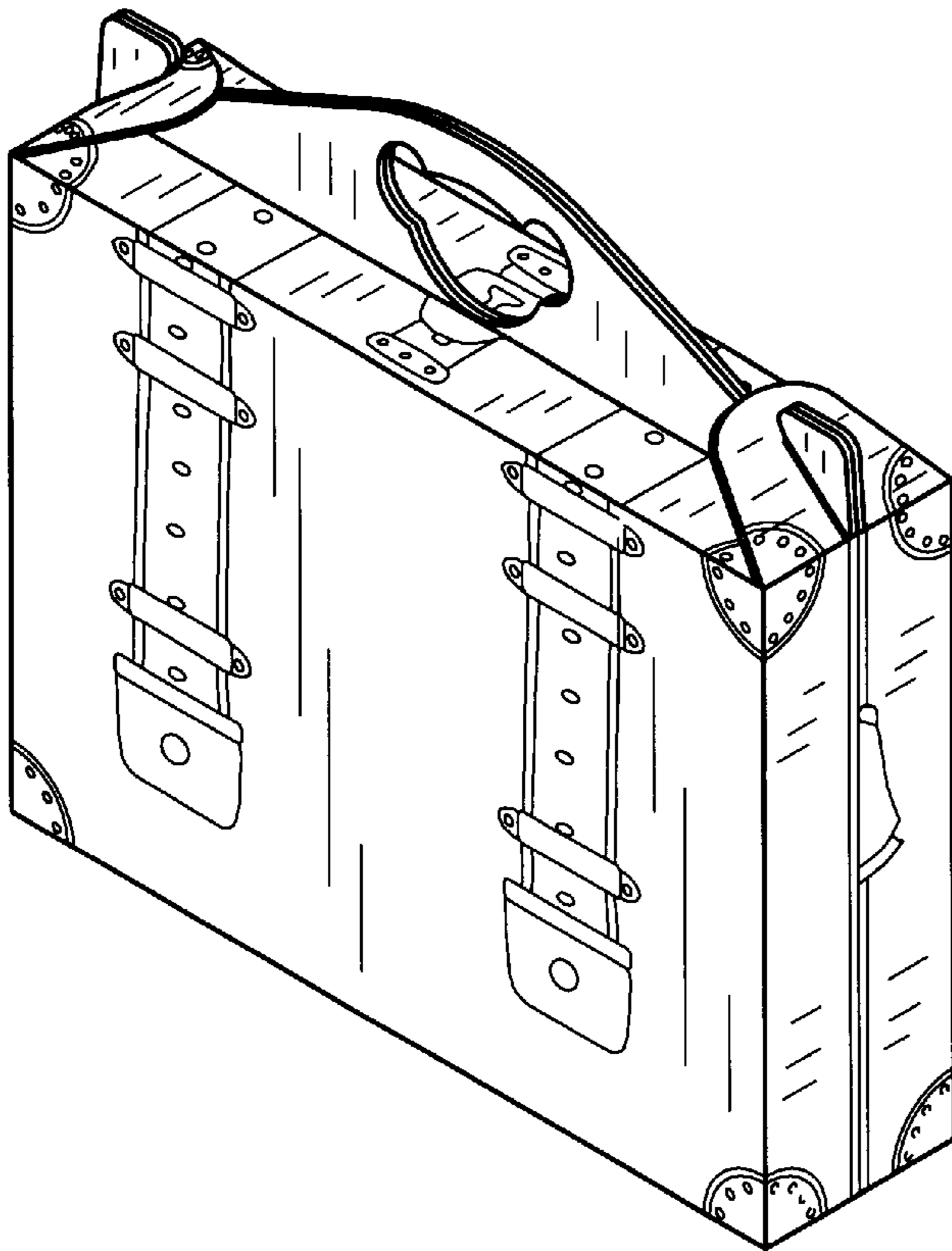


FIG. 1

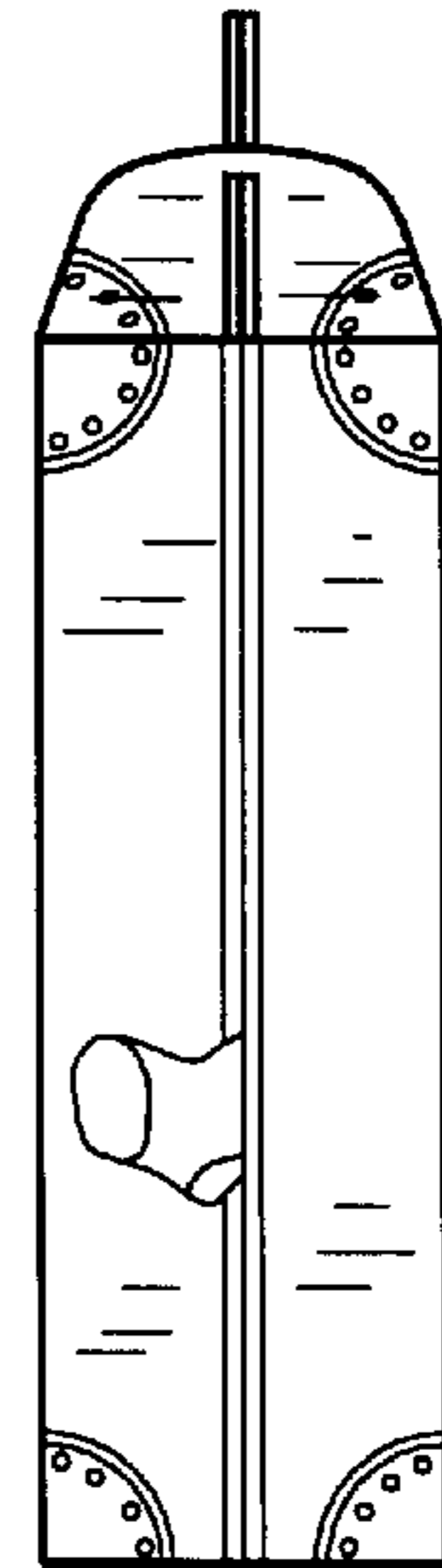


FIG. 4

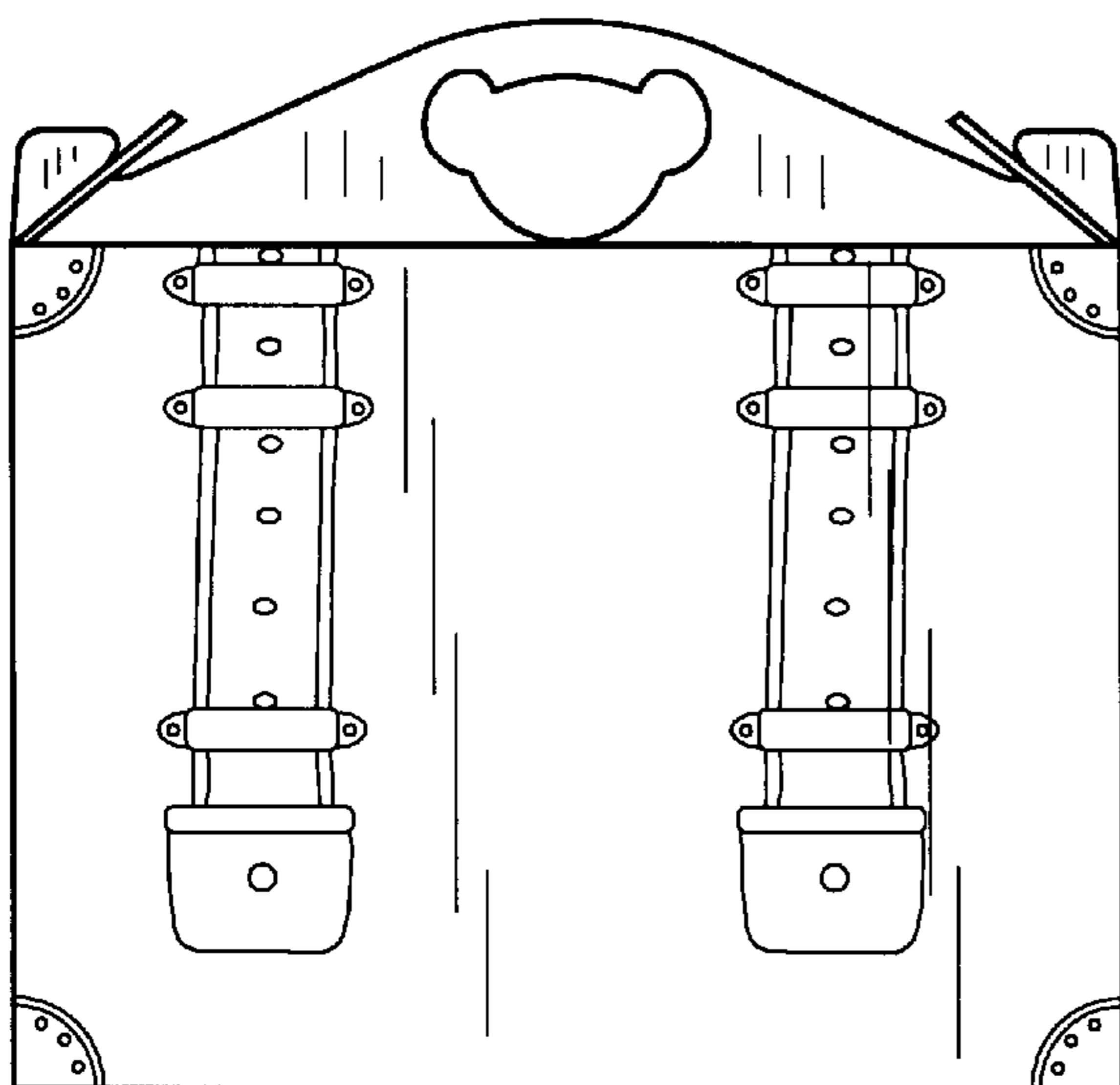


FIG. 2

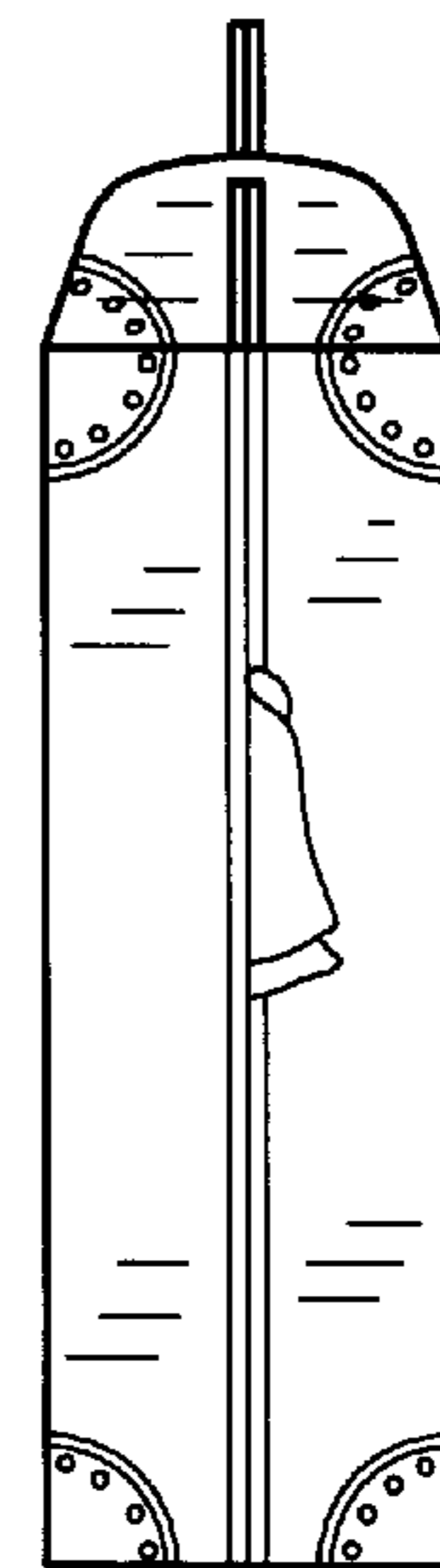


FIG. 5

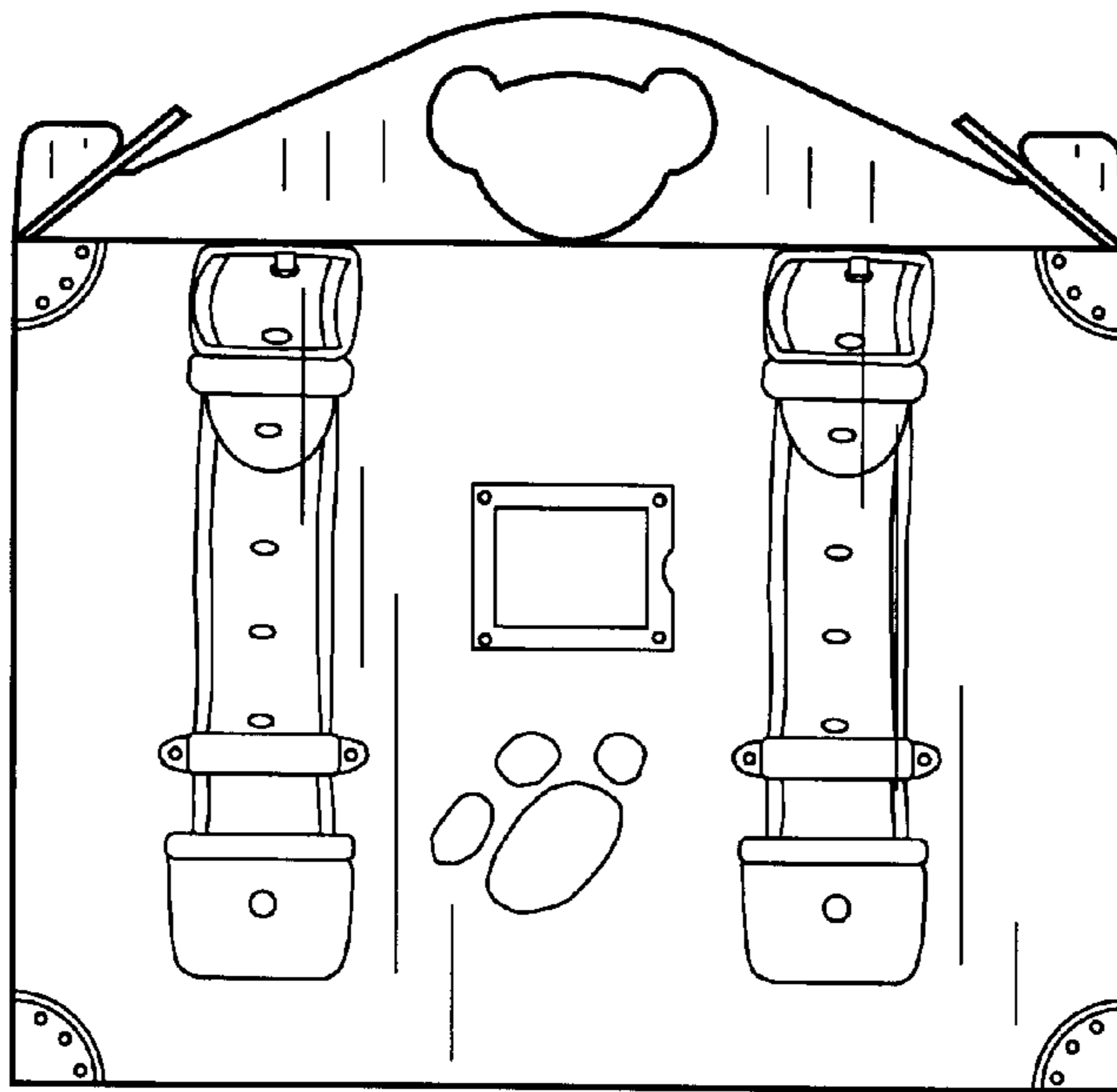


FIG. 3

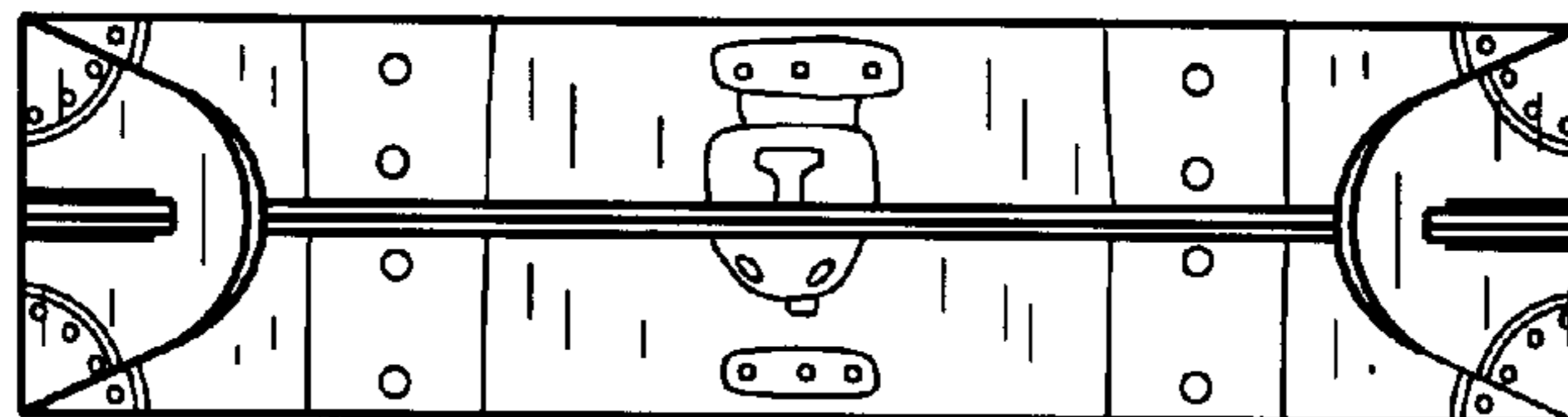


FIG. 6

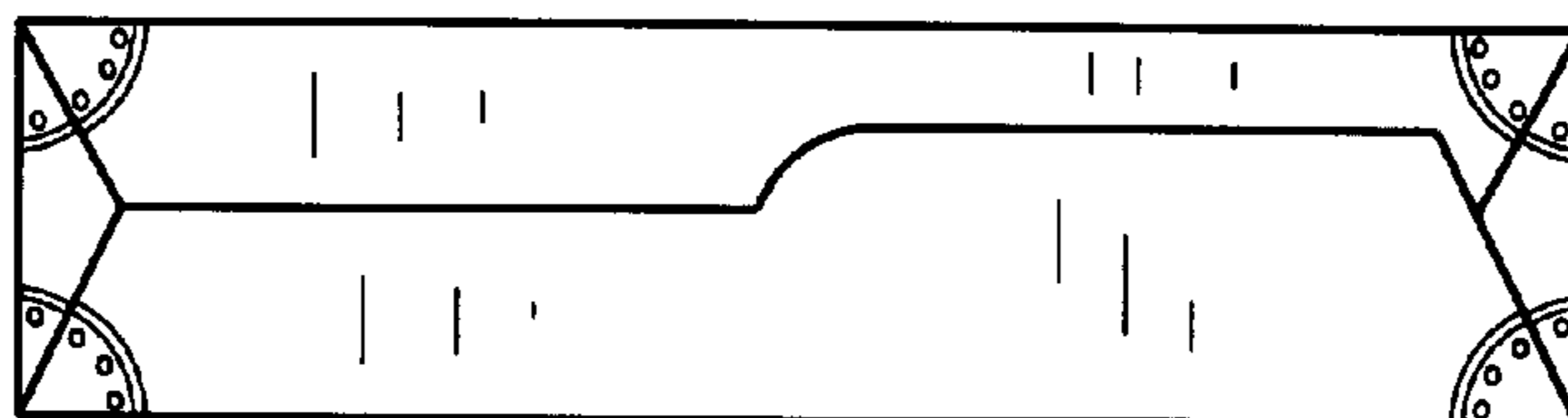


FIG. 7