



US00D456991S

(12) **United States Design Patent**
Achache

(10) **Patent No.:** **US D456,991 S**

(45) **Date of Patent:** **** May 14, 2002**

(54) **HANDBAG**

(76) Inventor: **Raquel Achache**, rue du Four, Paris (FR), 75006

(**) Term: **14 Years**

(21) Appl. No.: **29/145,305**

(22) Filed: **Jul. 18, 2001**

Related U.S. Application Data

(62) Division of application No. 29/116,437, filed on Jan. 4, 2000, now Pat. No. Des. 447,866.

(30) **Foreign Application Priority Data**

Jul. 5, 1999 (FR) 99 4397

(51) **LOC (7) Cl.** **03-01**

(52) **U.S. Cl.** **D3/233**

(58) **Field of Search** D3/201, 216, 217, D3/232, 233, 234, 225, 244, 246, 303, 318; 150/100, 106, 107, 110, 111, 112, 115, 117, 118, 127, 128, 129, 130, 154, 900, 901; 190/1, 100, 103, 104, 105, 106, 107, 124, 125, 126, 127, 903; 383/2, 4, 12, 21, 28, 38, 39, 40, 41, 42, 71, 72, 93, 97, 105, 106

(56) **References Cited**

U.S. PATENT DOCUMENTS

2,244,858 A * 6/1941 Stember 150/107

2,289,254 A * 7/1942 Eagles 383/97
D157,266 S * 2/1950 Kiernan 150/117
D252,055 S * 6/1979 Koffler D3/283
D423,215 S * 4/2000 Furlanetto D3/232
6,071,010 A * 6/2000 Chan 383/2

* cited by examiner

Primary Examiner—Louis S. Zarfes
Assistant Examiner—Monica A. Weingart
(74) *Attorney, Agent, or Firm*—Janis Biksa

(57) **CLAIM**

The ornamental design for a handbag, as shown and described.

DESCRIPTION

FIG. 1 is a perspective view of a first embodiment of a design according to the invention in an unfolded configuration and a closed position;
FIG. 2 is a front view of the design of FIG. 1;
FIG. 3 is a perspective view of the design of FIG. 1 in a folded configuration in an open position;
FIG. 4 is a perspective view of the design of FIG. 3 in a closed position;
FIG. 5 is a front view of the design of FIG. 3;
FIG. 6 is a top view of the design of FIG. 3;
FIG. 7 is a left side view of the design of FIG. 3;
FIG. 8 is a bottom view of the design of FIG. 3;
FIG. 9 is a back view of the design of FIG. 3; and,
FIG. 10 is a right side view of the design of FIG. 3.

1 Claim, 4 Drawing Sheets



FIG._1



FIG._2



FIG._3

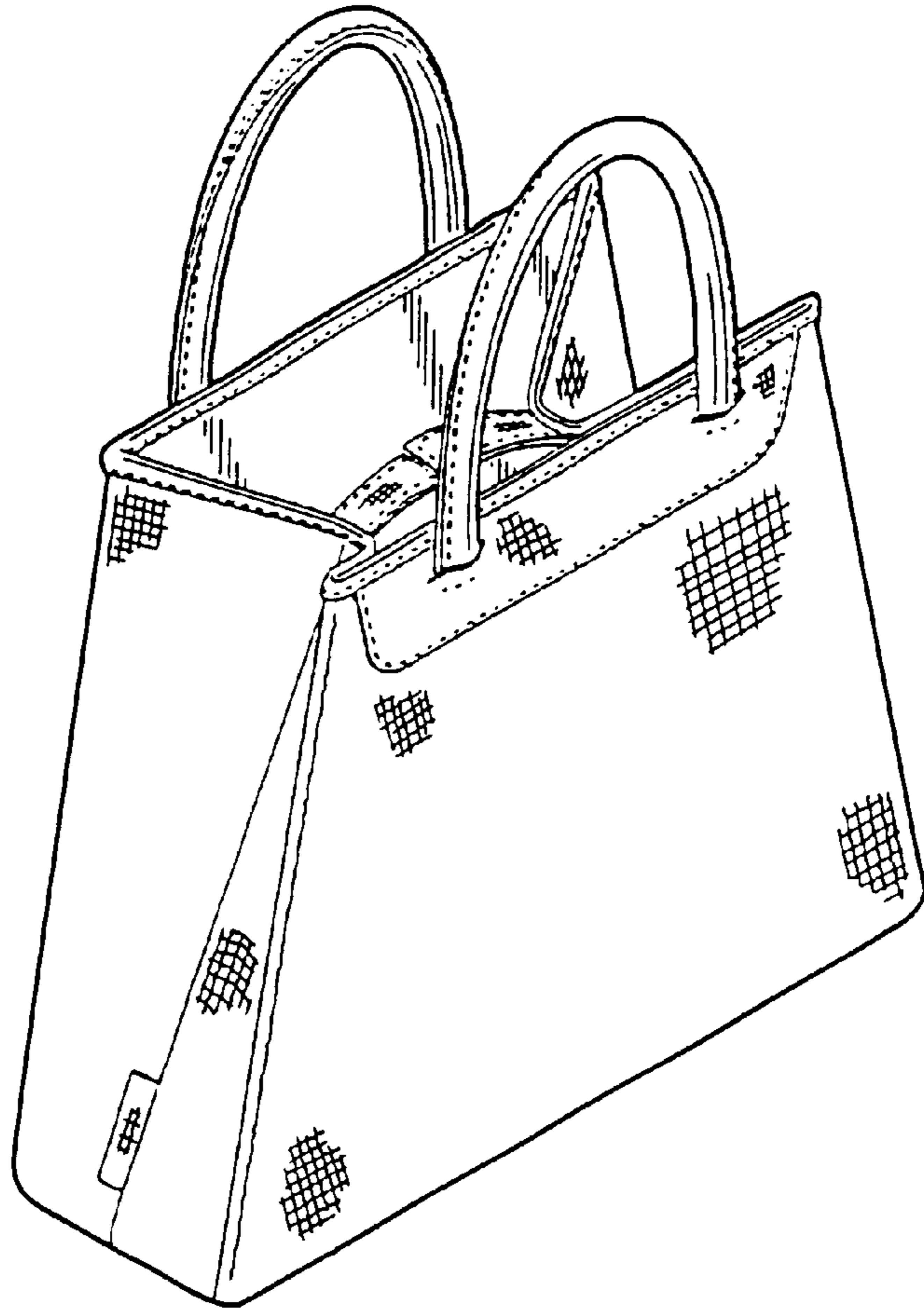


FIG._4





FIG._5

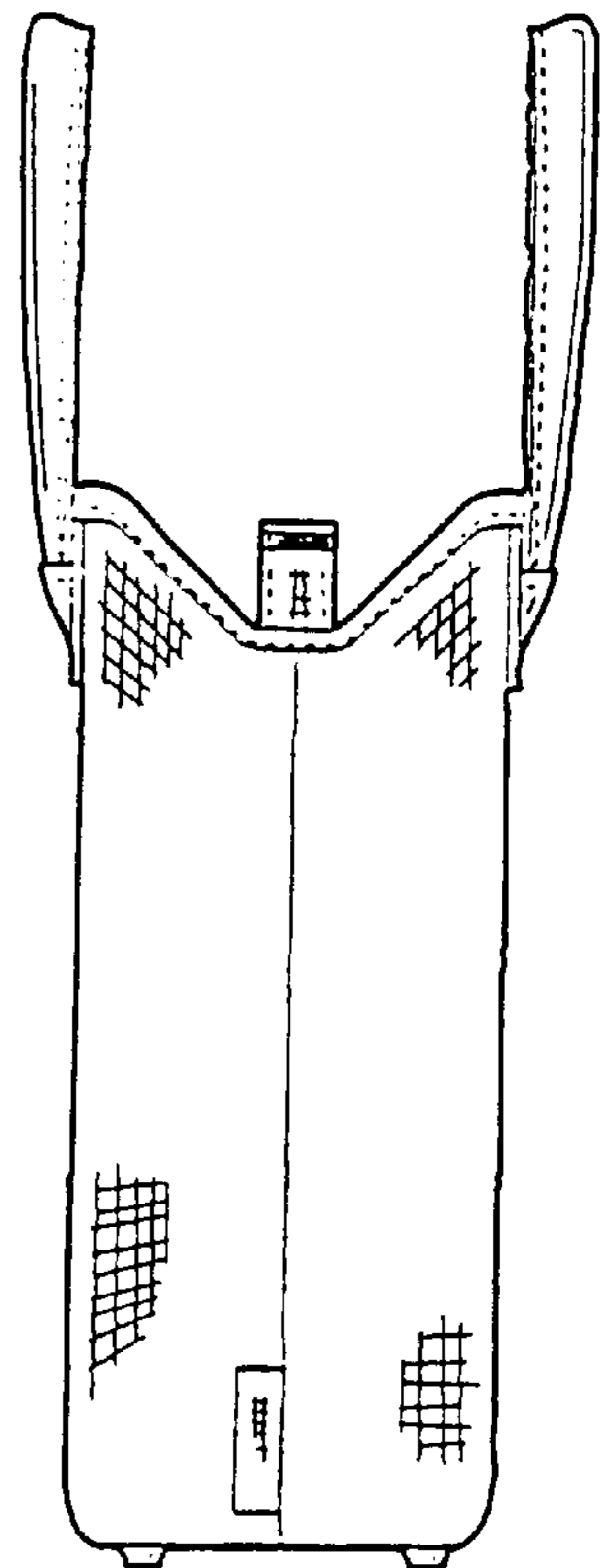


FIG._7

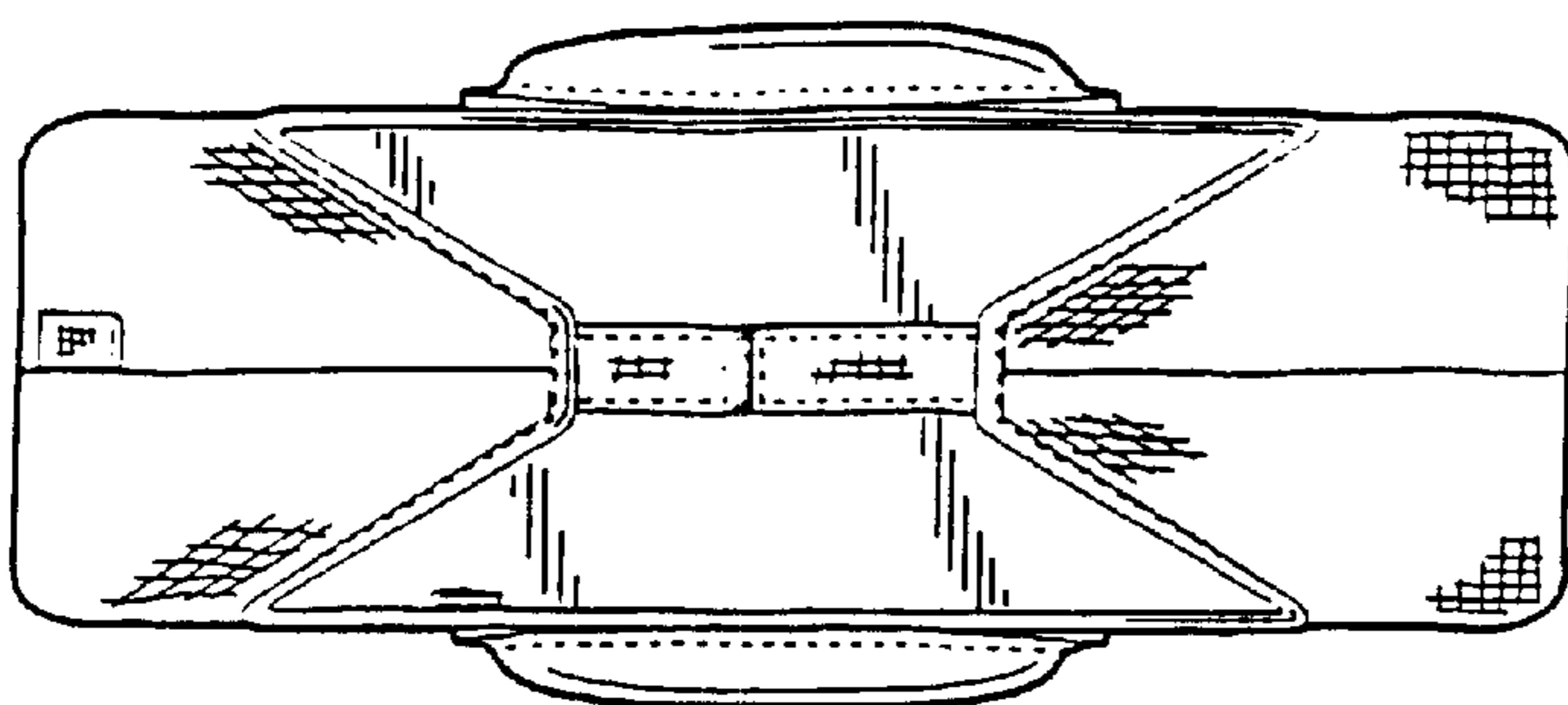


FIG._6

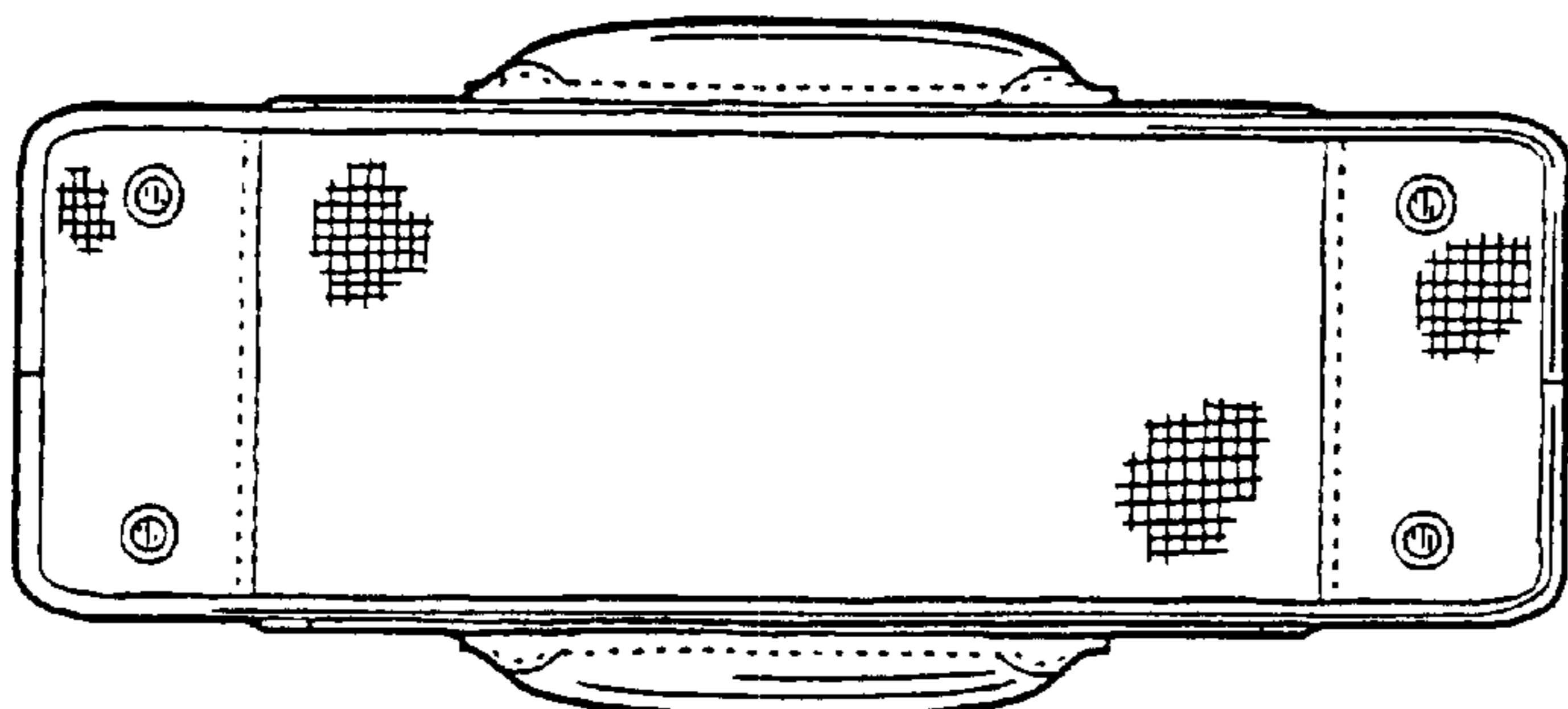


FIG._8



FIG._9

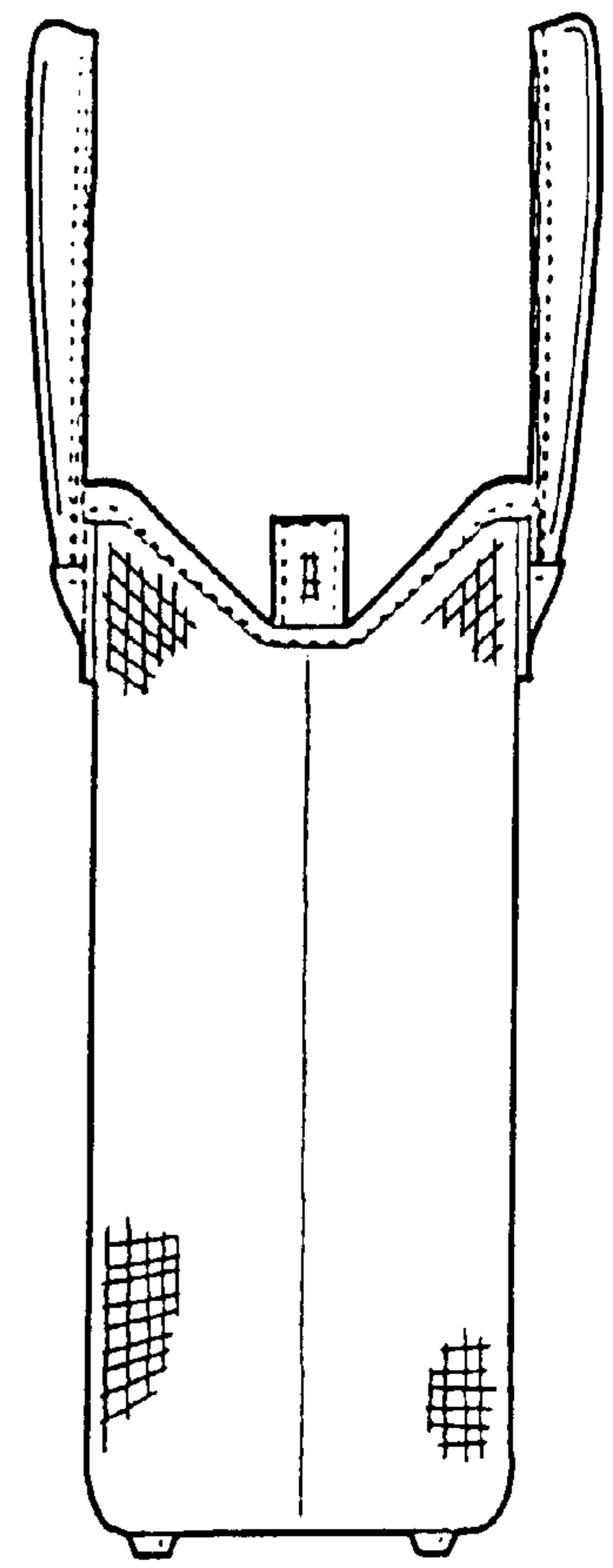


FIG._10