



US00D456990S

(12) **United States Design Patent**  
**Lusty**

(10) **Patent No.:** **US D456,990 S**

(45) **Date of Patent:** **\*\* May 14, 2002**

(54) **DRILL BIT ORGANIZER**

5,474,182 A \* 12/1995 Reney ..... 206/379  
5,823,346 A \* 10/1998 Weiner ..... 206/534

(76) Inventor: **Robert H. Lusty**, 5219 Minnetoga Ter.,  
Minnetonka, MN (US) 55343

\* cited by examiner

(\*\*) Term: **14 Years**

*Primary Examiner*—Catherine R. Oliver  
(74) *Attorney, Agent, or Firm*—Nikolai & Mersereau, P.A.

(21) Appl. No.: **29/135,668**

(57) **CLAIM**

(22) Filed: **Jan. 16, 2001**

The ornamental design for the drill bit organizer, as shown and described.

(51) **LOC (7) Cl.** ..... **03-01**

(52) **U.S. Cl.** ..... **D3/228**

(58) **Field of Search** ..... D3/215, 225, 227,  
D3/228, 300, 905, 274; 206/379, 443, 459.1,  
534, 528, 538, 459.5; D28/89, 76-91; D9/300,  
500, 503, 504

**DESCRIPTION**

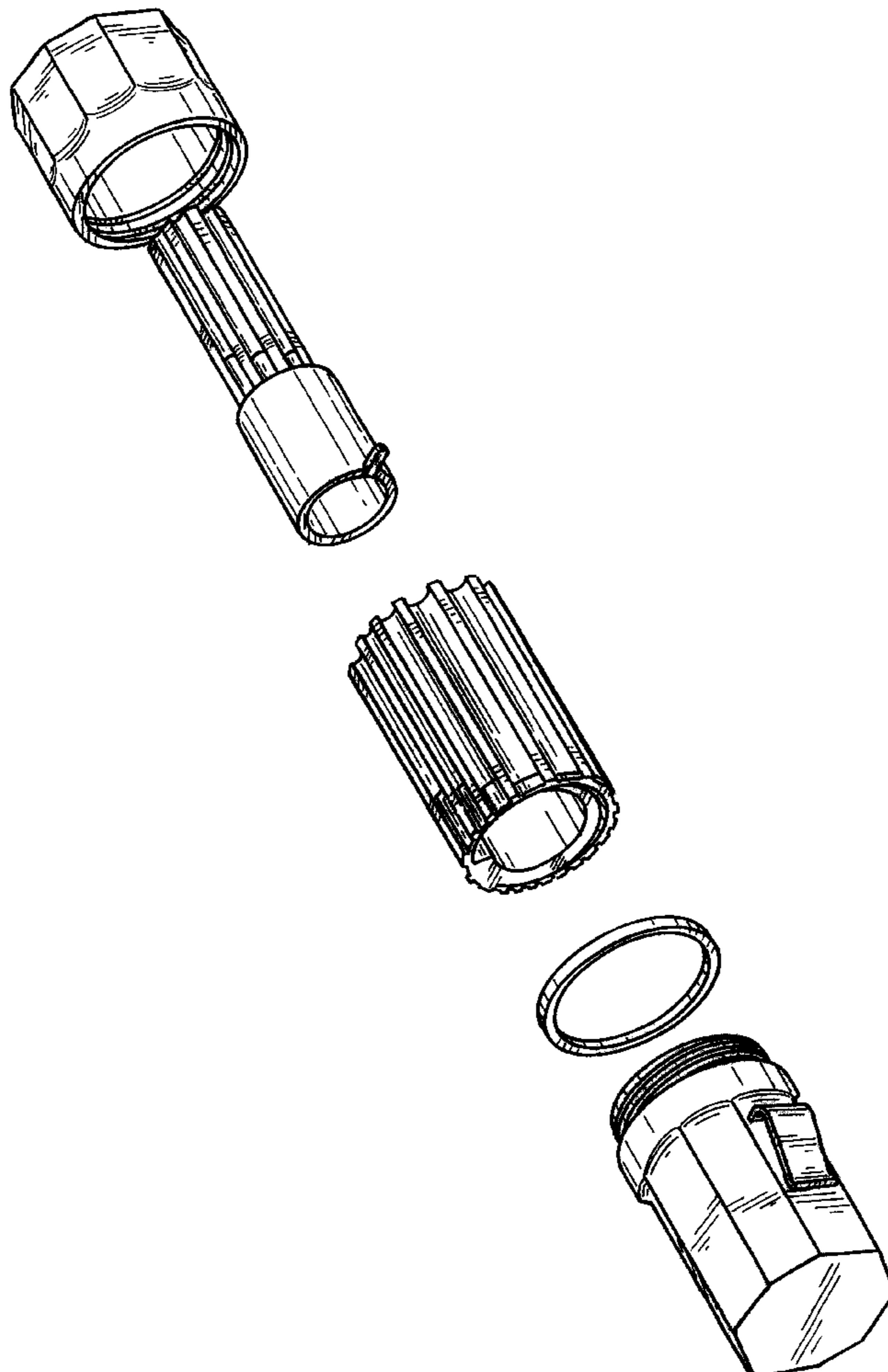
(56) **References Cited**

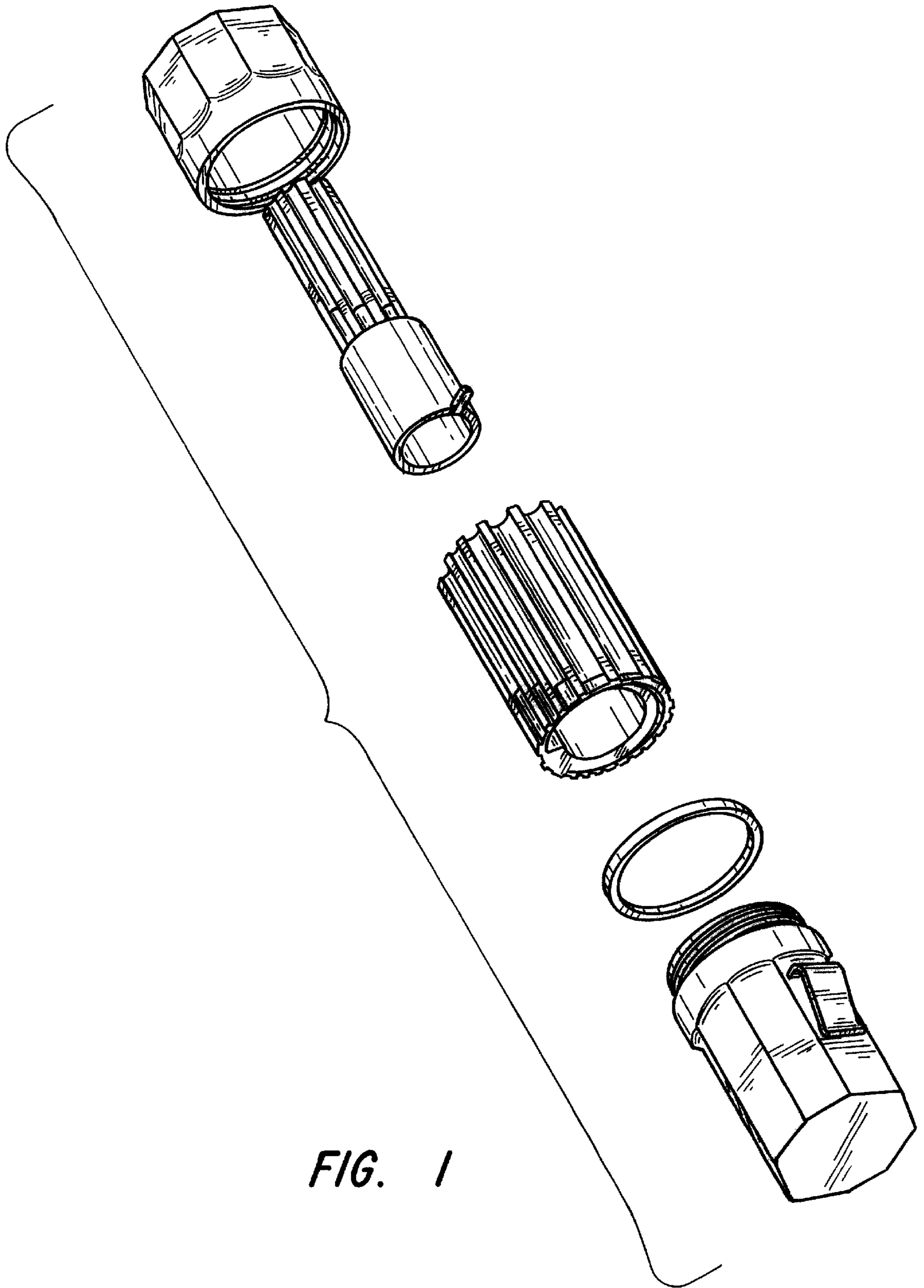
**U.S. PATENT DOCUMENTS**

3,615,004 A	*	10/1971	Wescott	.....	206/379
4,222,486 A	*	9/1980	Roth et al.	.....	206/379
D280,032 S	*	8/1985	Holloway	.....	D28/89
D281,835 S	*	12/1985	Ali	.....	D3/300
D288,985 S	*	3/1987	Ali et al.	.....	D3/300
D353,044 S	*	12/1994	Riley	.....	D3/228

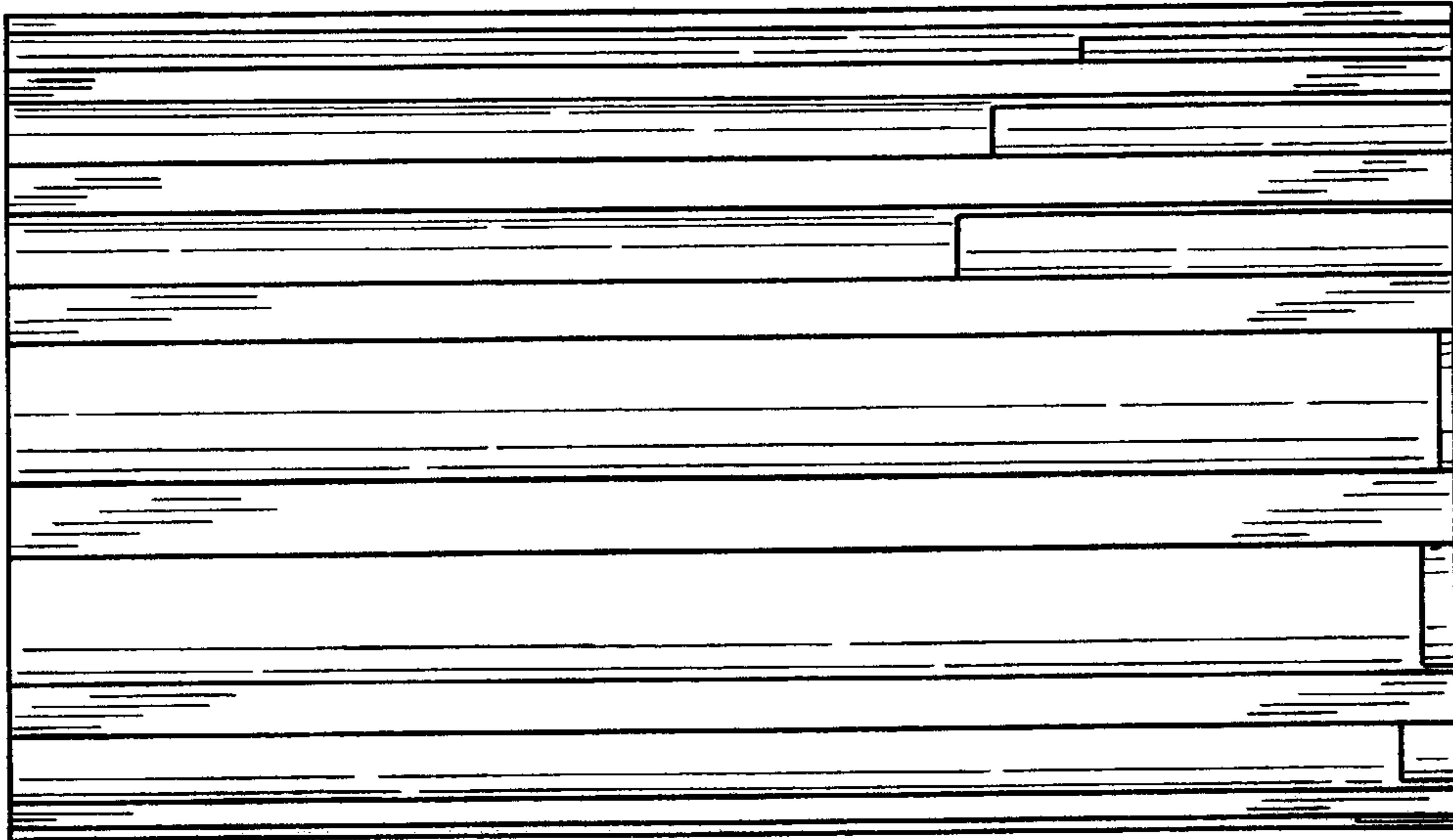
FIG. 1 is an exploded perspective view of a drill bit organizer showing my new design;  
FIG. 2 is a side view of the inner diameter drill bit holder;  
FIG. 3 is a side view of the outer diameter drill bit holder;  
FIG. 4 is a top view of the assembled inner and outer diameter drill bit holders;  
FIG. 5 is a bottom view of the assembled inner and outer diameter drill bit holders;  
FIG. 6 is a front side view of the drill bit organizer canister;  
and,  
FIG. 7 is a back side view of the drill bit organizer canister.

**1 Claim, 5 Drawing Sheets**

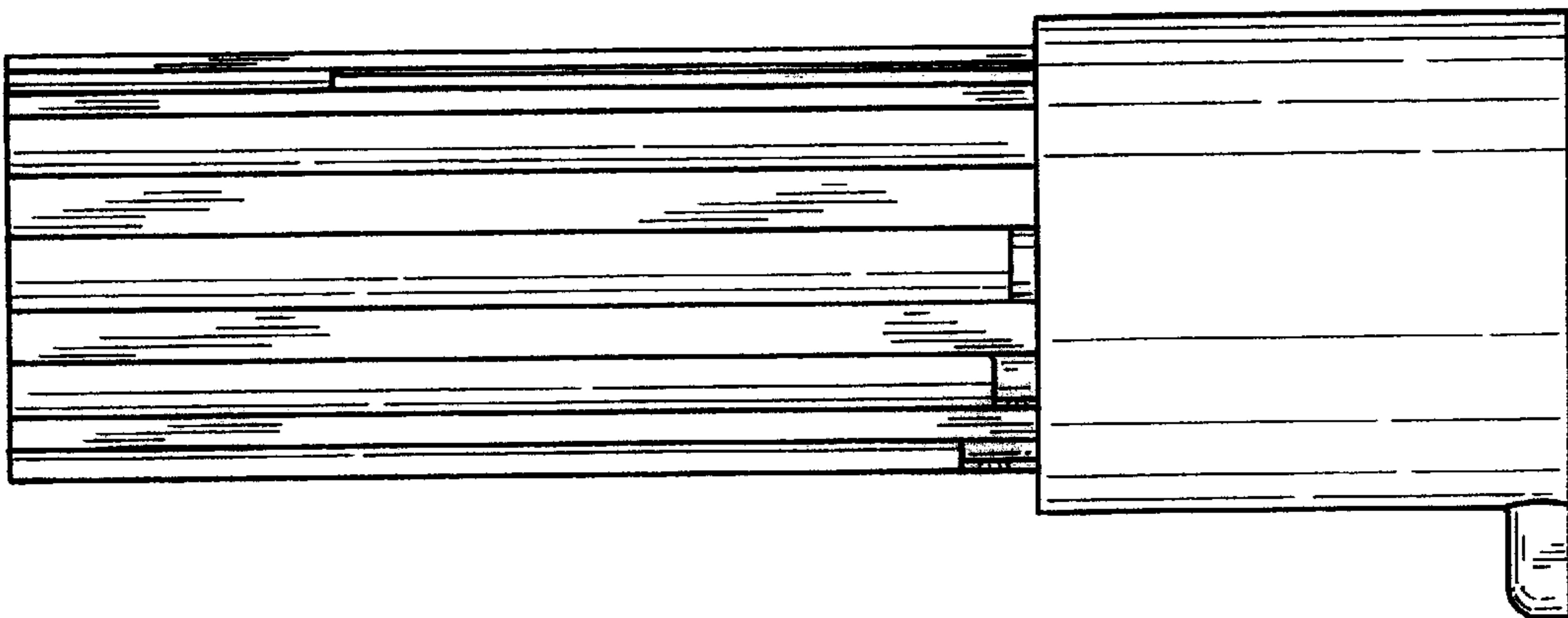




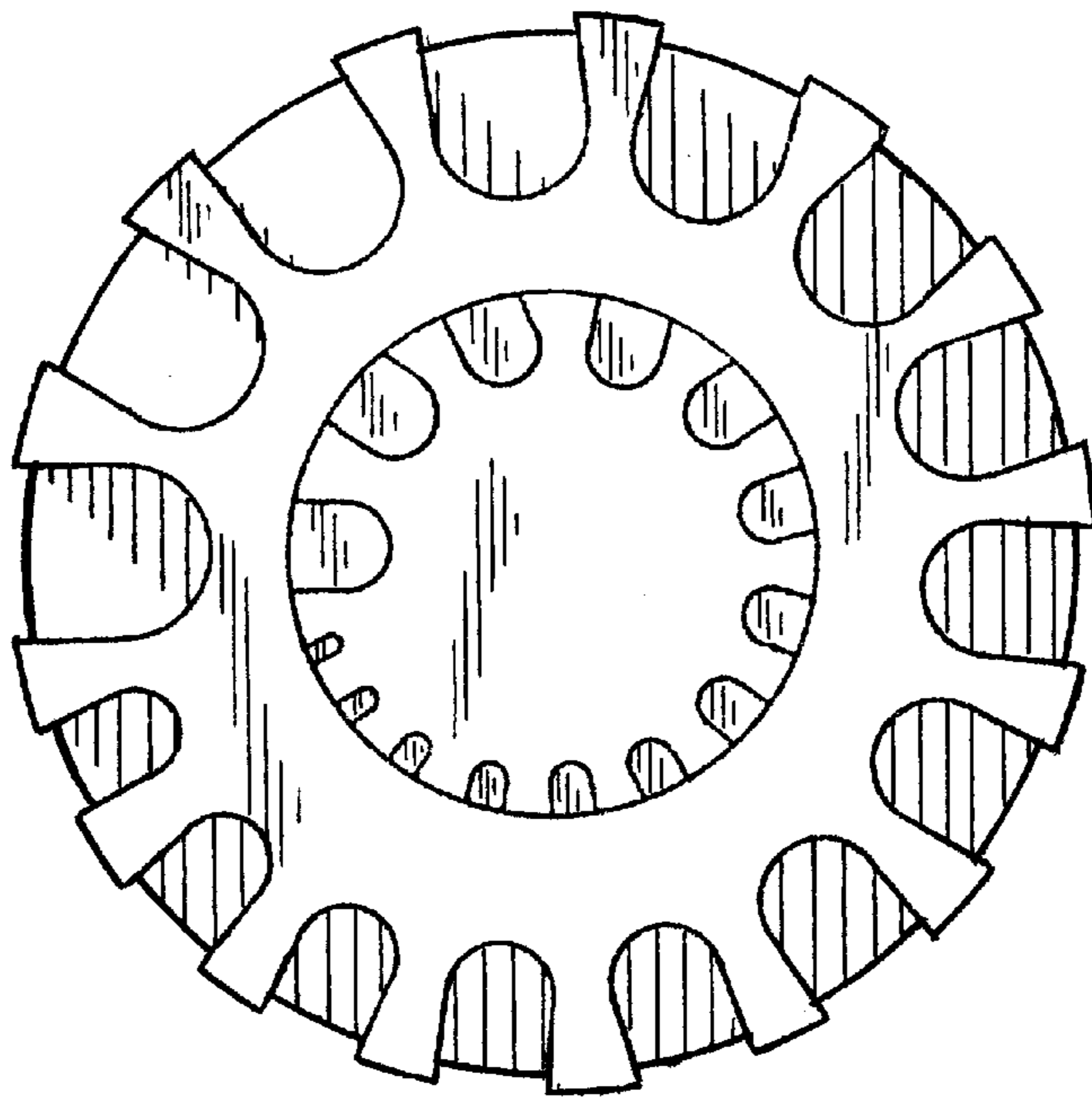
**FIG. 1**



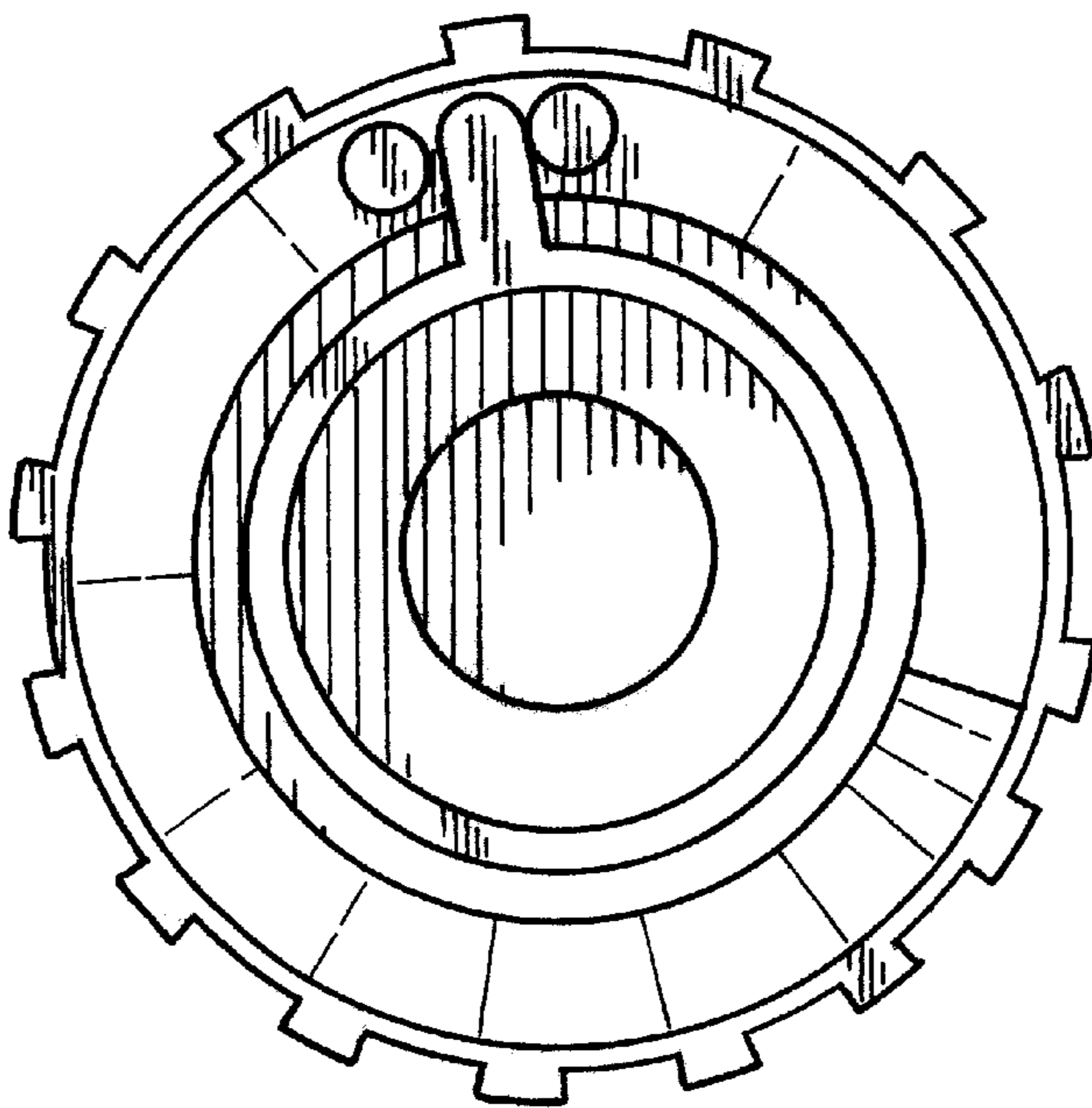
*FIG. 3*



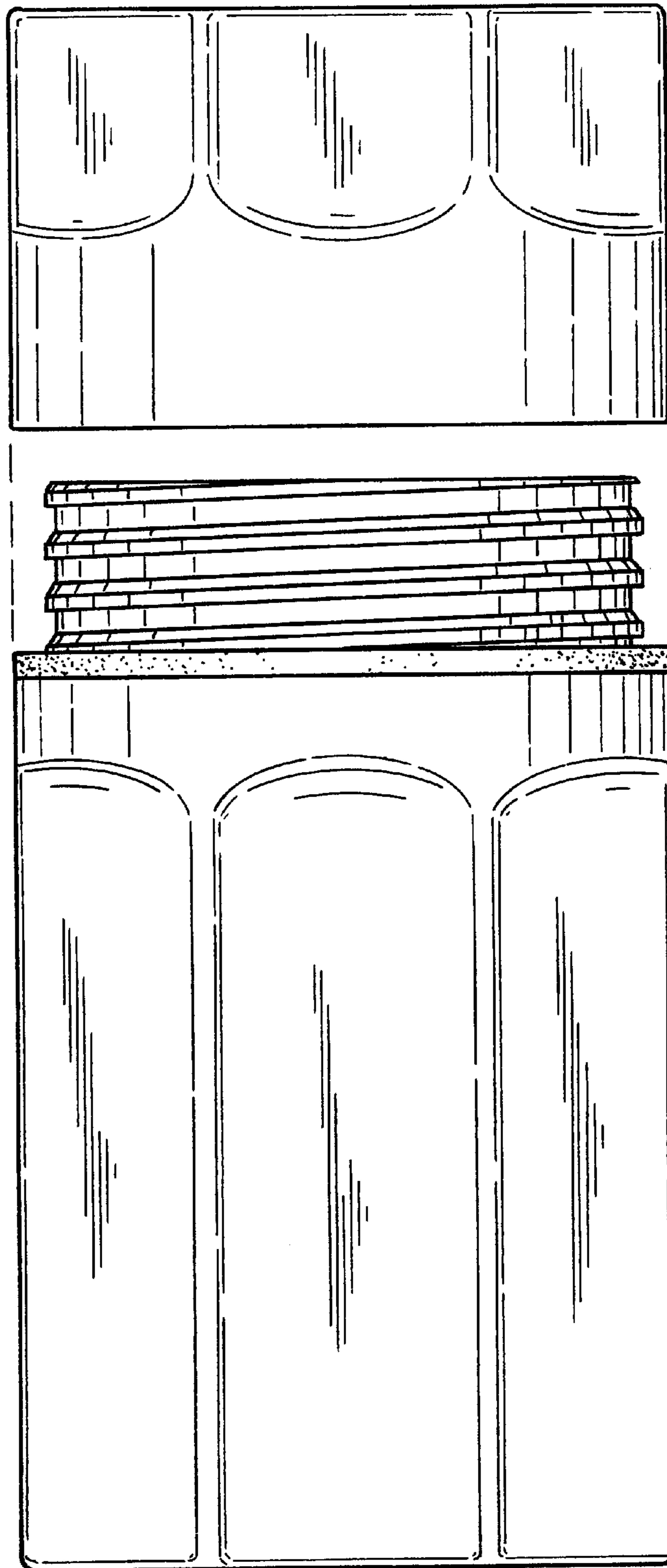
*FIG. 2*



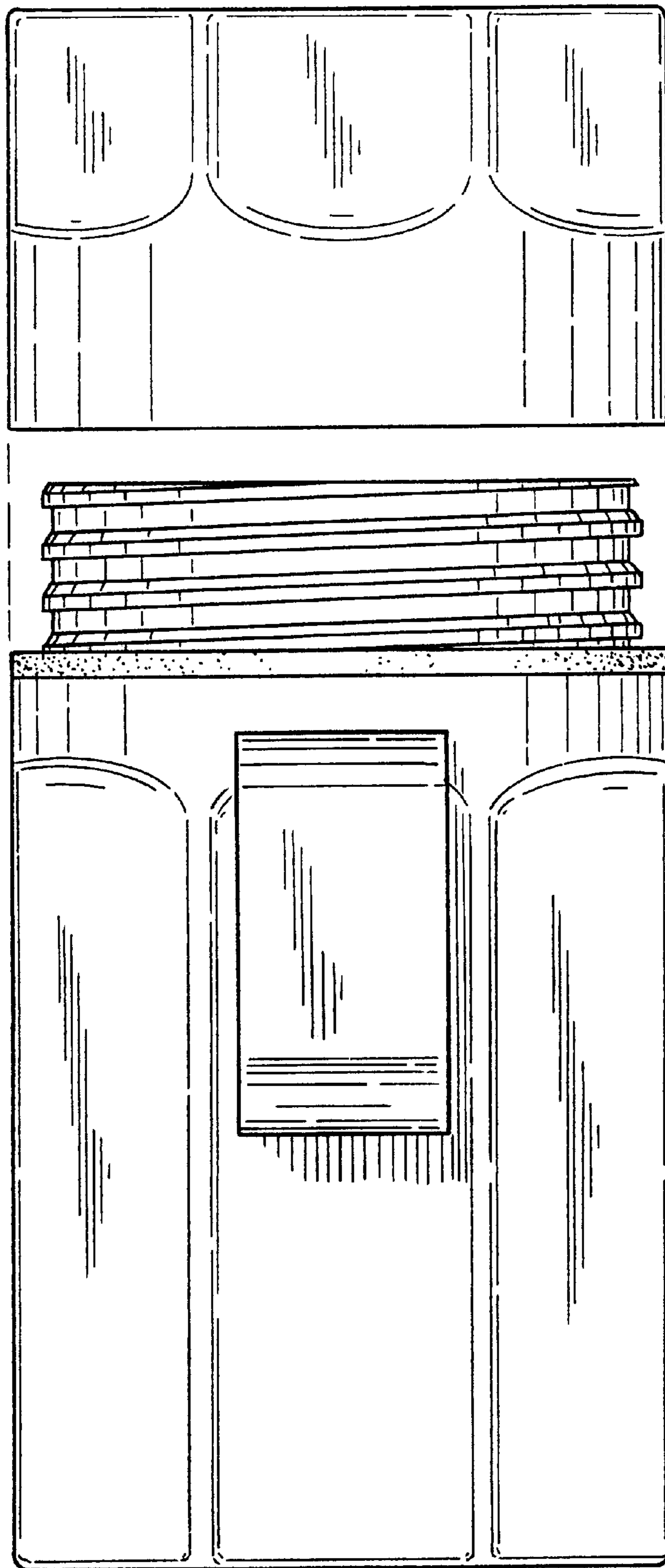
*FIG. 4*



*FIG. 5*



*FIG. 6*



*FIG. 7*