



US00D456989S

(12) **United States Design Patent**
Carothers et al.

(10) **Patent No.:** **US D456,989 S**

(45) **Date of Patent:** **** May 14, 2002**

(54) **BODY WALLET**

(76) Inventors: **Susan L. Carothers**, 447 Arcturus St.,
Thousand Oaks, CA (US) 91360; **Erin**
C. M. Hansen, 1448 Sunrise Ct.,
Camarillo, CA (US) 93010

(**) Term: **14 Years**

(21) Appl. No.: **29/131,774**

(22) Filed: **Oct. 26, 2000**

(51) **LOC (7) Cl.** **03-01**

(52) **U.S. Cl.** **D3/226**

(58) **Field of Search** D3/203, 215, 224,
D3/226, 247, 248, 232, 233, 201, 230;
224/240, 245, 236, 268, 269; 150/134,
139, 143, 102, 106, 132, 137

(56) **References Cited**

U.S. PATENT DOCUMENTS

3,147,896	A	*	9/1964	Kehl	224/240
D241,189	S	*	8/1976	Clark	D3/230
4,779,655	A	*	10/1988	Olson	150/134
4,903,745	A	*	2/1990	Roman	150/134
5,103,884	A	*	4/1992	Roman	150/134
D408,128	S	*	4/1999	Sheiner	D3/203

* cited by examiner

Primary Examiner—Catherine R. Oliver

(74) *Attorney, Agent, or Firm*—Richard D. Slehofer

(57) **CLAIM**

The ornamental design for a body wallet, as shown and described.

DESCRIPTION

FIG. 1 is a perspective view of our body wallet showing my new design, the broken lines showing a belt and top of a skirt or trousers are for illustrative purposes only and form no part of the claimed design;

FIG. 2 is a front elevational view thereof;

FIG. 3 is a right side elevational view thereof, the left side being identical;

FIG. 4 is a rear elevational view thereof;

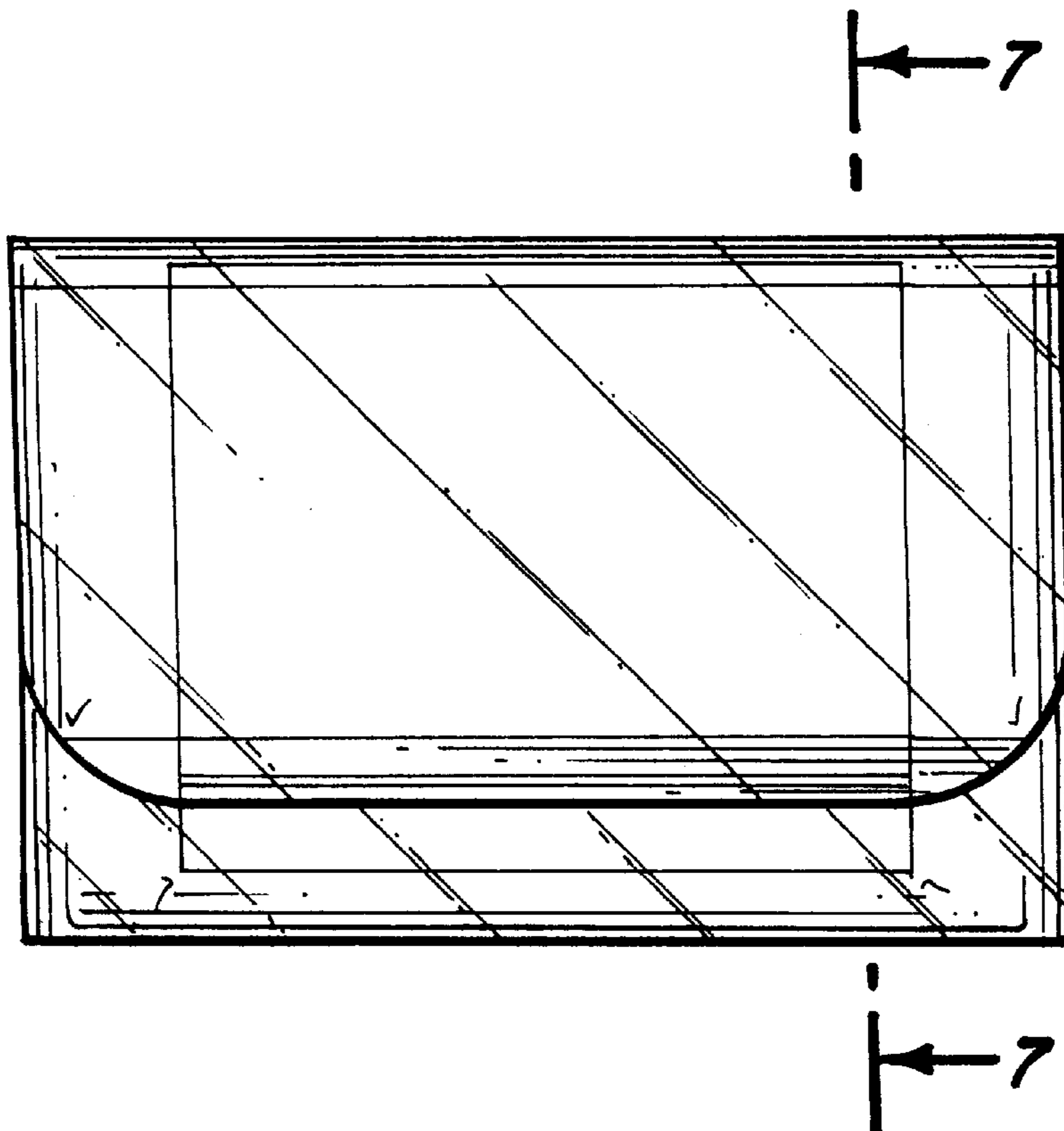
FIG. 5 is a top plan view thereof;

FIG. 6 is a bottom plan view thereof;

FIG. 7 is an enlarged cross-sectional view taken along line 7—7 of FIG. 2; and,

FIG. 8 is a perspective view of a second embodiment of FIG. 1, the remaining views being the same as that shown in FIGS. 2—7 with the exception of the transparency.

1 Claim, 2 Drawing Sheets



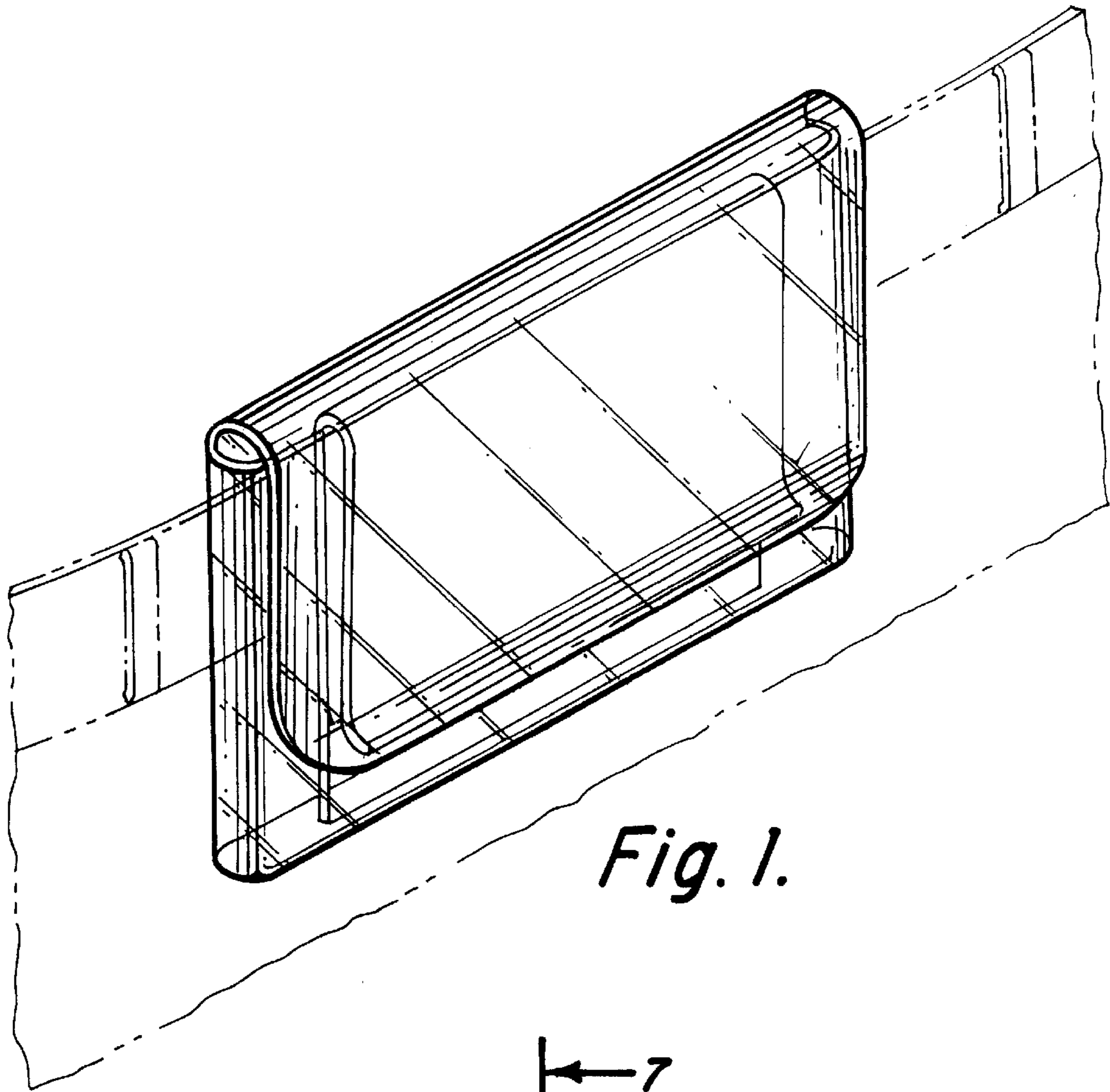


Fig. 1.

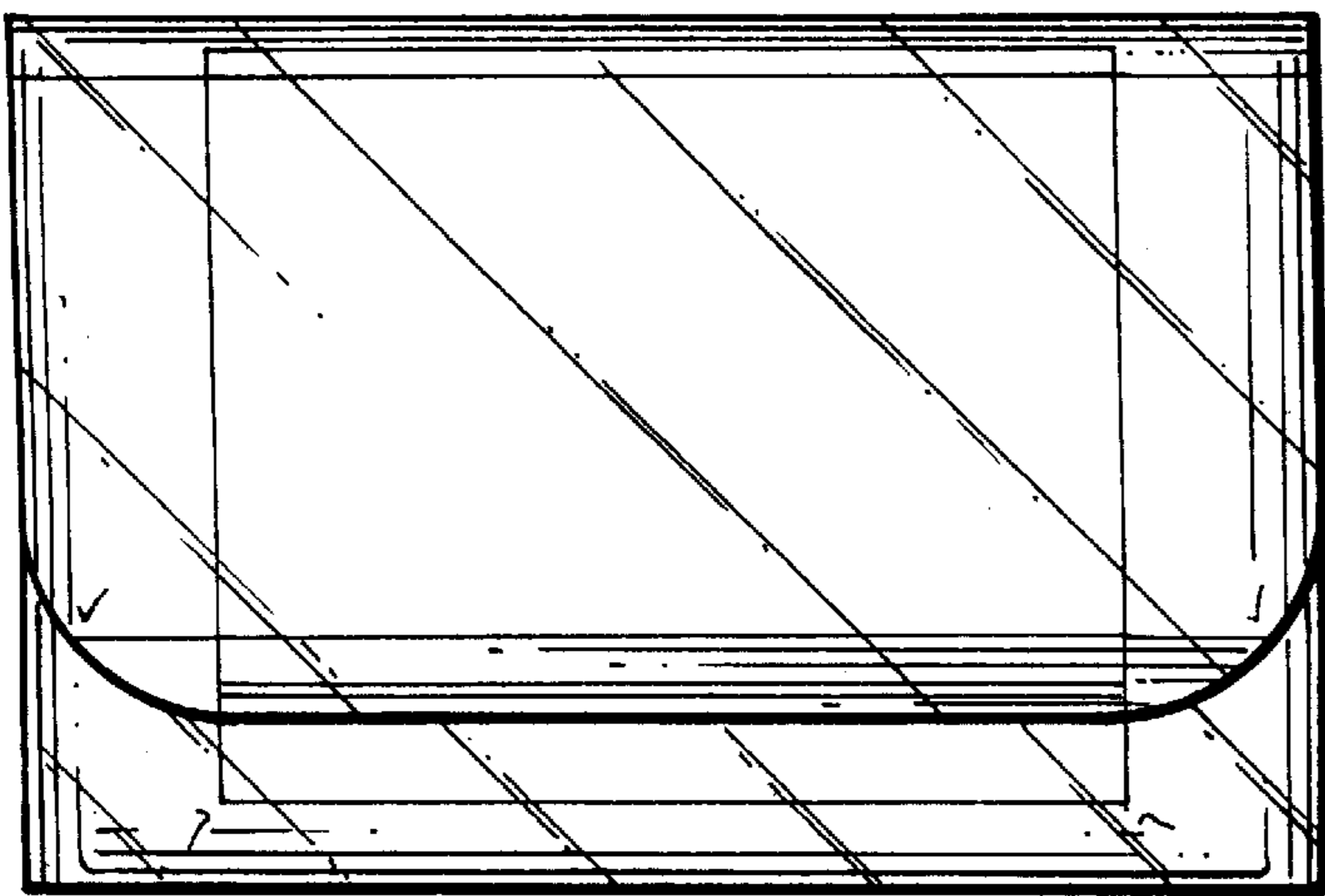
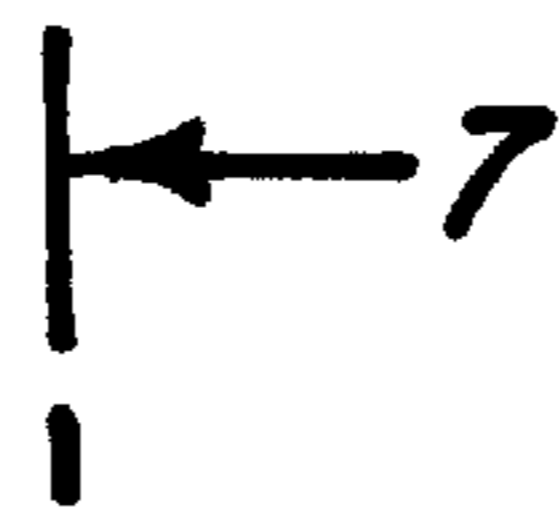


Fig. 2.



Fig. 3.

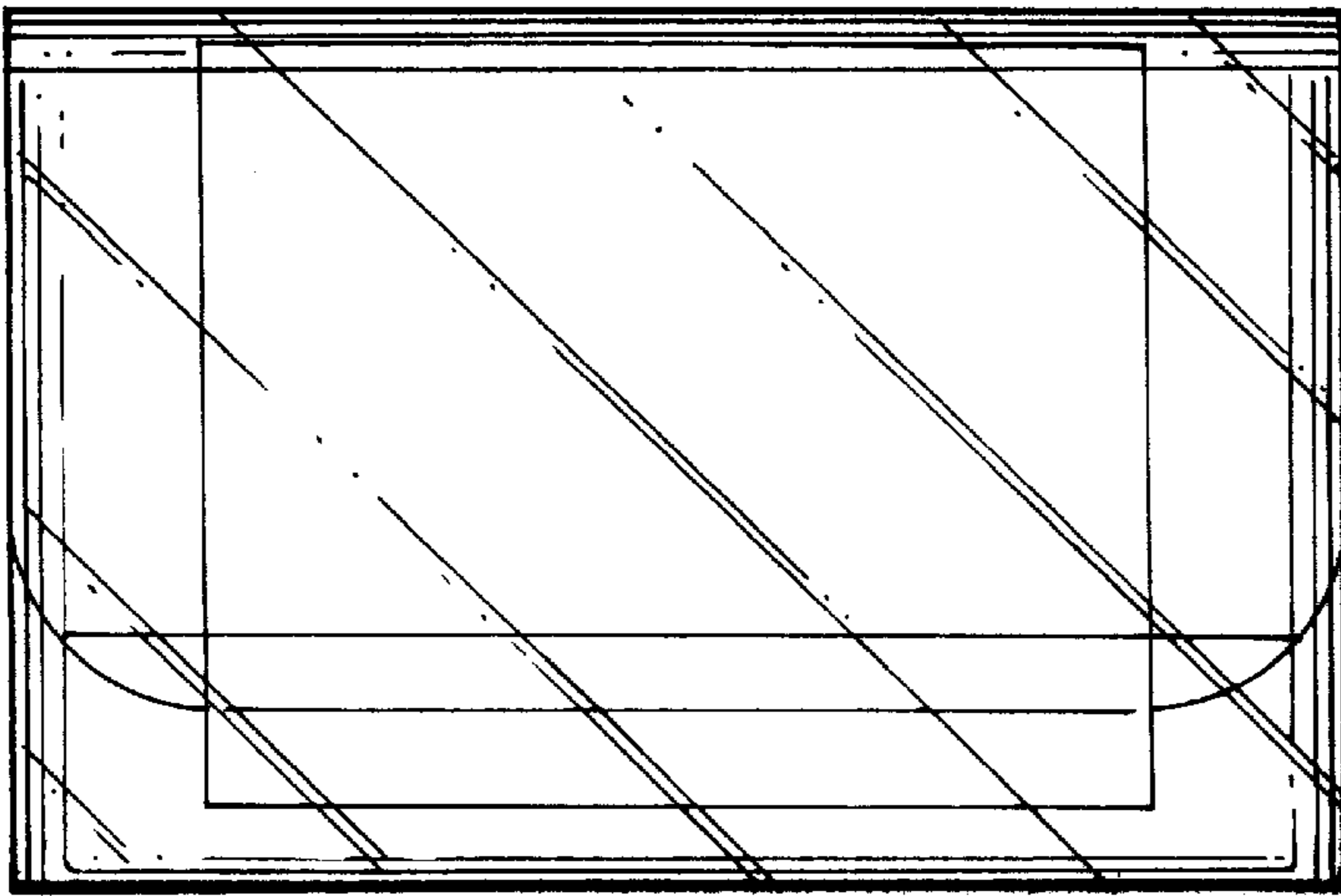


Fig. 4.

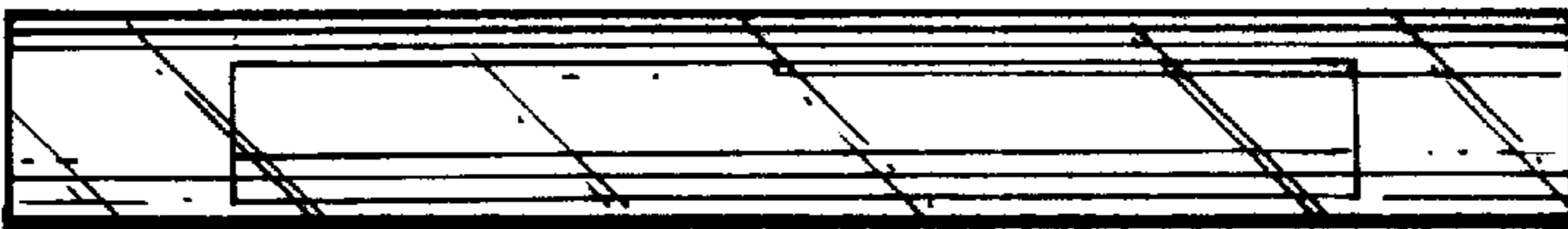


Fig. 5.

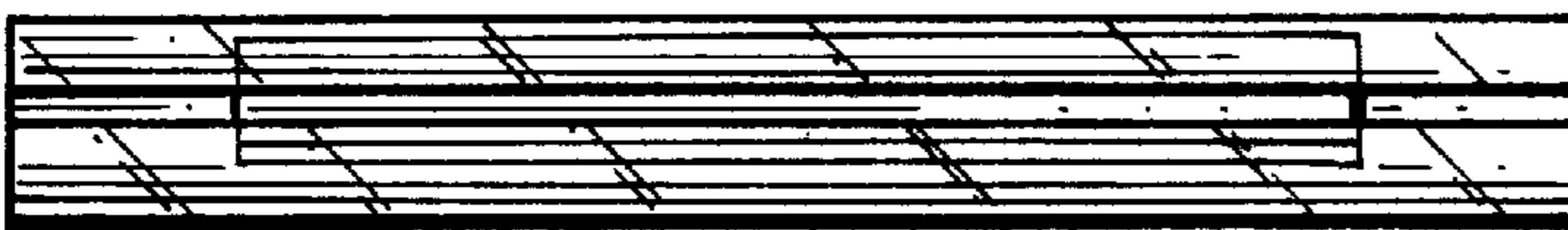


Fig. 6.

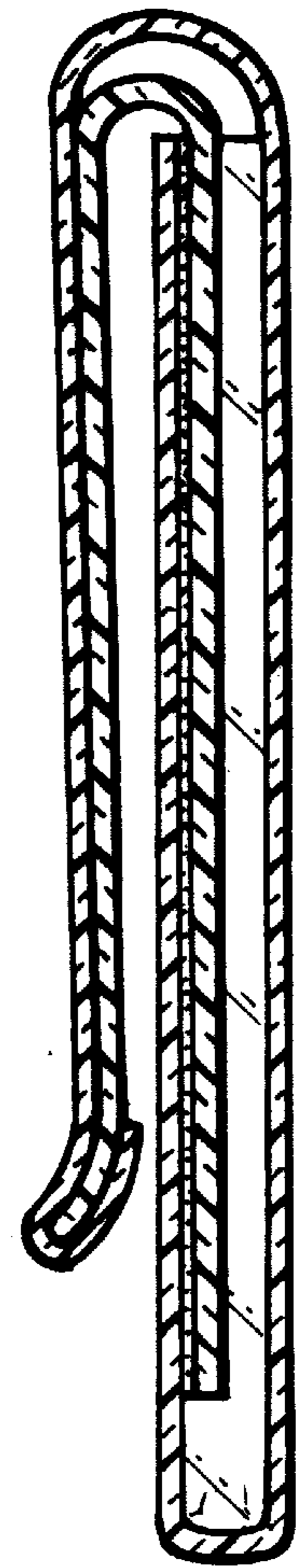


Fig. 7.

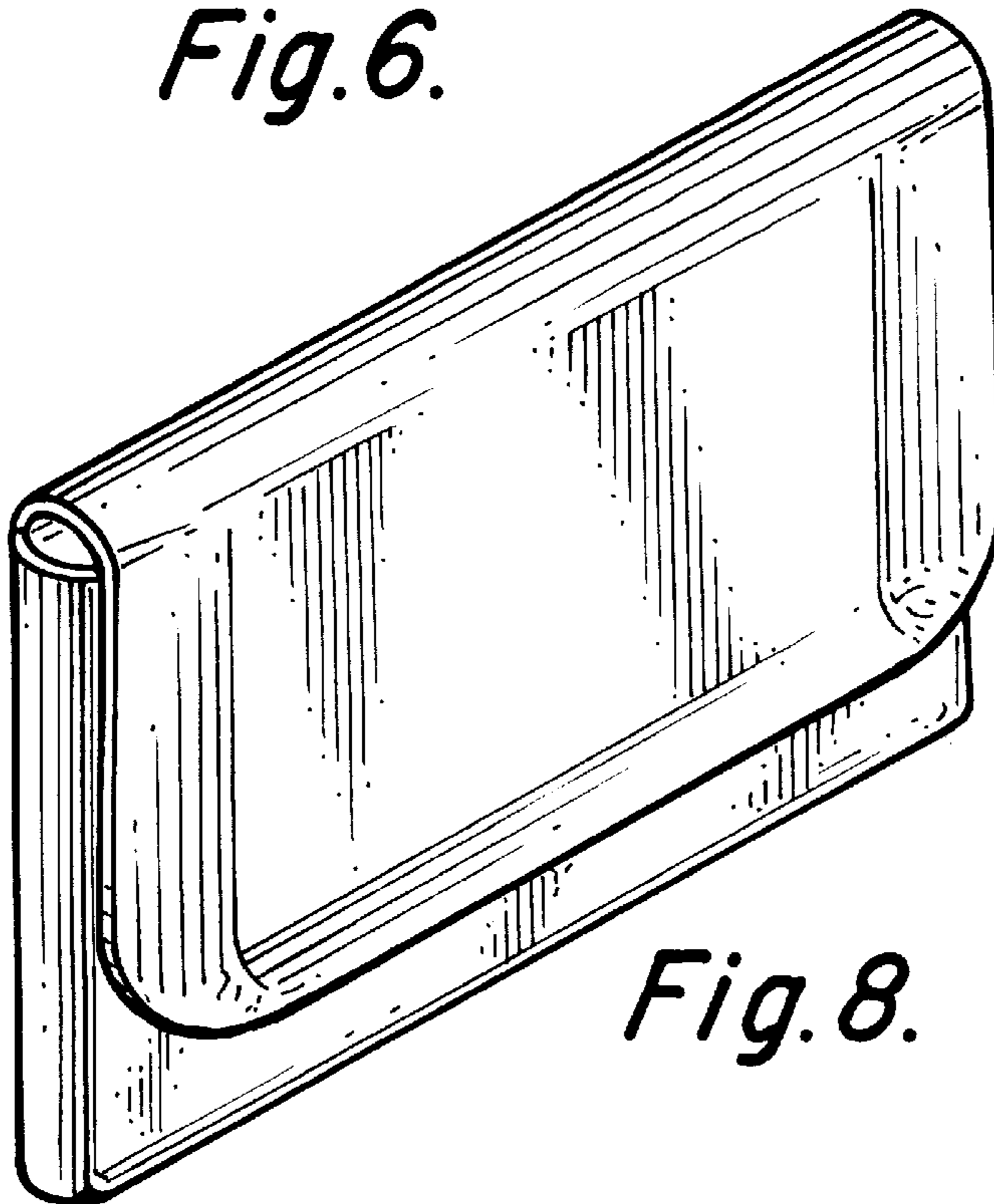


Fig. 8.