



US00D456988S

(12) **United States Design Patent**  
**Krieger**

(10) **Patent No.:** **US D456,988 S**

(45) **Date of Patent:** **\*\* \*May 14, 2002**

(54) **PORTABLE RECHARGEABLE BATTERY  
PACK**

5,680,026 A \* 10/1997 Lueschen ..... 224/902 X  
D387,898 S \* 12/1997 Ronzani ..... D3/215

(75) Inventor: **Michael Krieger**, Miami Beach, FL  
(US)

\* cited by examiner

(73) Assignee: **Vector Manufacturing, Ltd.**,  
Hollywood, FL (US)

*Primary Examiner*—Louis S. Zarfaz

*Assistant Examiner*—Catherine R. Oliver

(74) *Attorney, Agent, or Firm*—Venable; Robert Kinberg

(\* ) Notice: This patent is subject to a terminal dis-  
claimer.

(57) **CLAIM**

The ornamental design for a portable rechargeable battery  
pack, as shown and described.

(\*\*) Term: **14 Years**

**DESCRIPTION**

(21) Appl. No.: **29/109,116**

FIG. 1 is a top view of the portable rechargeable battery pack  
according to the present invention;

(22) Filed: **Aug. 11, 1999**

FIG. 2 is a bottom view of the portable rechargeable battery  
pack shown in FIG. 1;

(51) **LOC (7) Cl.** ..... **03-01**

(52) **U.S. Cl.** ..... **D3/215**

FIG. 3 is a front view of the portable rechargeable battery  
pack shown in FIG. 1;

(58) **Field of Search** ..... D3/215, 218, 226;  
224/902, 240; D14/103, 106, 119

FIG. 4 is a rear view of the portable rechargeable battery  
pack shown in FIG. 1;

(56) **References Cited**

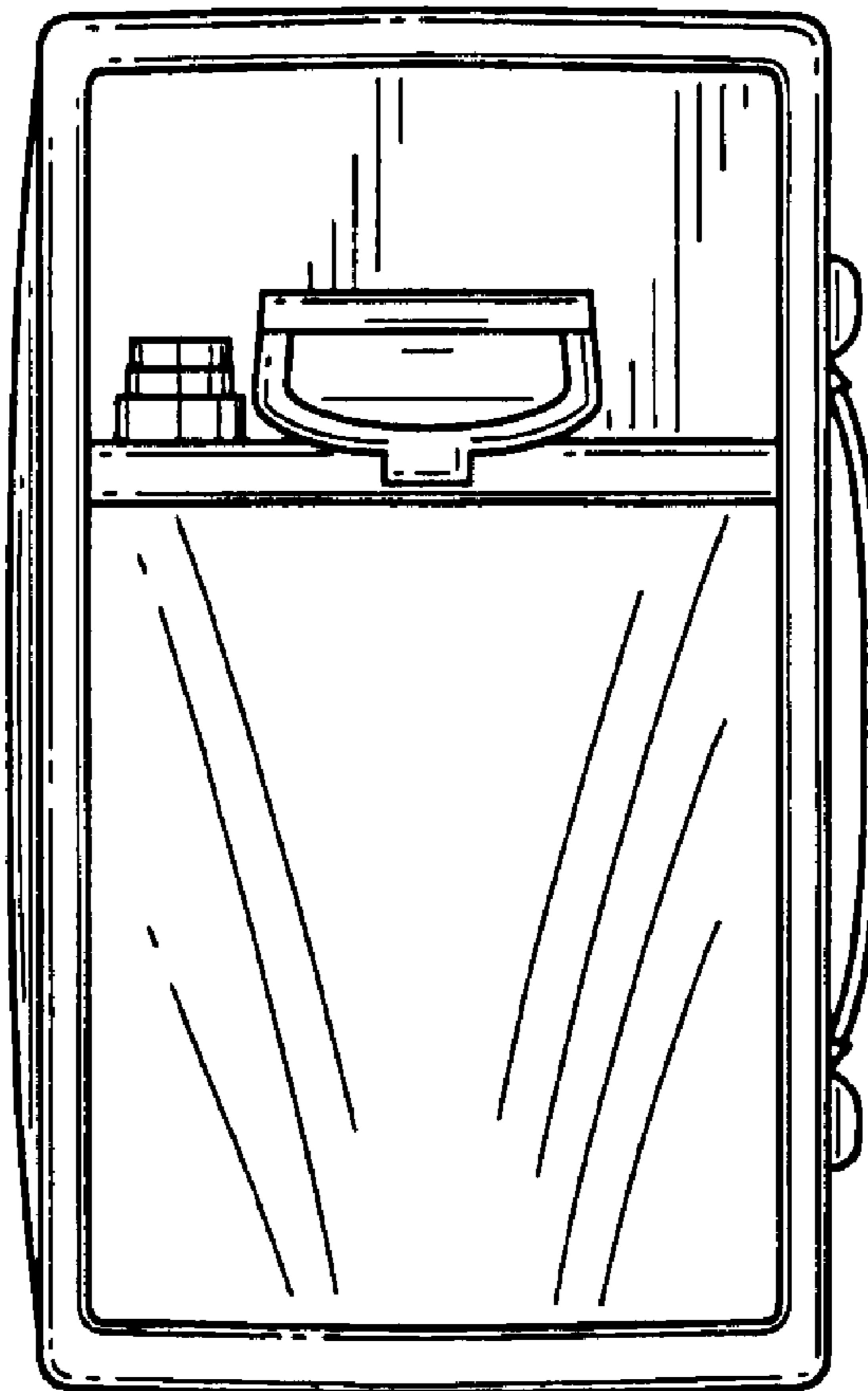
**U.S. PATENT DOCUMENTS**

D278,386 S \* 4/1985 Share ..... D3/226  
5,220,269 A \* 6/1993 Chen et al. .... 224/902 X  
5,369,565 A \* 11/1994 Chen et al. .... 224/902 X

FIG. 5 is a right side view of the portable rechargeable  
battery pack shown in FIG. 1; and,

FIG. 6 is a left side view of the portable rechargeable battery  
pack shown in FIG. 1.

**1 Claim, 3 Drawing Sheets**



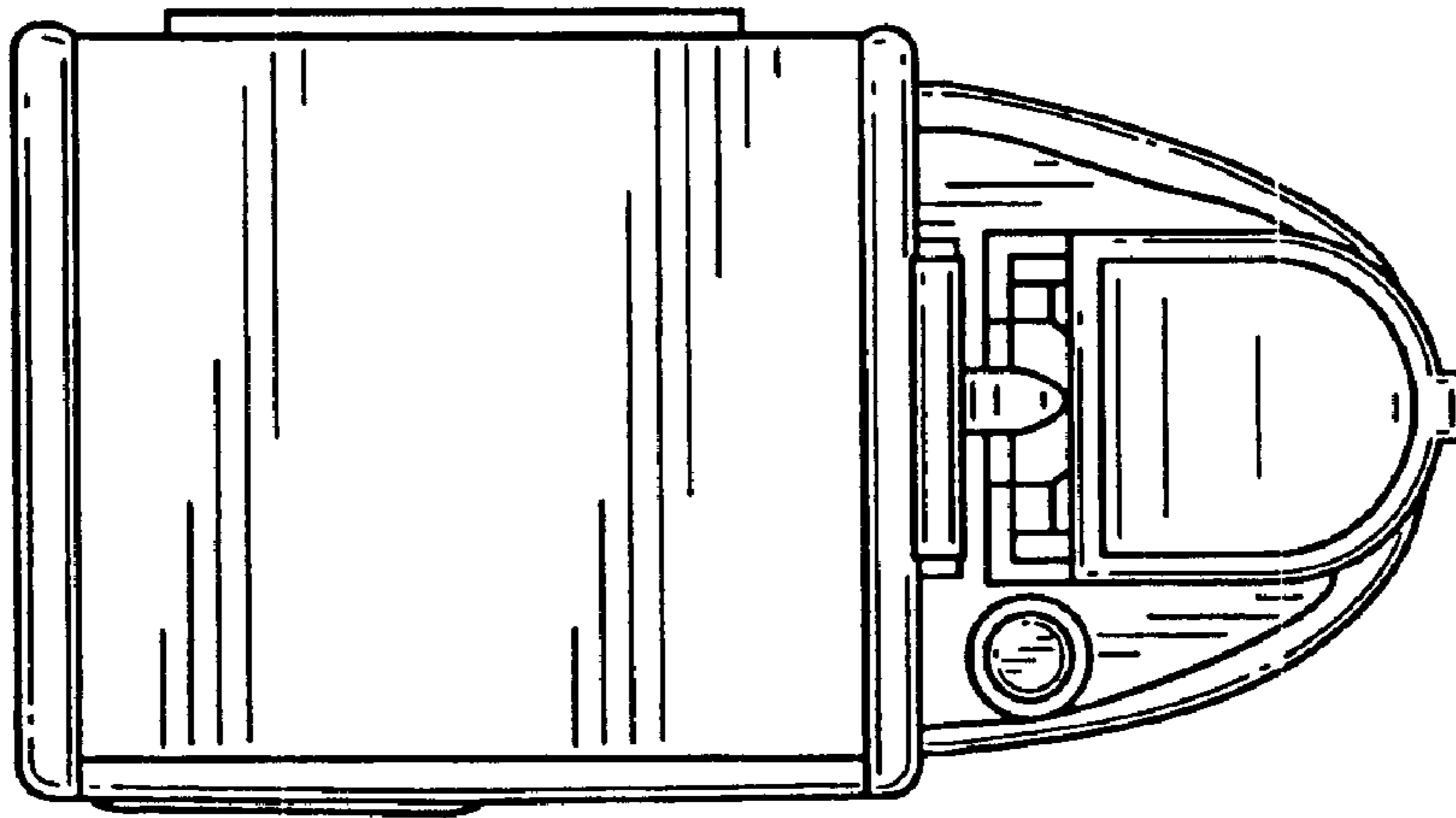


FIG. 1

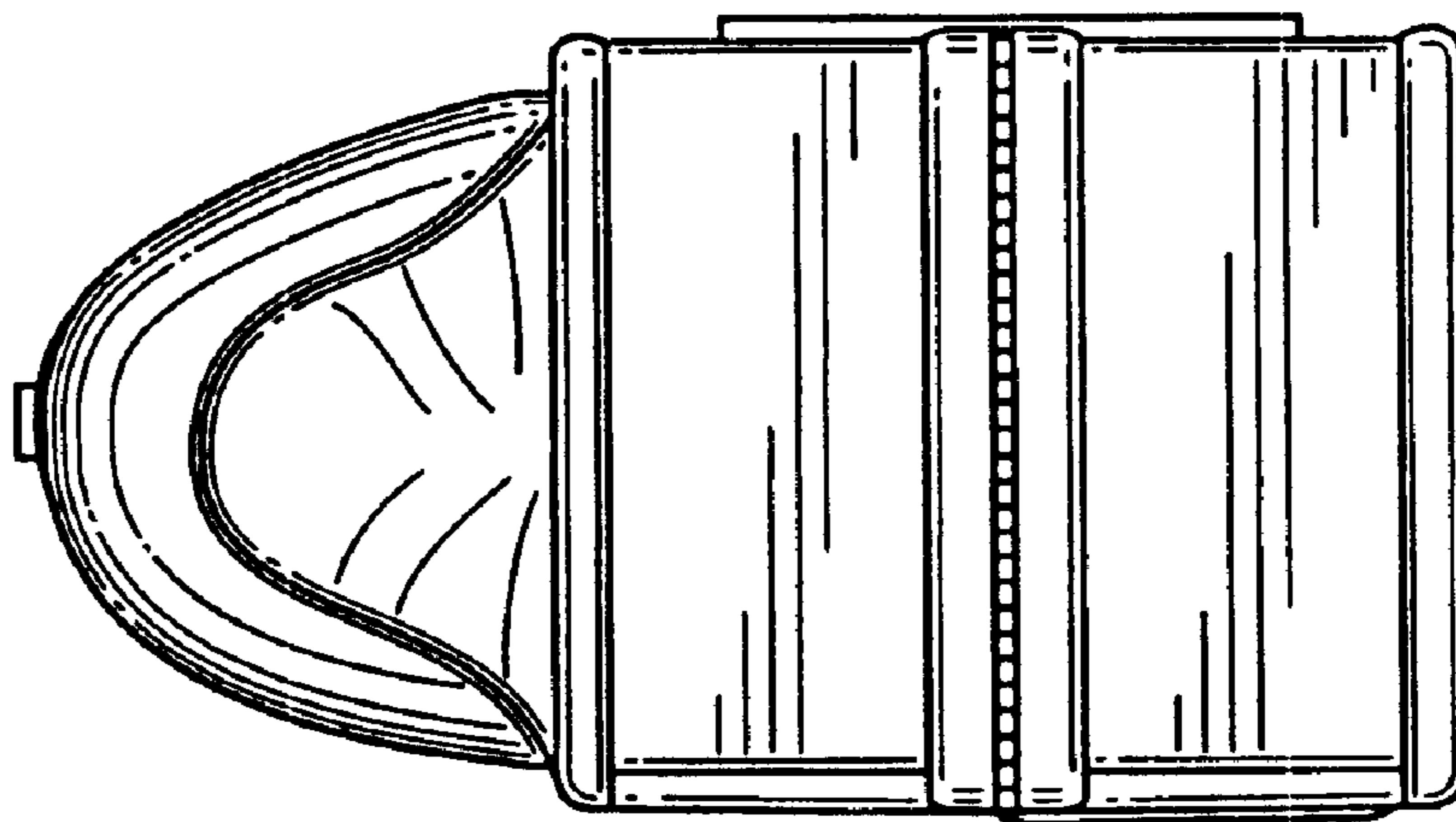


FIG. 2

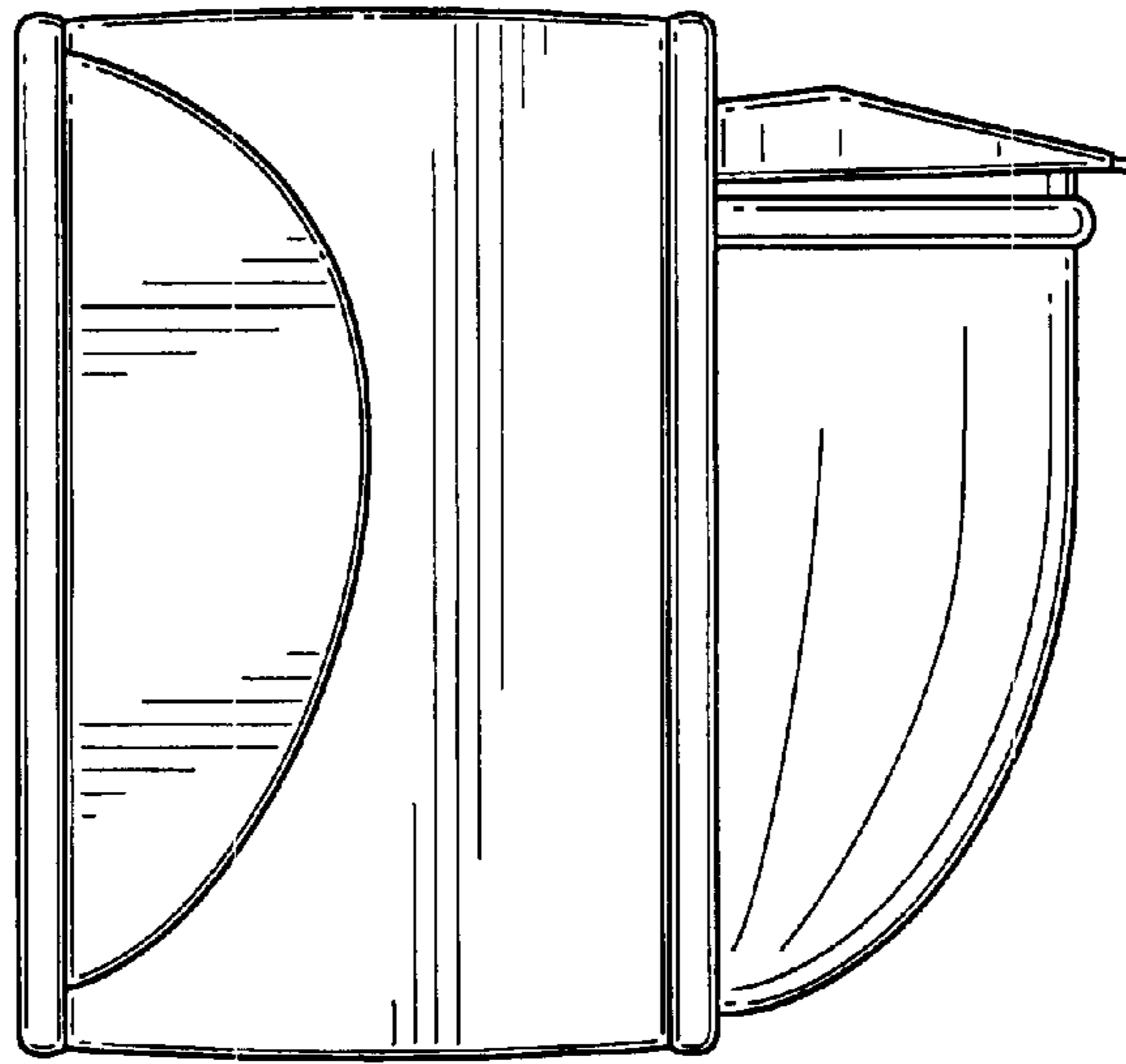


FIG. 3

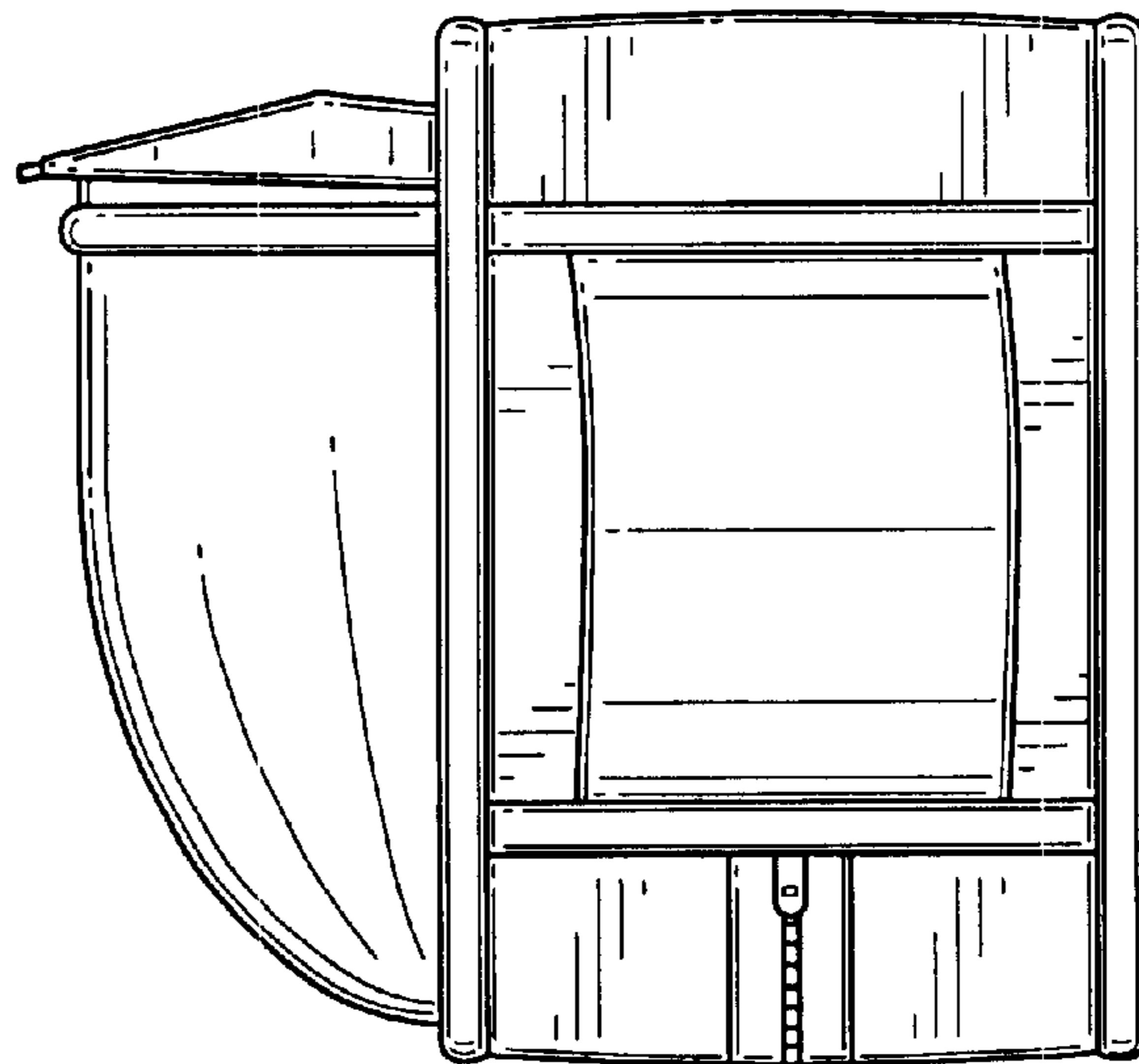


FIG. 4

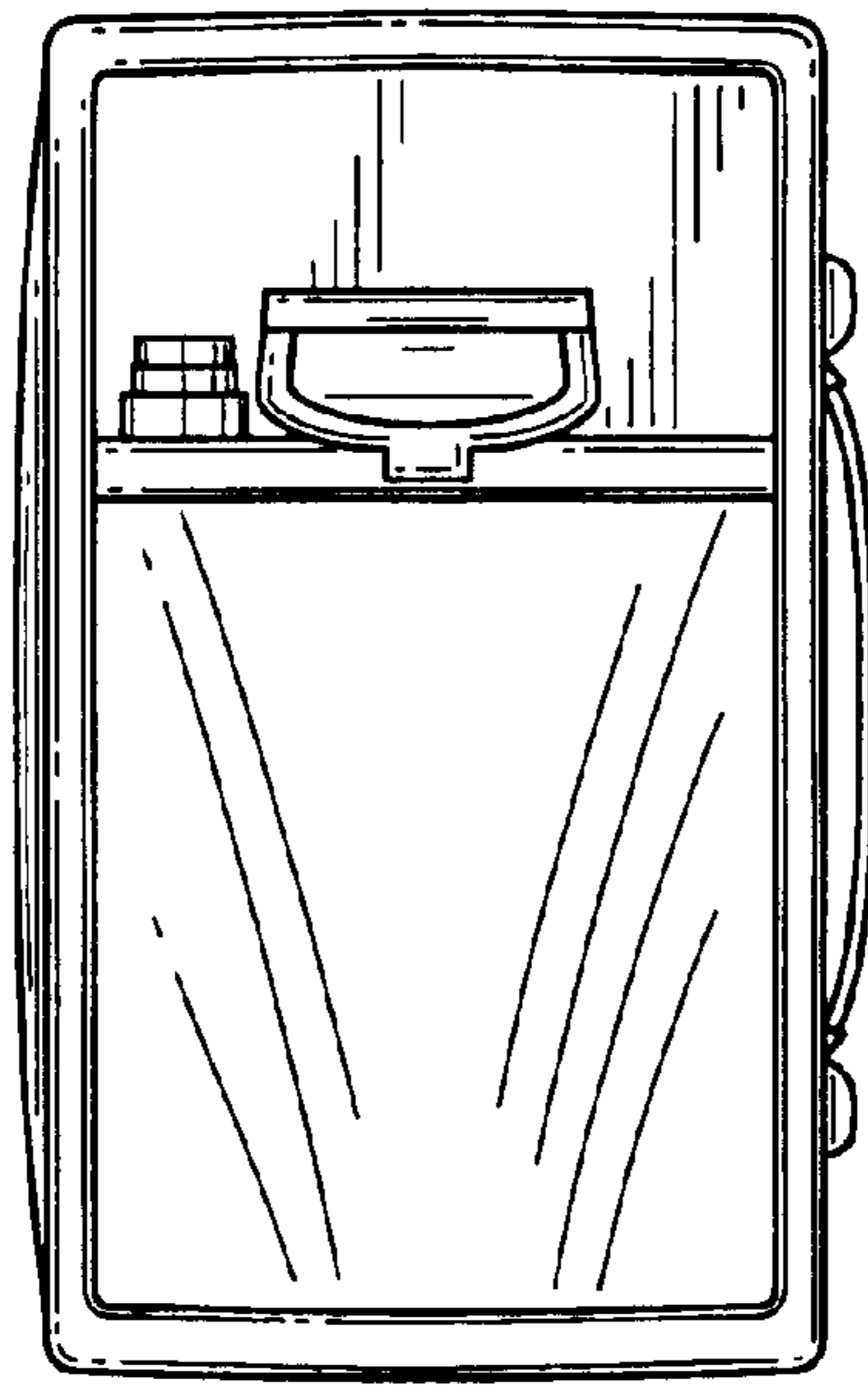


FIG. 5

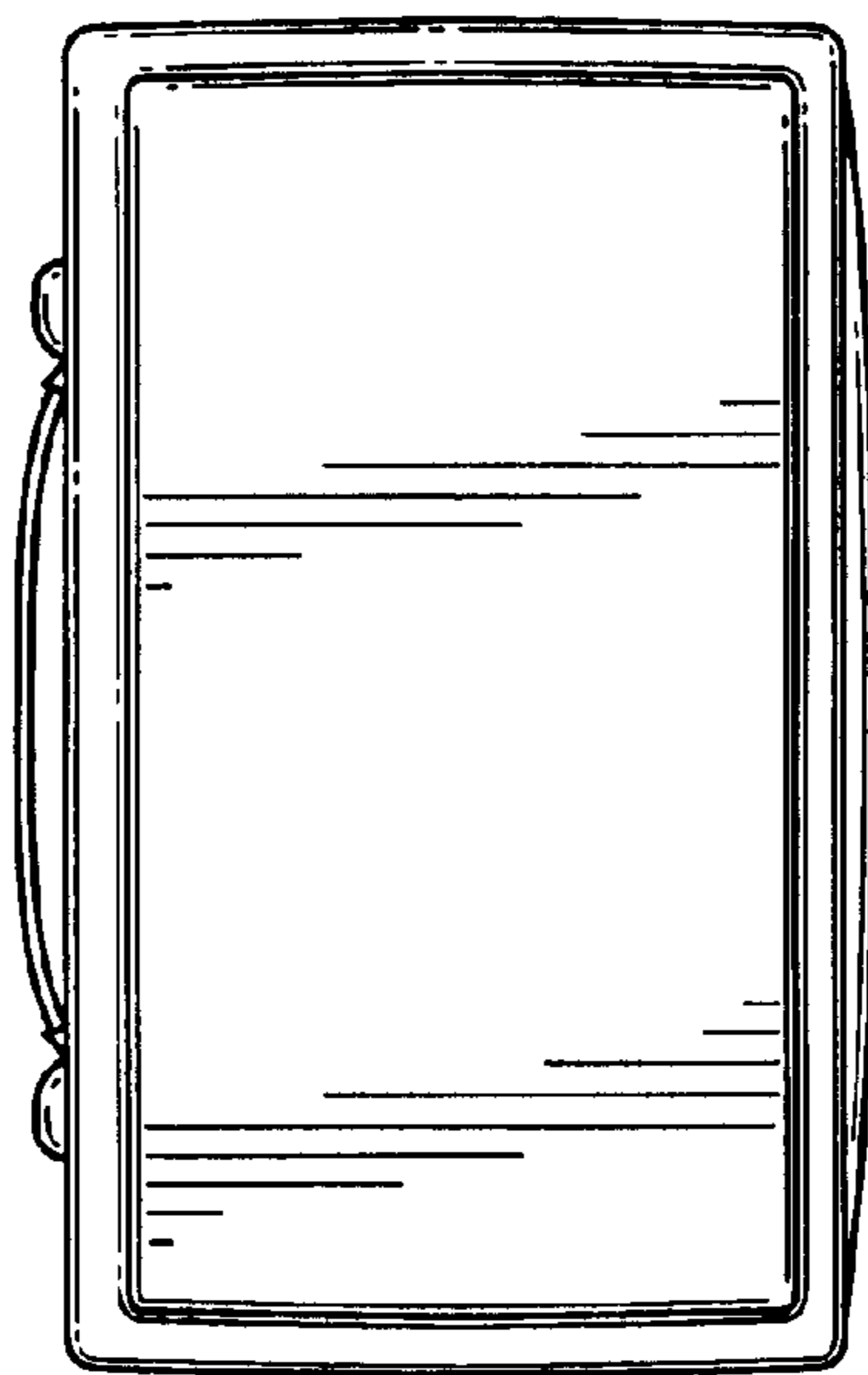


FIG. 6