



US00D456975S

(12) **United States Design Patent**  
**Ji**

(10) **Patent No.:** **US D456,975 S**

(45) **Date of Patent:** **\*\* May 7, 2002**

(54) **JACK STAND**

(76) Inventor: **Jun Ji**, 2210 E. Artesia Blvd., Long Beach, CA (US) 90805

(\*\*) Term: **14 Years**

(21) Appl. No.: **29/141,378**

(22) Filed: **May 3, 2001**

(51) **LOC (7) Cl.** ..... **12-05**

(52) **U.S. Cl.** ..... **D34/31**

(58) **Field of Search** ..... D34/31; 254/188, 254/95, 133 A, 1, 424, 124; 280/763.1, 764.1, 765.1, 762; 248/352, 354, 409

(56) **References Cited**

**U.S. PATENT DOCUMENTS**

D122,574 S	*	9/1940	Mizer	.....	D34/31
D215,746 S	*	10/1969	Hunnicut et al.	.....	D34/31
3,493,209 A	*	2/1970	Brammer	.....	248/352
D230,839 S	*	3/1974	Lemley	.....	D34/31
D240,517 S	*	7/1976	Miller	.....	D34/31
4,021,012 A	*	5/1977	Miller	.....	248/352

4,042,202 A	*	8/1977	Molinary	.....	248/352
D252,324 S	*	7/1979	John	.....	D34/31
4,690,361 A	*	9/1987	Lundman	.....	248/352
4,856,747 A	*	8/1989	Gano	.....	248/352
5,180,131 A	*	1/1993	Few	.....	248/352
D350,888 S	*	9/1994	Perry	.....	D34/31

\* cited by examiner

*Primary Examiner*—Cynthia E. Ramirez

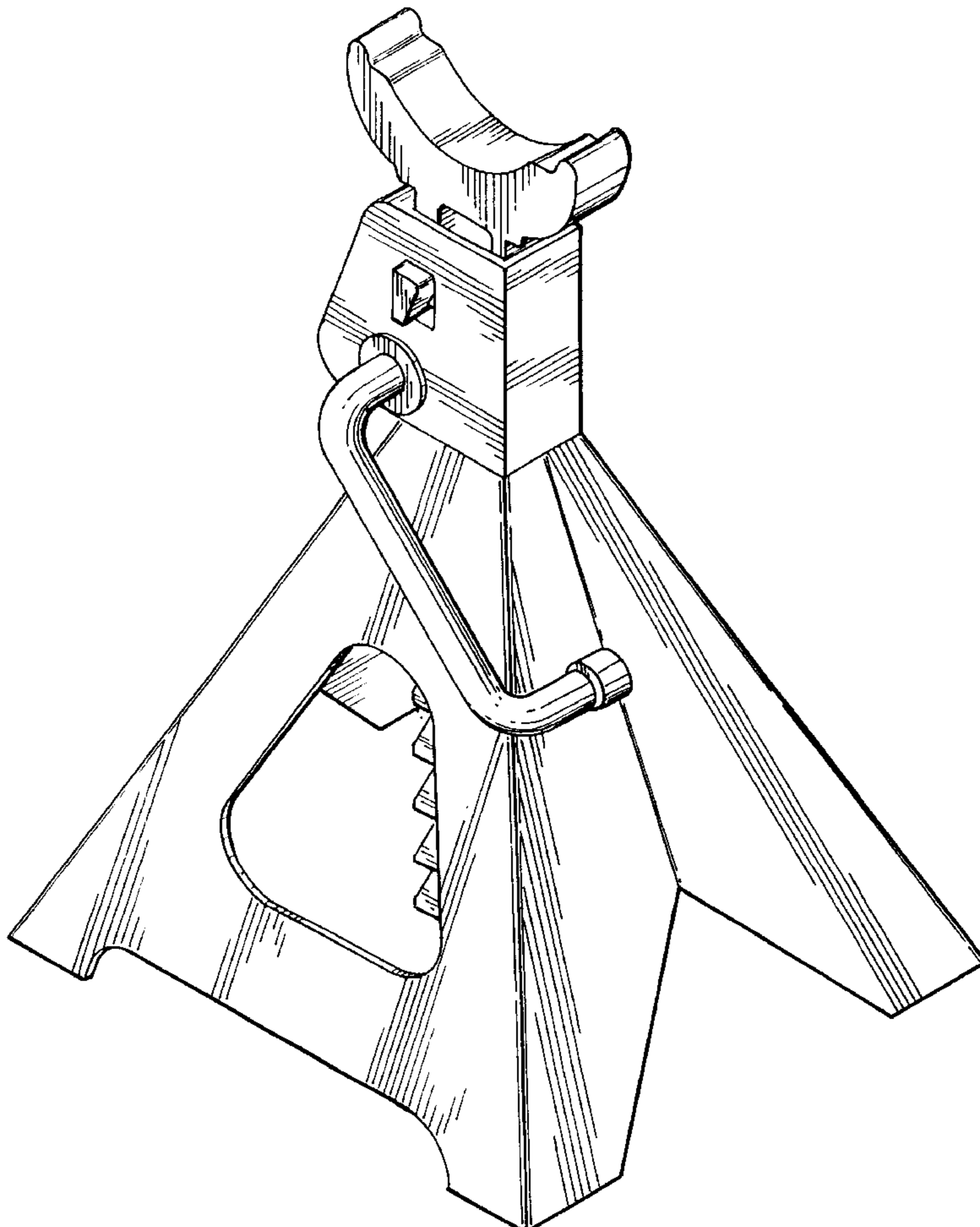
(57) **CLAIM**

The ornamental design for the jack stand, as shown and described.

**DESCRIPTION**

FIG. 1 is a perspective view of my new design.  
 FIG. 2 is a right side view thereof.  
 FIG. 3 is a left side view thereof.  
 FIG. 4 is a front view thereof.  
 FIG. 5 is a rear view thereof.  
 FIG. 6 is a bottom view thereof; and,  
 FIG. 7 is a top plan view thereof.

**1 Claim, 4 Drawing Sheets**



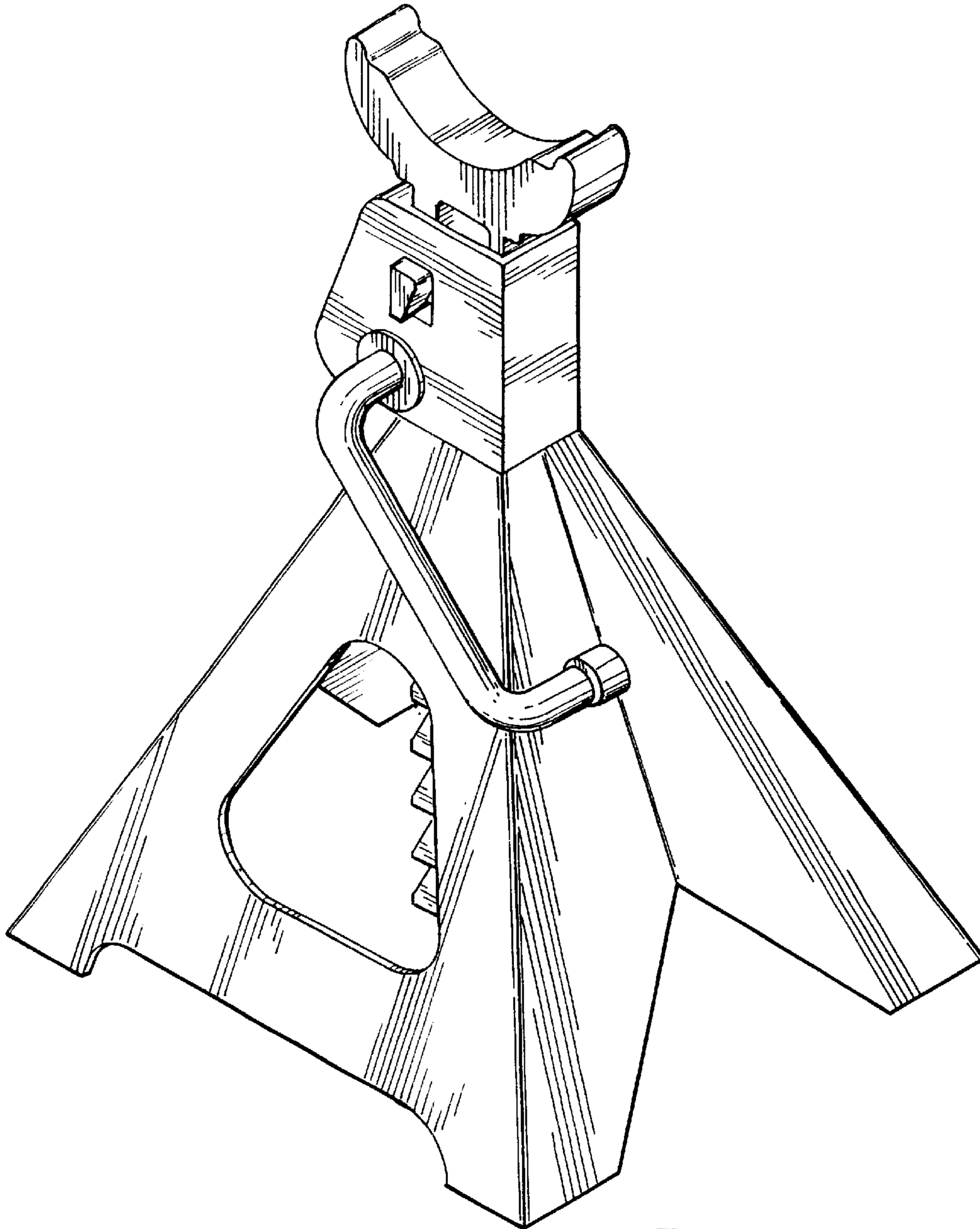


FIG. 1

FIG. 3

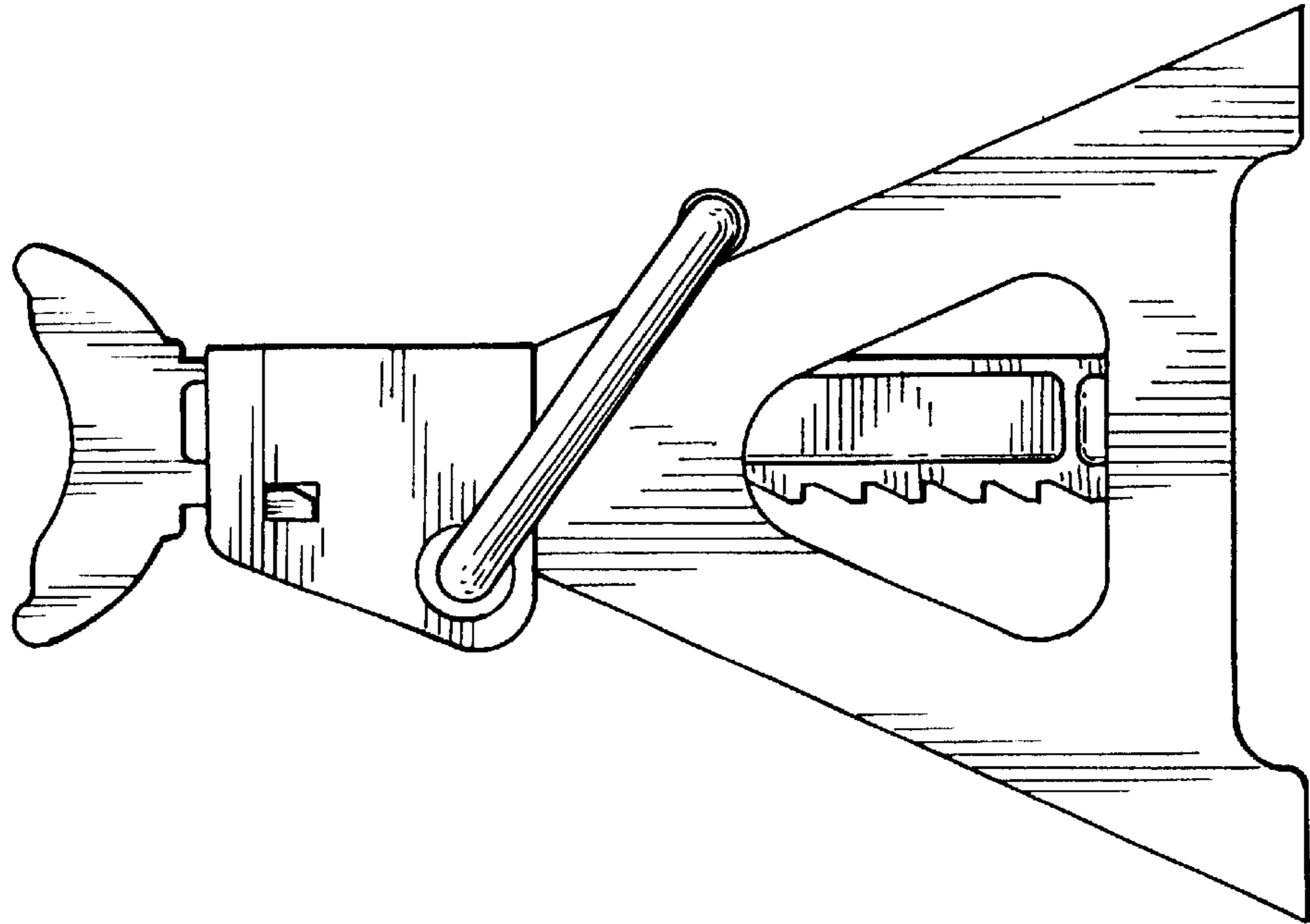


FIG. 2

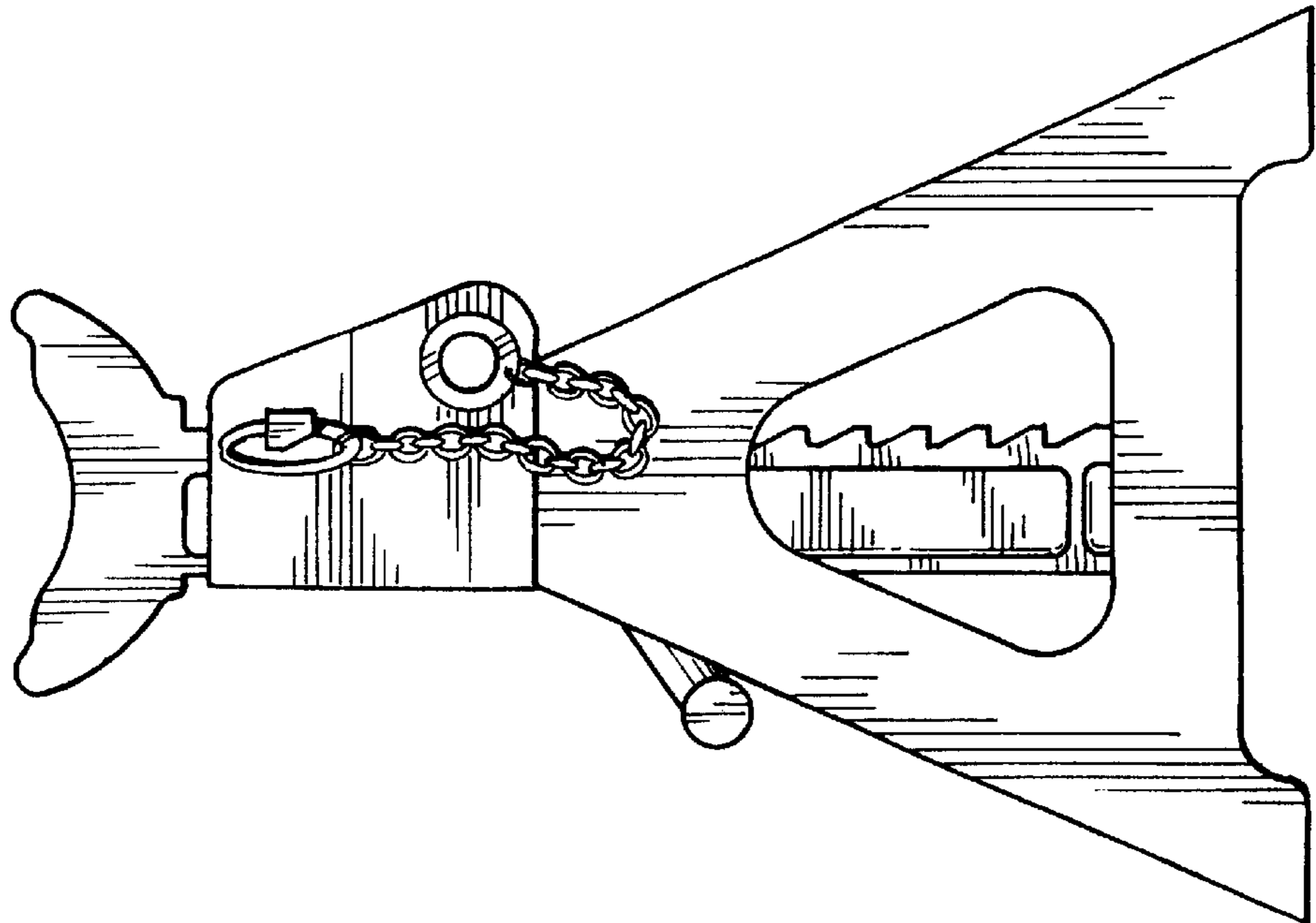


FIG. 5

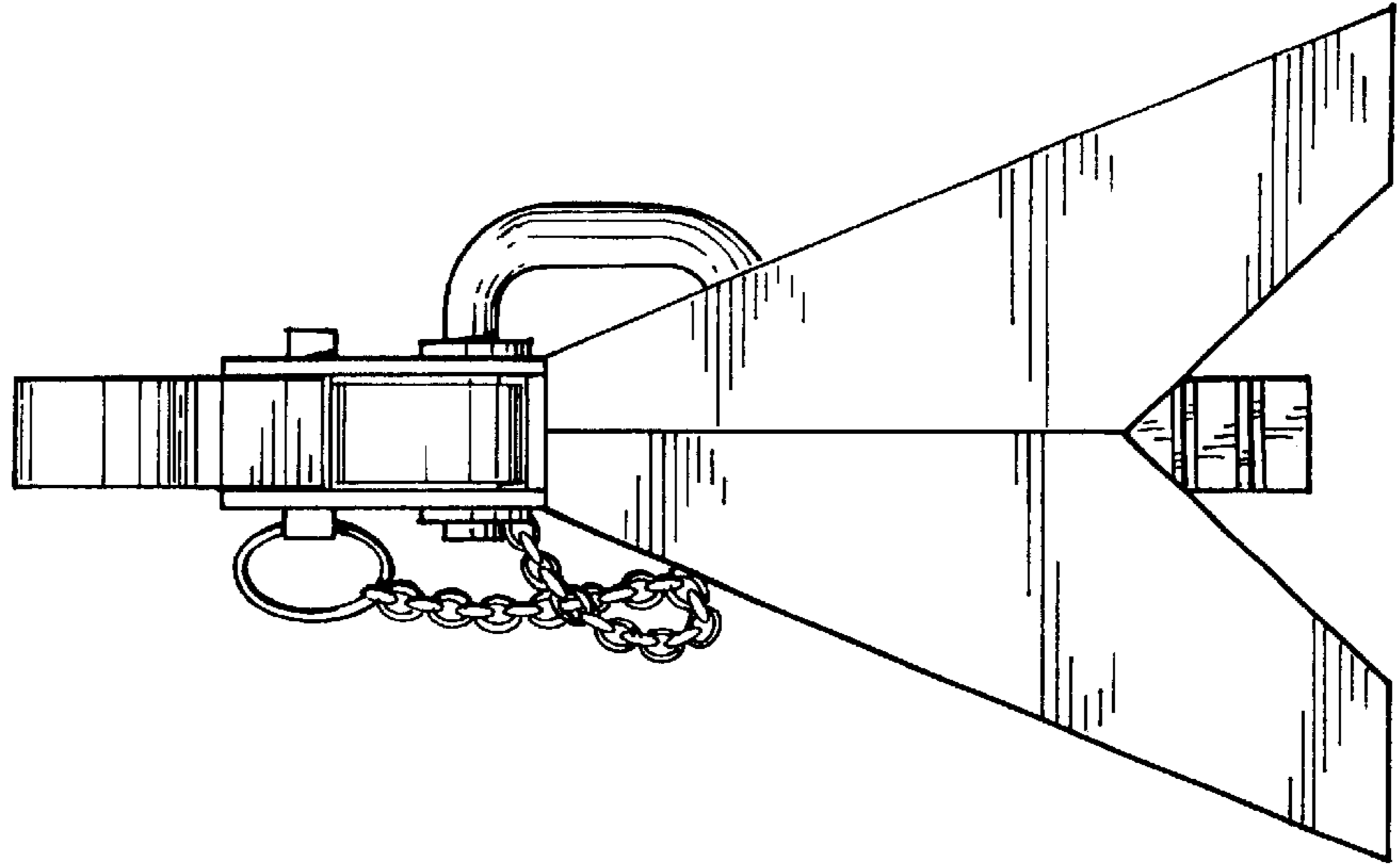


FIG. 4

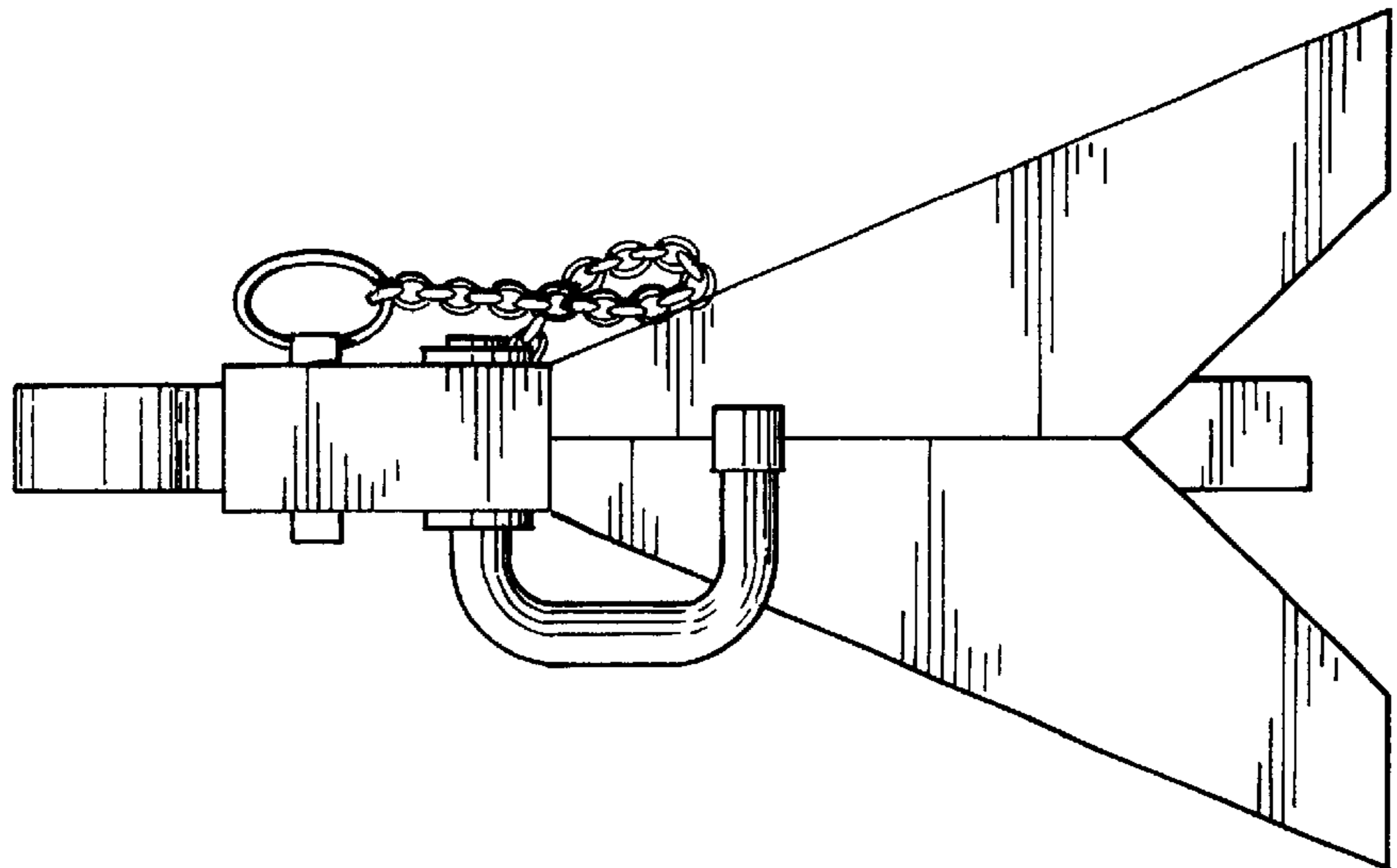


FIG. 7

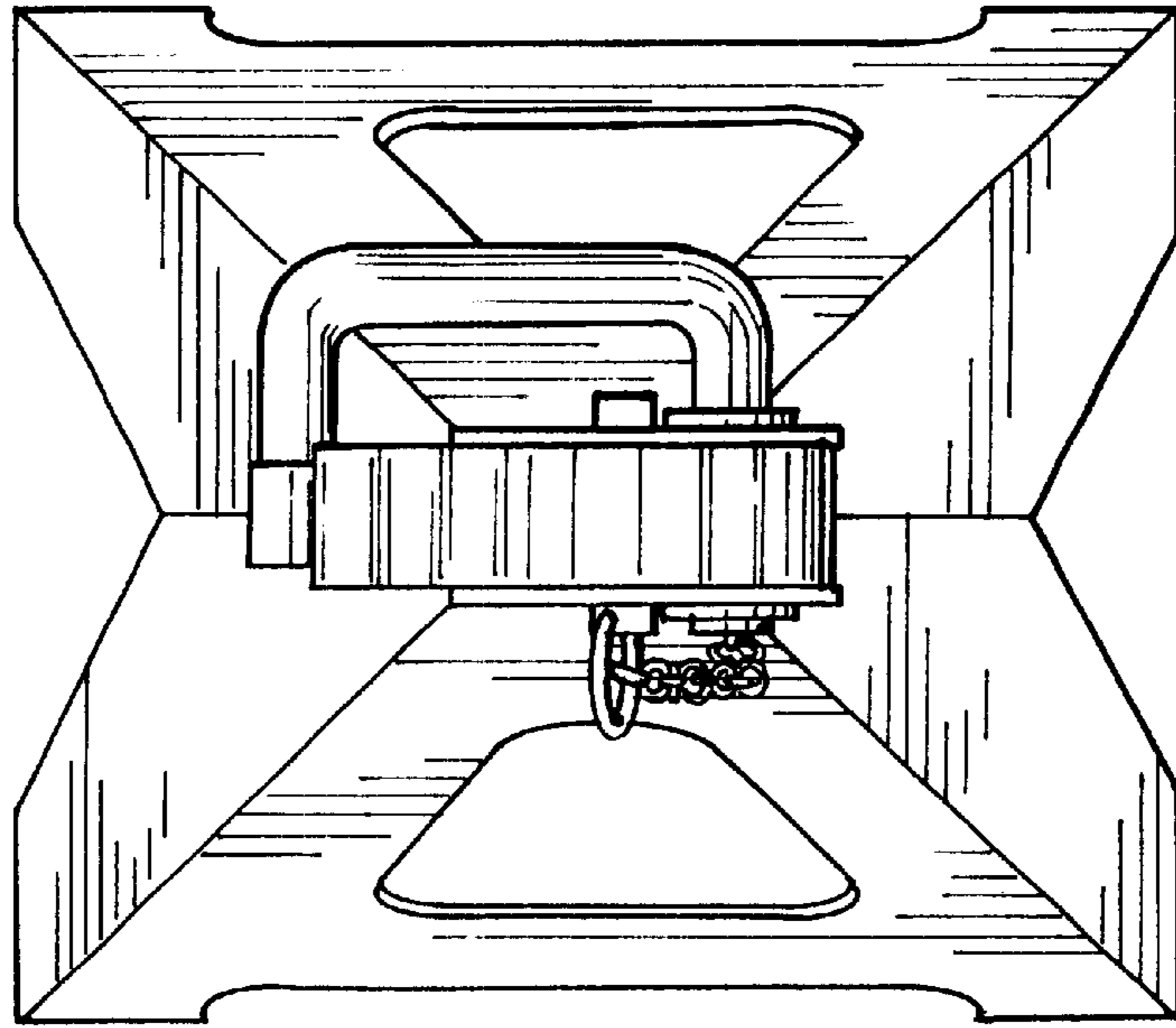


FIG. 6

