



US00D456974S

(12) **United States Design Patent**
Hicks

(10) **Patent No.:** **US D456,974 S**

(45) **Date of Patent:** **** May 7, 2002**

(54) **COMBINED FISHING ROD HOLDER AND CADDY**

Primary Examiner—Kay H. Chin

(76) **Inventor:** **Osbia N Hicks**, 15630 James Way,
Accokeek, MD (US) 20607

(57) **CLAIM**

The ornamental design for a combined fishing rod holder and caddy, as shown and described.

(**) **Term:** **14 Years**

DESCRIPTION

(21) **Appl. No.:** **29/144,337**

FIG. 1 is a front elevational view of the combined fishing rod holder and caddy of the present invention;

(22) **Filed:** **Jun. 29, 2001**

FIG. 2 is a rear elevational view of the combined fishing rod holder and caddy of FIG. 1;

(51) **LOC (7) Cl.** **12-02**

FIG. 3 is a right side elevational view of the combined fishing rod holder and caddy of FIG. 1, the left view being a mirror image thereof;

(52) **U.S. Cl.** **D34/24; D34/12**

(58) **Field of Search** D34/12-27; 280/47.19, 280/47.18, 47.26, 47.29, 655; 43/54.1; D22/147, 148

FIG. 4 is a top plan view of the combined fishing rod holder and caddy of FIG. 1;

(56) **References Cited**

U.S. PATENT DOCUMENTS

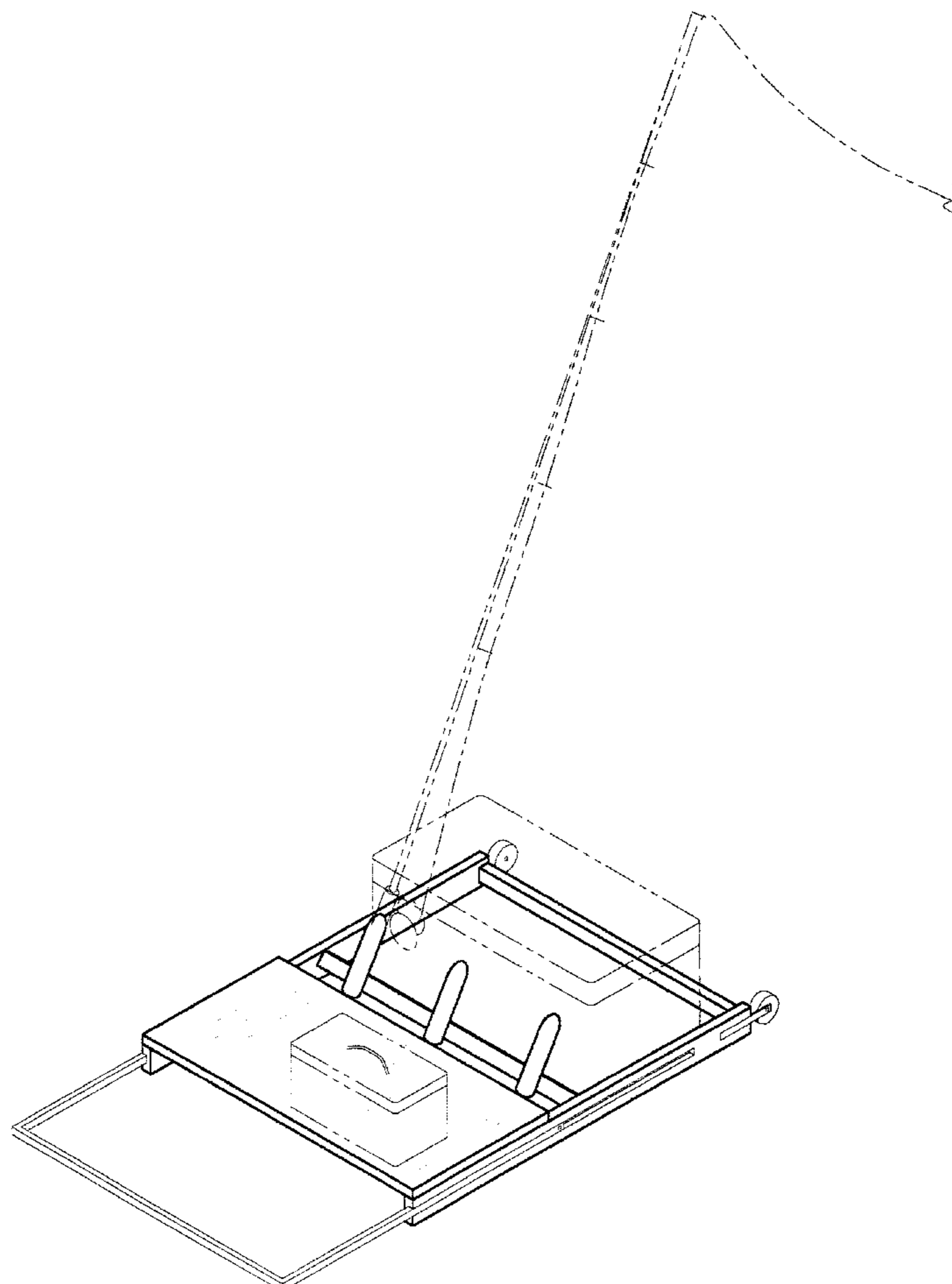
5,159,777 A	11/1992	Gonzalez
5,163,694 A	11/1992	Reichck
5,203,815 A	4/1993	Miller
5,333,885 A	8/1994	Pullman
D362,125 S	9/1995	Crust
D378,456 S	3/1997	Speicher

FIG. 5 is a bottom plan view of the combined fishing rod holder and caddy of FIG. 1; and,

FIG. 6 is a top, front, right side perspective view in an alternate position (handle extended).

The broken lines showing of a fishing rod, tackle box and cooler in FIG. 6 are for illustrative purposes only and form no part of the claimed design.

1 Claim, 4 Drawing Sheets



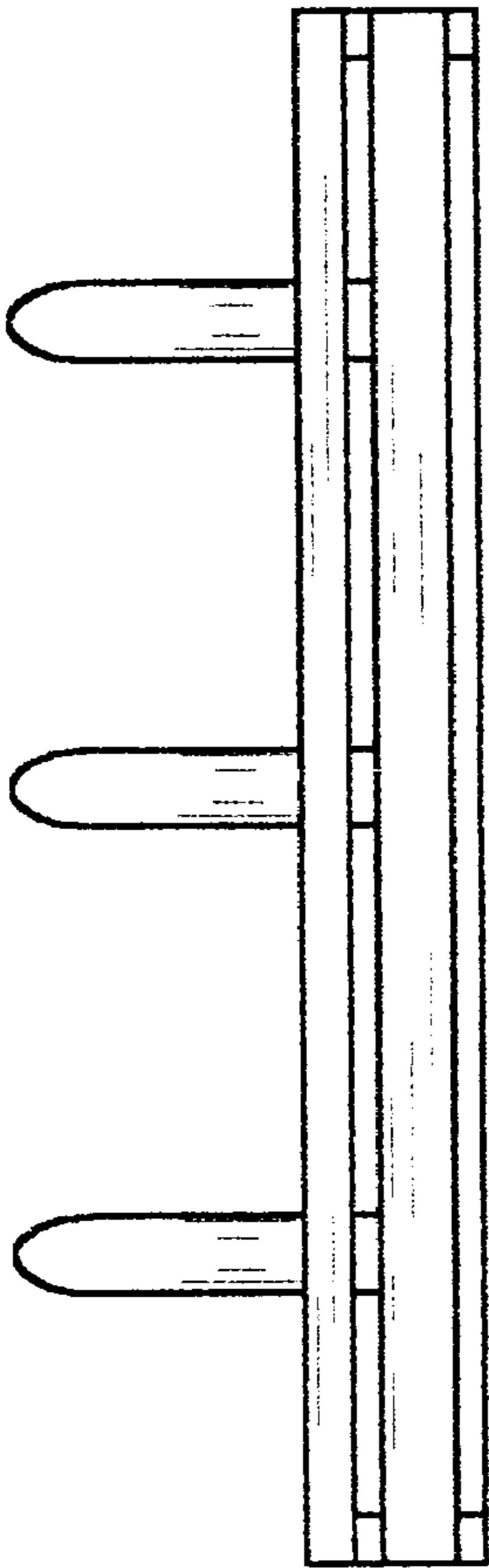


FIG. 1

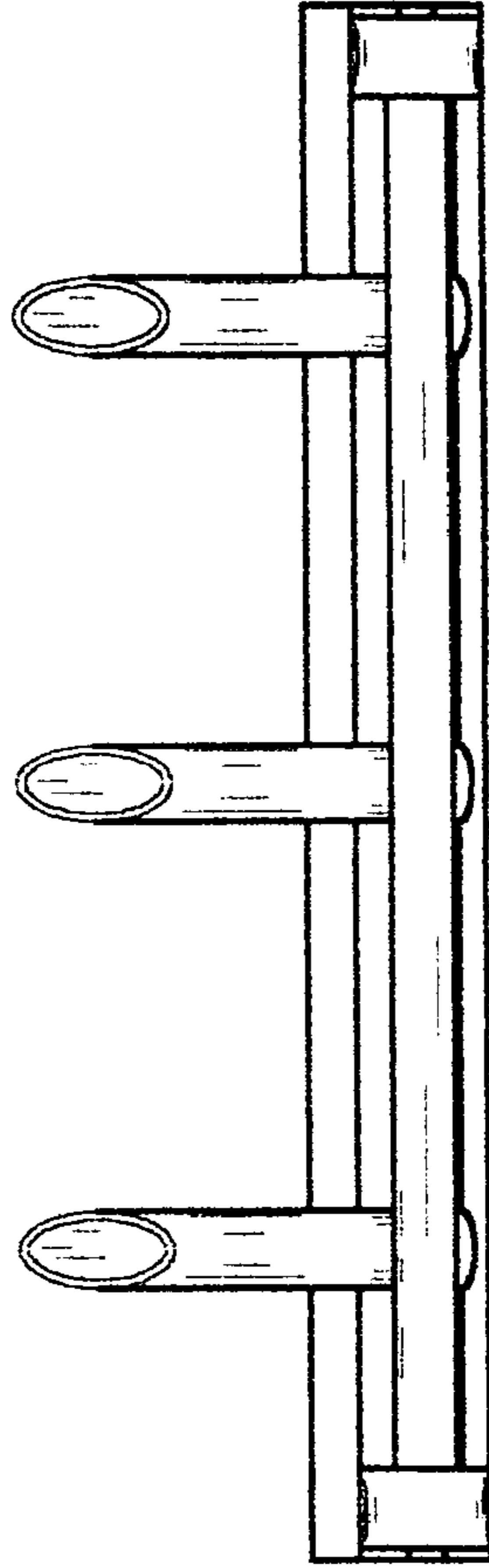


FIG. 2

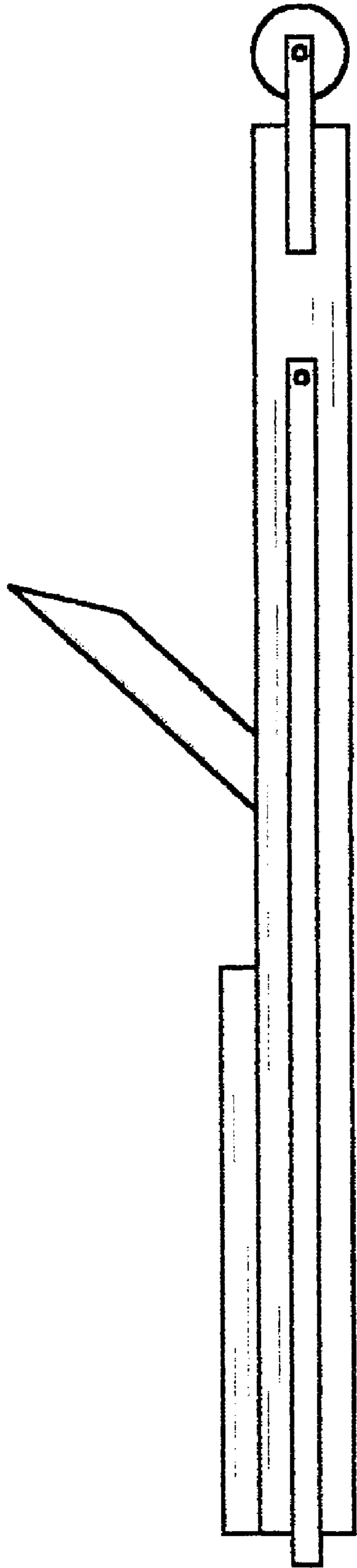


FIG. 3

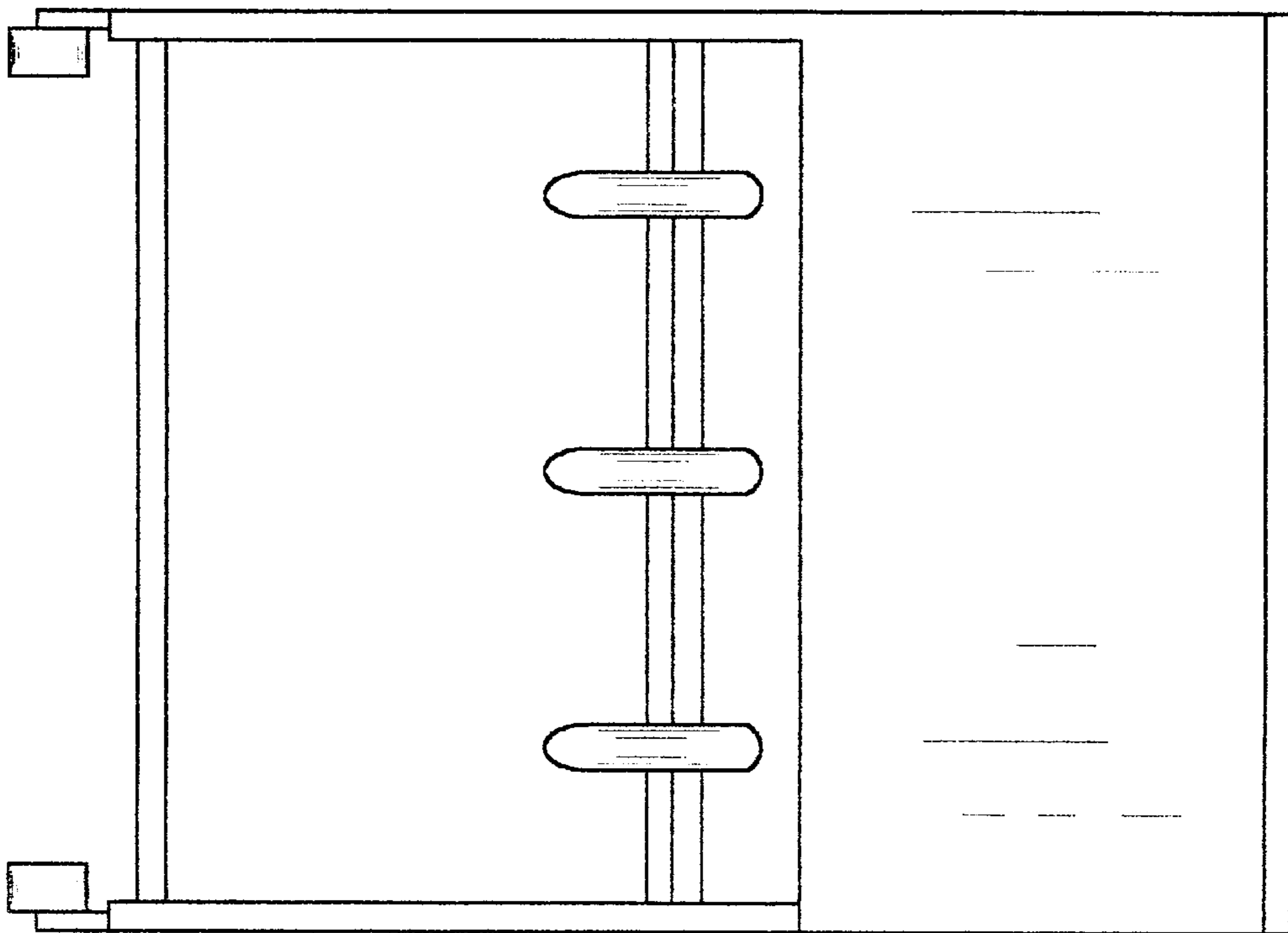


FIG. 4

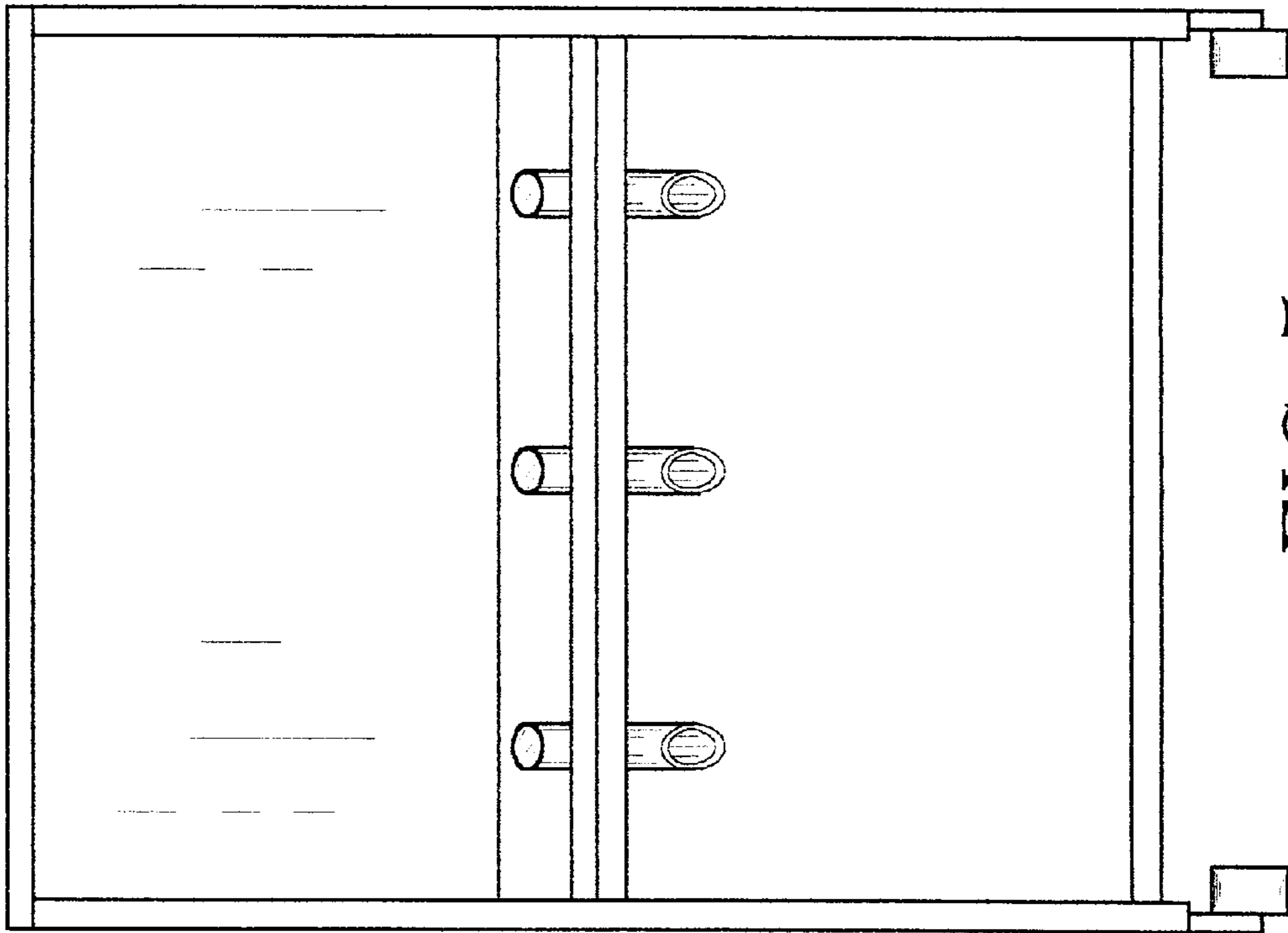


FIG. 5

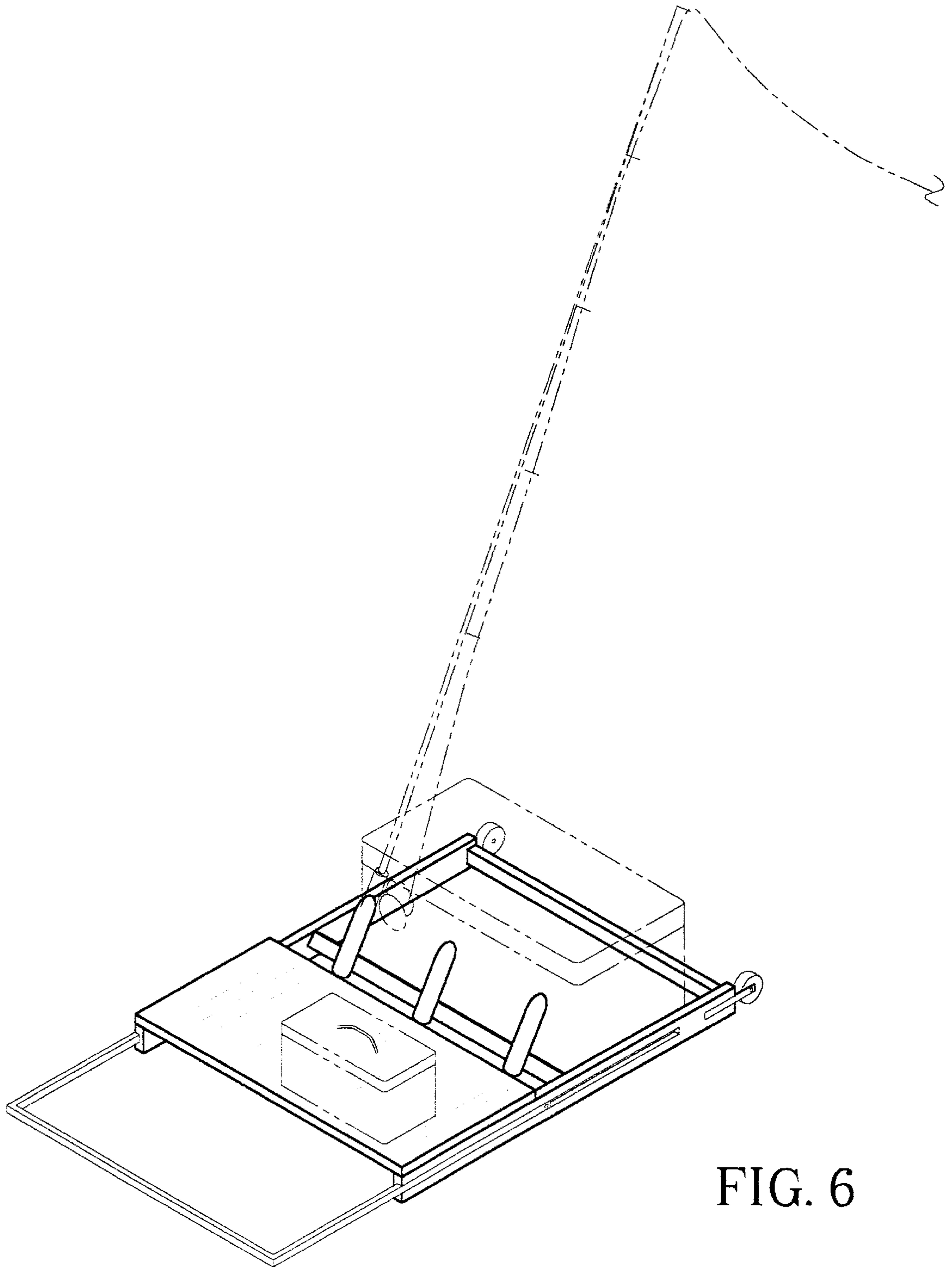


FIG. 6