



US00D456972S

(12) **United States Design Patent**
Blason et al.

(10) **Patent No.:** **US D456,972 S**

(45) **Date of Patent:** **** May 7, 2002**

(54) **DOLLY**
(75) Inventors: **Steven Trevor Blason**, East Hunsbury;
Katherine Proudlove, Knutsford, both
of (GB)

D390,314 S 2/1998 Chen D34/23
D395,533 S 6/1998 Morison et al. D34/38
D420,188 S 2/2000 Betcher D34/23
D437,669 S 2/2001 Blason et al. D34/23

FOREIGN PATENT DOCUMENTS

(73) Assignee: **Chep UK Ltd.** (GB)
(**) Term: **14 Years**

GB 2074409 8/1998
GB 2078170 2/1999

* cited by examiner

(21) Appl. No.: **29/141,631**
(22) Filed: **May 10, 2001**

Primary Examiner—Kay H. Chin
(74) *Attorney, Agent, or Firm*—MacMillan, Sobanski &
Todd, LLC

Related U.S. Application Data

(63) Continuation-in-part of application No. 29/132,524, filed on
Nov. 10, 2000.

(57) **CLAIM**

The ornamental design for a dolly, as shown and described.

(30) **Foreign Application Priority Data**

May 11, 2000 (GB) 2092752

DESCRIPTION

(51) **LOC (7) Cl.** **12-02**
(52) **U.S. Cl.** **D34/23; D34/38**
(58) **Field of Search** D34/12-27, 38;
108/51.11, 51.3; 280/79.11, 79.2, 79.3,
33.998

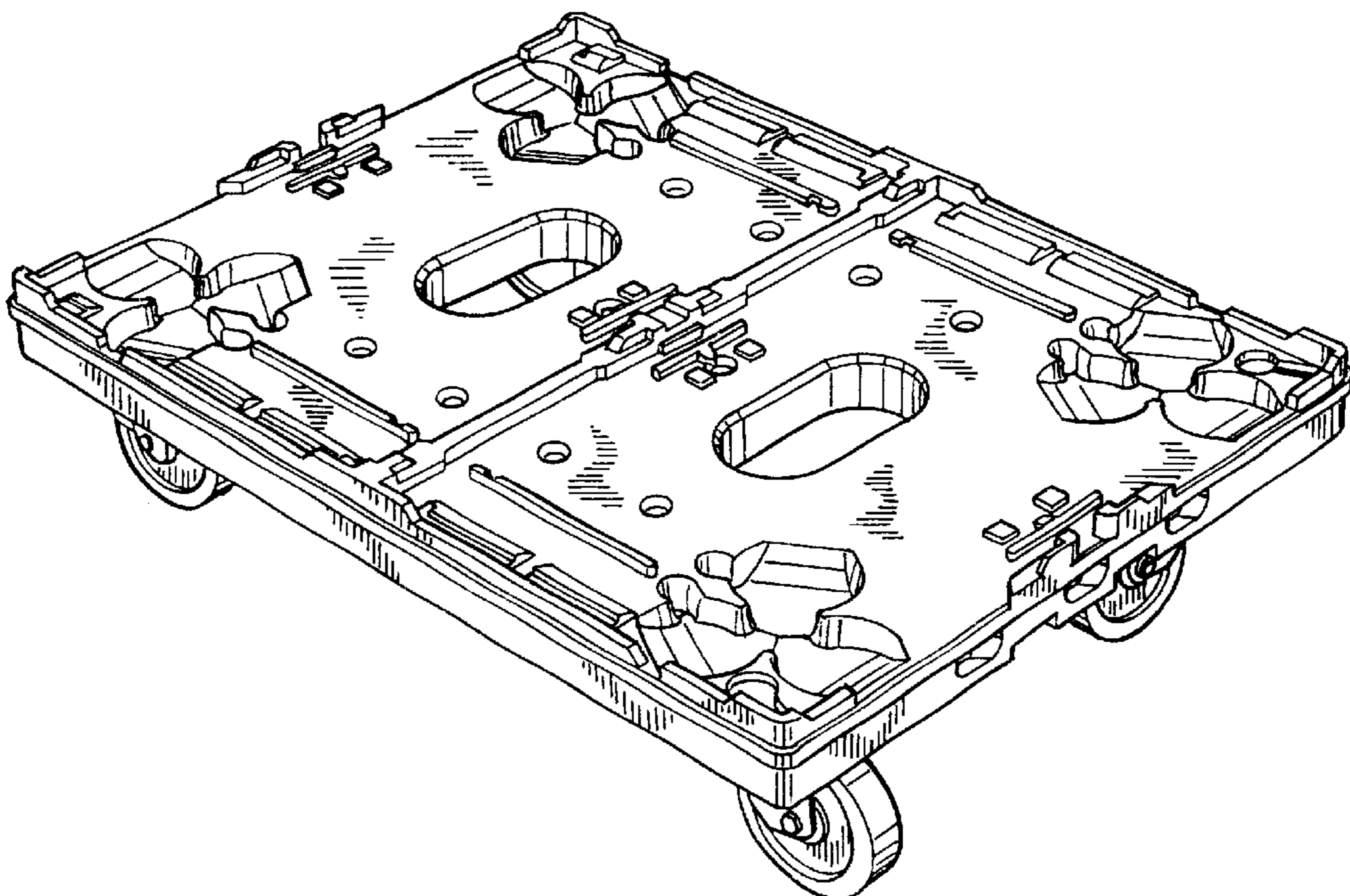
FIG. 1 is a perspective view as seen from the upper front left
of a dolly showing our new design, with the right front caster
wheel shown in a position swiveled relative to the left front
caster wheel;
FIG. 2 is a perspective view as seen from the lower front
right thereof;
FIG. 3 is a front side elevational view thereof;
FIG. 4 is a rear side elevational view thereof;
FIG. 5 is a left side elevational view thereof;
FIG. 6 is a right side elevational view thereof;
FIG. 7 is a top plan view thereof; and,
FIG. 8 is a bottom plan view thereof.

(56) **References Cited**

U.S. PATENT DOCUMENTS

D253,465 S * 11/1979 Lobdell D34/23
D349,999 S * 8/1994 Knight, IV et al. D34/38
D370,757 S * 6/1996 Loftus et al. D34/23
D377,556 S 1/1997 Sadr D34/38

1 Claim, 6 Drawing Sheets



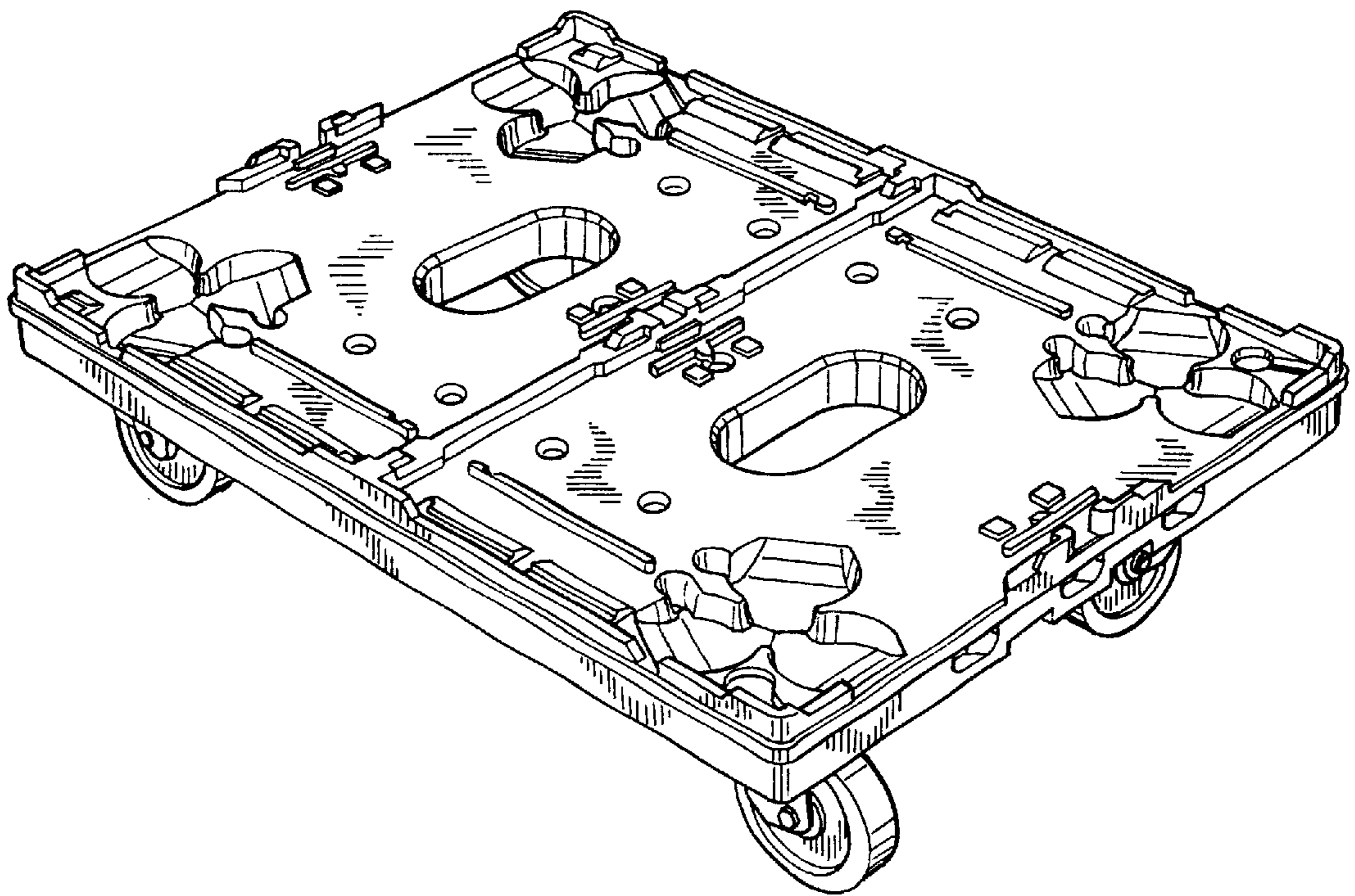


FIG 1

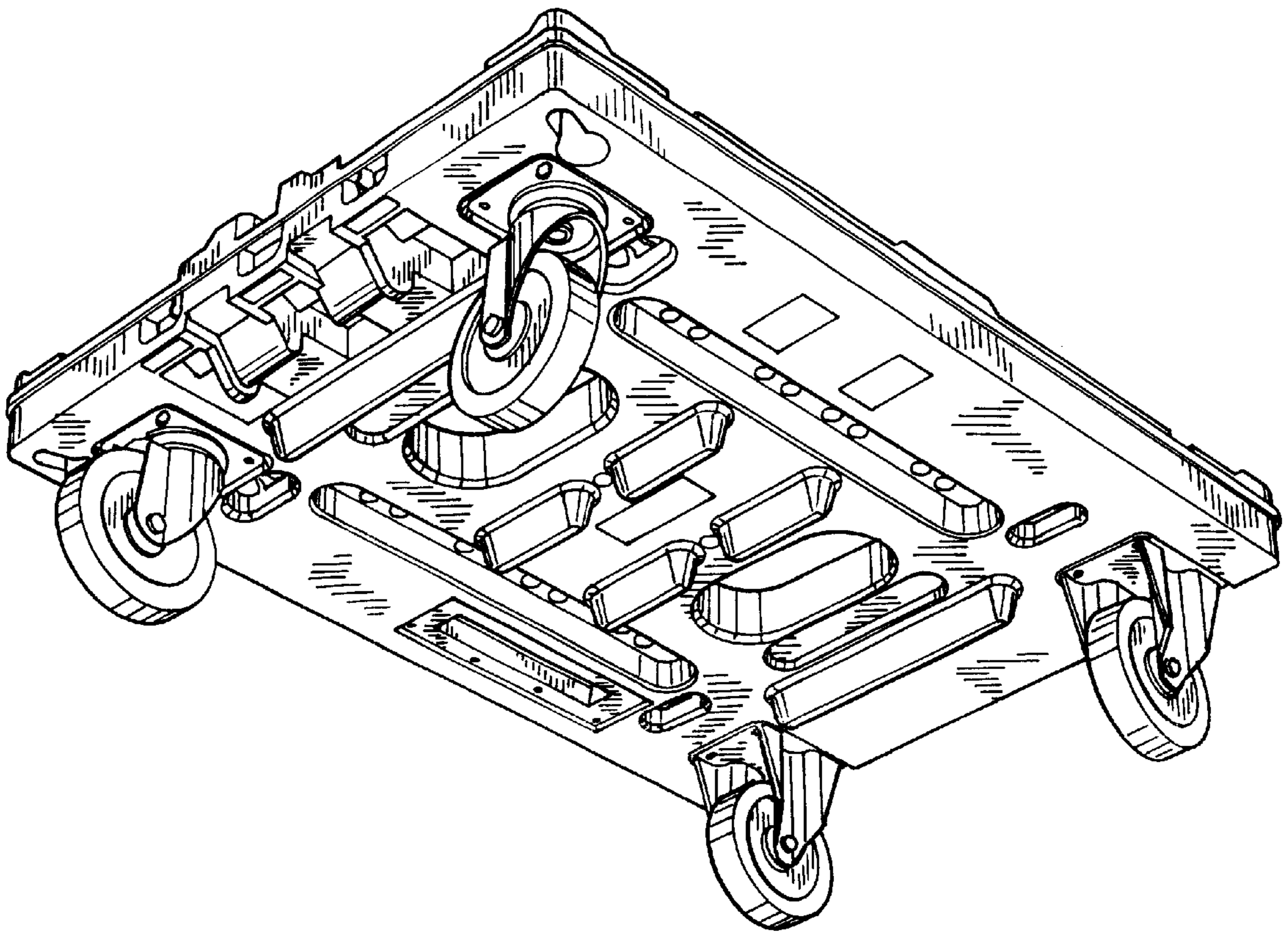


FIG 2

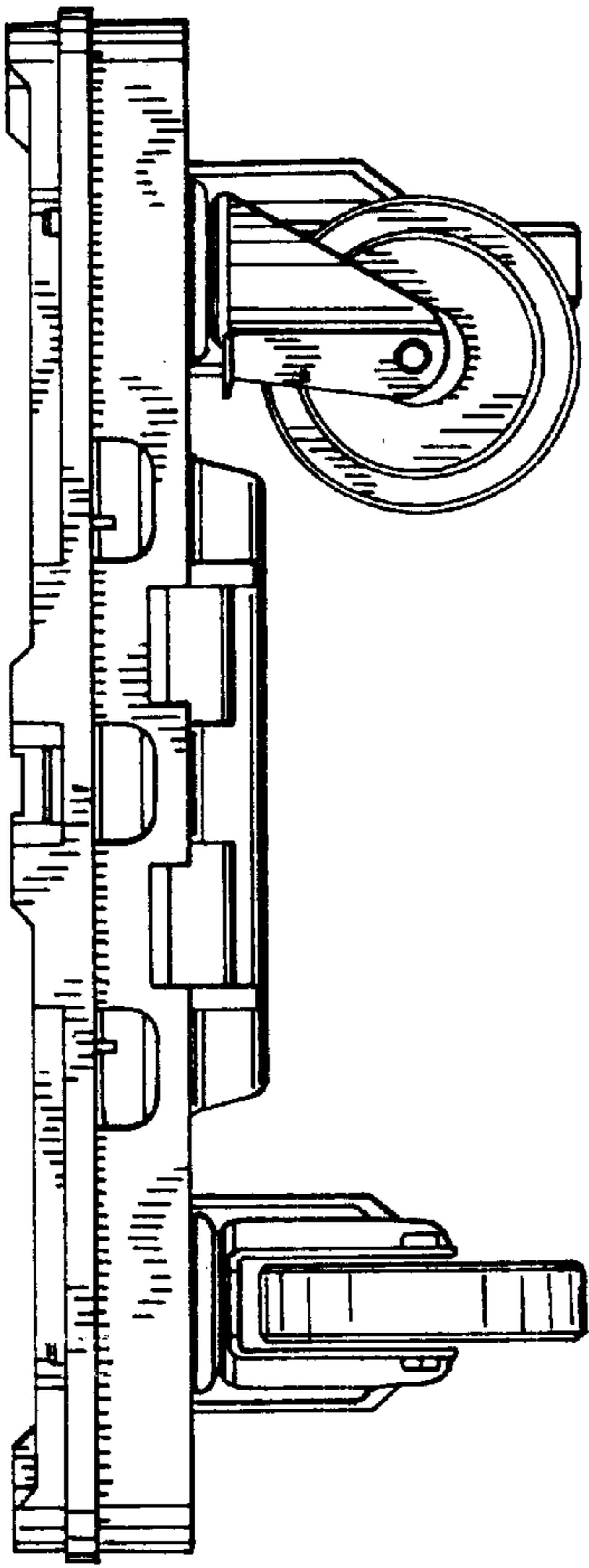


FIG 3

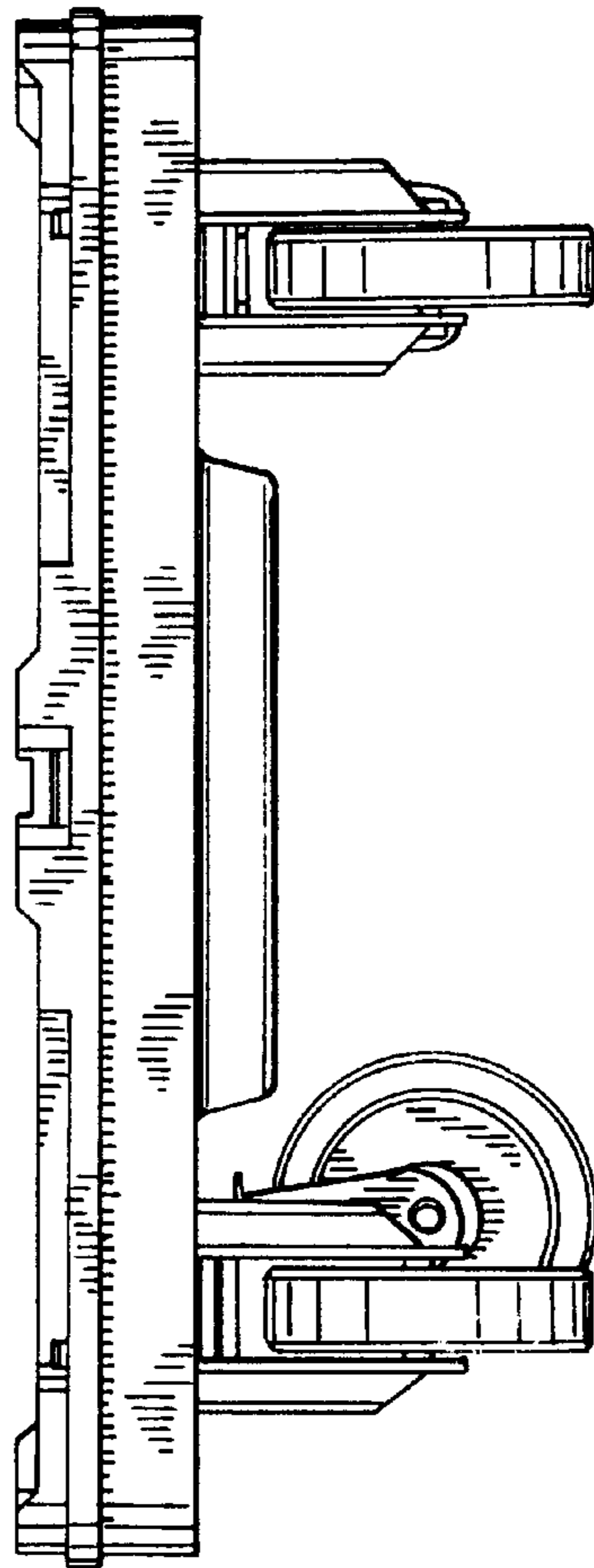


FIG 4

FIG 5

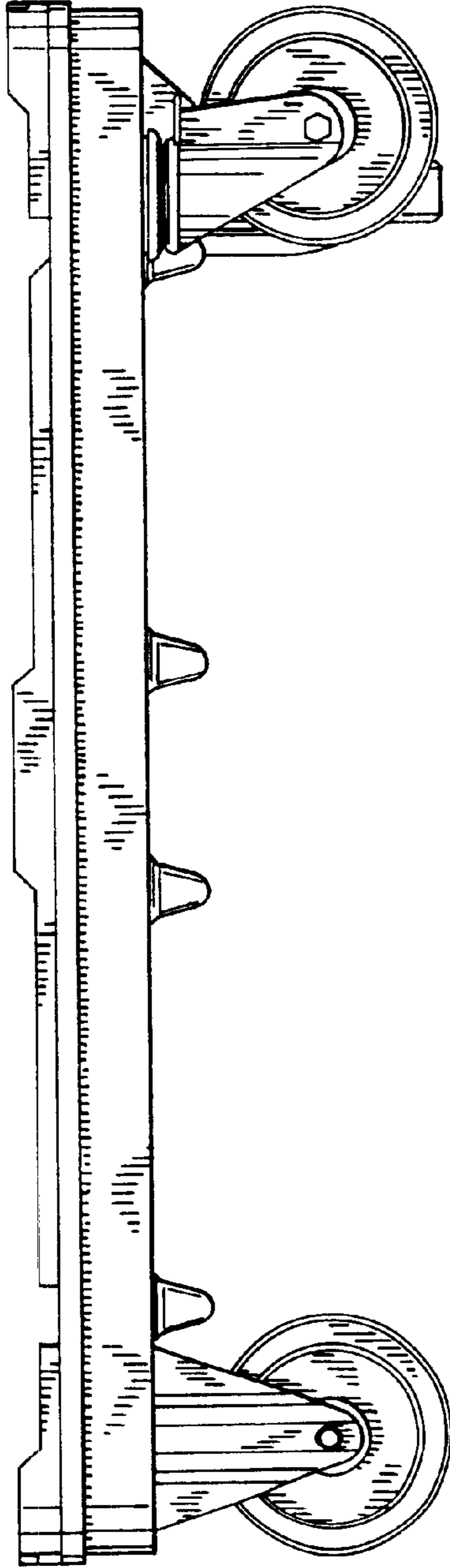
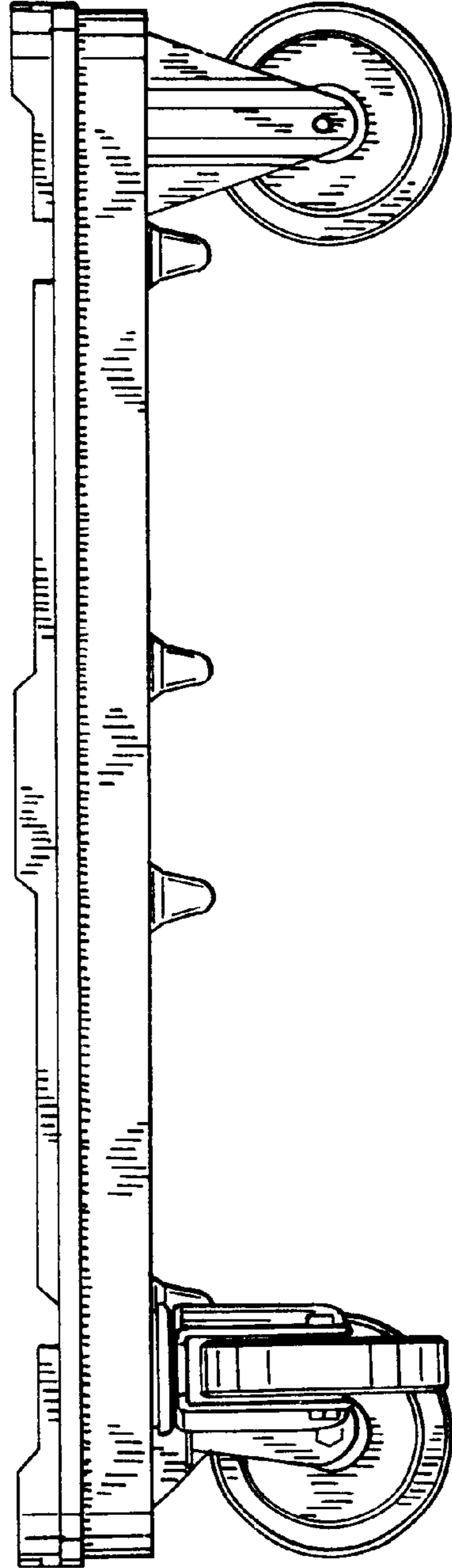


FIG 6



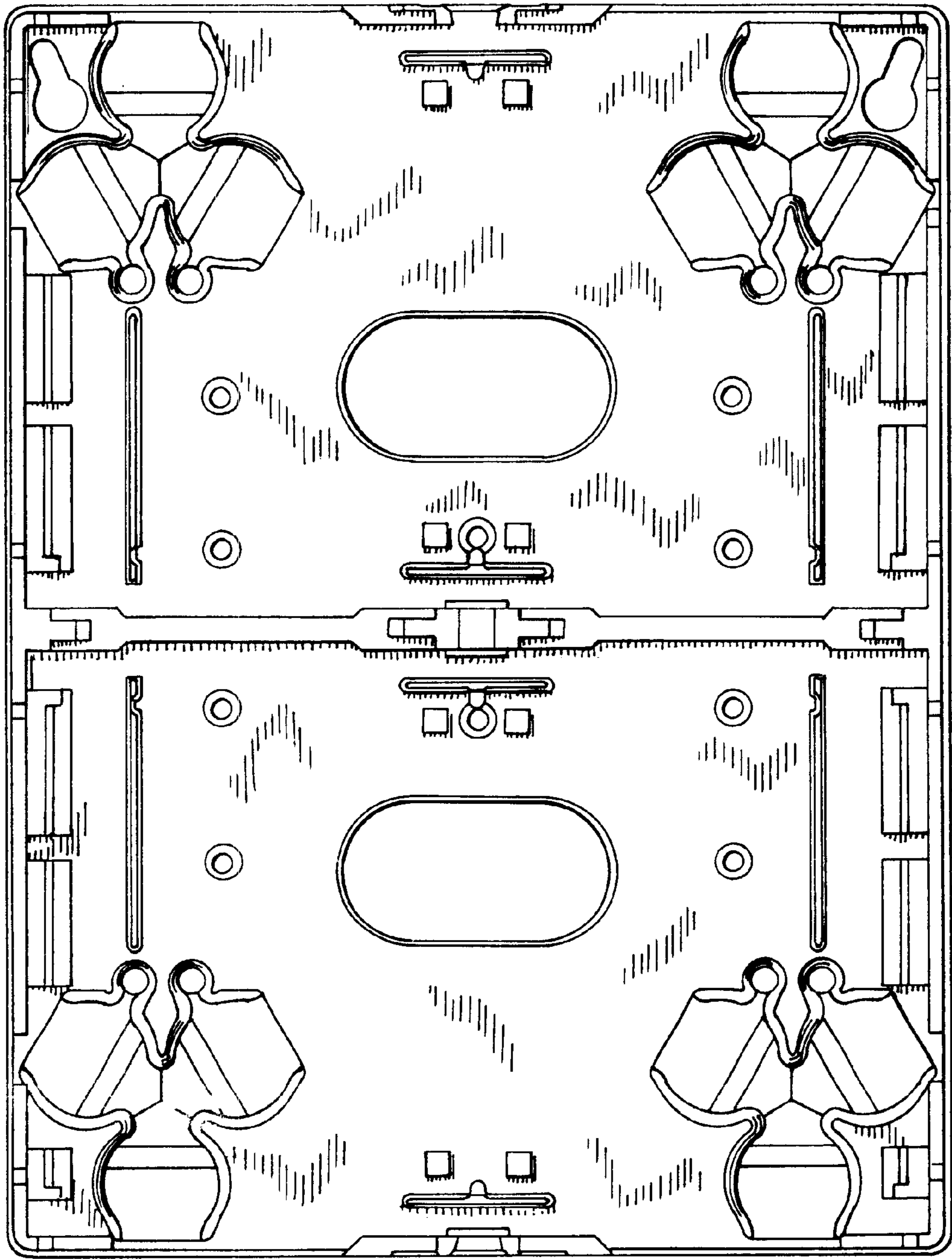


FIG 7

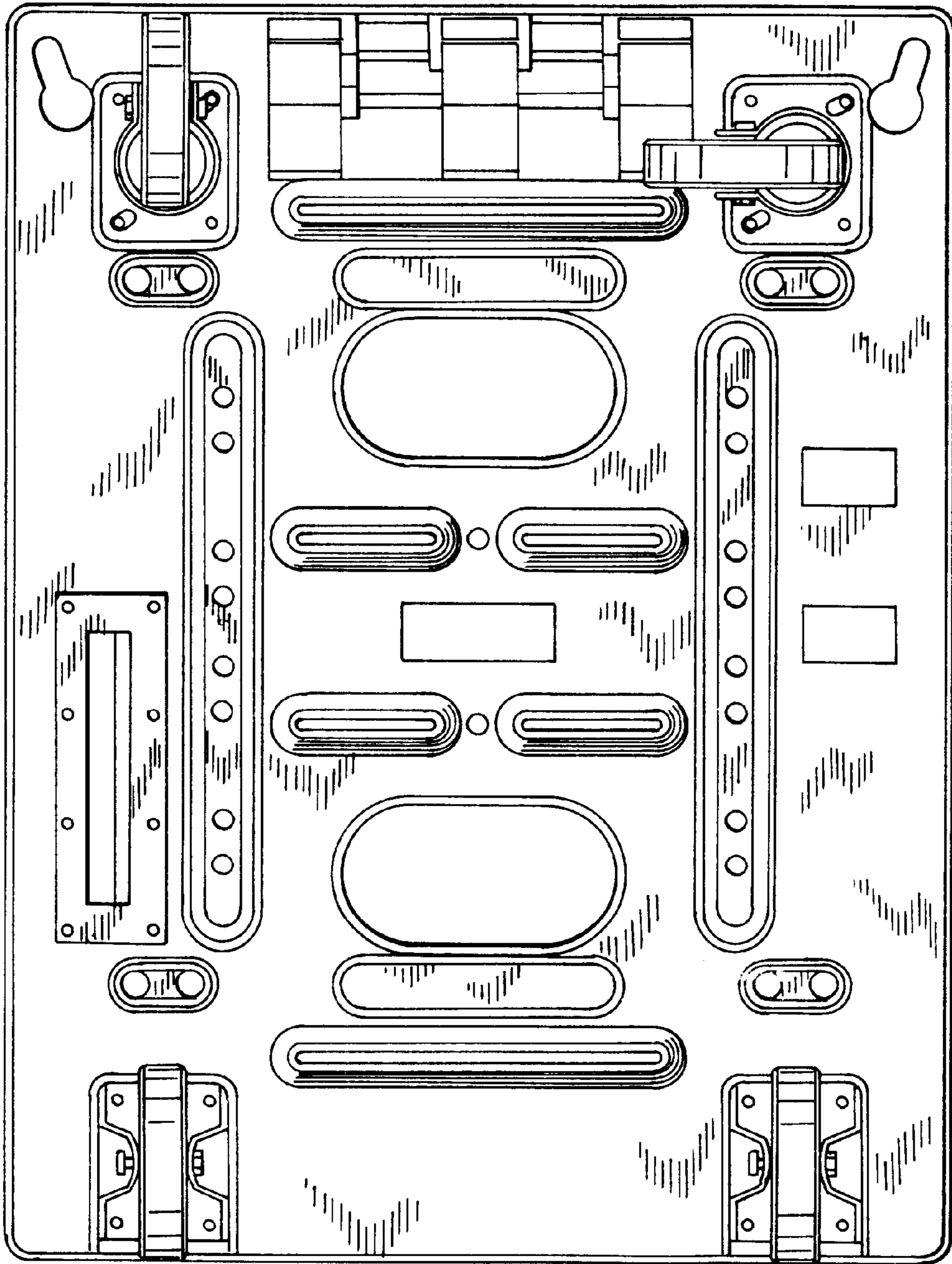


FIG 8