



US00D456971S

(12) **United States Design Patent**
Abel

(10) **Patent No.:** **US D456,971 S**

(45) **Date of Patent:** **** May 7, 2002**

(54) **FORWARD DUMPING, TWO-WHEELED BARROW**

(76) Inventor: **Gary V. Abel**, 3882 WhiteBrook La., Ellicott City, MD (US) 21042

(**) Term: **14 Years**

(21) Appl. No.: **29/135,319**

(22) Filed: **Jan. 10, 2001**

(51) **LOC (7) Cl.** **12-02**

(52) **U.S. Cl.** **D34/16; D34/12**

(58) **Field of Search** **D34/12-27; 280/47.12, 280/47.17, 47.26, 47.27, 47.2, 47.18, 47.23, 47.24, 47.34, 652**

(56) **References Cited**

U.S. PATENT DOCUMENTS

2,247,083	A	*	6/1941	Garlinghouse	280/47.12
3,858,929	A	*	1/1975	Brescia	280/47.12
4,341,393	A	*	7/1982	Gordon et al.	280/47.26
D329,726	S	*	9/1992	Travis	D34/16
D361,191	S	*	8/1995	Kowalski et al.	D34/27

* cited by examiner

Primary Examiner—Kay H. Chin

(74) *Attorney, Agent, or Firm*—Law Offices of Royal W. Craig

(57) **CLAIM**

The ornamental design for a forward dumping, two-wheeled barrow, as shown and described.

DESCRIPTION

FIG. 1 is a rear perspective view of the forward dumping, two wheeled barrow according to my new desing.

FIG. 2 is a top perspective view of the foward dumping, two-wheeled barrow of FIG. 1.

FIG. 3 is a side view of the forward dumping, two-wheeled barrow of FIGS. 1 and 2 in an upright position.

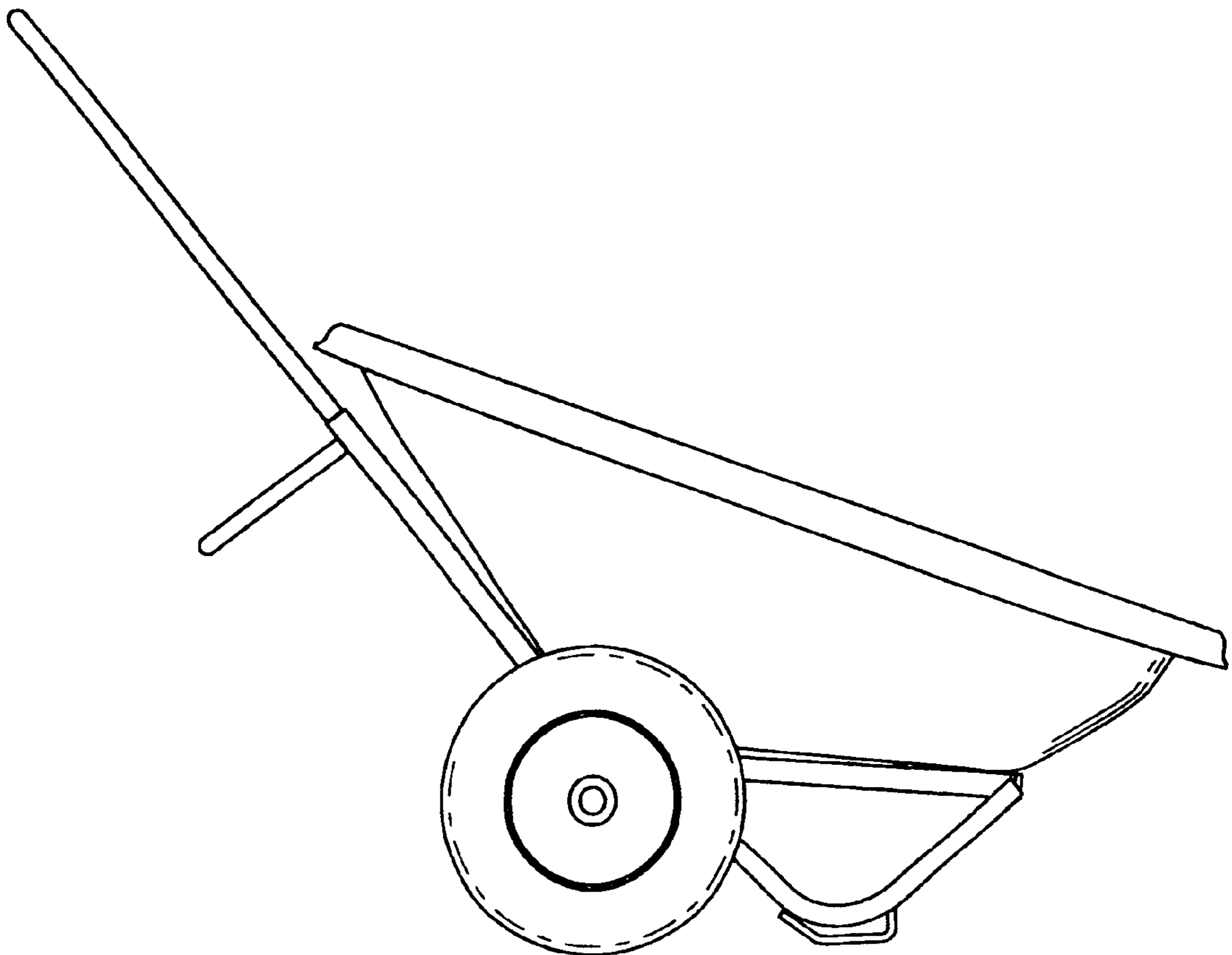
FIG. 4 is a side view of the forward dumping, two-wheeled barrow as in FIG. 3 in a lowered position.

FIG. 5 is a bottom view of the forward dumping, two-wheeled barrow of FIGS. 1-4; and,

FIG. 6 is a front perspective view of the forward dumping, two-wheeled barrow of FIGS. 1-5.

The design of the present invention and as shown in FIGS. 1-6 is an ornamental, forward dumping, two-wheeled barrow for use in light to medium duty applications moving gravel, dirt sand, etc. The safety/spill prevention bracket and other ornamental features present a decorative outward appearance.

1 Claim, 4 Drawing Sheets



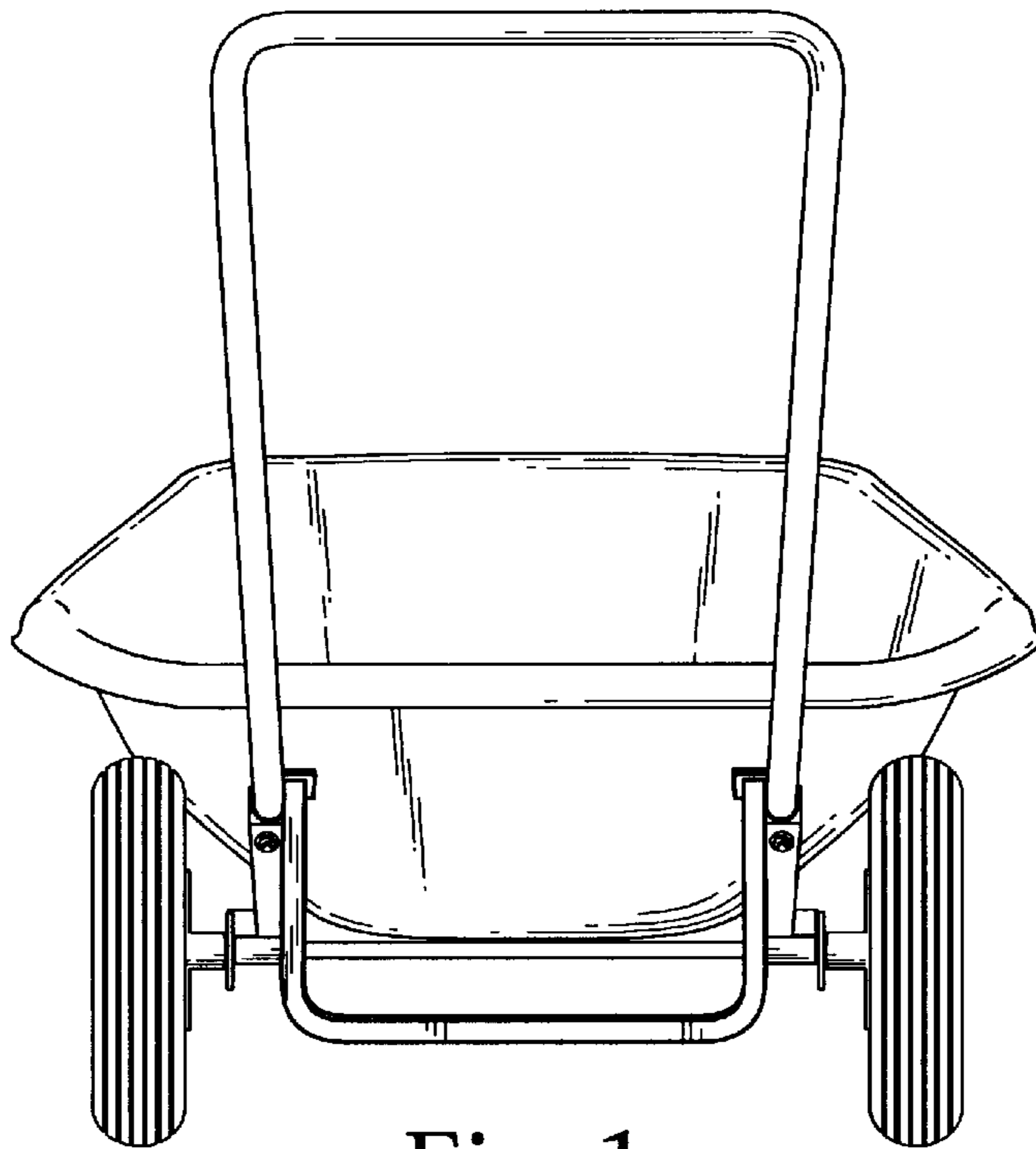


Fig 1

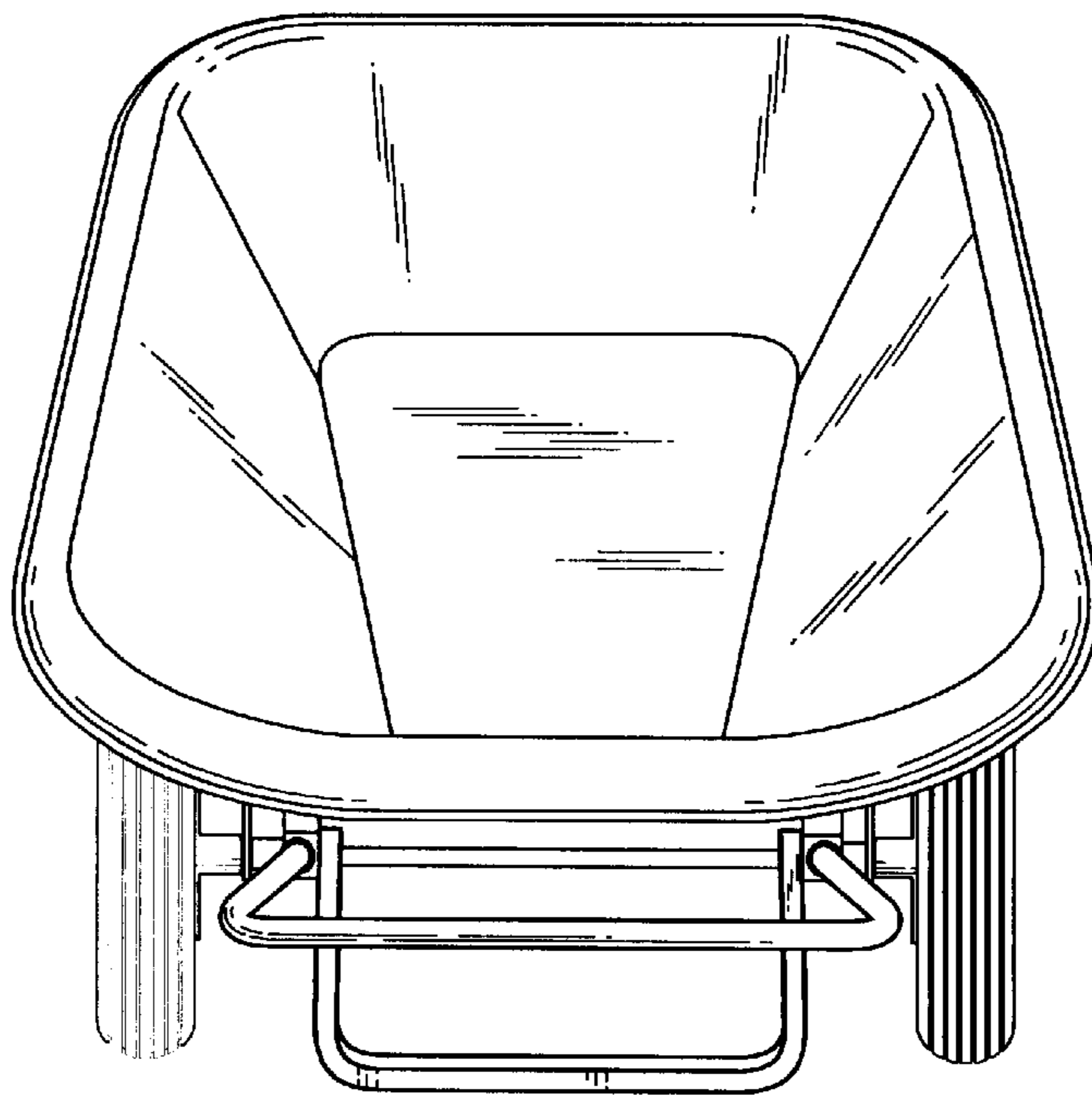


Fig 2

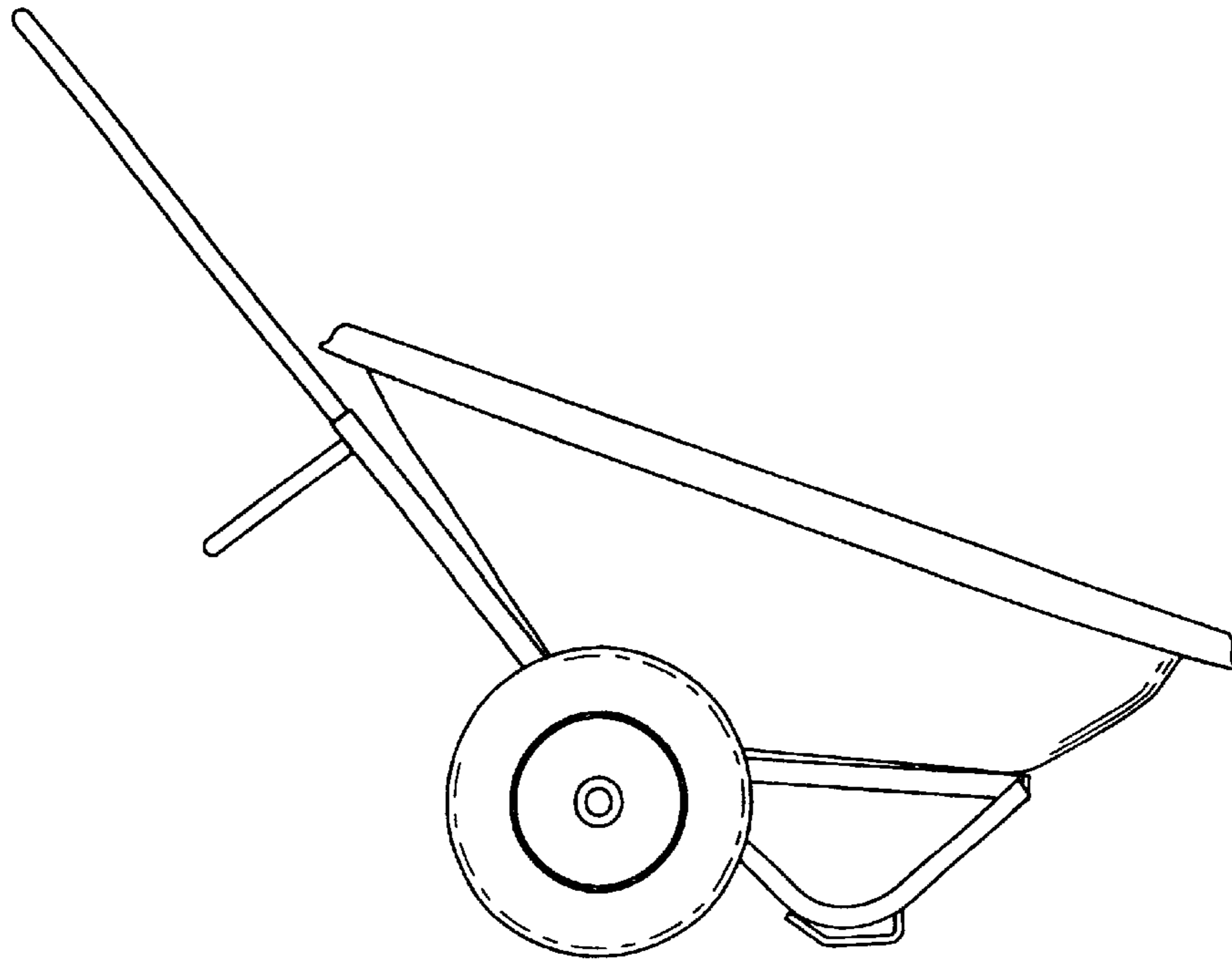


Fig 3

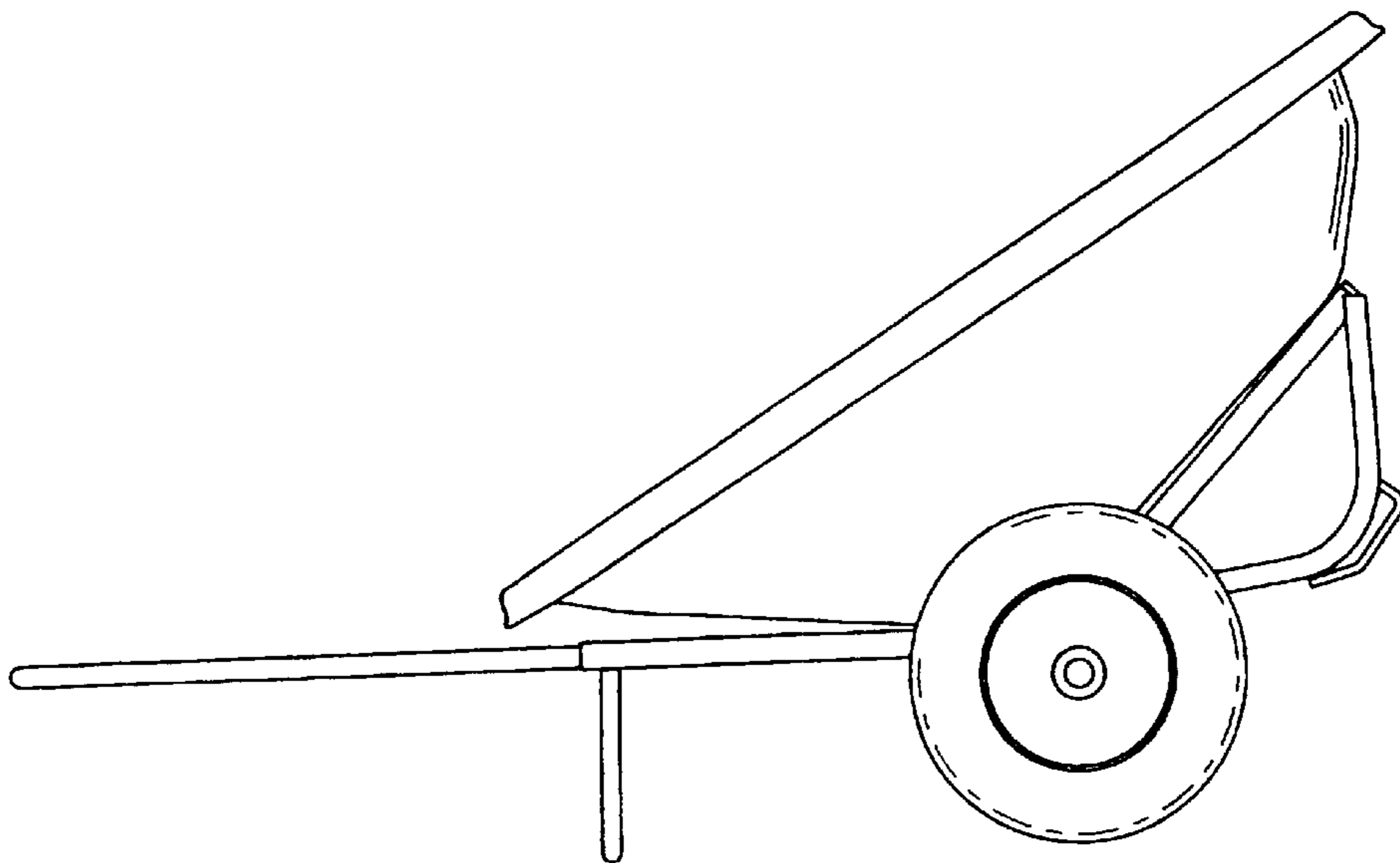


Fig 4

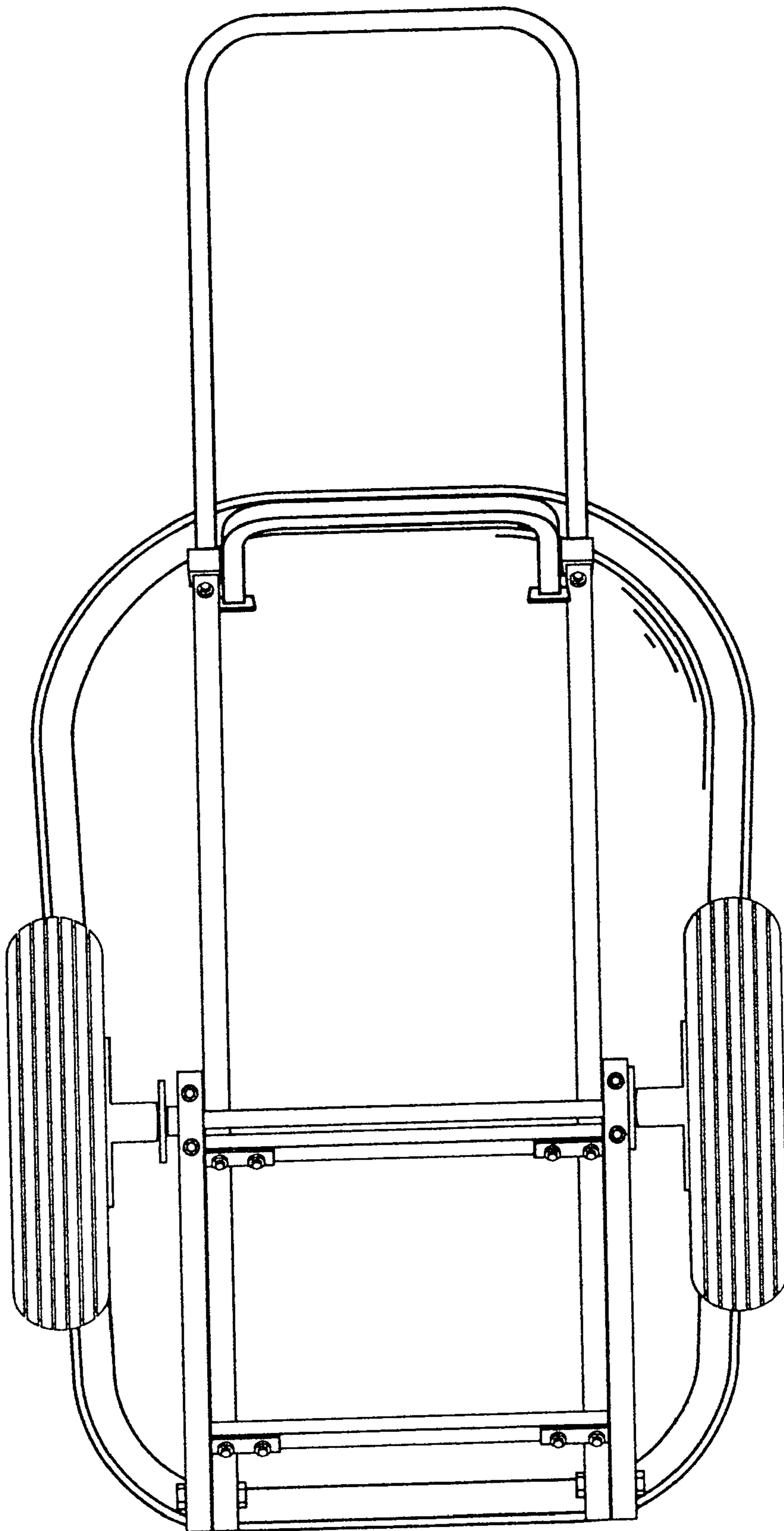


Fig 5

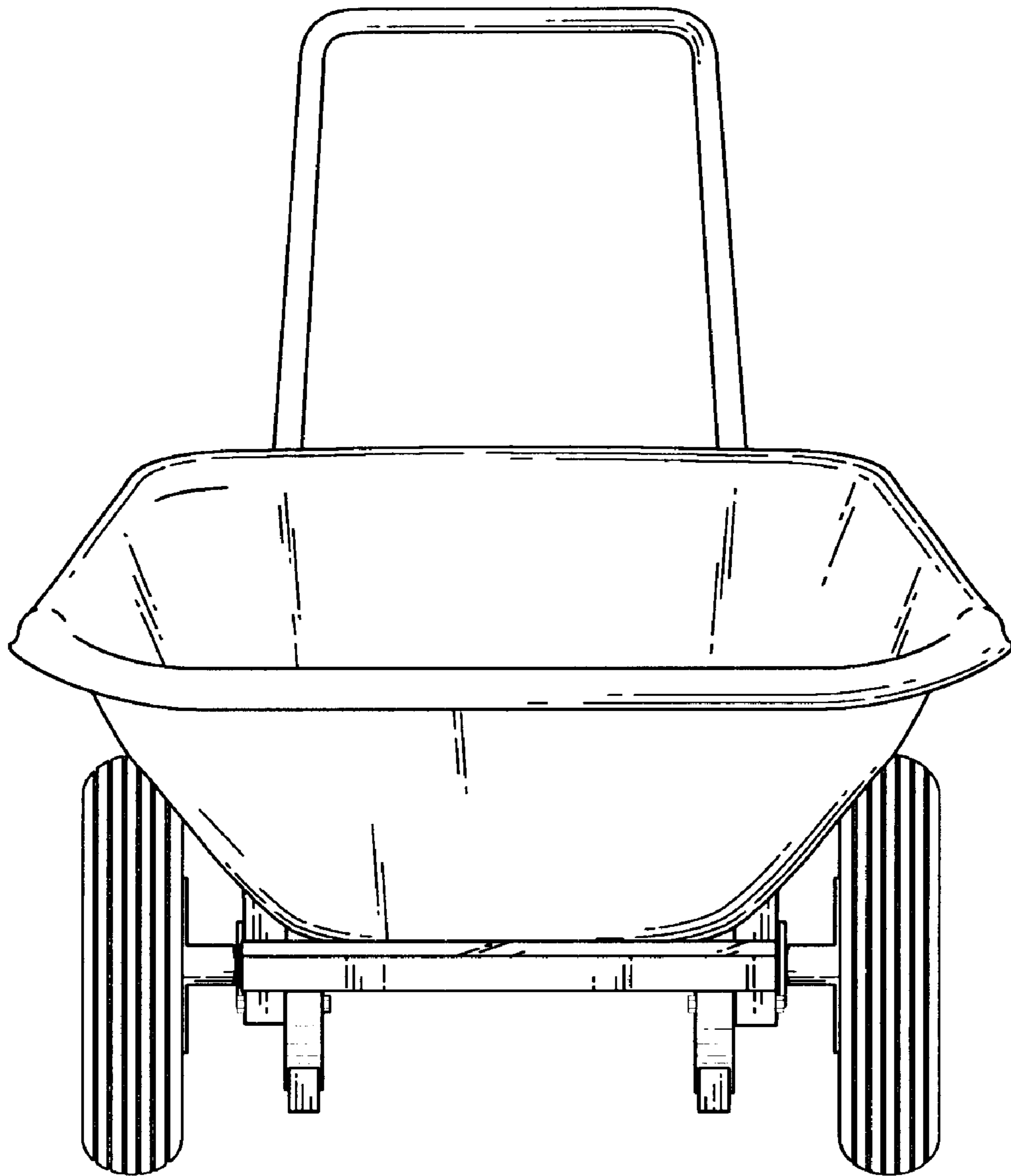


Fig 6