



US00D456967S

(12) **United States Design Patent**
Santiago

(10) **Patent No.:** **US D456,967 S**

(45) **Date of Patent:** **** May 7, 2002**

(54) **VACUUM CLEANER FOOT**

(75) **Inventor:** **Jose Carlito Santiago**, Grand Rapids, MI (US)

(73) **Assignee:** **Bissell Homecare, Inc.**, Grand Rapids, MI (US)

(**) **Term:** **14 Years**

(21) **Appl. No.:** **29/141,205**

(22) **Filed:** **May 1, 2001**

(51) **LOC (7) Cl.** **15-05**

(52) **U.S. Cl.** **D32/32**

(58) **Field of Search** D32/21-22, 31-33, D32/25; 15/322, 415.1-422.1, 41.1, 52.1, 387, 350-351, 366, 368, 383

(56) **References Cited**

U.S. PATENT DOCUMENTS

| | | | |
|-------------|----------|-----------------|--------|
| D312,338 S | 11/1990 | Hagstrand | |
| D318,542 S | 7/1991 | Funatsu et al. | |
| D326,938 S | 6/1992 | Burns | |
| D329,512 S | 9/1992 | McKnight et al. | |
| D333,021 S | 2/1993 | Breur | |
| D358,242 S | 5/1995 | McKnight | |
| 5,497,532 A | * 3/1996 | Glatz | 15/401 |

| | | | | | |
|------------|---|---------|-----------------|-------|--------|
| D382,681 S | * | 8/1997 | Thomas | | D32/22 |
| D405,571 S | | 2/1999 | Gildersleeve | | |
| D418,267 S | | 12/1999 | Lin | | |
| D425,273 S | | 5/2000 | Stephens et al. | | |
| D427,737 S | * | 7/2000 | Dyson et al. | | D32/32 |
| D440,019 S | | 4/2001 | Mehaffey et al. | | |
| D443,120 S | * | 5/2001 | Choi | | D32/32 |
| D449,724 S | * | 10/2001 | Nighy et al. | | D32/32 |

* cited by examiner

Primary Examiner—Ruth McInroy

(74) *Attorney, Agent, or Firm*—McGarry Bair LLP

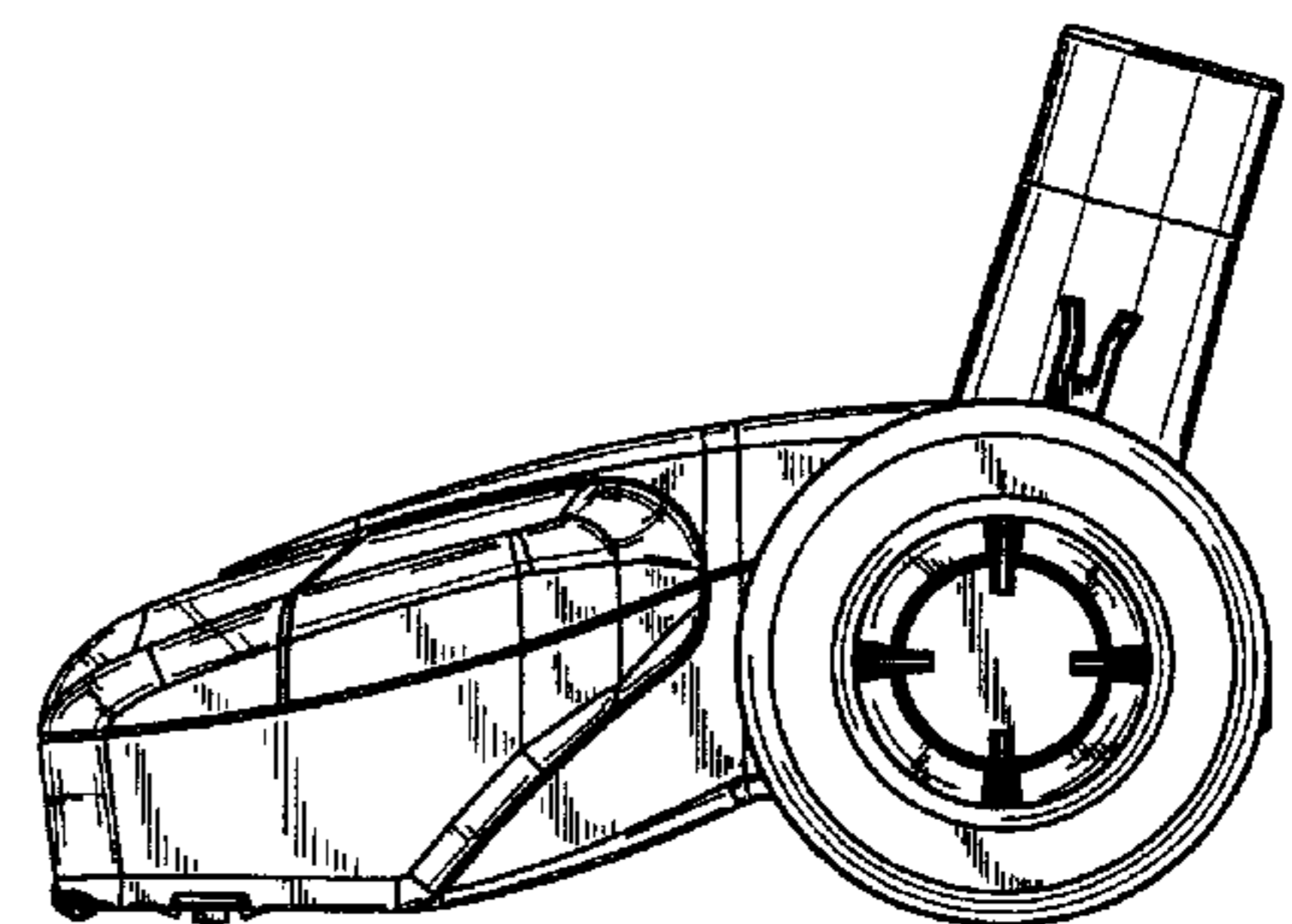
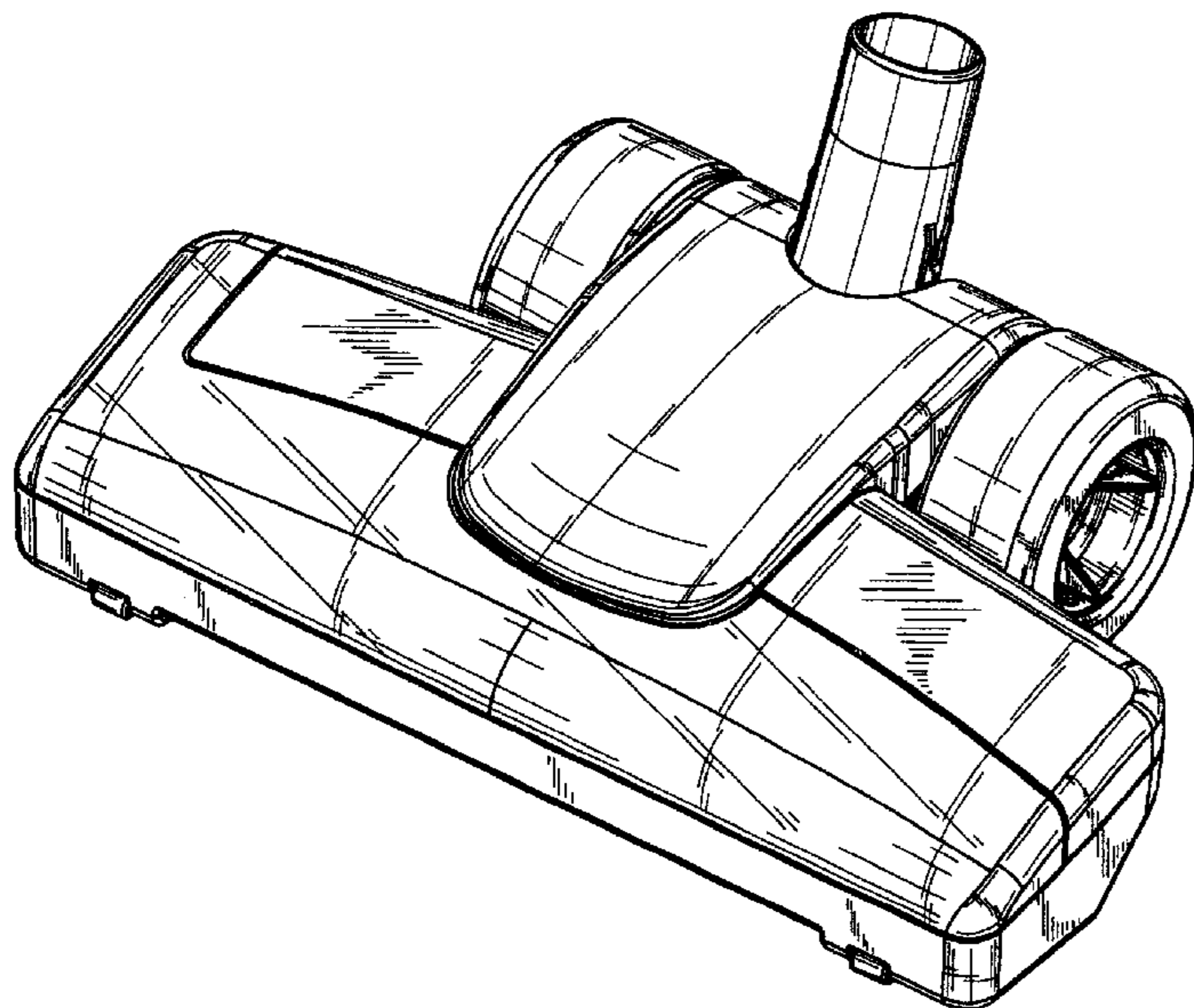
(57) **CLAIM**

The ornamental design for a vacuum cleaner foot, as shown and described.

DESCRIPTION

FIG. 1 is a perspective view of a vacuum cleaner foot showing my new design; FIG. 2 is a front elevational view thereof; FIG. 3 is a right side elevational view thereof, the left side elevational view being a mirror image thereof; FIG. 4 is a top plan view thereof; and, FIG. 5 is a rear elevational view thereof. The bottom plan view is unornamented.

1 Claim, 4 Drawing Sheets



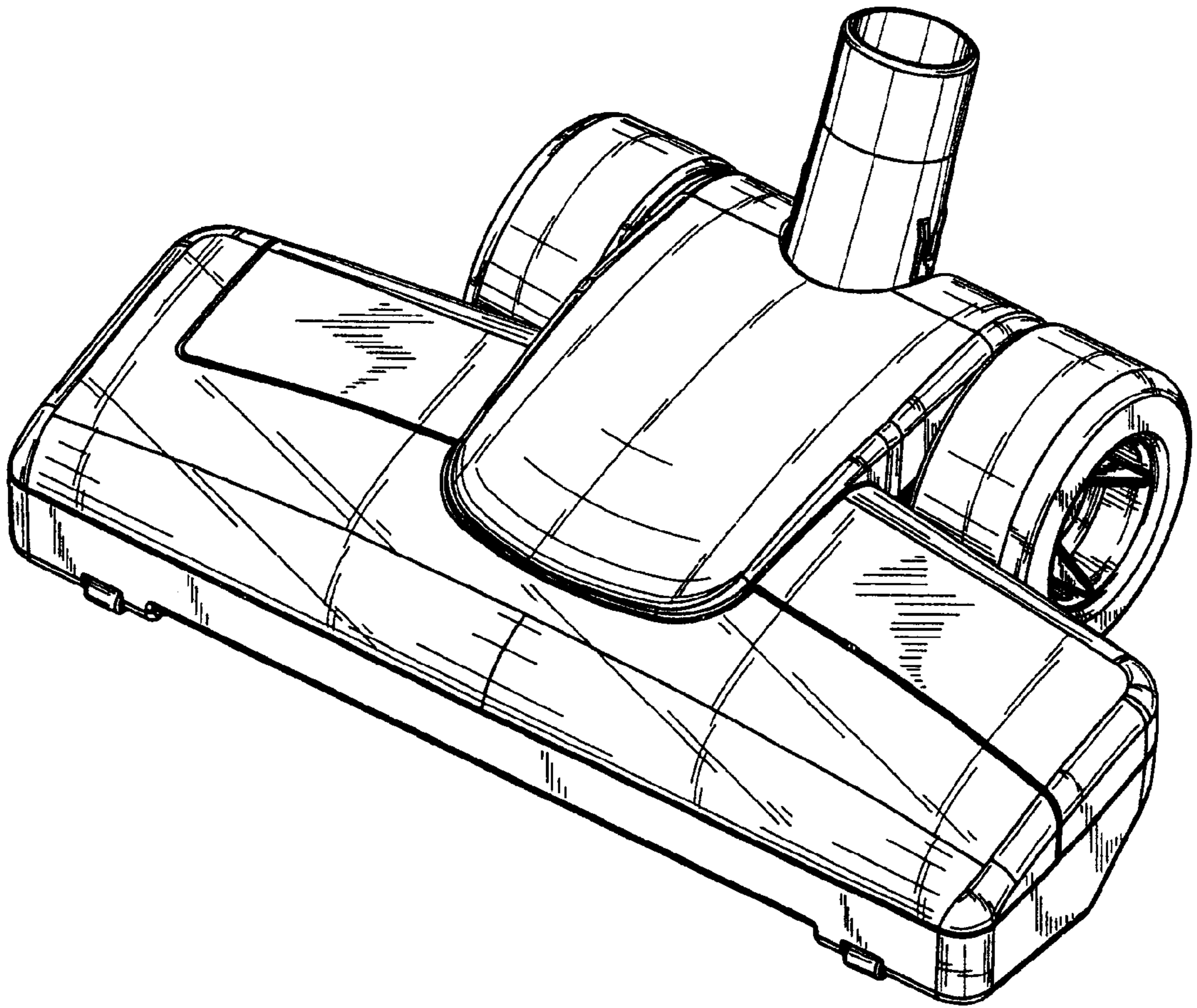


Fig. 1

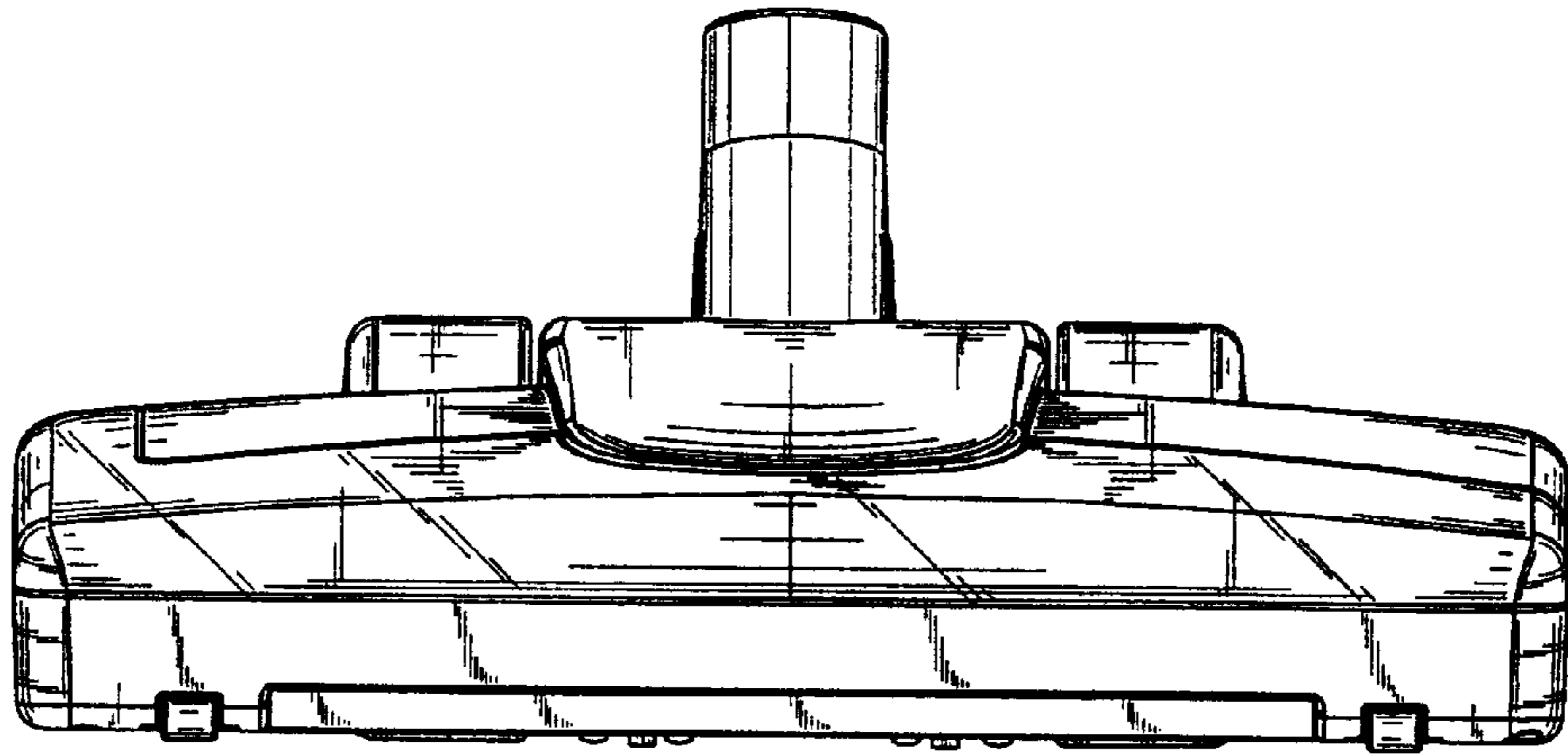


Fig. 2

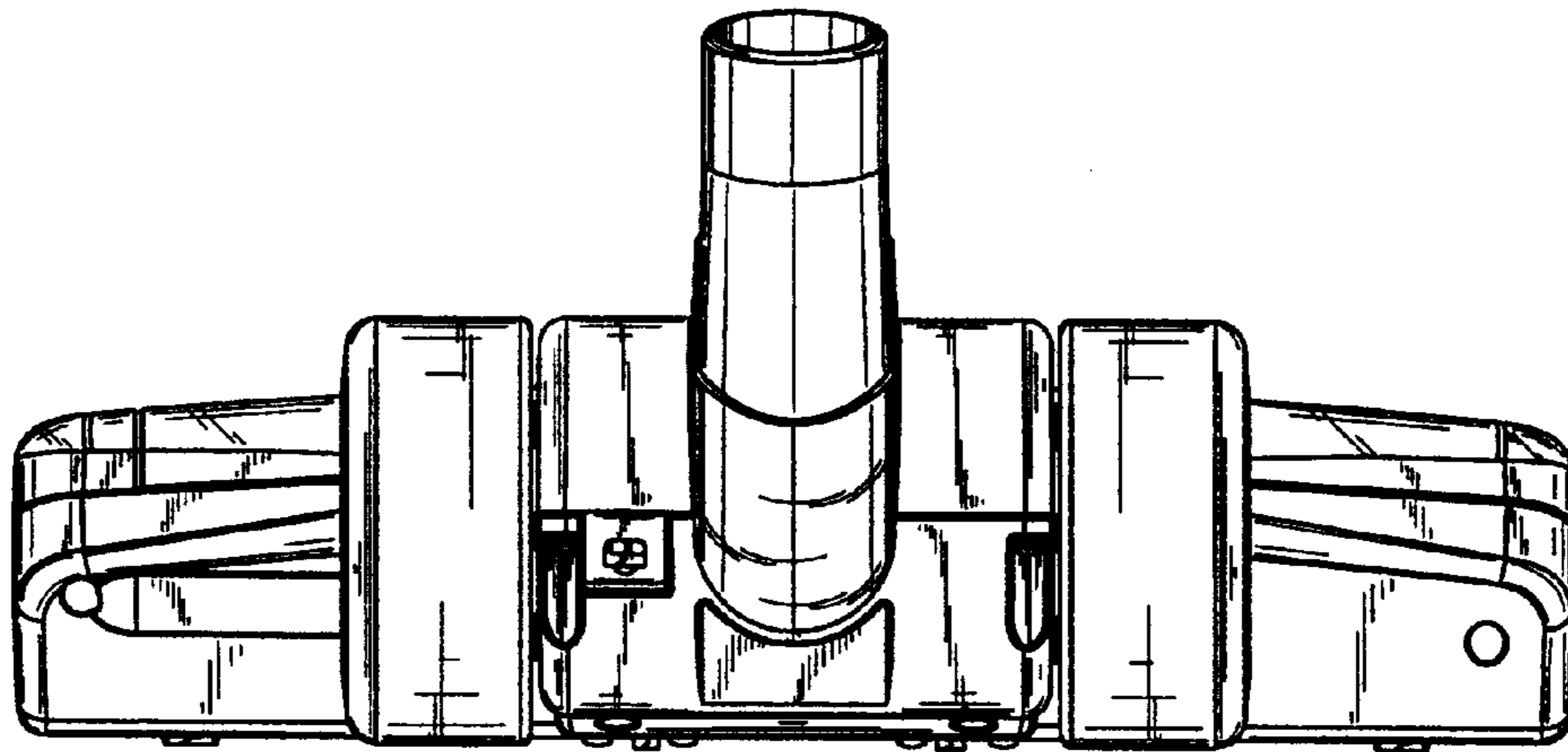


Fig. 5

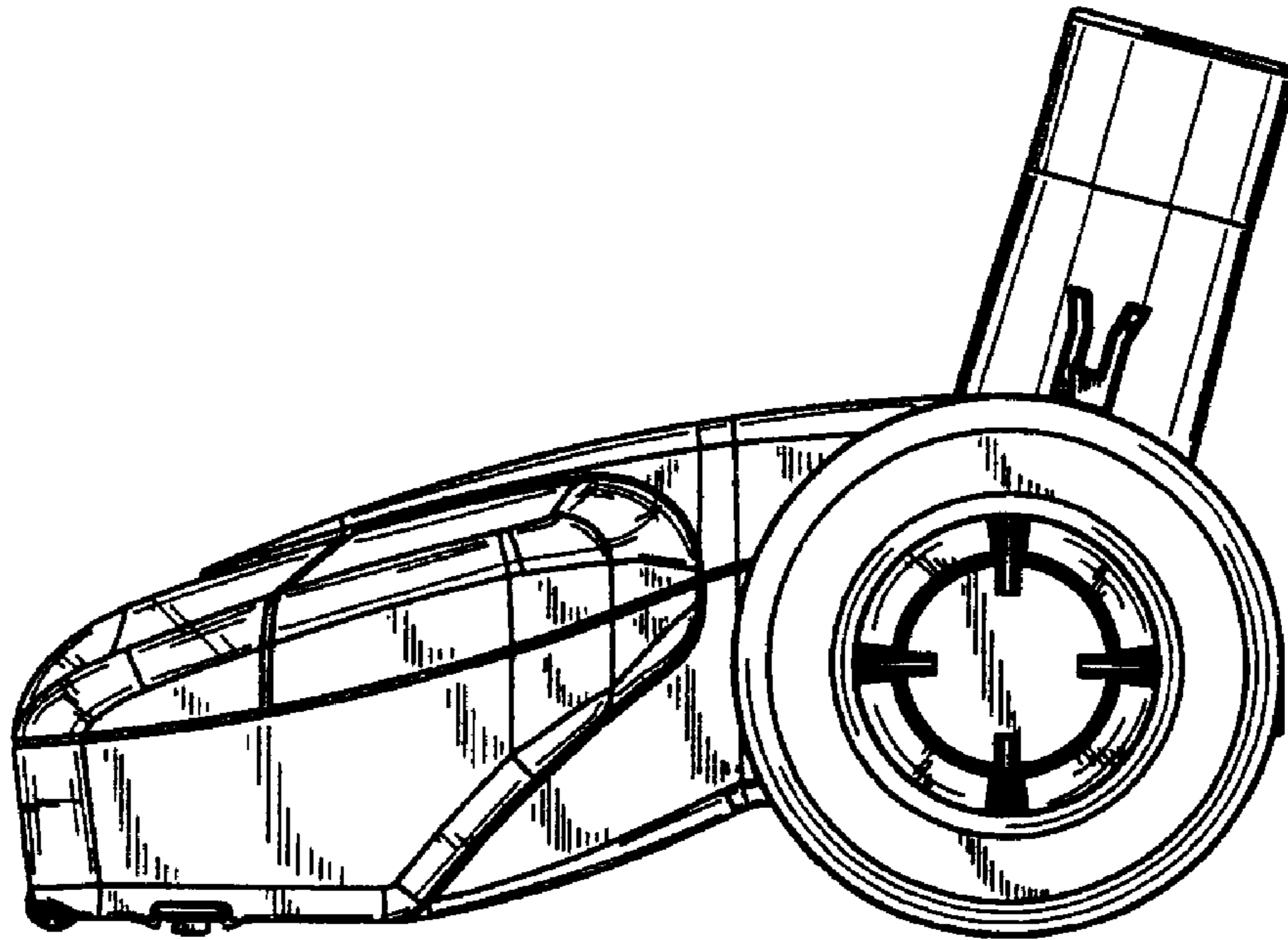


Fig. 3

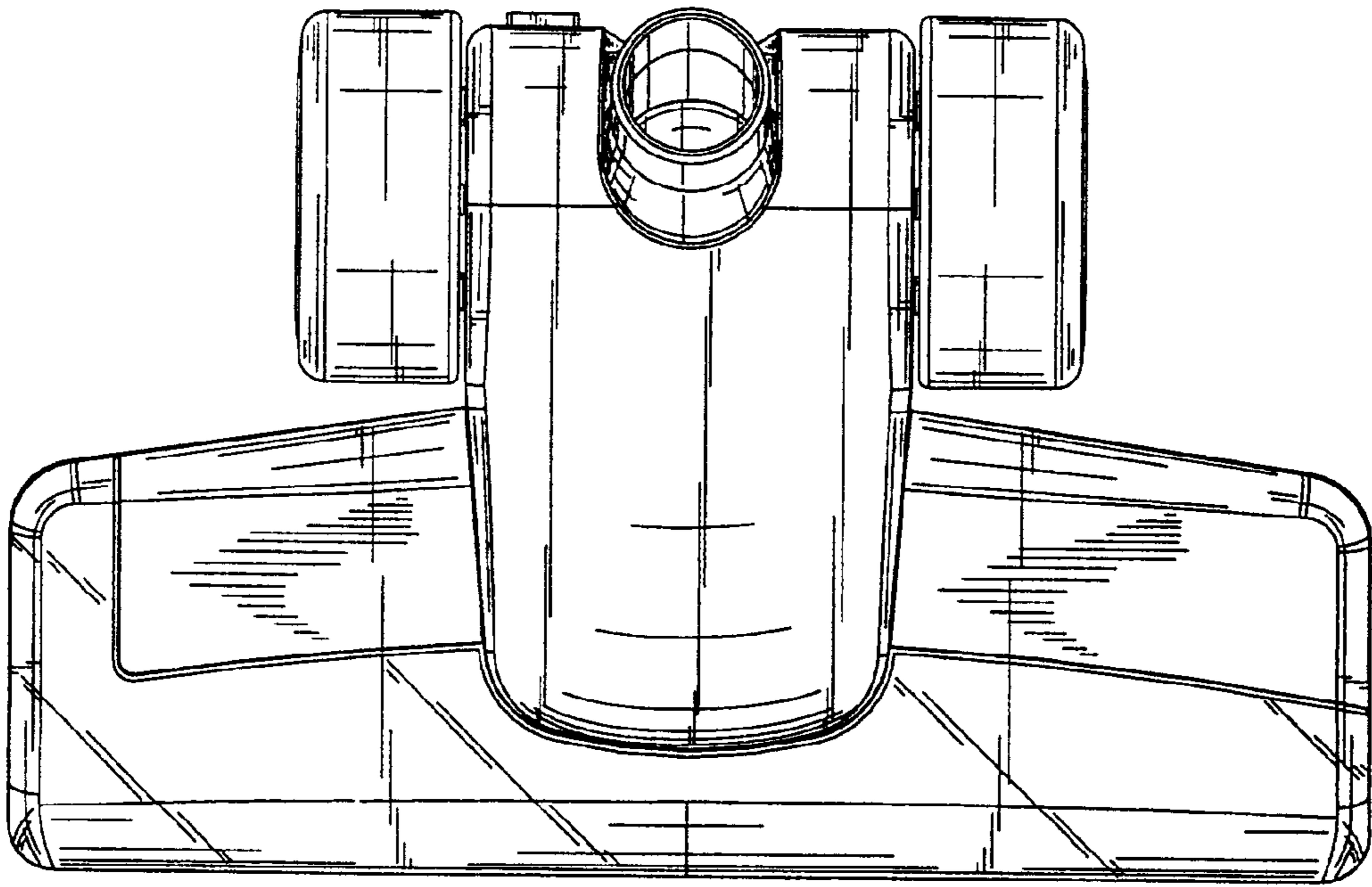


Fig. 4