



US00D456965S

(12) **United States Design Patent**
Paterson et al.

(10) **Patent No.: US D456,965 S**

(45) **Date of Patent: ** May 7, 2002**

(54) **VACUUM HEAD HOUSING**

(75) Inventors: **Chris M. Paterson**, Long Beach, MS (US); **Javier Verdura**, Milford, CT (US); **Owen T. Bourgeois**, Bay Saint Louis, MS (US)

(73) Assignee: **Oreck Holdings, LLC**, Cheyenne, WY (US)

(*) Notice: This patent is subject to a terminal disclaimer.

(**) Term: **14 Years**

(21) Appl. No.: **29/130,254**

(22) Filed: **Sep. 29, 2000**

(51) **LOC (7) Cl.** **15-05**

(52) **U.S. Cl.** **D32/32**

(58) **Field of Search** D32/21-22, 31-33, D32/25; 15/323, 347, 350, 351, 352, 410-412, 415.1-422.1, 327.6

(56) **References Cited**

U.S. PATENT DOCUMENTS

- 4,219,902 A 9/1980 DeMaagd
- D263,236 S * 3/1982 Ueda D32/32
- D298,876 S * 12/1988 Yamamoto et al. D32/33

- D313,294 S * 12/1990 Slany et al. D32/33
- D314,264 S * 1/1991 Kim D32/33
- D314,265 S * 1/1991 Hong D32/33
- D331,991 S * 12/1992 Wright et al. D32/32
- D352,809 S * 11/1994 Reath D32/31
- 5,794,297 A 8/1998 Muta
- 6,094,776 A 8/2000 Fish
- D440,019 S * 4/2001 Mehaffey et al. D32/32

* cited by examiner

Primary Examiner—Ruth McInroy

(74) *Attorney, Agent, or Firm*—Faegre & Benson LLP

(57) **CLAIM**

We claim the ornamental design for a vacuum head housing, as shown and described.

DESCRIPTION

FIG. 1 is an isometric view looking downwardly toward the top and right side of the vacuum head housing showing our new design;

FIG. 2 is front elevation view thereof;

FIG. 3 is a rear elevation view thereof;

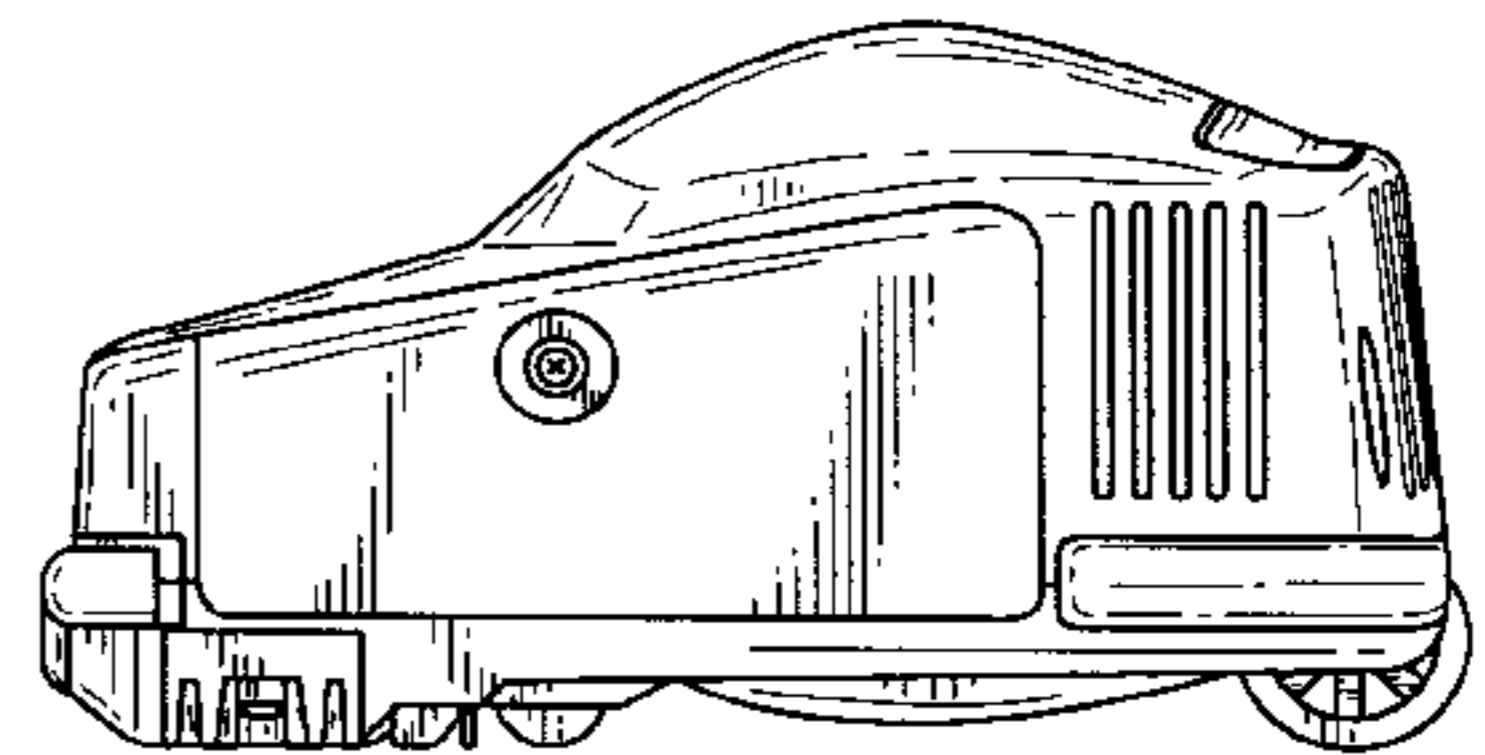
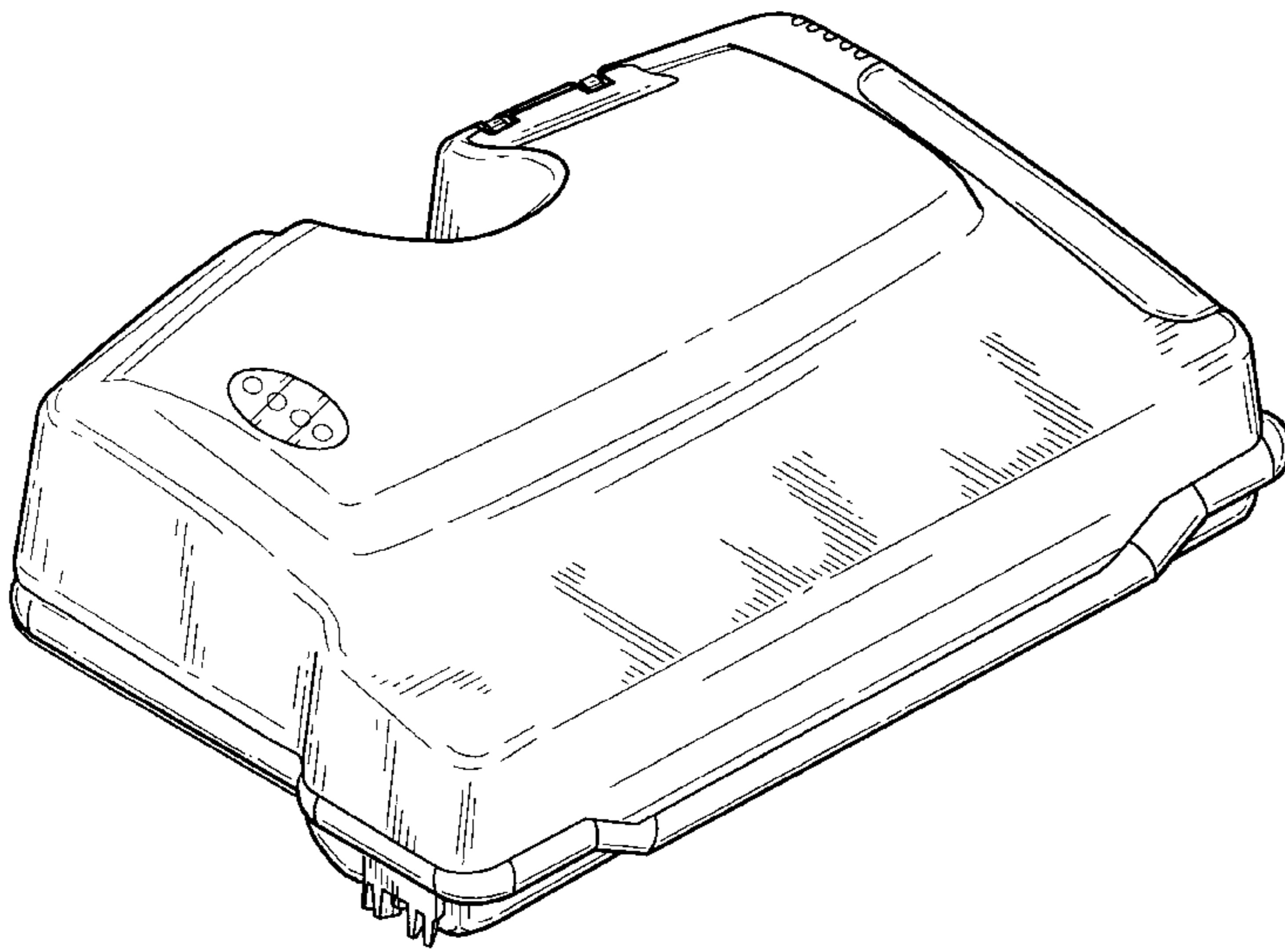
FIG. 4 is a left side elevation view thereof;

FIG. 5 is a right side elevation view thereof;

FIG. 6 is a top plan view thereof; and,

FIG. 7 is a bottom plan view thereof.

1 Claim, 4 Drawing Sheets



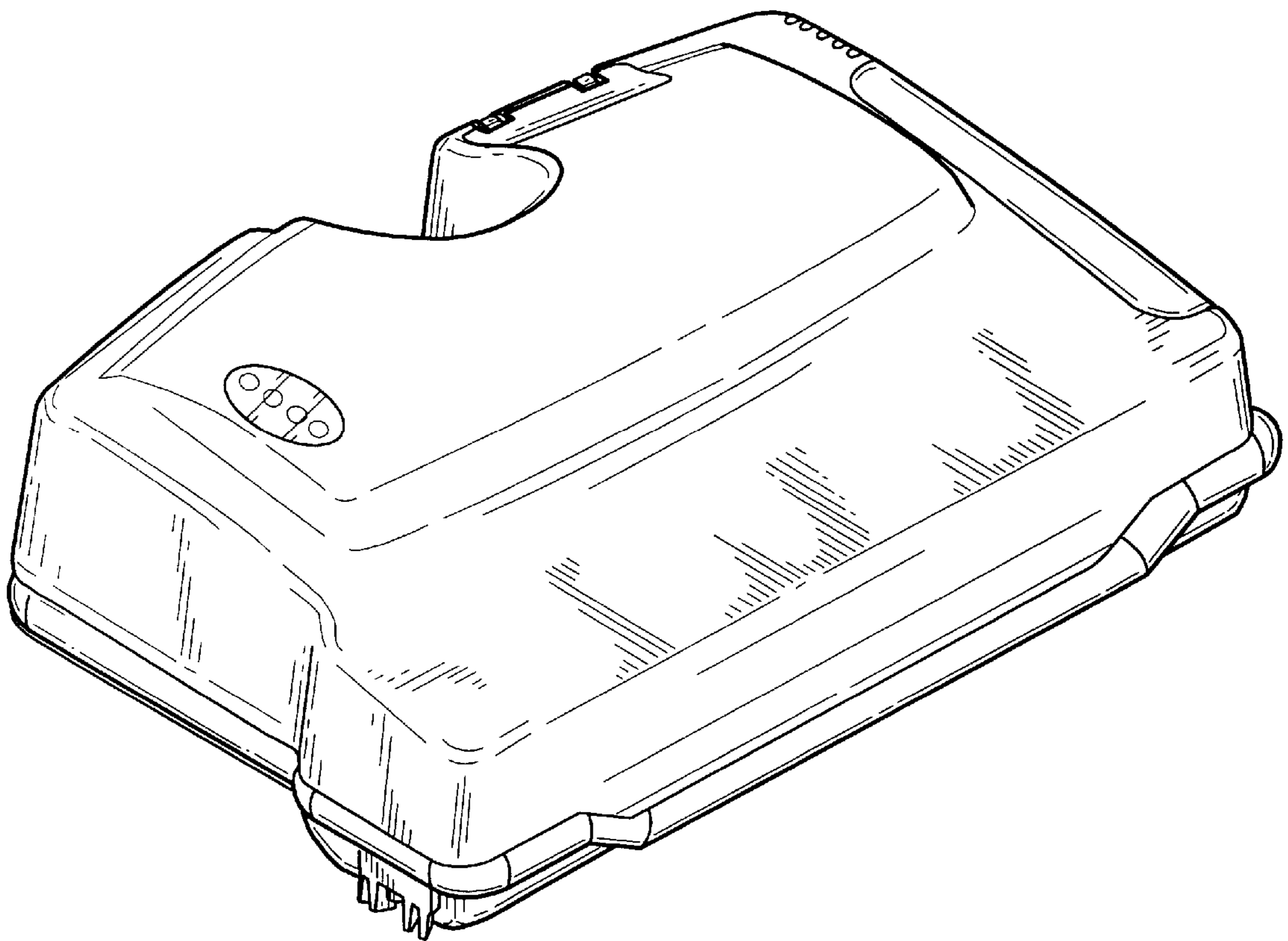


FIG.1

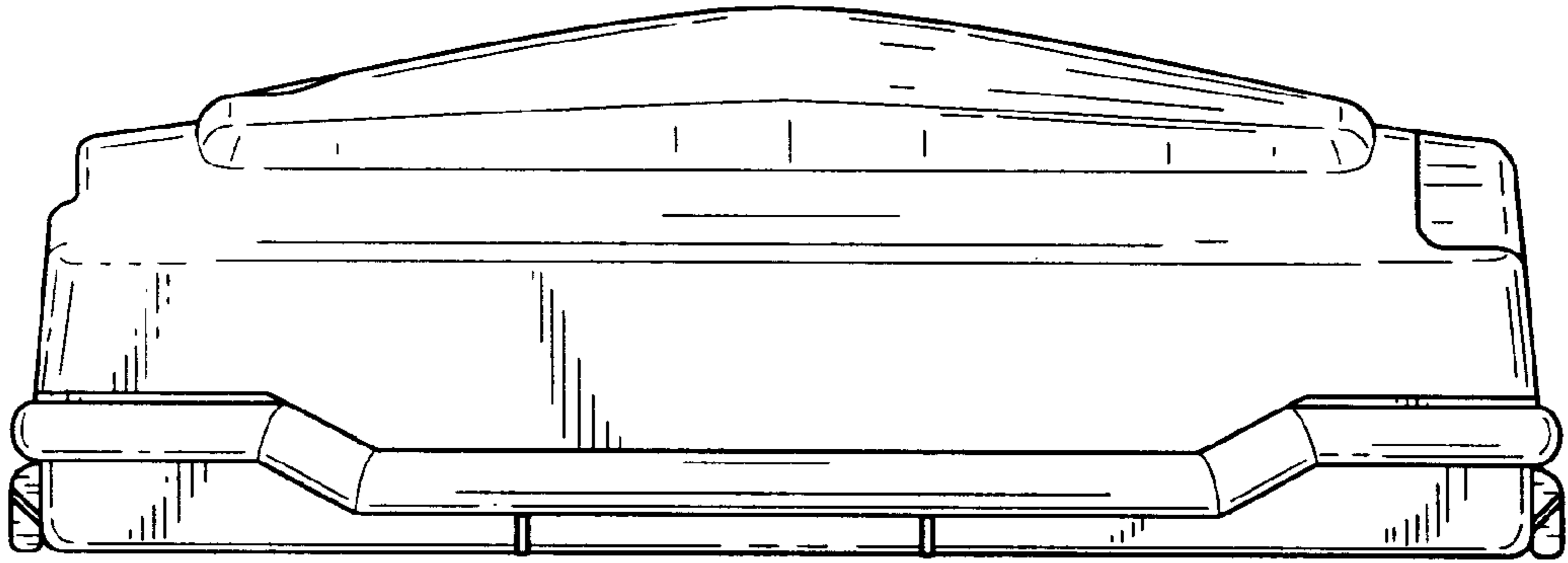


FIG. 2

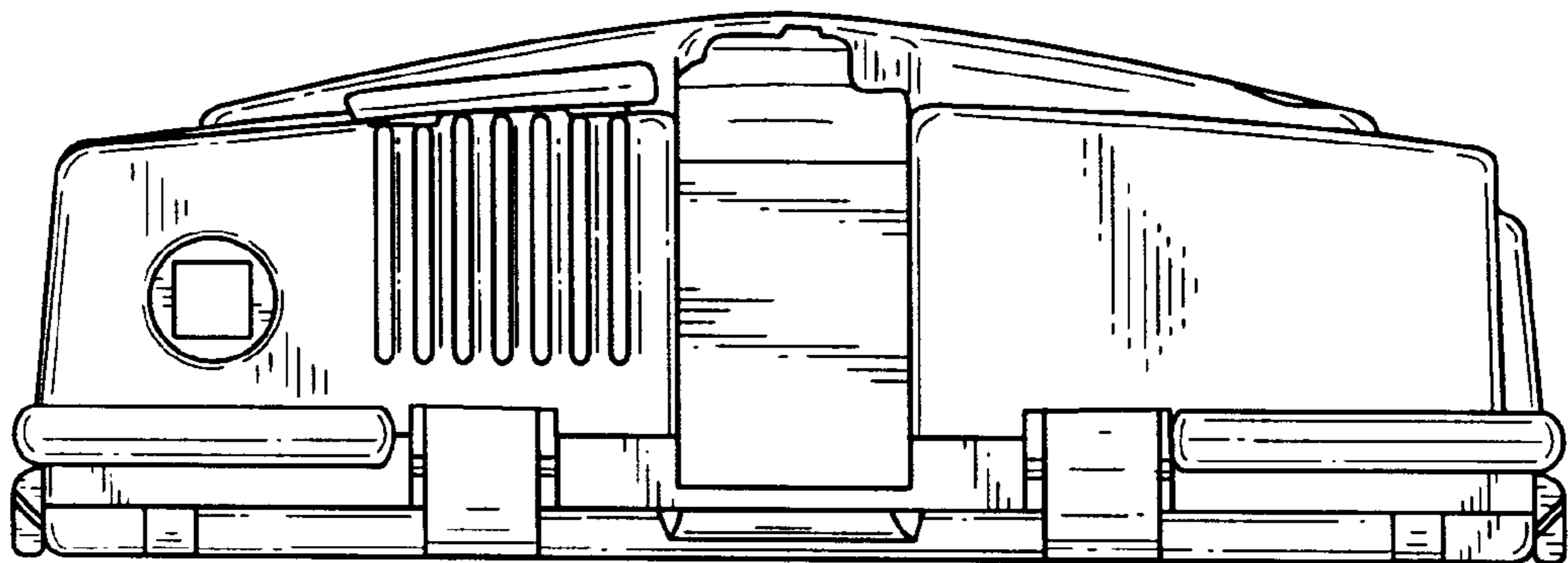


FIG. 3

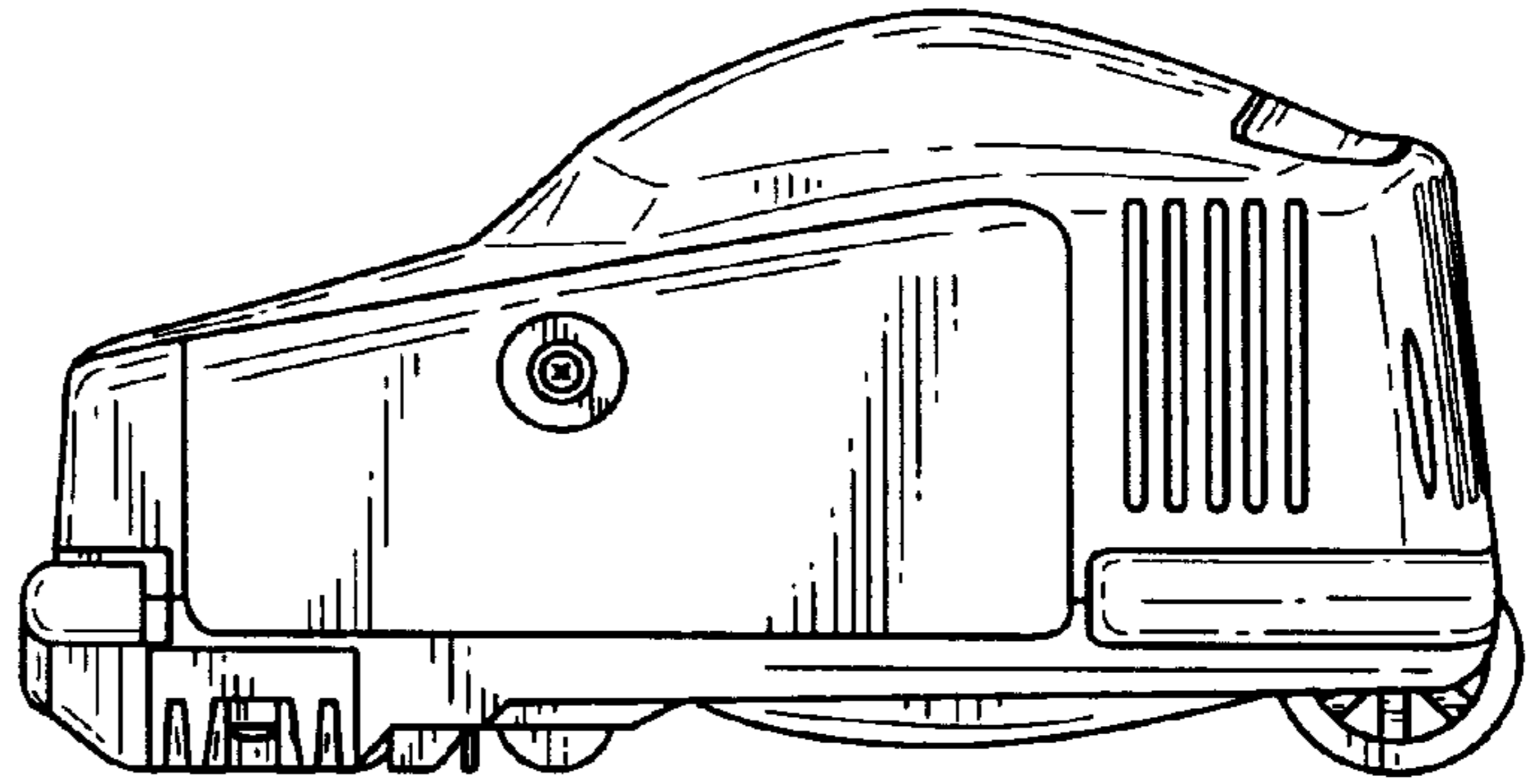


FIG. 4

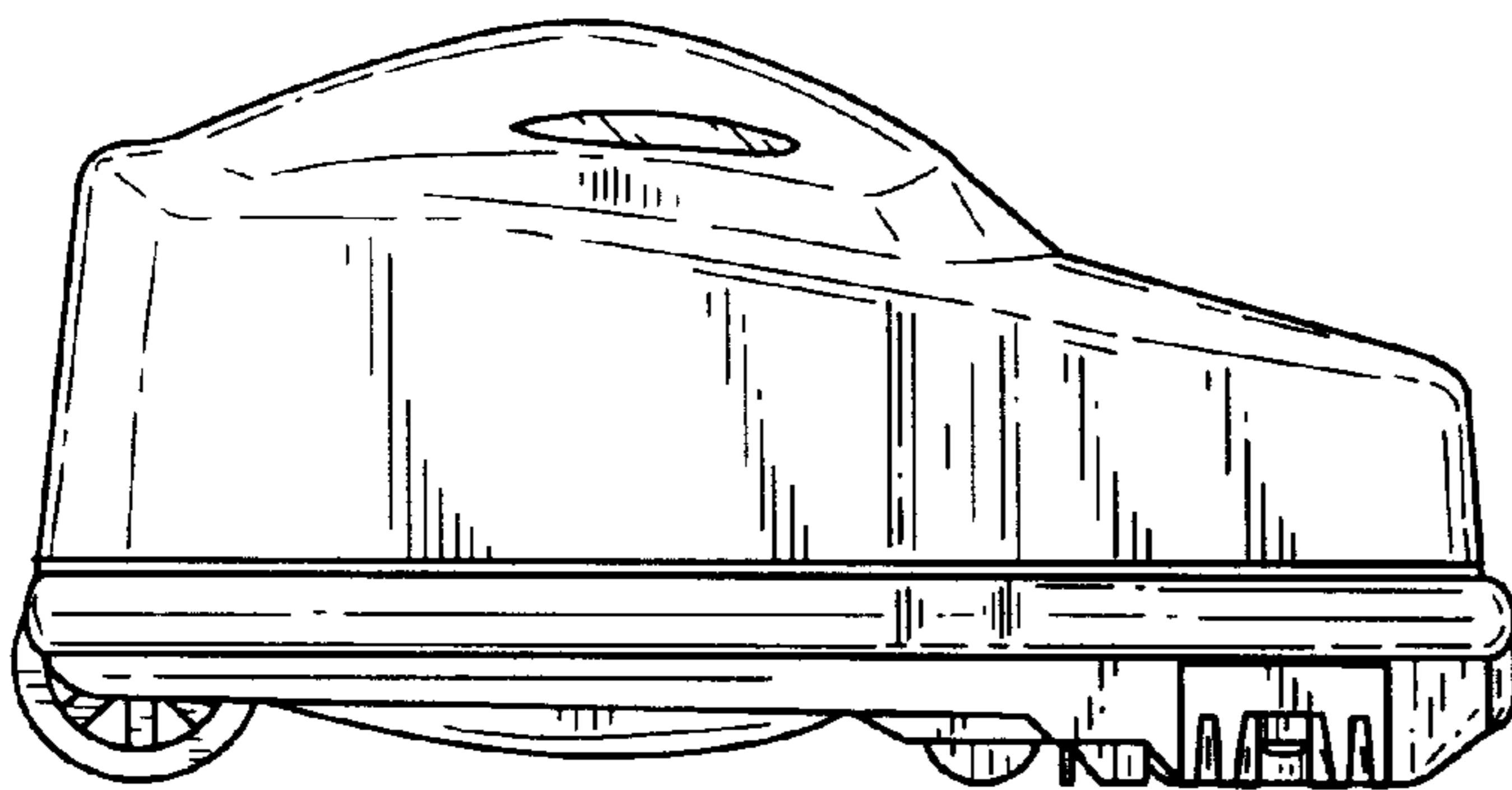


FIG. 5

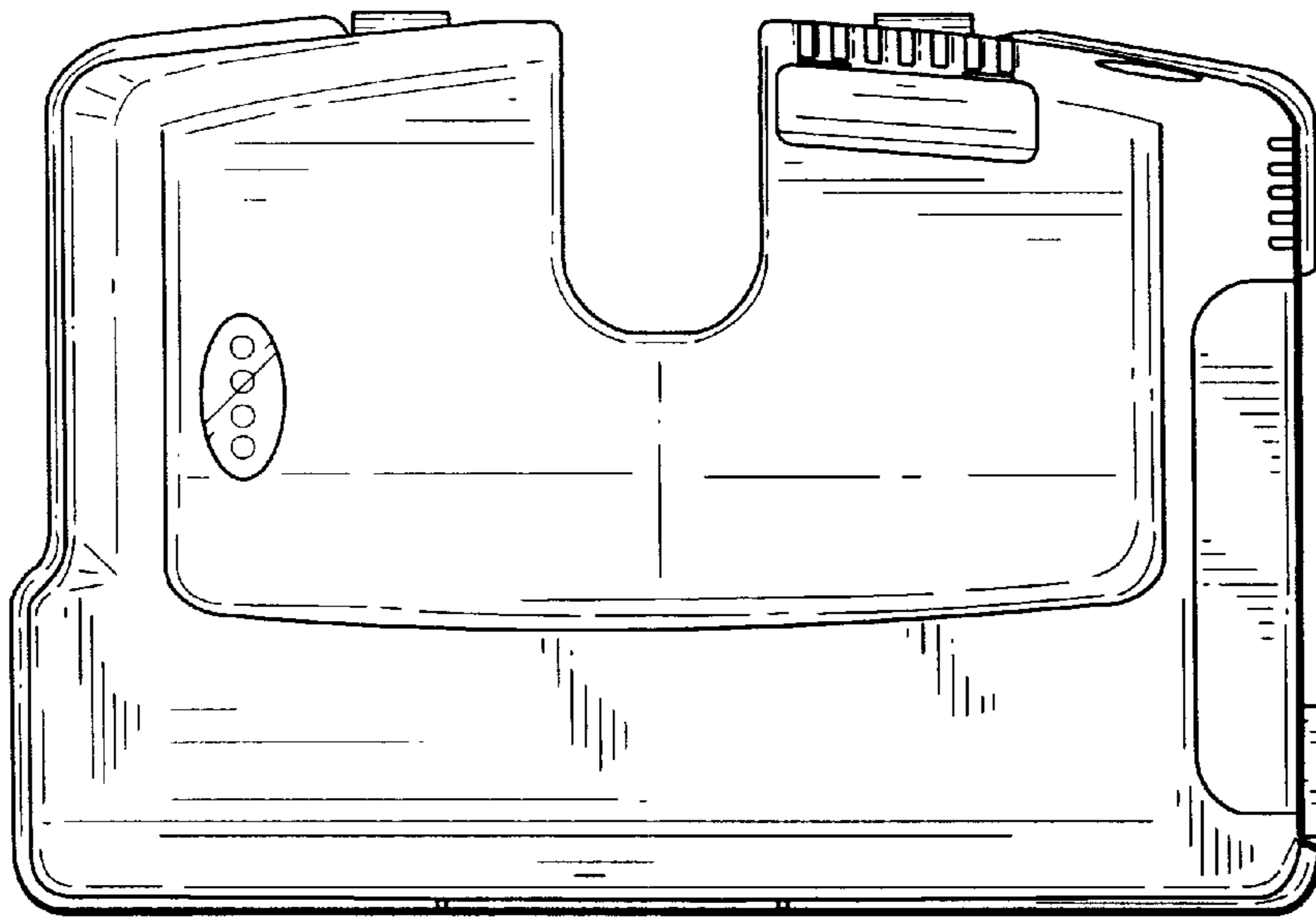


FIG. 6

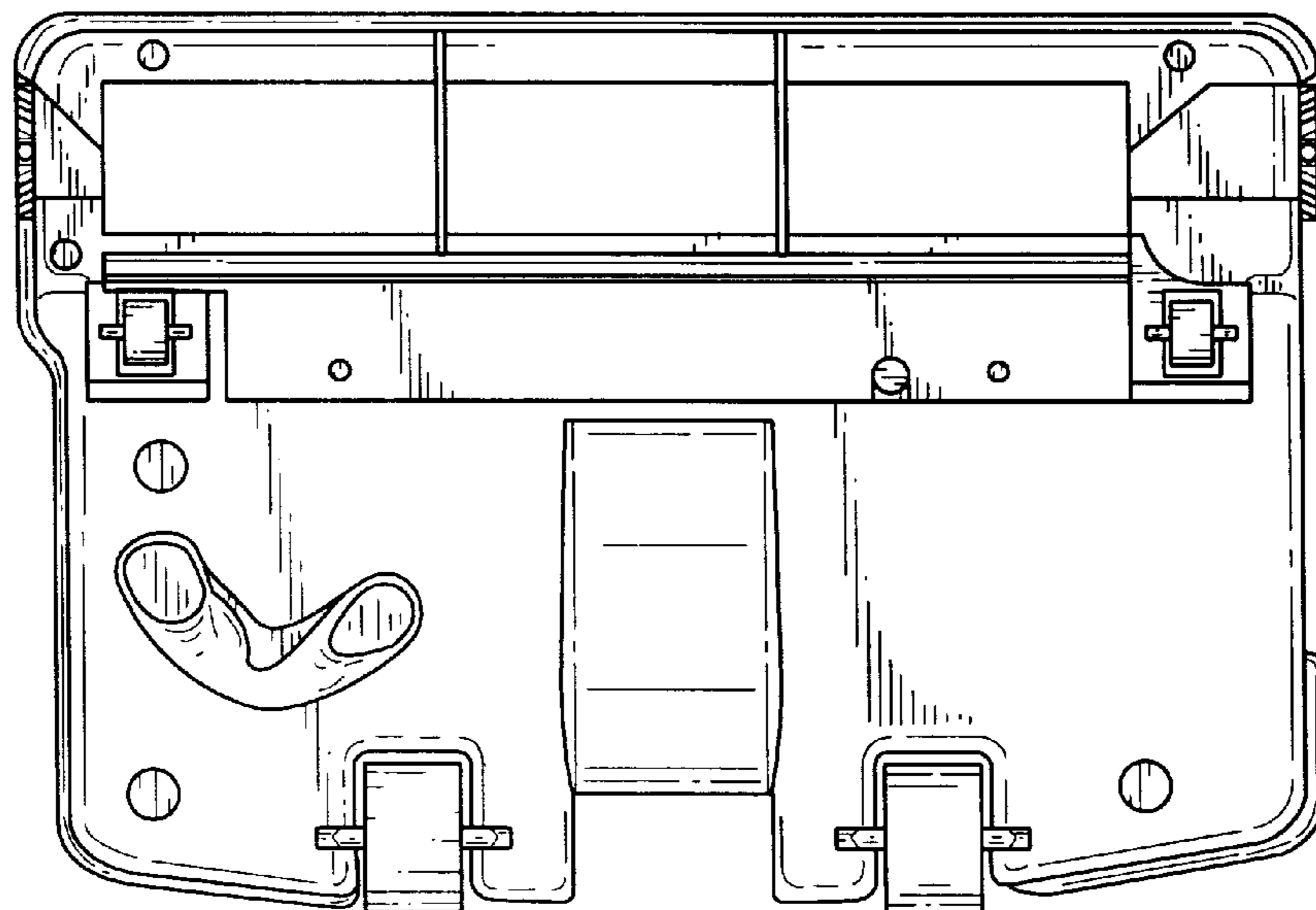


FIG. 7