



US00D456961S

(12) **United States Design Patent** (10) **Patent No.:** **US D456,961 S**  
**Ng** (45) **Date of Patent:** **\*\* May 7, 2002**

(54) **VACUUM CLEANER**

D437,666 S \* 2/2001 Park ..... D32/22

(75) Inventor: **Wai-Kong Ng, Tsuen Wan (CN)**

\* cited by examiner

(73) Assignee: **Winmate Industrial Limited, Kowloon (CN)**

*Primary Examiner*—Ruth McInroy

(74) *Attorney, Agent, or Firm*—Alix, Yale & Ristas, LLP

(\*\*) Term: **14 Years**

(57) **CLAIM**

(21) Appl. No.: **29/110,512**

The ornamental design for a vacuum cleaner, as shown and described.

(22) Filed: **Sep. 7, 1999**

**DESCRIPTION**

(51) **LOC (7) Cl.** ..... **15-05**

FIG. 1 is a frontal perspective view of the vacuum cleaner showing my new design;

(52) **U.S. Cl.** ..... **D32/22**

FIG. 2 is a front elevational view thereof;

(58) **Field of Search** ..... D32/22, 31, 25;  
D21/526; 15/329, 344, 353, 320–321, 310,  
312.1, 347, 350, 352, 337

FIG. 3 is a right side elevational view thereof;

FIG. 4 is a rear elevational view thereof;

FIG. 5 is a left side elevational view thereof;

FIG. 6 is a rear perspective view thereof;

FIG. 7 is a top plan view thereof;

FIG. 8 is a front perspective view of the vacuum cleaner of FIG. 1 wherein the handle thereof is folded; and,

FIG. 9 is a rear perspective view of the vacuum cleaner of FIG. 1 wherein the handle thereof is folded.

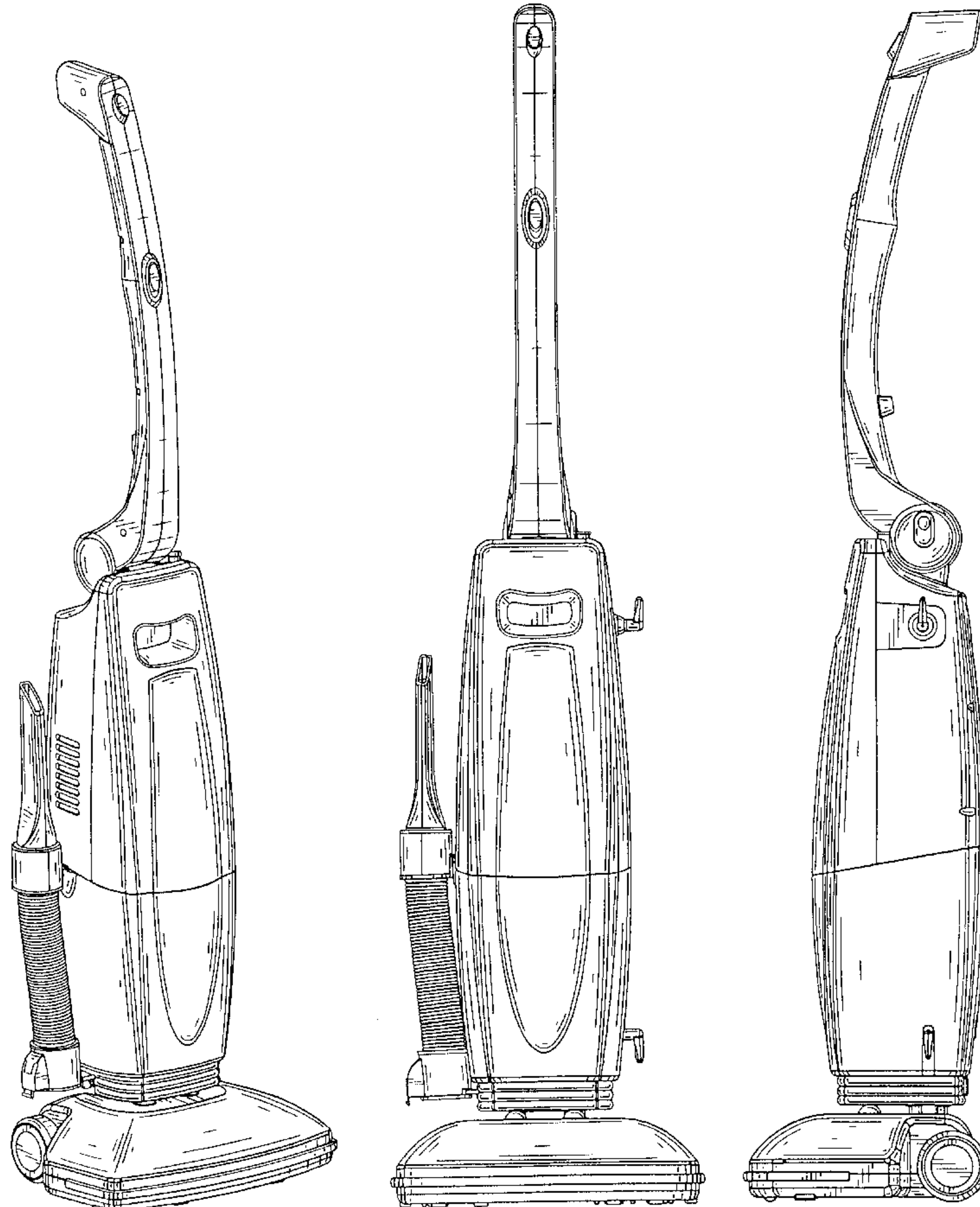
The bottom plan view forms no part of the claimed design.

(56) **References Cited**

**U.S. PATENT DOCUMENTS**

D371,652 S	*	7/1996	Umbach	.....	D32/22
D403,480 S	*	12/1998	Diebel	.....	D32/22
D415,324 S	*	10/1999	Wang et al.	.....	D32/22
D418,265 S	*	12/1999	Farone et al.	.....	D32/22
D421,164 S	*	2/2000	Luebbering	.....	D32/22
6,073,300 A	*	6/2000	Zahuranec et al.	.....	15/320
D432,282 S	*	10/2000	Hamm et al.	.....	D32/22

**1 Claim, 6 Drawing Sheets**



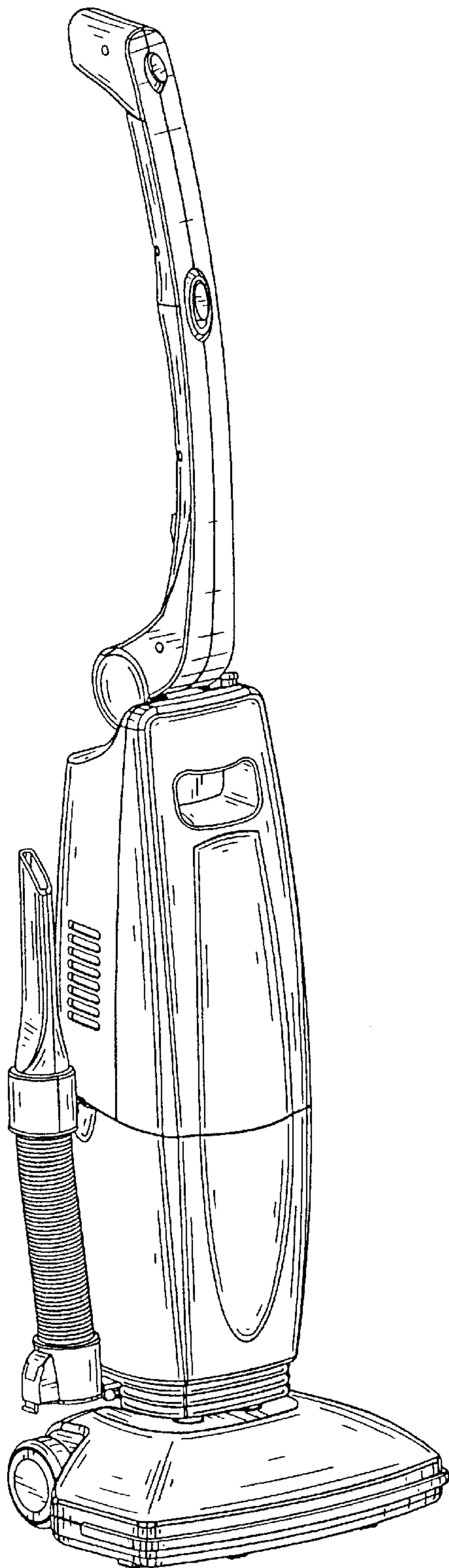


FIG. 1

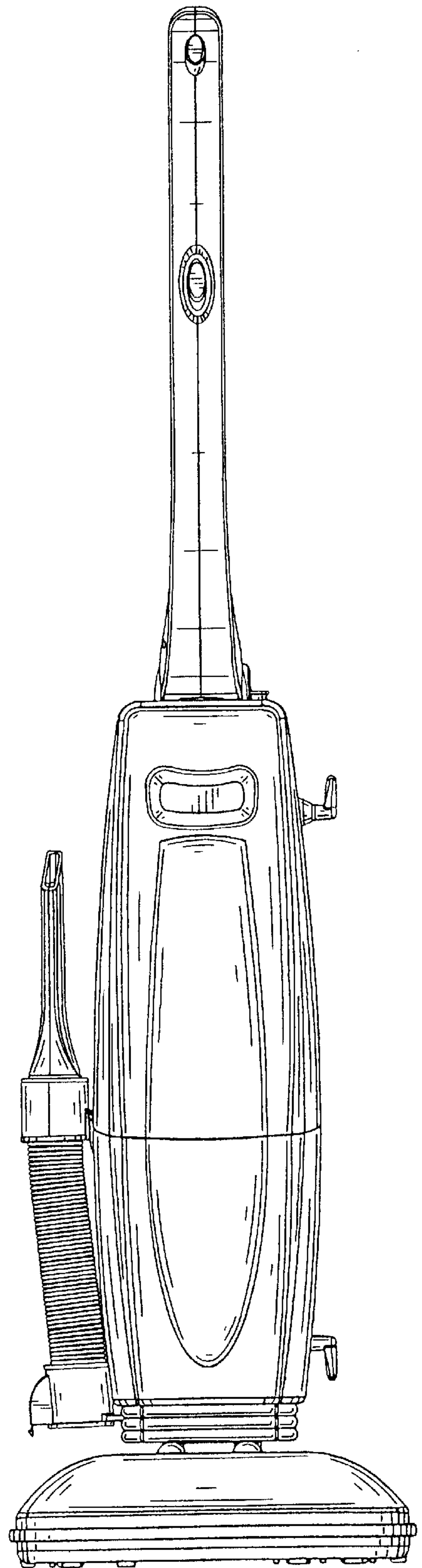


FIG. 2

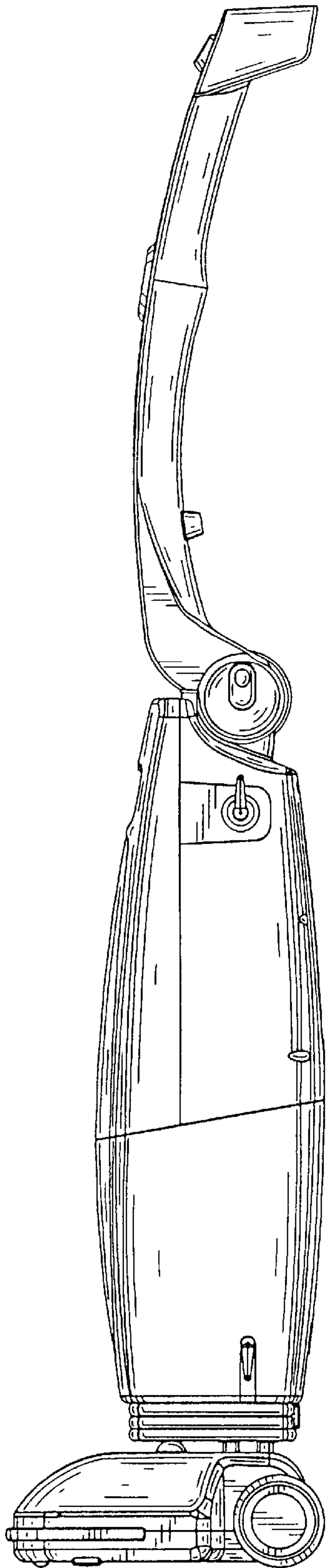


FIG. 3

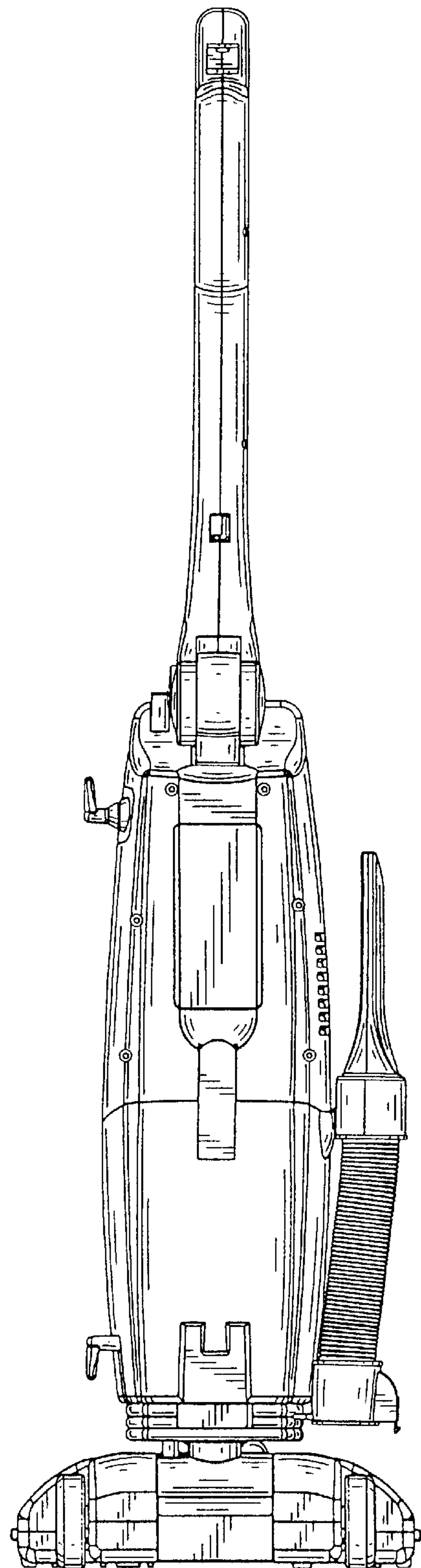


FIG. 4



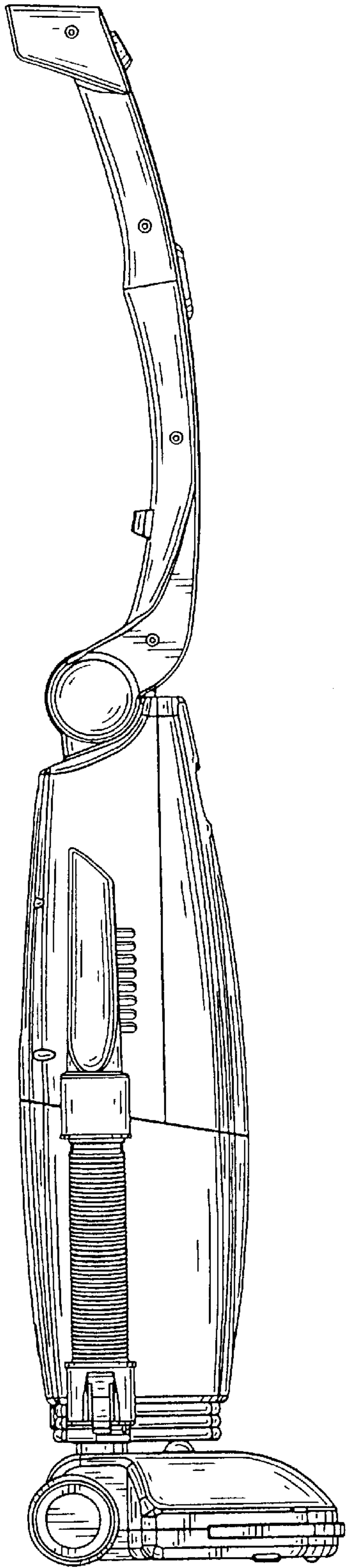


FIG. 5

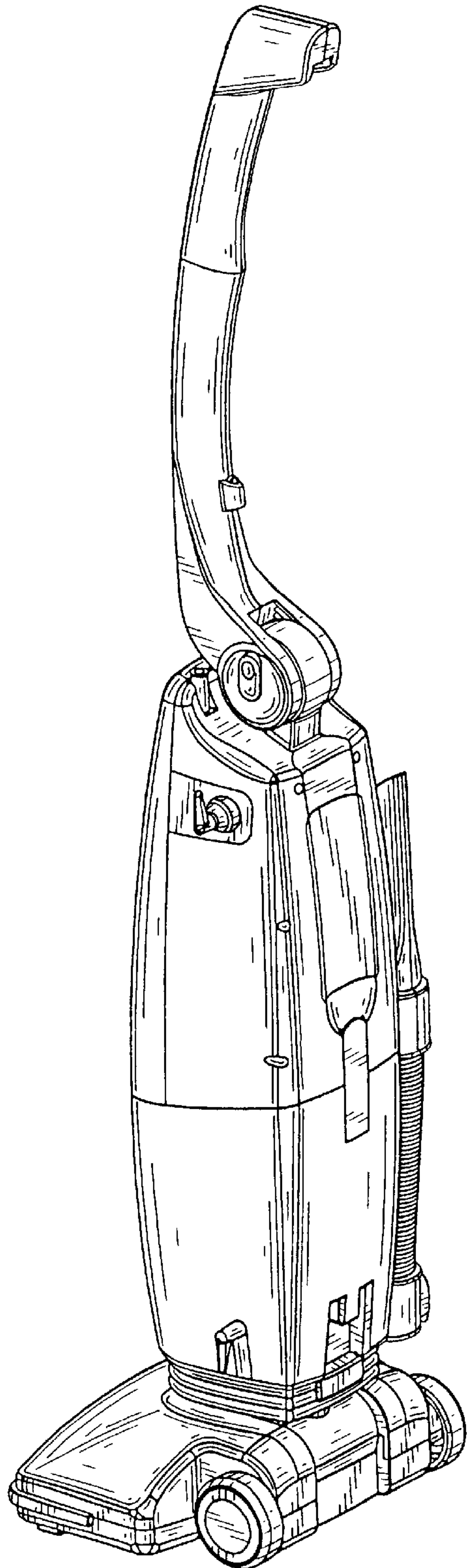


FIG. 6

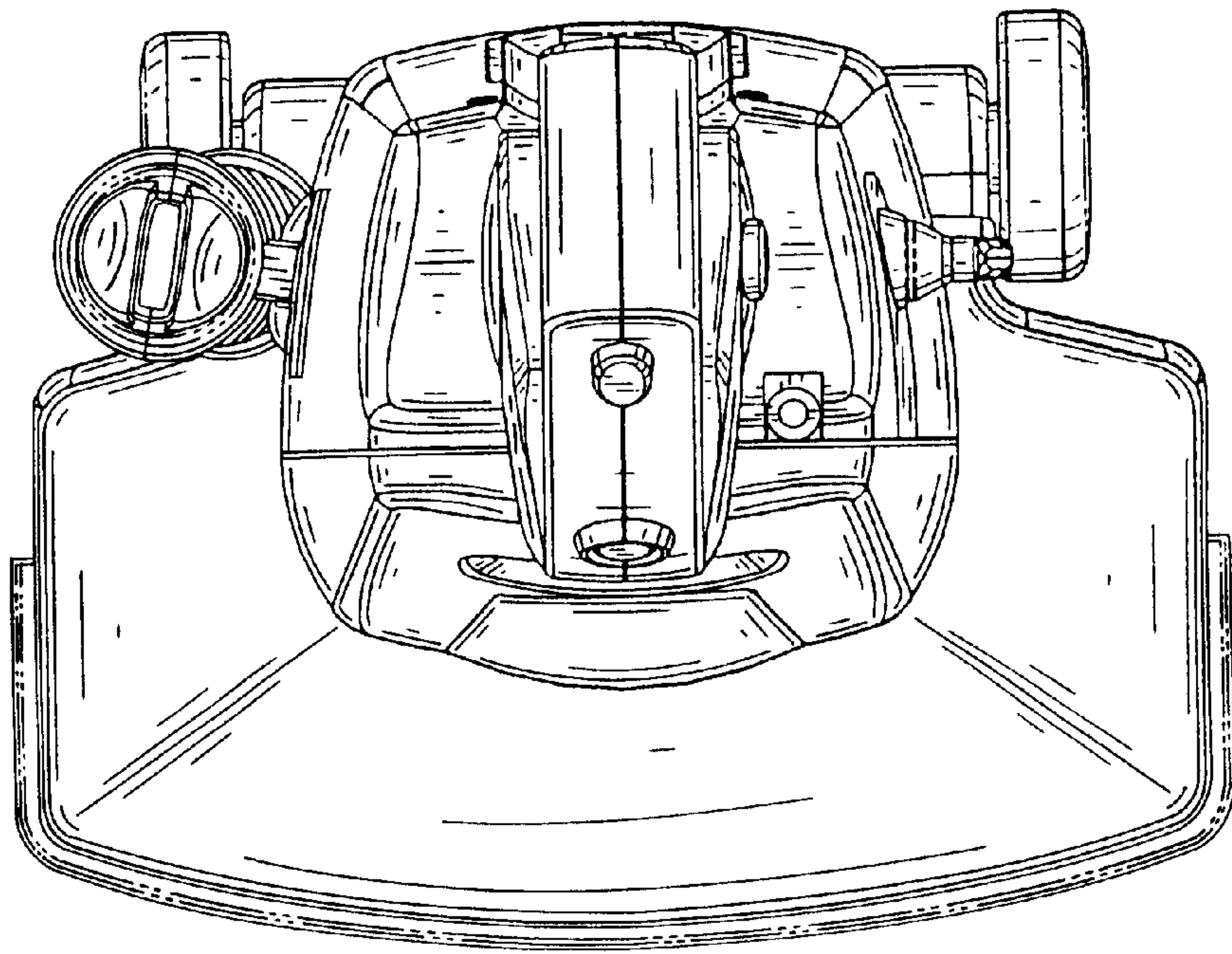


FIG. 7

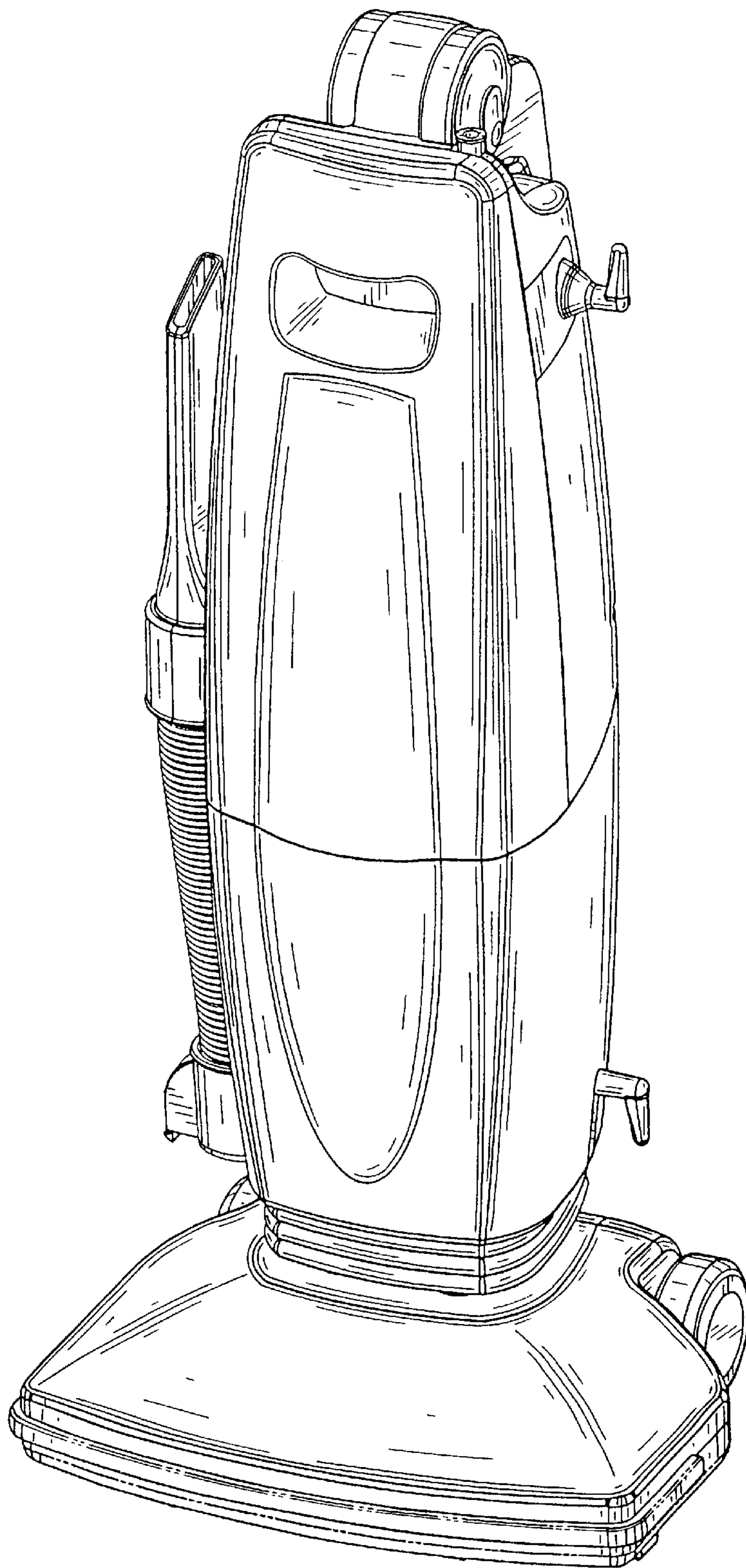


FIG. 8

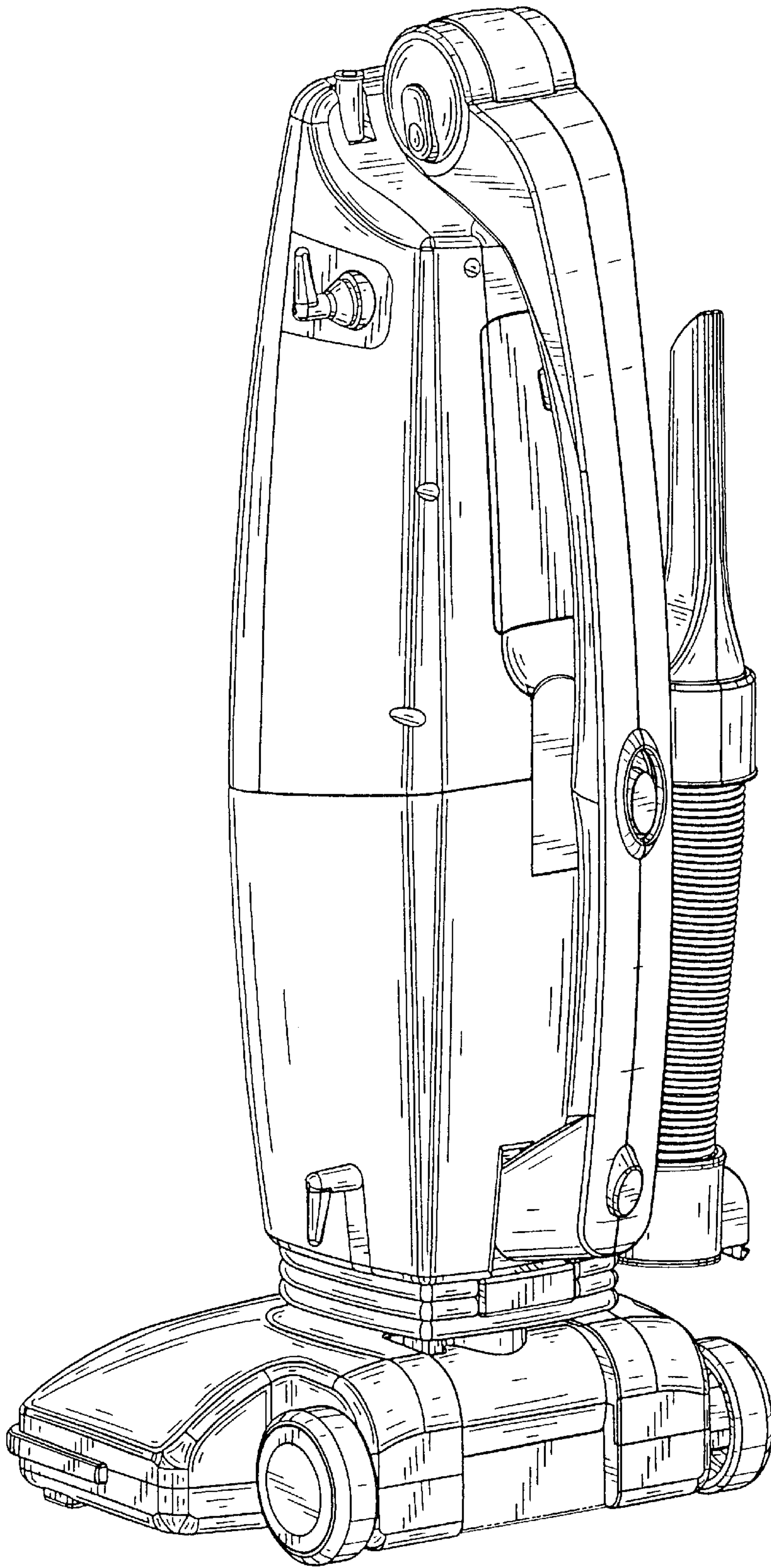


FIG. 9