



US00D456959S

(12) **United States Design Patent**
Simon

(10) **Patent No.:** **US D456,959 S**

(45) **Date of Patent:** **** May 7, 2002**

(54) **ROUND ANIMAL TOY**

(75) Inventor: **Allen Simon**, East Northport, NY (US)

(73) Assignee: **Four Paws Products, Ltd.**, Hauppauge, NY (US)

(**) Term: **14 Years**

(21) Appl. No.: **29/133,272**

(22) Filed: **Nov. 27, 2000**

(51) **LOC (7) Cl.** **30-99**

(52) **U.S. Cl.** **D30/160**

(58) **Field of Search** D30/162; 119/702,
119/706-711; 446/569; D21/713, 476, 576,
578, 587, 604, 617, 656, 621, 622, 624;
473/571, 614, 569, 612

(56) **References Cited**

U.S. PATENT DOCUMENTS

| | | | | | |
|-------------|---|---------|--------------|-------|---------|
| 1,150,761 A | * | 8/1915 | Hartman | | 473/614 |
| D214,928 S | * | 8/1969 | Swett et al. | | D30/160 |
| D287,988 S | * | 1/1987 | Billinghurst | | D21/713 |
| D314,455 S | * | 2/1991 | Morton | | D30/160 |
| 5,020,438 A | * | 6/1991 | Brown | | 473/614 |
| 5,351,650 A | * | 10/1994 | Graves | | 119/707 |

| | | | | | |
|--------------|---|---------|----------------|-------|---------|
| 5,480,143 A | * | 1/1996 | McMurry | | 473/571 |
| 5,800,244 A | * | 9/1998 | Barton, Jr. | | 473/569 |
| 5,819,690 A | * | 10/1998 | Brown | | 119/707 |
| D408,482 S | * | 4/1999 | Morrison | | D21/708 |
| 5,924,908 A | * | 7/1999 | O'Heir | | 119/707 |
| D424,256 S | * | 5/2000 | Lindgren | | D30/160 |
| 6,158,390 A | * | 12/2000 | Holtier et al. | | 119/707 |
| 6,237,538 B1 | * | 5/2001 | Tsengas | | 119/707 |

* cited by examiner

Primary Examiner—Cathy Anne MacCormac

(74) *Attorney, Agent, or Firm*—Darby & Darby

(57) **CLAIM**

The ornamental design for a round animal toy, as shown and described.

DESCRIPTION

FIG. 1 is a top front perspective view of my new round animal toy;
FIG. 2 is a front elevation of the round animal toy;
FIG. 3 is a right side elevation of the round animal toy;
FIG. 4 is a rear elevation of the round animal toy;
FIG. 5 is a left side elevation of the round animal toy;
FIG. 6 is a top plan view of the round animal toy; and,
FIG. 7 is a bottom plan view of the round animal toy.

1 Claim, 3 Drawing Sheets

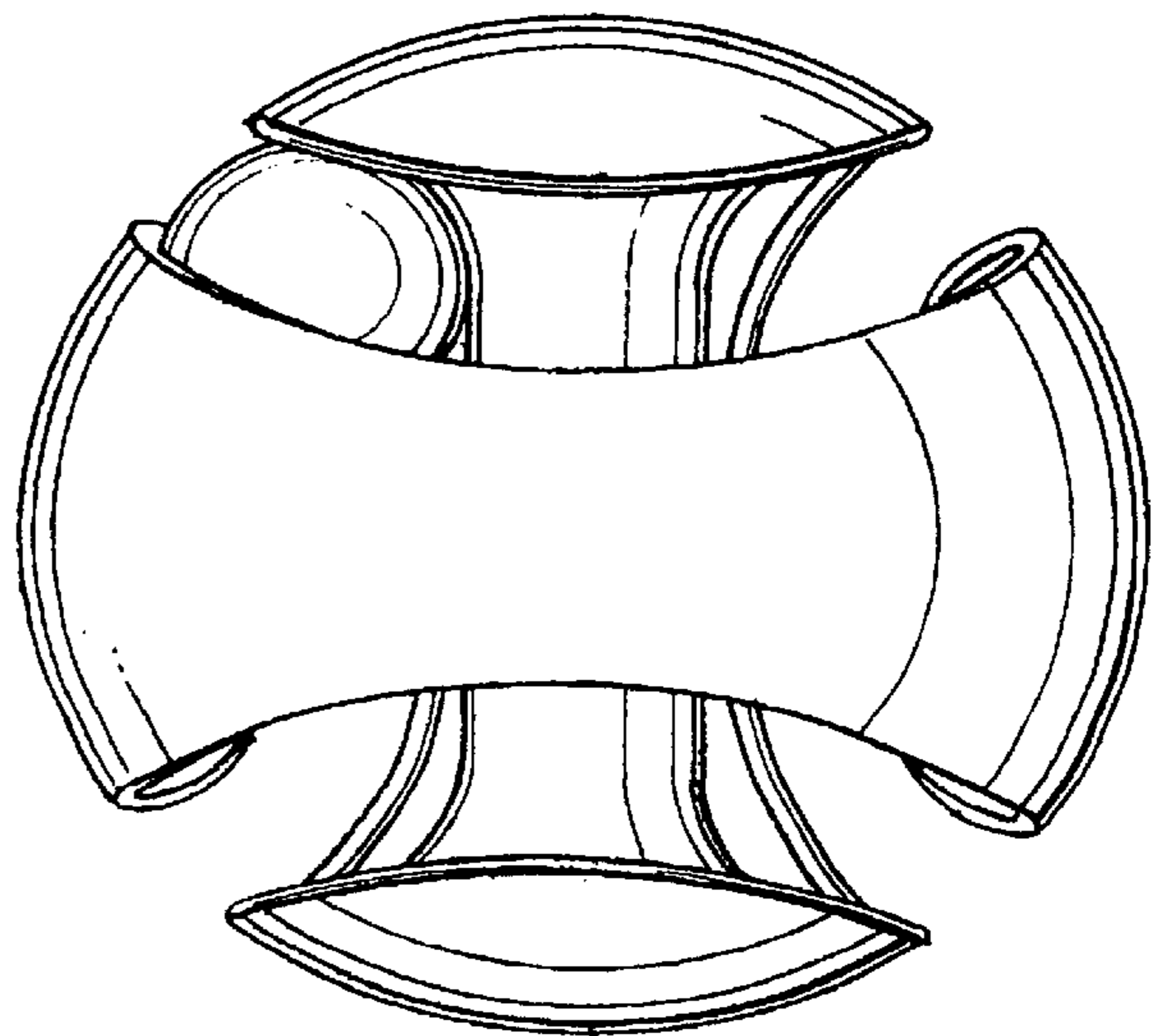
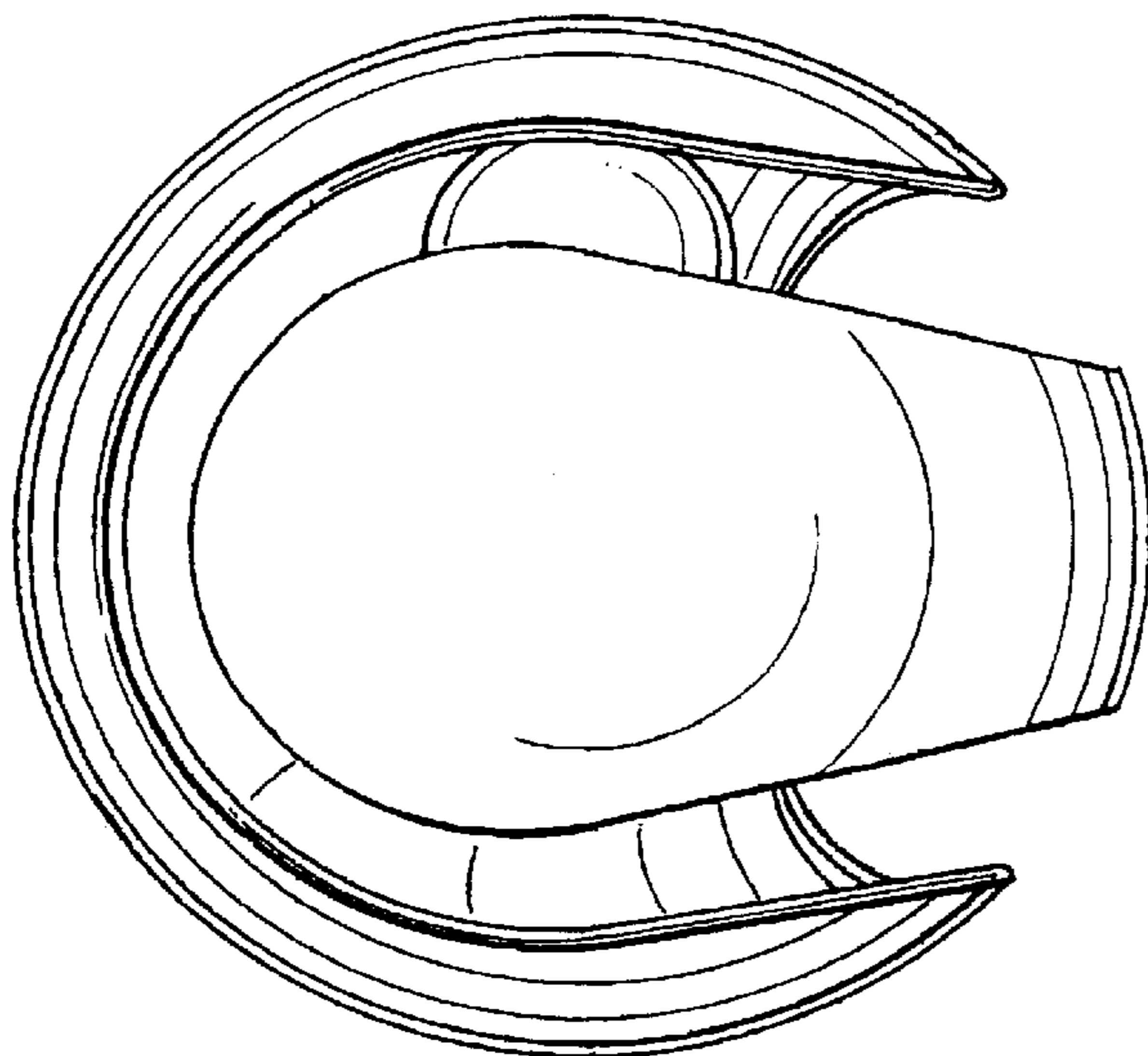


FIG. 1

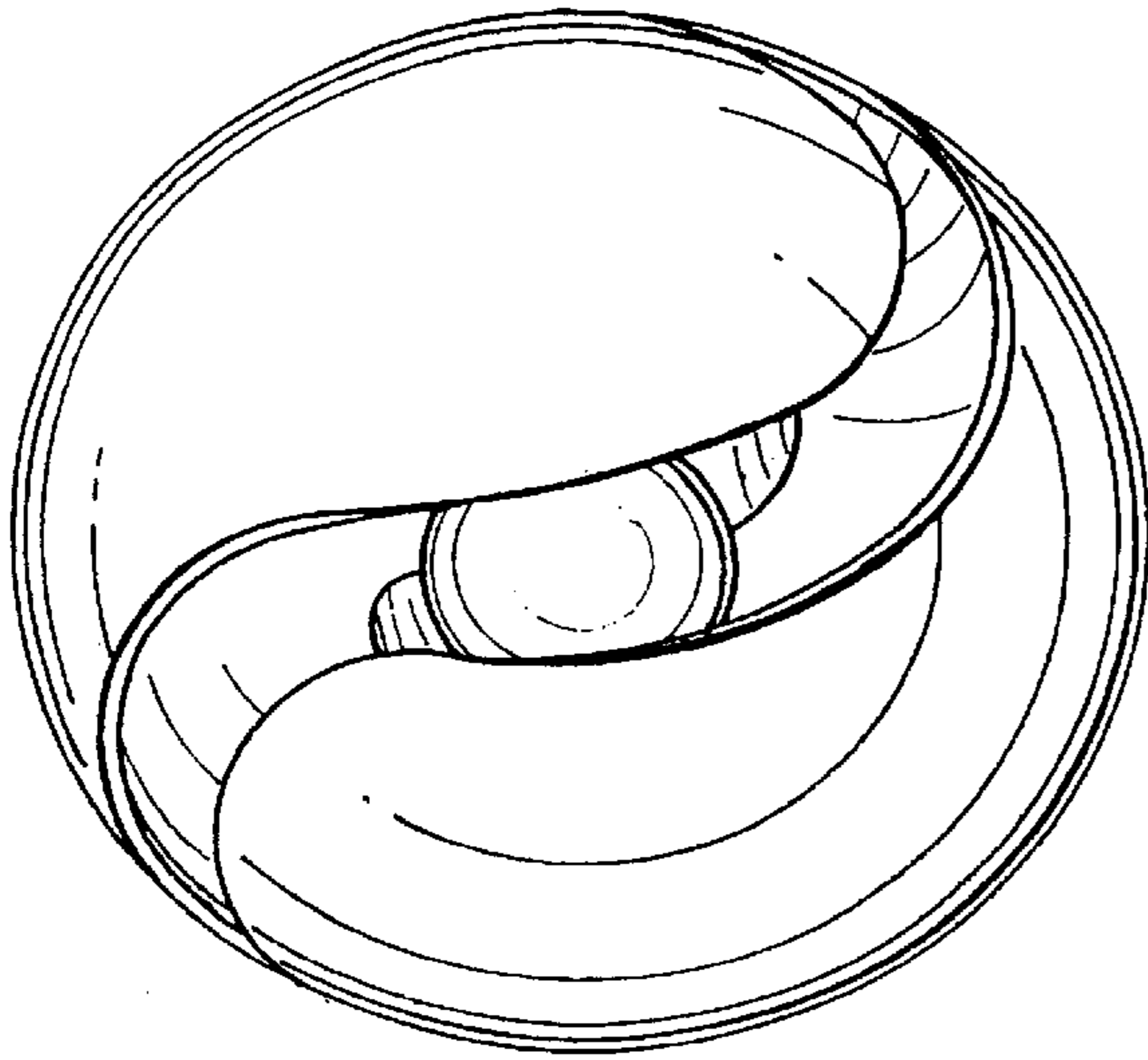


FIG. 2

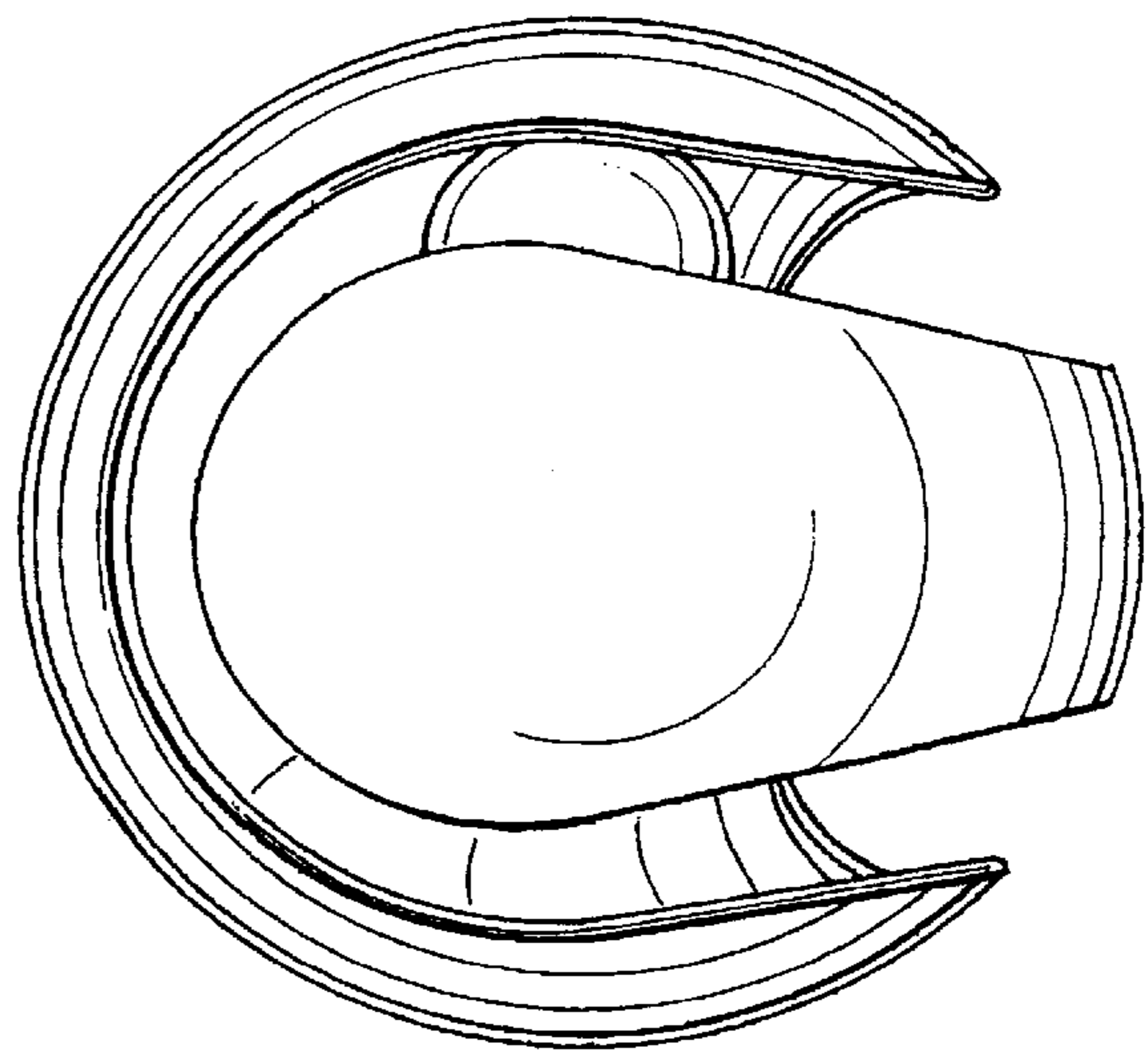
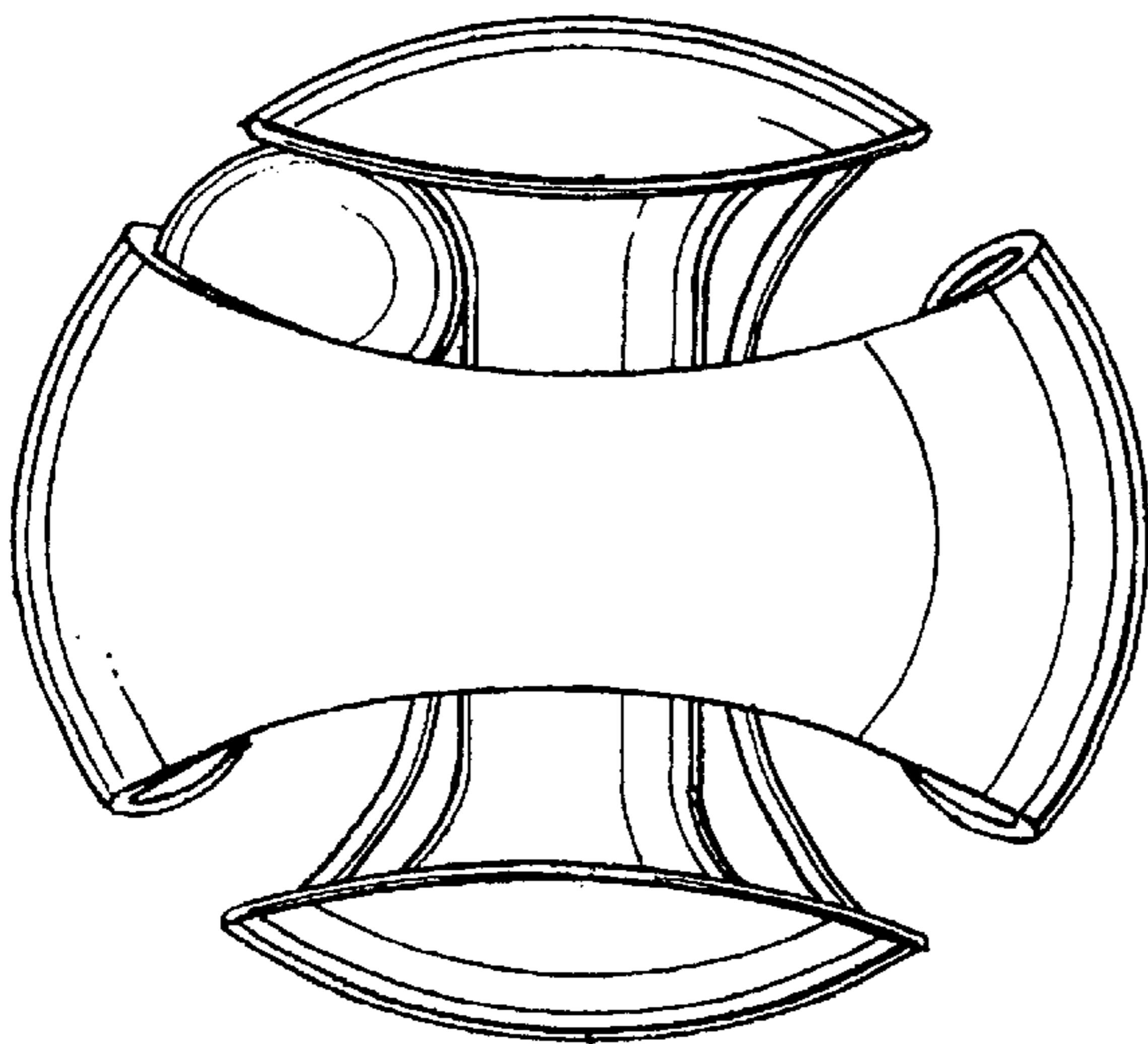


FIG. 3



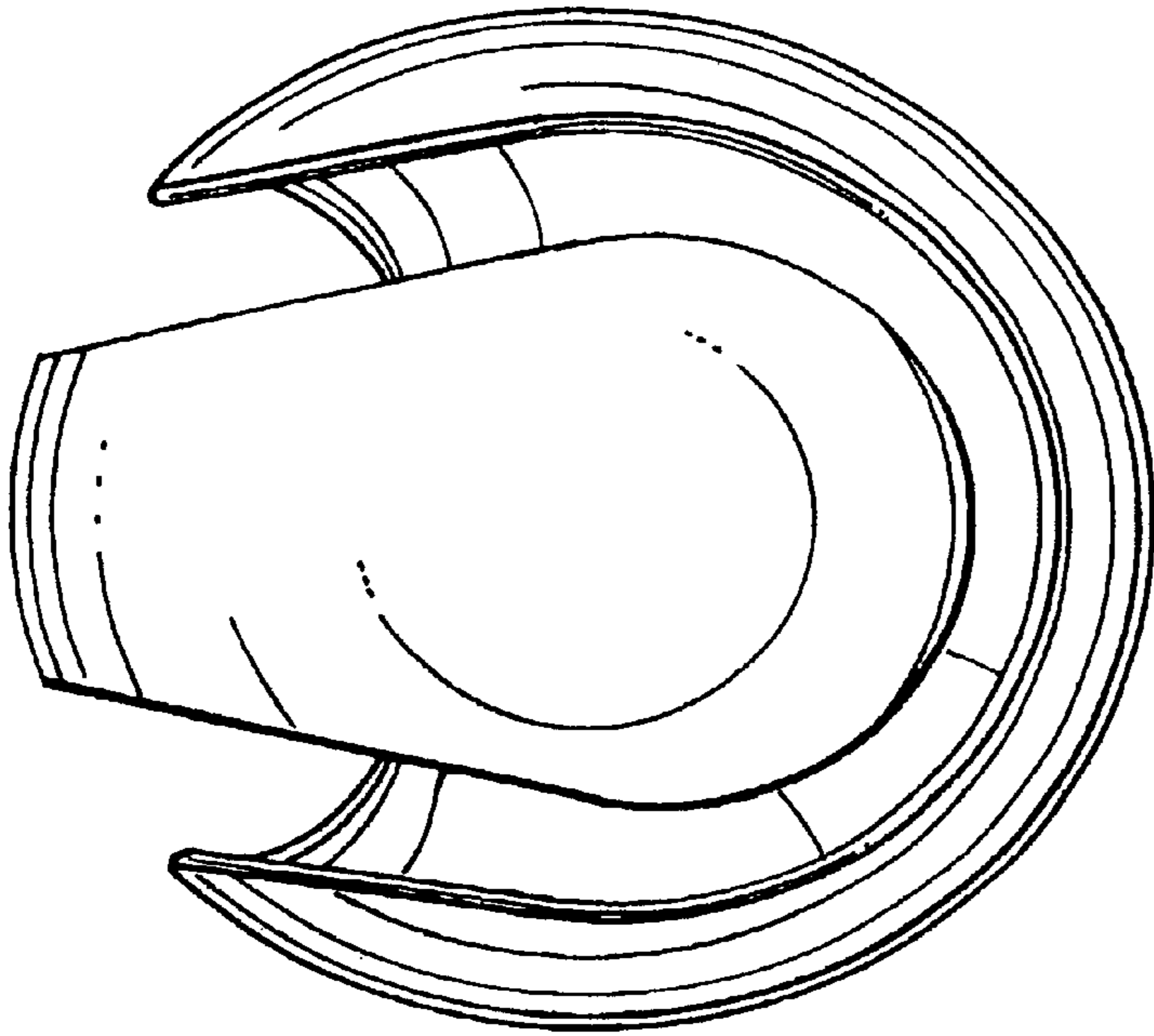
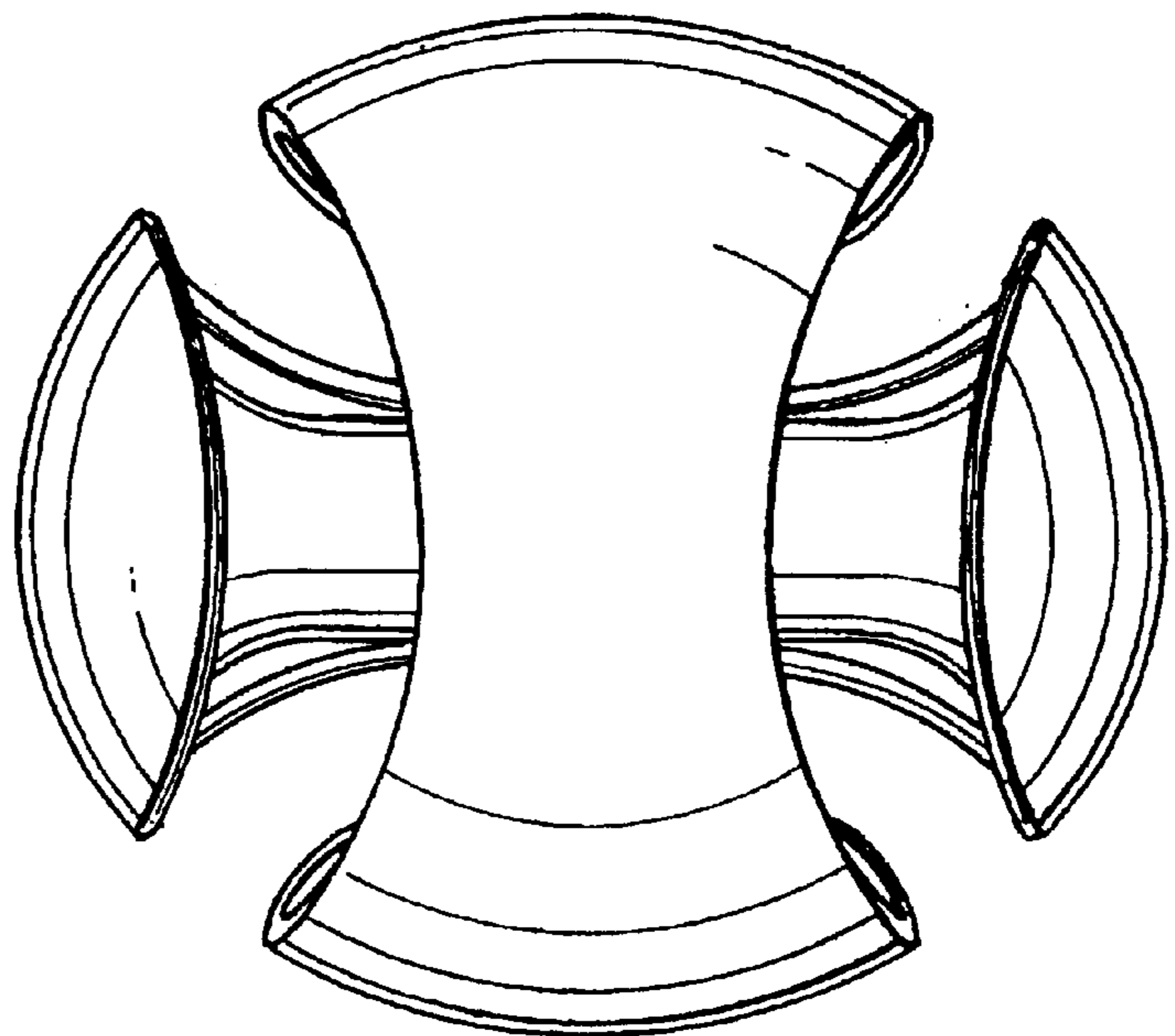


FIG. 4

FIG. 5



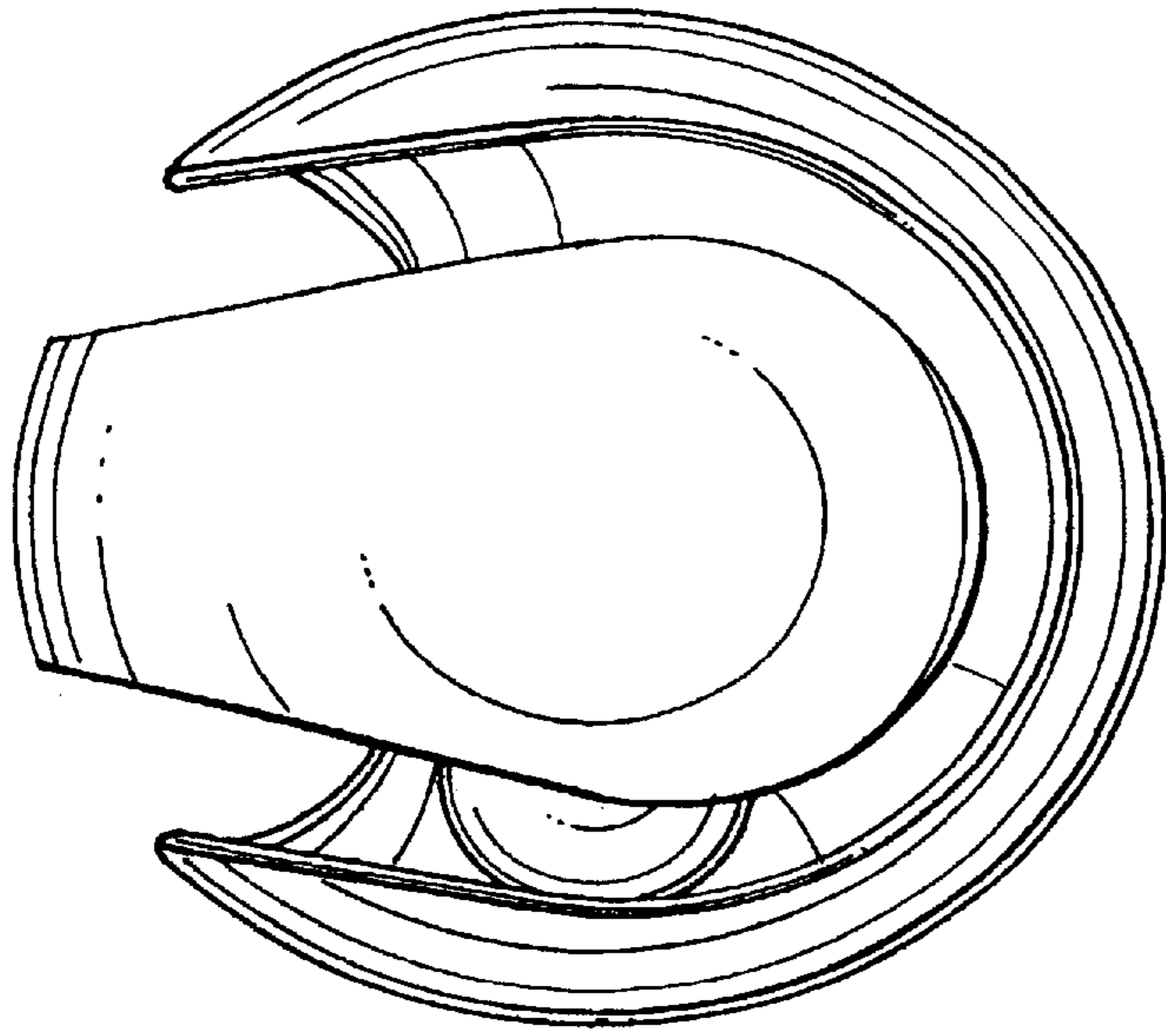


FIG. 6

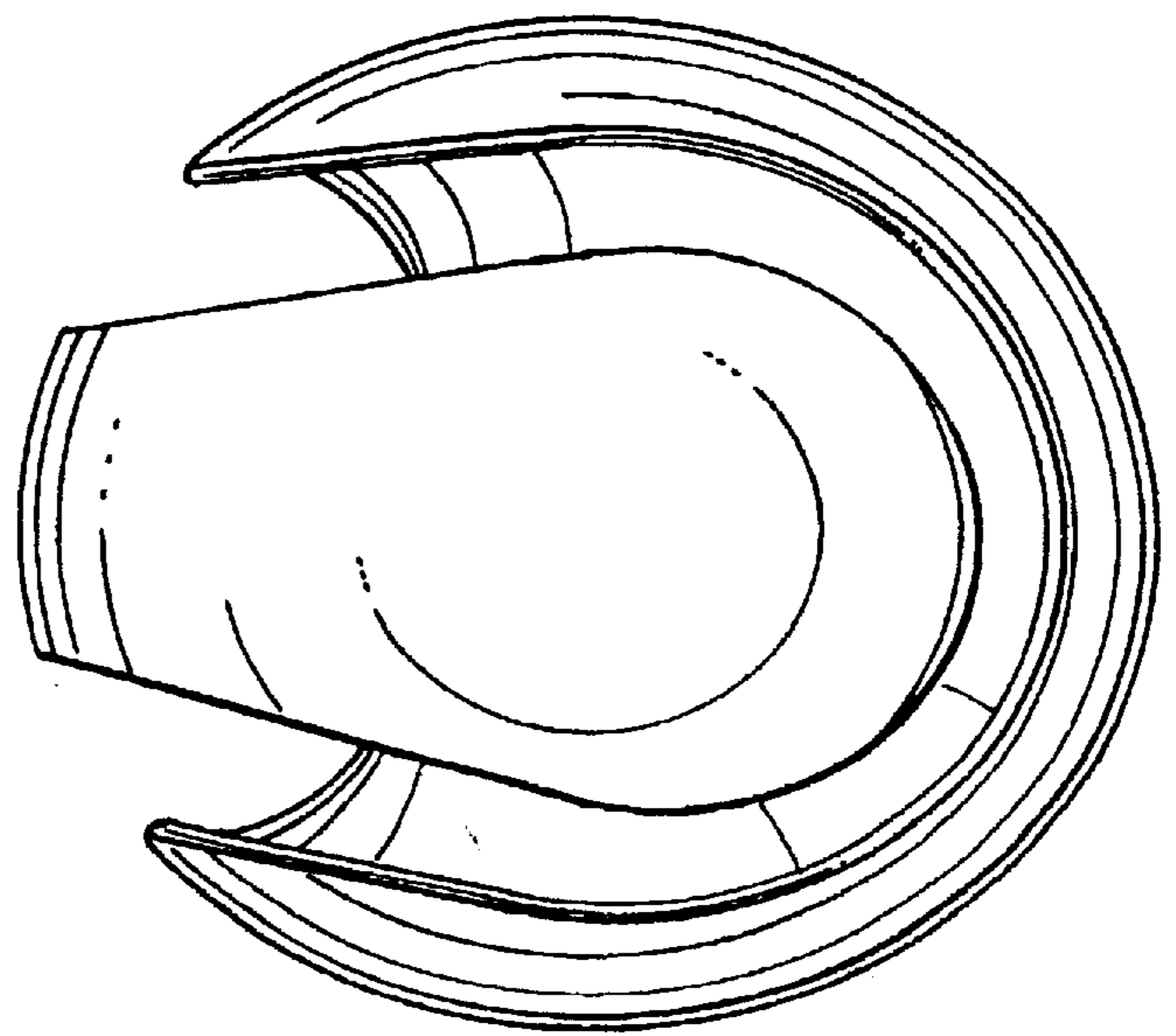


FIG. 7