



US00D456954S

(12) **United States Design Patent**
Restrepo

(10) **Patent No.:** **US D456,954 S**

(45) **Date of Patent:** **** May 7, 2002**

(54) **MAKE-UP PACKAGING**

(75) Inventor: **Federico Restrepo**, Paris (FR)

(73) Assignee: **Qualipac** (FR)

(**) Term: **14 Years**

(21) Appl. No.: **29/137,868**

(22) Filed: **Mar. 2, 2001**

(30) **Foreign Application Priority Data**

Oct. 6, 2000 (FR) 005815

(51) **LOC (7) Cl.** **28-03**

(52) **U.S. Cl.** **D28/83**

(58) **Field of Search** D28/76-91; D9/420-423;
132/286, 293-307, 314-318; 206/235, 581,
823, 385; 220/DIG. 26

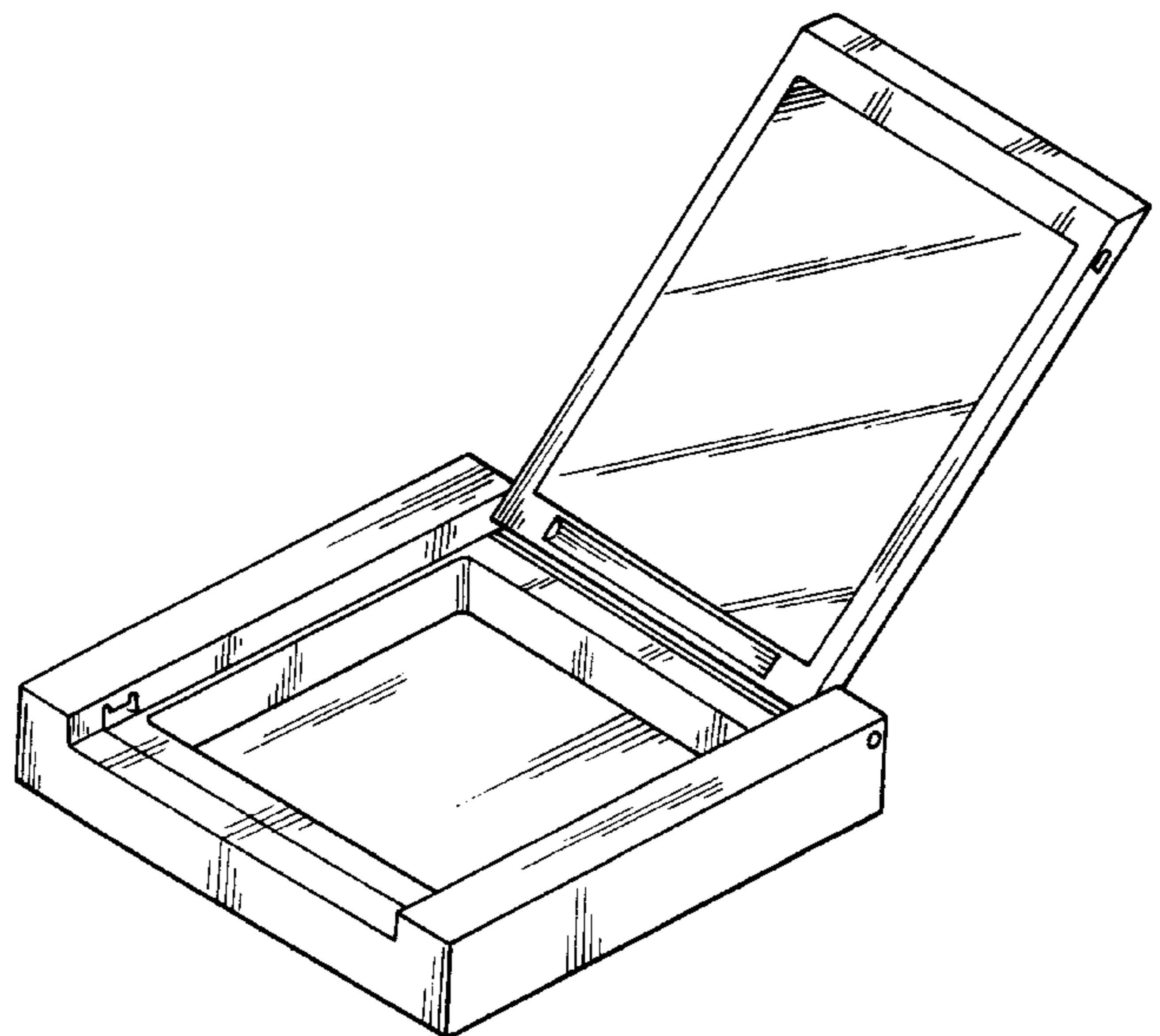
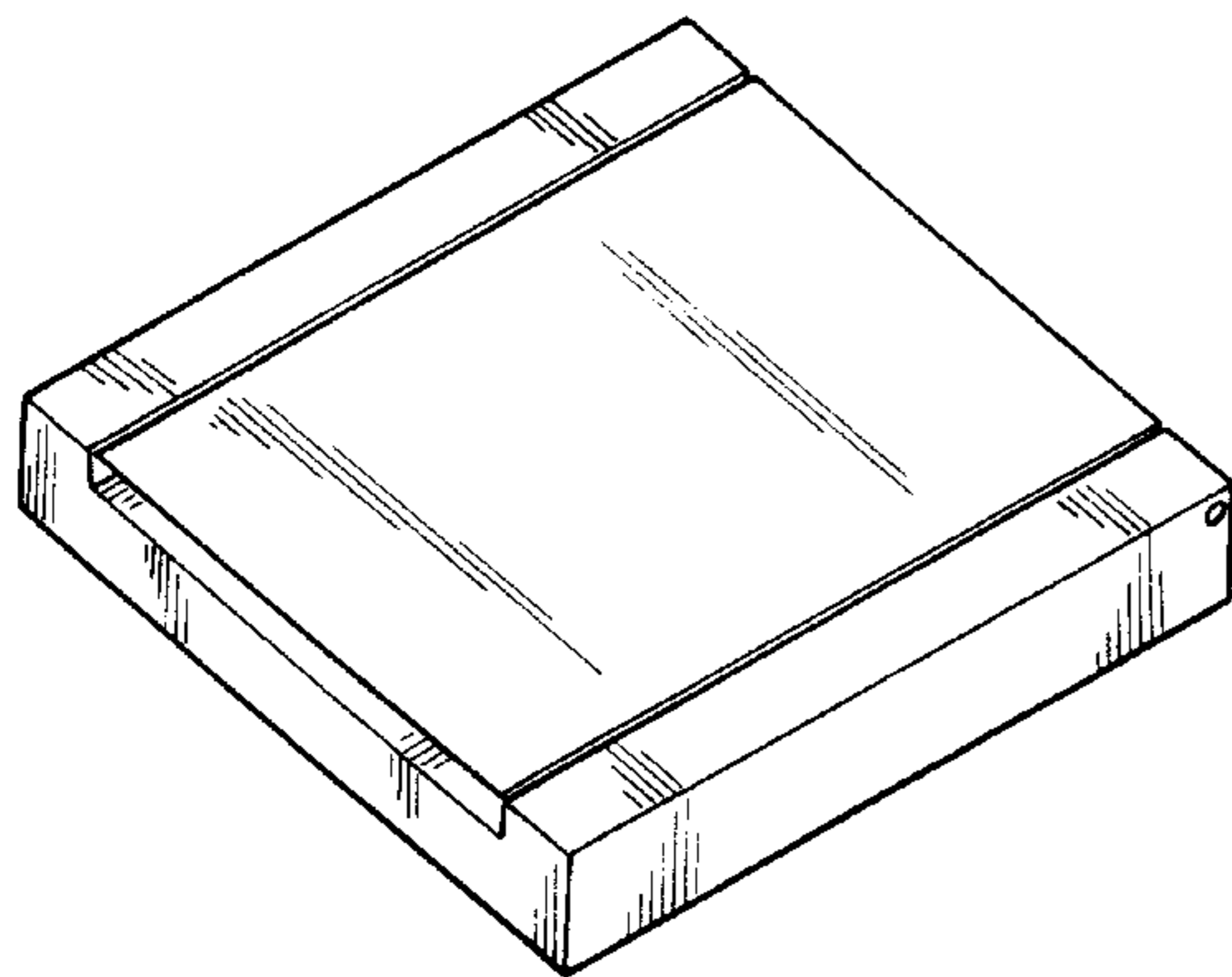
(56) **References Cited**

U.S. PATENT DOCUMENTS

- 2,393,568 A * 1/1946 Root 132/315 X
- D163,569 S * 6/1951 Christy D28/76
- 2,594,483 A * 4/1952 Naken 206/373 X
- D277,421 S * 1/1985 Bakic D28/83
- 4,580,586 A * 4/1986 Kitoh et al. 132/315

OTHER PUBLICATIONS

2 Photographs of Compact (1 substantially square dimension), one open lid and one closed lid, believed to be made or sold by Calvin Klein.



2 Photographs of Compact (1 rectangular dimension), one open lid and one closed lid, believed to be made or sold by Calvin Klein.

2 Photographs of Swing-Out Compact (Circular), one open and one closed, sold by applicant's assignee in or about 1996.

* cited by examiner

Primary Examiner—Ted Shooman

Assistant Examiner—C Tuttle

(74) *Attorney, Agent, or Firm*—Skinner & Associates

(57) **CLAIM**

The ornamental design for make-up packaging, as shown and described.

DESCRIPTION

FIG. 1 is a perspective view of the make-up packaging with a lid, showing the new design;
FIG. 2 is a front view thereof;
FIG. 3 is a back view thereof;
FIG. 4 is a right side view thereof;
FIG. 5 is a left side view thereof;
FIG. 6 is a top view thereof;
FIG. 7 is a bottom view thereof; and,
FIG. 8 is a perspective view thereof, and further showing the lid in an open position, FIGS. 1-7 showing the lid in a closed position.

The design is for make-up packaging. Embodiments of the design include a make-up compact with a lid which opens and closes, a compact with a portion which swings out and in, and a transparent lipstick case.

1 Claim, 8 Drawing Sheets

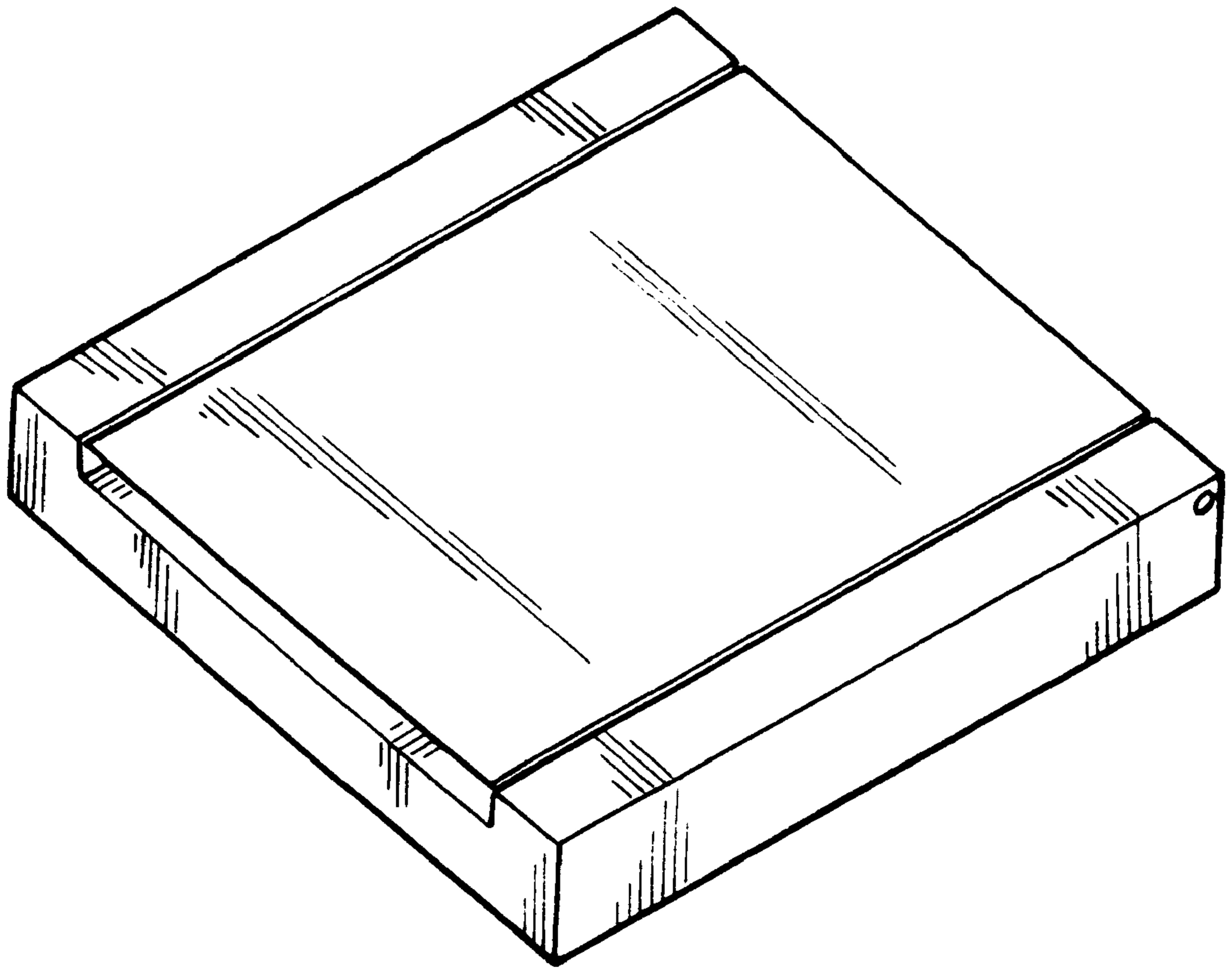


FIG. 1

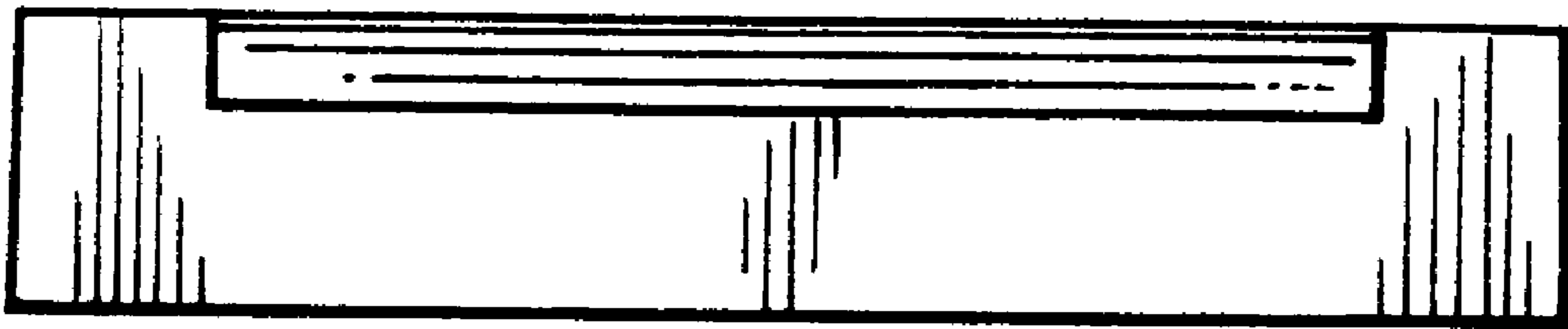


FIG. 2



FIG. 3

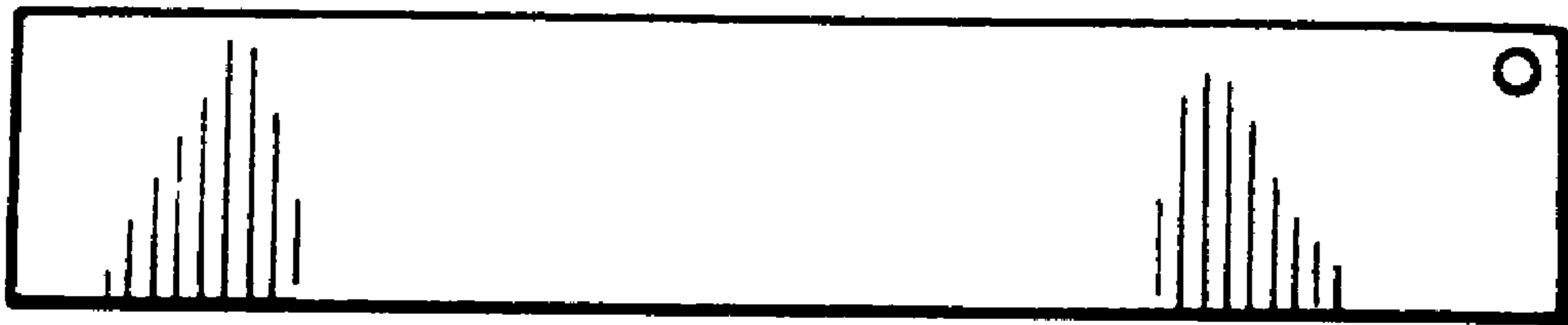


FIG. 4

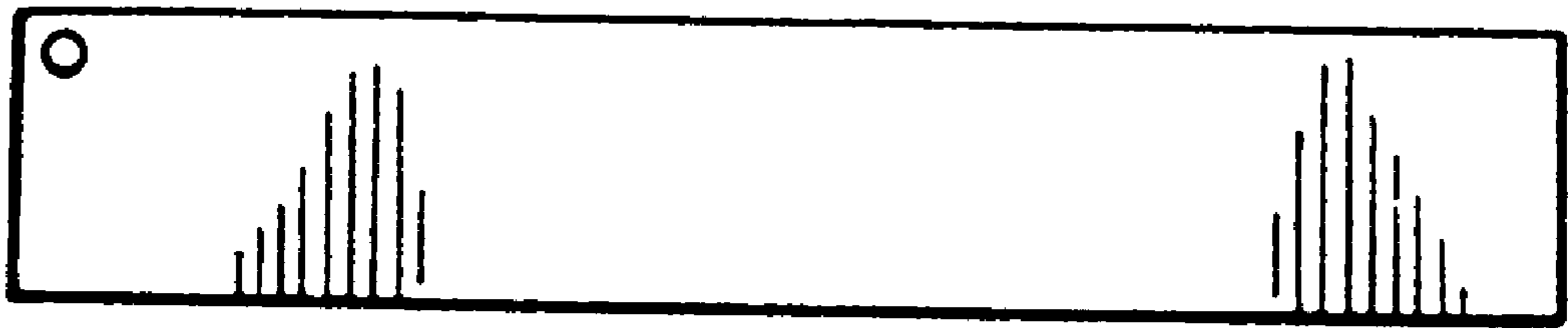


FIG. 5

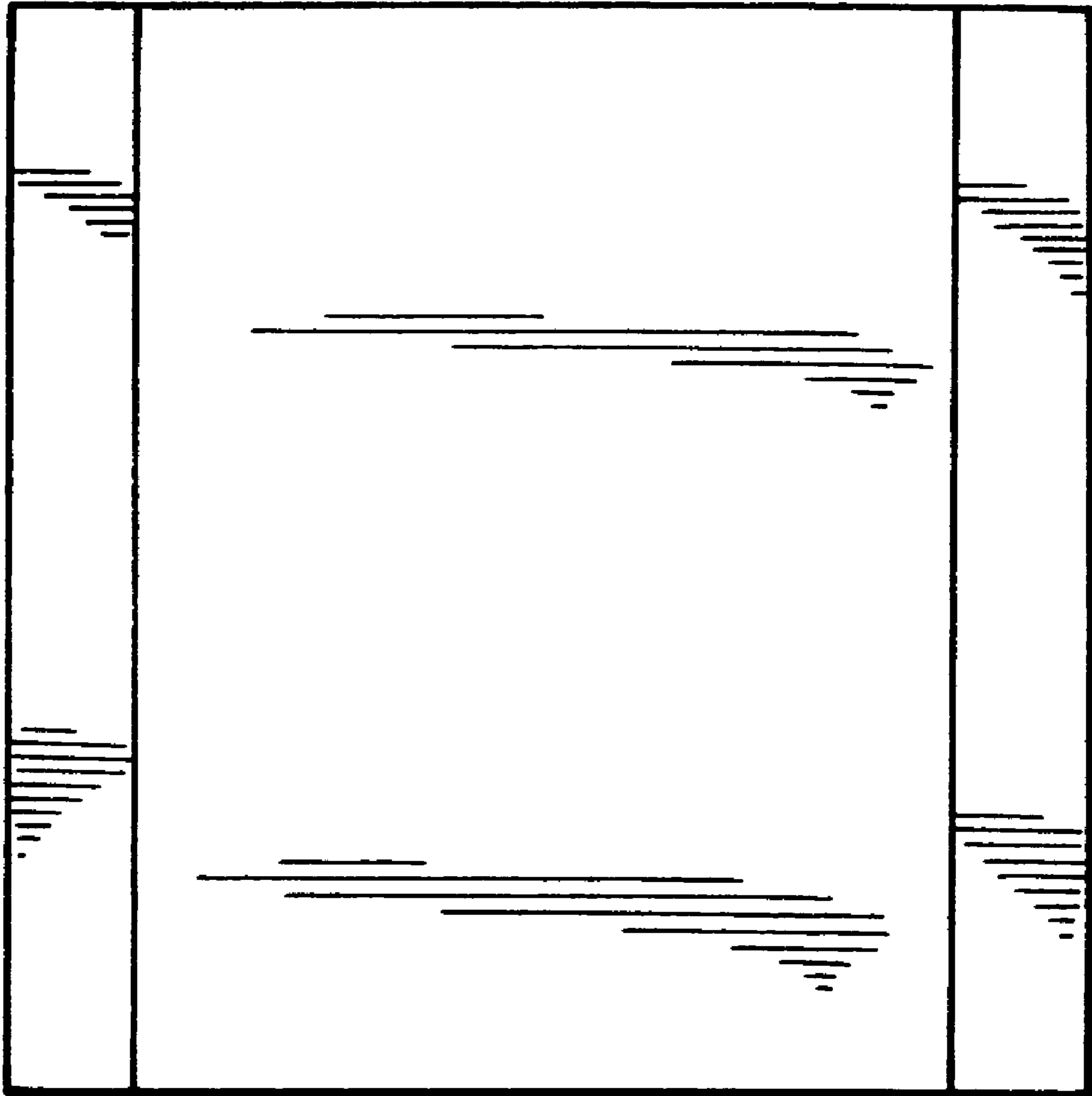


FIG. 6

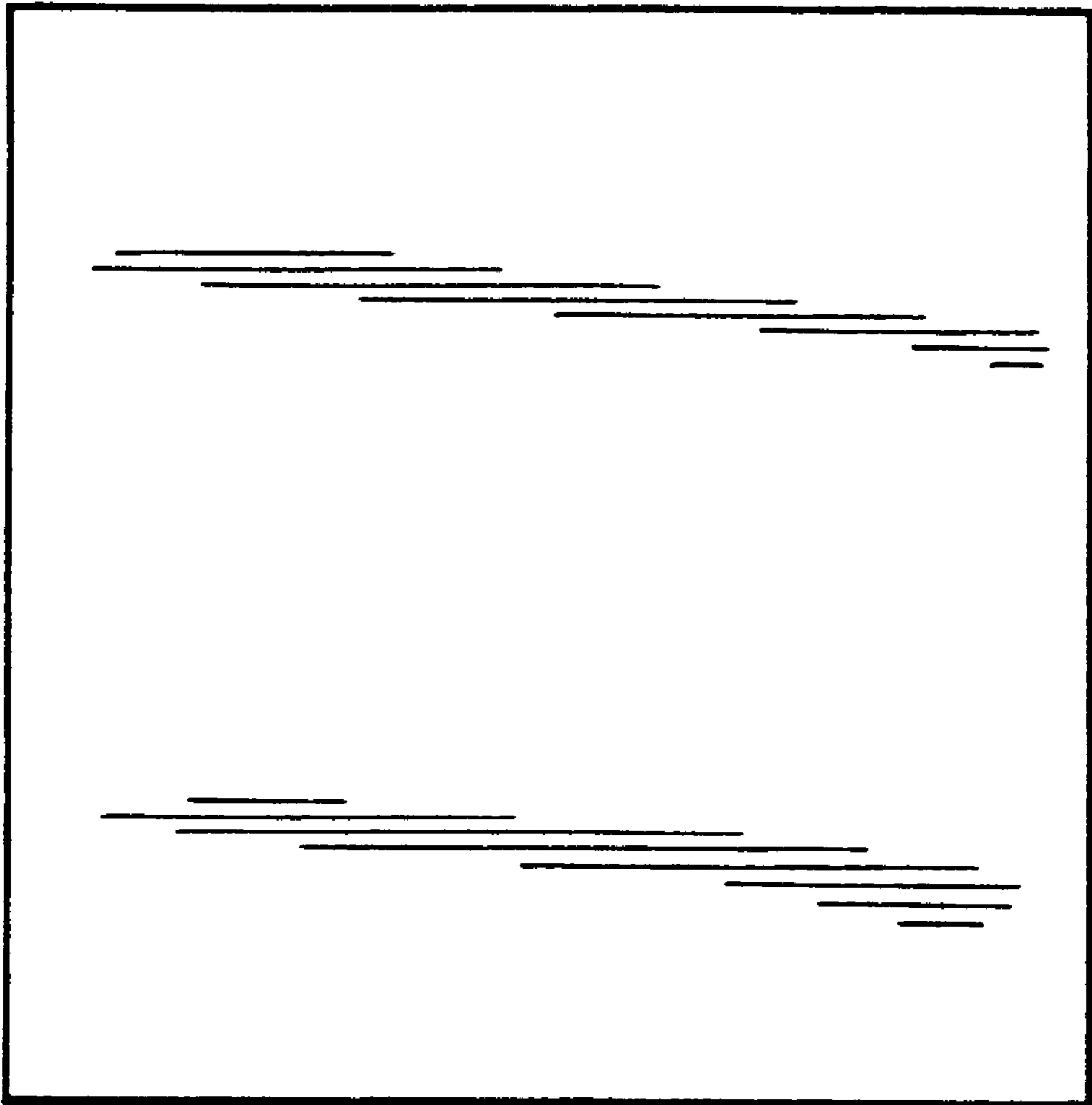


FIG. 7

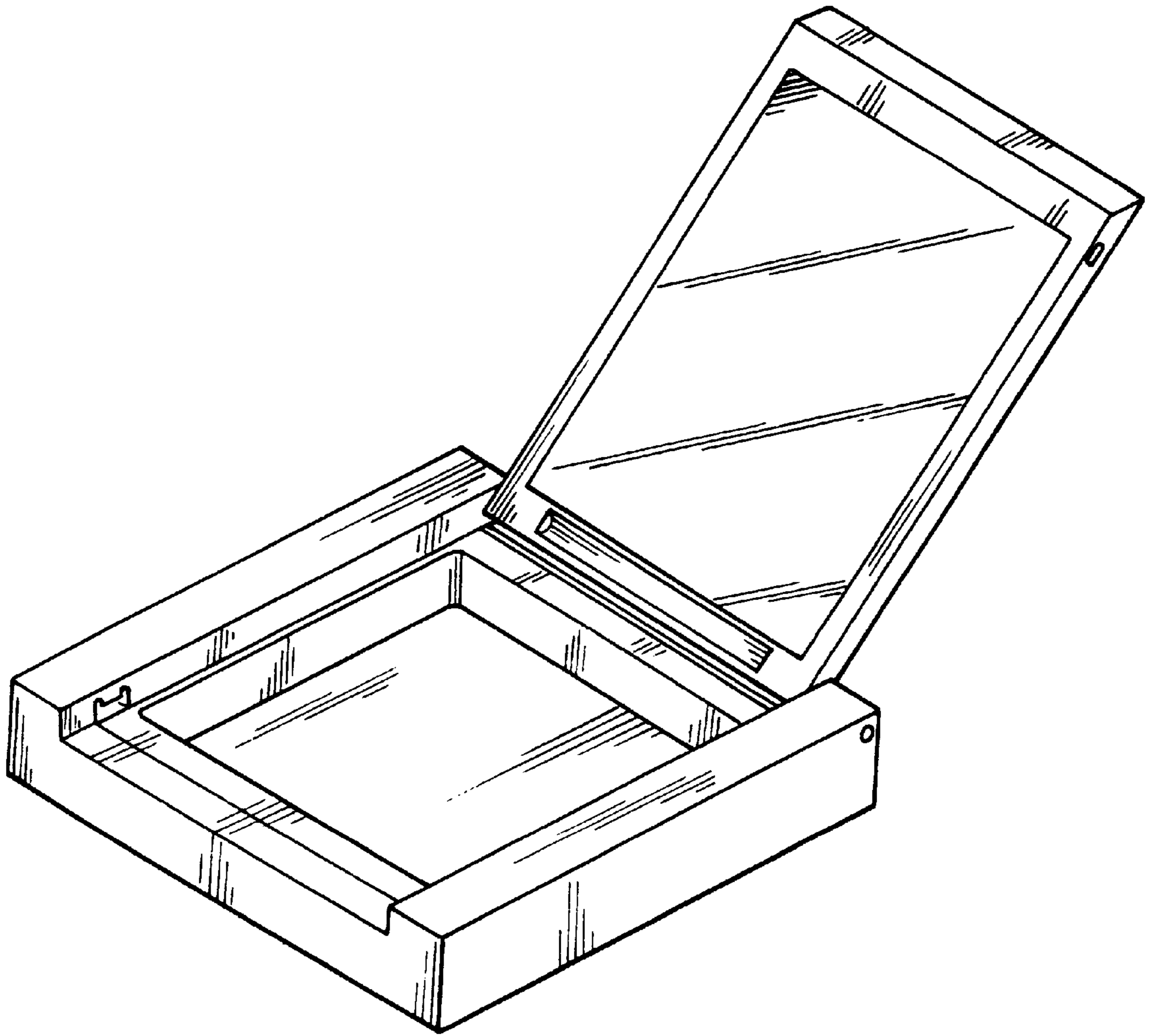


FIG. 8