



US00D456941S

(12) **United States Design Patent**  
**Gersten et al.**

(10) **Patent No.:** **US D456,941 S**

(45) **Date of Patent:** **\*\* May 7, 2002**

(54) **ANTIPERSPIRANT AND/OR DEODORANT PRODUCT**

(75) Inventors: **Iris Davis Gersten**, Gaithersburg;  
**Hermes van der Lee**, Ashton; **James L. Solan**, Rockville, all of MD (US)

(73) Assignee: **The Gillette Company**, Boston, MA (US)

(\*\*) Term: **14 Years**

(21) Appl. No.: **29/131,876**

(22) Filed: **Oct. 30, 2000**

(51) **LOC (7) Cl.** ..... **28-02**

(52) **U.S. Cl.** ..... **D28/4**

(58) **Field of Search** ..... D28/4, 7, 8.1, D28/76, 77; D9/337, 338, 520, 558, 414, 424; 132/317, 318, 320; 206/385, 581, 823; 401/6, 17, 35, 49-98, 170-182; 424/78.02, 78.03, 63-68, 401; 510/146

(56) **References Cited**

**U.S. PATENT DOCUMENTS**

D27,864 S	11/1897	Blackman	
692,481 A	2/1902	Robinson	
964,422 A *	7/1910	Hood	401/49
1,669,016 A *	5/1928	O'Neil	424/67
1,791,359 A *	2/1931	Henriksen	510/446
2,101,540 A	12/1937	Gullich	
2,165,420 A	7/1939	Siefert	
2,174,779 A	10/1939	Delorme	
2,980,083 A	1/1961	Bell	
3,294,692 A	12/1966	Kelly et al.	
3,479,429 A	11/1969	Morshauser et al.	
4,120,948 A	10/1978	Shelton	

(List continued on next page.)

**FOREIGN PATENT DOCUMENTS**

DE	199 21 183 A1	11/2000
FR	977194	3/1951
WO	WO 99/23998	5/1999

**OTHER PUBLICATIONS**

The Body Shop Skin & Hair Care Products catalog holiday edition c 1995; p. 16: makeup indicated by arrows.\*  
“bac deo-stick”, undated photos.

*Primary Examiner*—Ted Shooman

*Assistant Examiner*—C Tuttle

(74) *Attorney, Agent, or Firm*—Fish & Richardson P.C.

(57) **CLAIM**

The ornamental design for an antiperspirant and/or deodorant product, as shown and described.

**DESCRIPTION**

FIG. 1 is a perspective view of an antiperspirant and/or deodorant product showing the new design;

FIG. 2 is a top plan view of the antiperspirant and/or deodorant product of FIG. 1;

FIG. 3 is a front elevation view of the antiperspirant and/or deodorant product of FIG. 1, the rear elevation view being a mirror image thereof;

FIG. 4 is a side elevation view of the antiperspirant and/or deodorant product of FIG. 1, the other side elevation view being a mirror image thereof;

FIG. 5 is a perspective view of a second embodiment of the antiperspirant and/or deodorant product of FIG. 1; and,

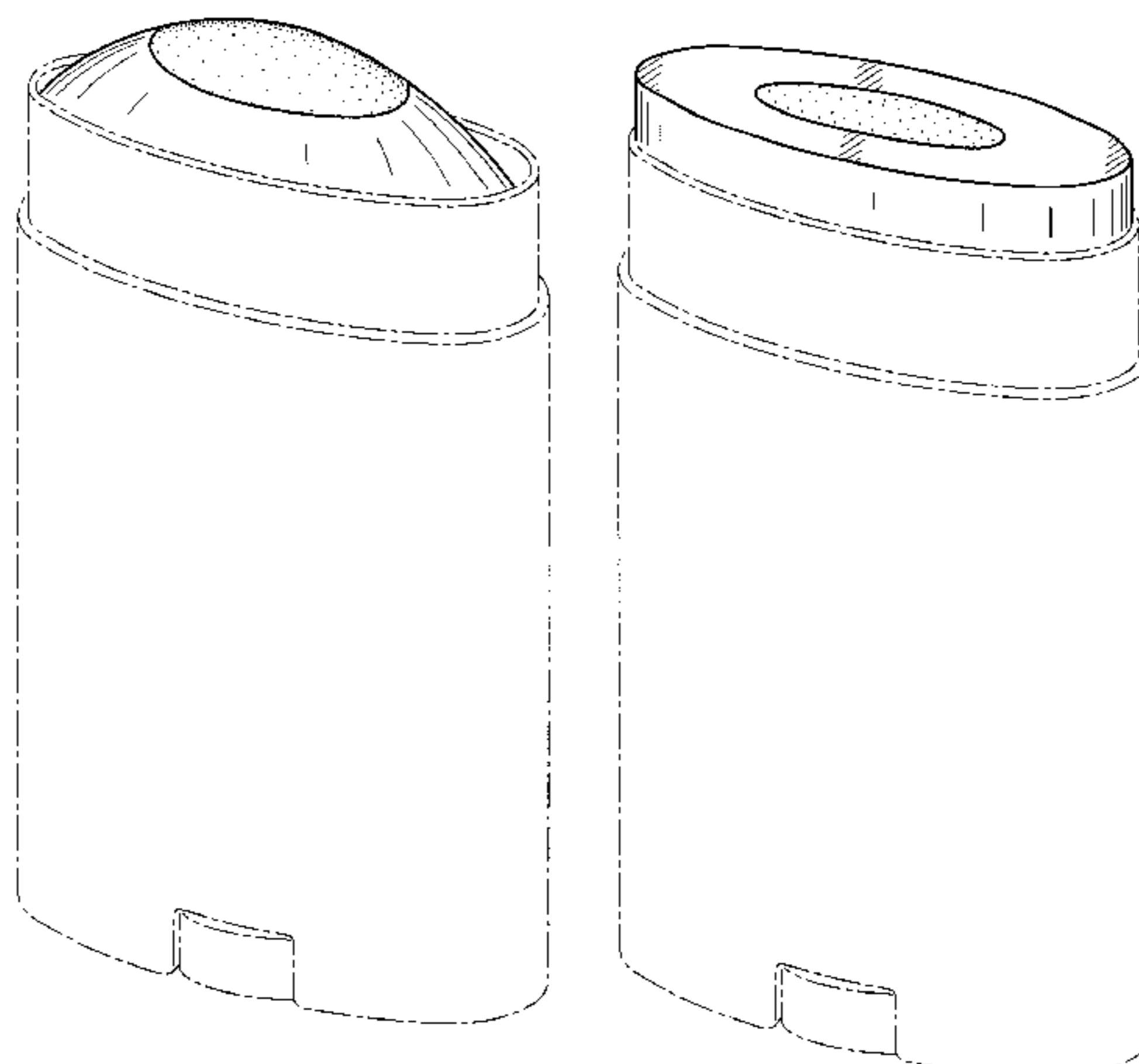
FIG. 6 is a top plan view of the antiperspirant and/or deodorant product of FIG. 5.

The broken line which defines the lower boundary of the claimed design forms no part thereof. The broken lines showing the container underlying the broken line boundary are for illustrative purposes only and form no part of the claimed design.

The stippling represents a surface having a color that contrasts with the color of the surface that does not include stippling.

The side opposite that shown in FIG. 5 continues the configuration and surface appearance of the side shown.

**1 Claim, 3 Drawing Sheets**



# US D456,941 S

Page 2

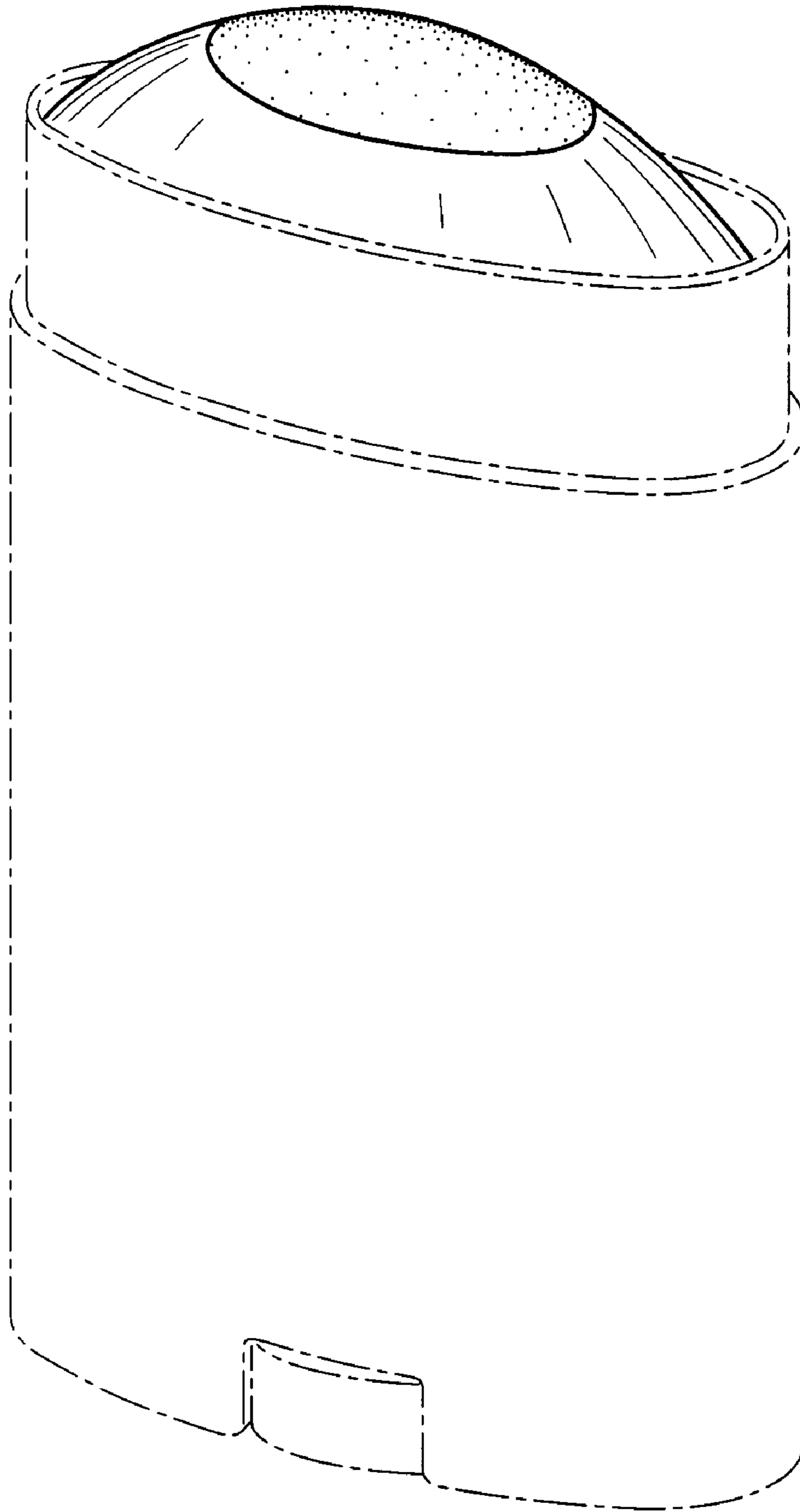
---

## U.S. PATENT DOCUMENTS

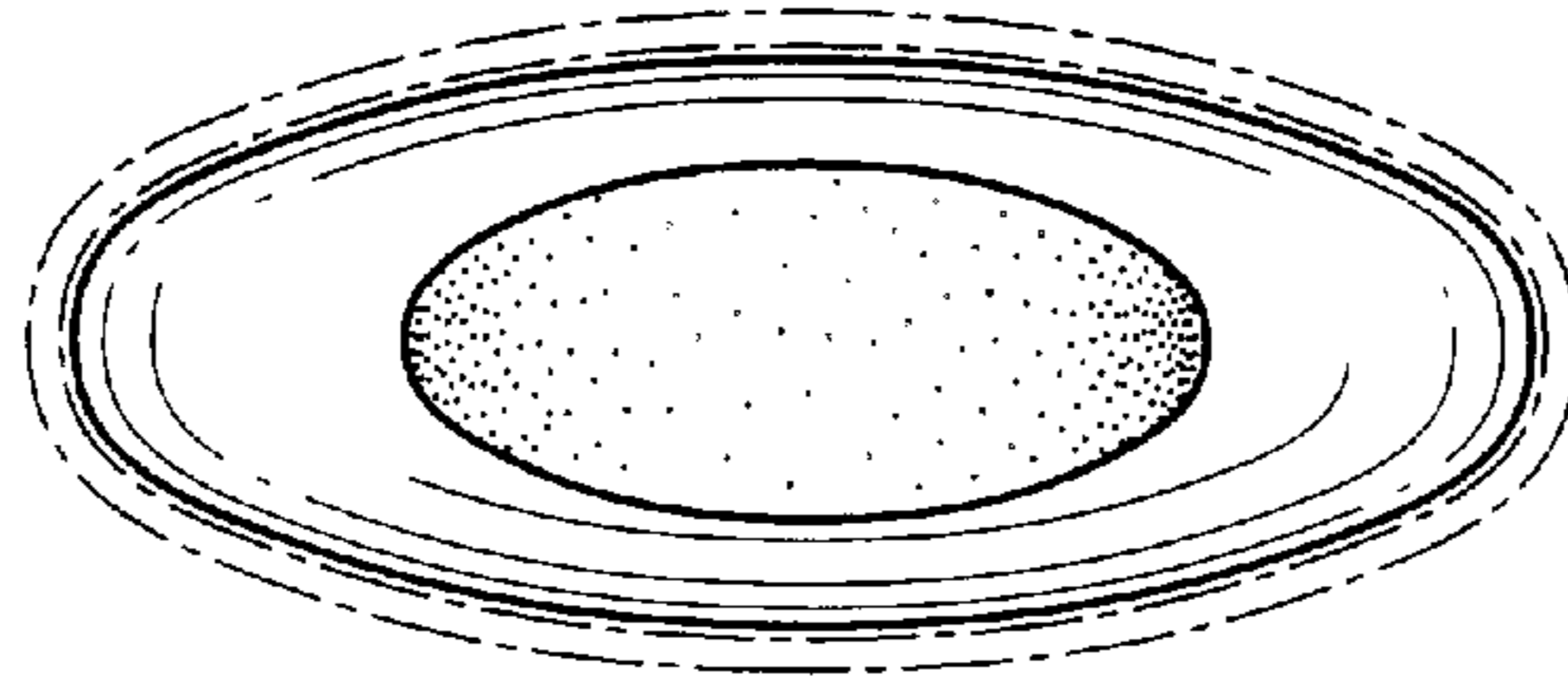
4,202,879 A	5/1980	Shelton	5,705,171 A	1/1998	Iovanni et al.
4,393,643 A	7/1983	Fryar et al.	5,759,974 A *	6/1998	Menke et al. .... 510/191
4,511,552 A	4/1985	Cox	5,965,501 A	10/1999	Rattinger
4,578,207 A	3/1986	Holdt et al.	D423,713 S *	4/2000	Szekely ..... D28/1
4,714,085 A	12/1987	Von Kleinsorgen	6,096,296 A *	8/2000	Alflen et al. .... 425/65
4,743,443 A	5/1988	Pisani et al.	D443,951 S	6/2001	Look
4,786,449 A	11/1988	Smit	D444,264 S	6/2001	Look
4,879,063 A	11/1989	Wood-Rethwill et al.	D444,593 S	7/2001	Look
5,217,639 A	6/1993	Mottola	D444,913 S	7/2001	Look
5,330,751 A	7/1994	Curtin et al.	D446,356 S	8/2001	Look
5,417,964 A	5/1995	Carlson, Sr. et al.	D446,606 S	8/2001	Look
5,538,161 A *	7/1996	Koehler et al. .... 222/46	D446,607 S	8/2001	Look
5,587,153 A	12/1996	Angelone, Jr. et al.			

\* cited by examiner

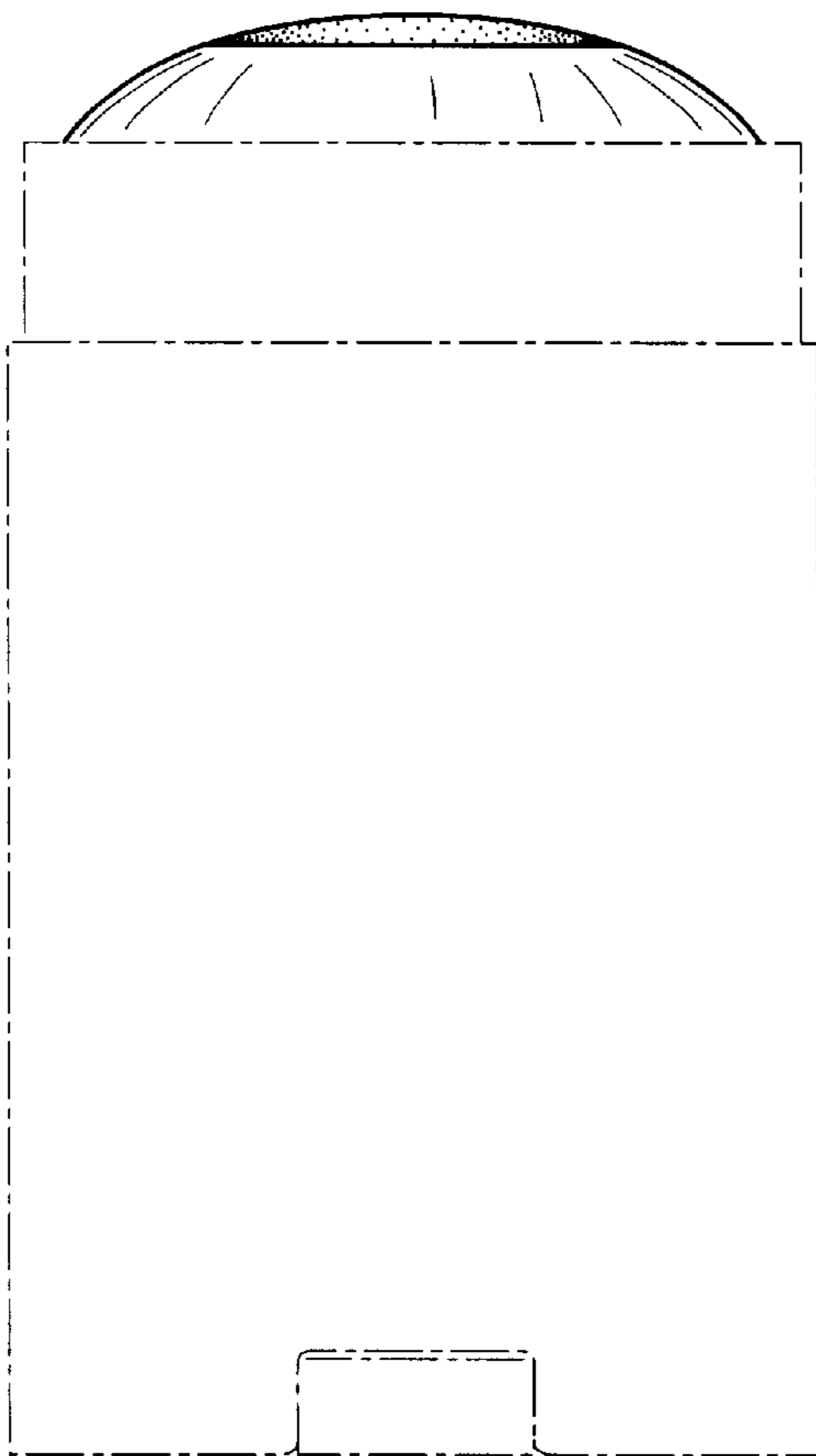
***FIG. 1***



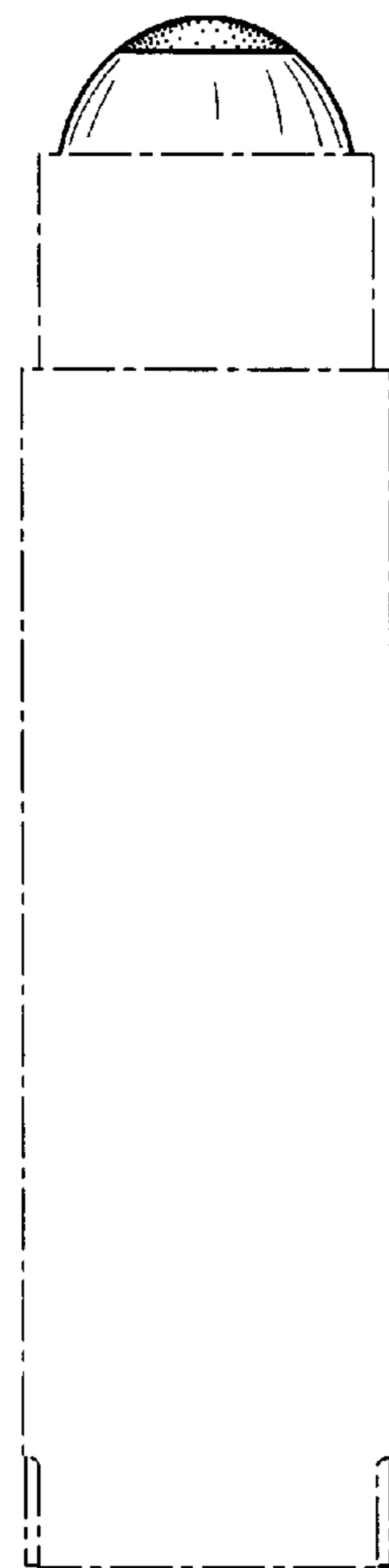
**FIG. 2**



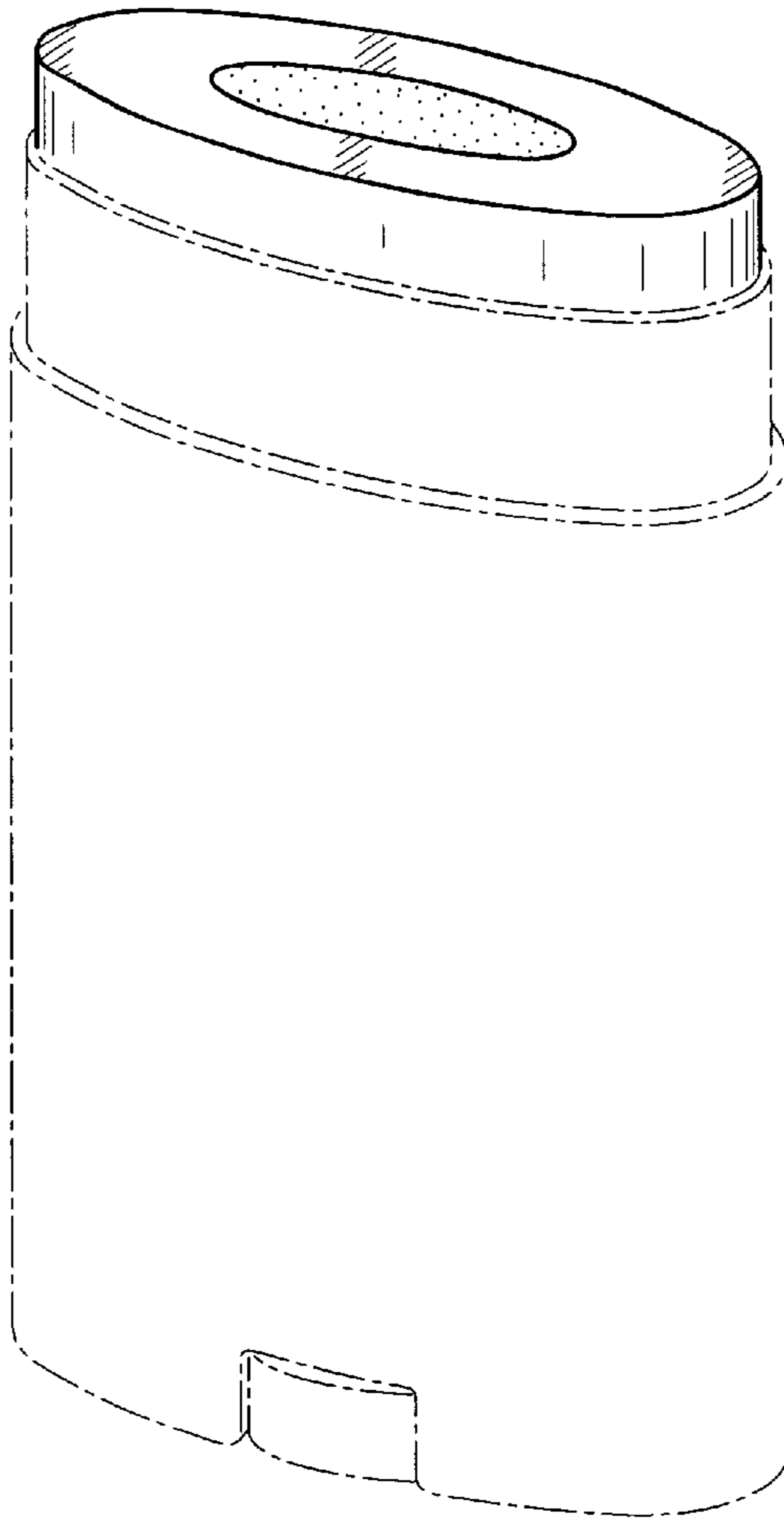
**FIG. 3**



**FIG. 4**



**FIG. 5**



**FIG. 6**

