



US00D456938S

(12) **United States Design Patent**
Wardenburg

(10) **Patent No.:** **US D456,938 S**

(45) **Date of Patent:** **** May 7, 2002**

- (54) **REFLECTIVE LIGHT HOUSING**
- (75) Inventor: **Peter Wardenburg**, Petaluma, CA (US)
- (73) Assignee: **Hydrofarm**, Petaluma, CA (US)
- (**) Term: **14 Years**
- (21) Appl. No.: **29/131,381**
- (22) Filed: **Oct. 19, 2000**
- (51) **LOC (7) Cl.** **26-99**
- (52) **U.S. Cl.** **D26/118; D26/24**
- (58) **Field of Search** **D26/24, 23, 28,**
D26/67, 68, 69, 71, 118, 87, 85, 91, 92;
362/431, 362, 153, 147, 145

- D415,304 S * 10/1999 Brown D26/87
- D418,626 S * 1/2000 Herst et al. D26/118
- D445,943 S * 7/2001 Littman D26/87

* cited by examiner

Primary Examiner—Cynthia E. Ramirez
(74) *Attorney, Agent, or Firm*—Johnson & Stainbrook, LLP; Larry D. Johnson; Craig M. Stainbrook

(57) **CLAIM**

The ornamental design for a reflective light housing, as shown and described.

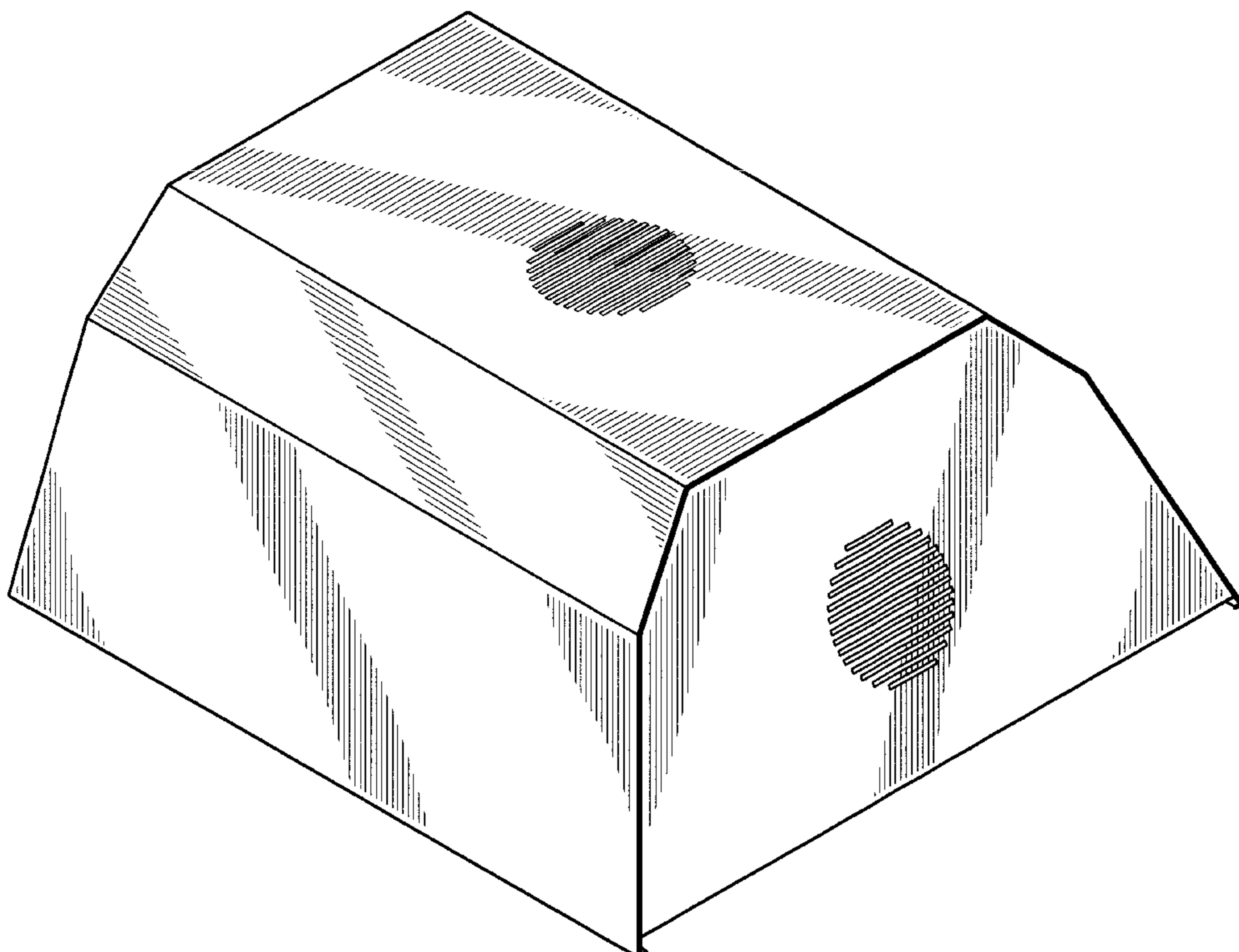
DESCRIPTION

FIG. 1 is an top left front perspective view of the reflective light housing of the present invention;
 FIG. 2 is a bottom left rear perspective view of the reflective light housing of FIG. 1;
 FIG. 3 is a front view in elevation of the reflective light housing of FIG. 1;
 FIG. 4 is a right side view in elevation, the left side being a mirror image thereof;
 FIG. 5 is a rear view in elevation of the reflective light housing of FIG. 1;
 FIG. 6 is a top plan view of the reflective light housing of FIG. 1;
 FIG. 7 is a bottom plan view of the reflective light housing;
 FIG. 8 is an enlarged cross-sectional view in elevation about the line 8—8 of FIG. 7; and,
 FIG. 9 is an enlarged cross-sectional view in elevation about the line 9—9 of FIG. 7.

(56) **References Cited**
U.S. PATENT DOCUMENTS

| | | | | | |
|------------|---|---------|-----------------|-------|--------|
| D330,438 S | * | 10/1992 | Herst et al. | | D26/85 |
| D334,821 S | * | 4/1993 | Morgan | | D26/28 |
| D348,533 S | * | 7/1994 | Herst et al. | | D26/85 |
| D348,534 S | * | 7/1994 | Herst et al. | | D26/85 |
| D349,357 S | * | 8/1994 | Herst et al. | | D26/85 |
| D349,358 S | * | 8/1994 | Herst et al. | | D26/85 |
| D352,126 S | * | 11/1994 | Ruud et al. | | D26/67 |
| D375,180 S | * | 10/1996 | Lyons | | D26/28 |
| D376,437 S | * | 12/1996 | Karlo et al. | | D26/28 |
| D397,470 S | * | 8/1998 | Bassford et al. | | D26/67 |
| D399,328 S | * | 10/1998 | Compton | | D26/72 |
| D407,838 S | * | 4/1999 | Compton | | D26/67 |
| D407,841 S | * | 4/1999 | Compton | | D26/67 |
| D408,093 S | * | 4/1999 | Compton | | D26/67 |

1 Claim, 7 Drawing Sheets



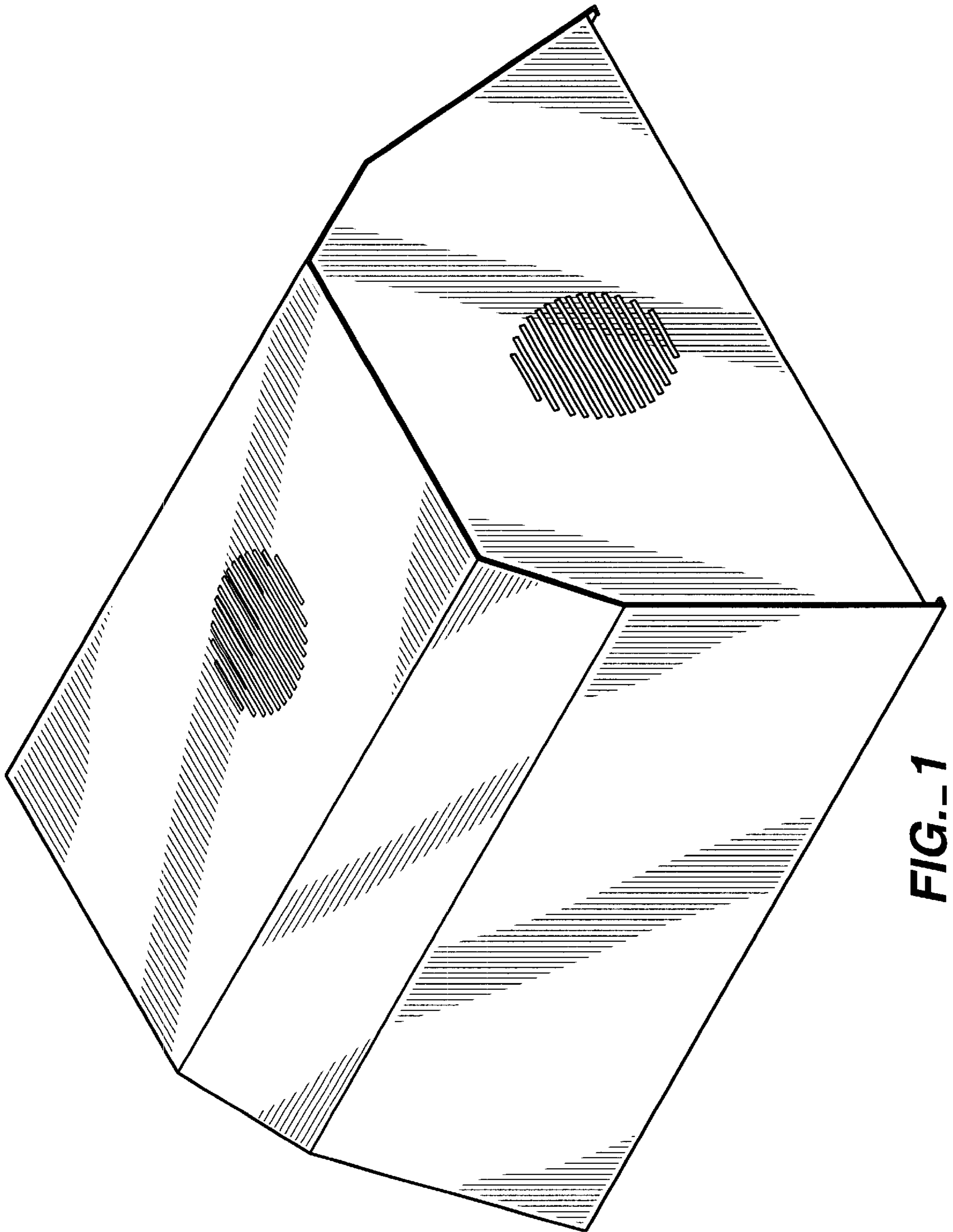


FIG.-1

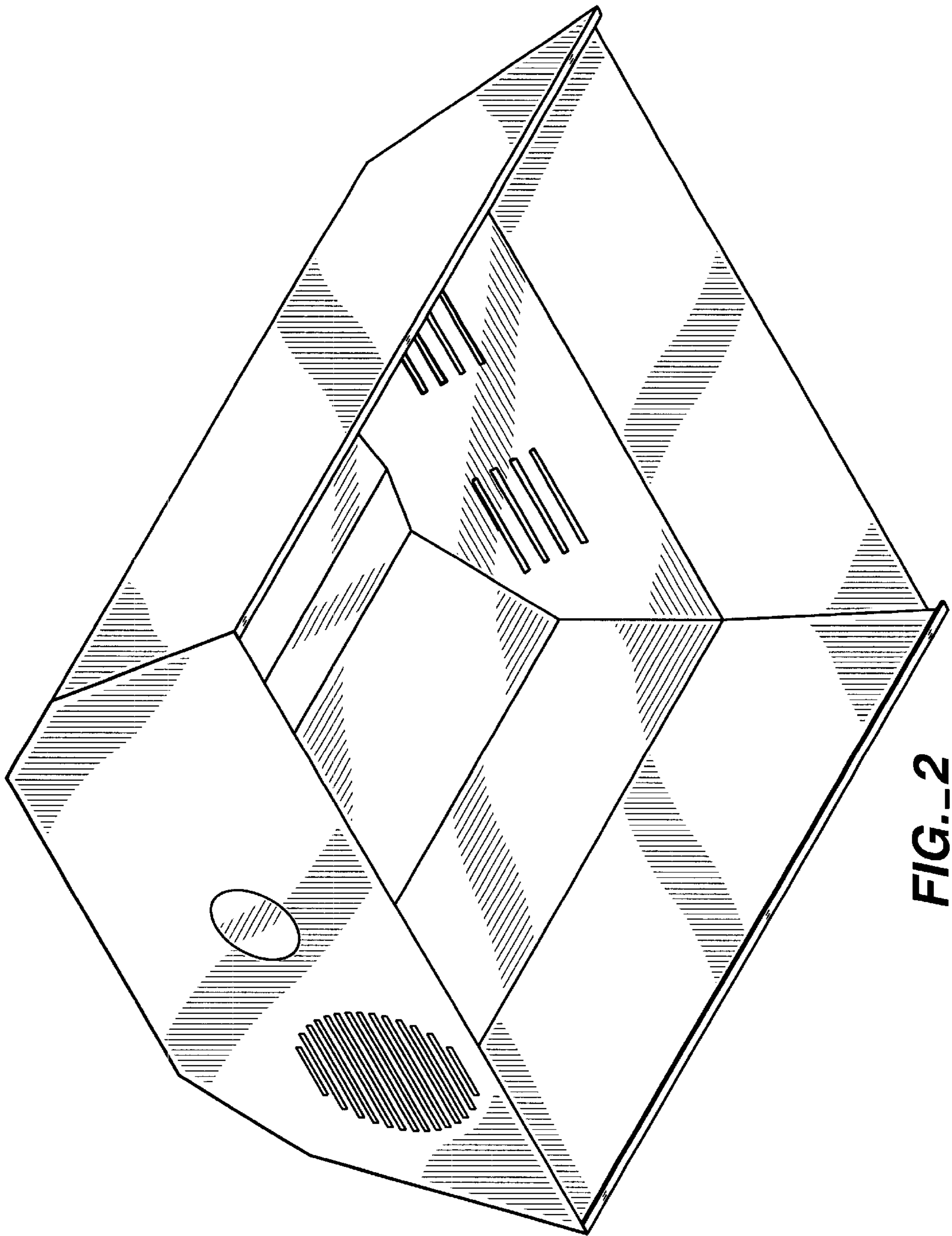


FIG.-2

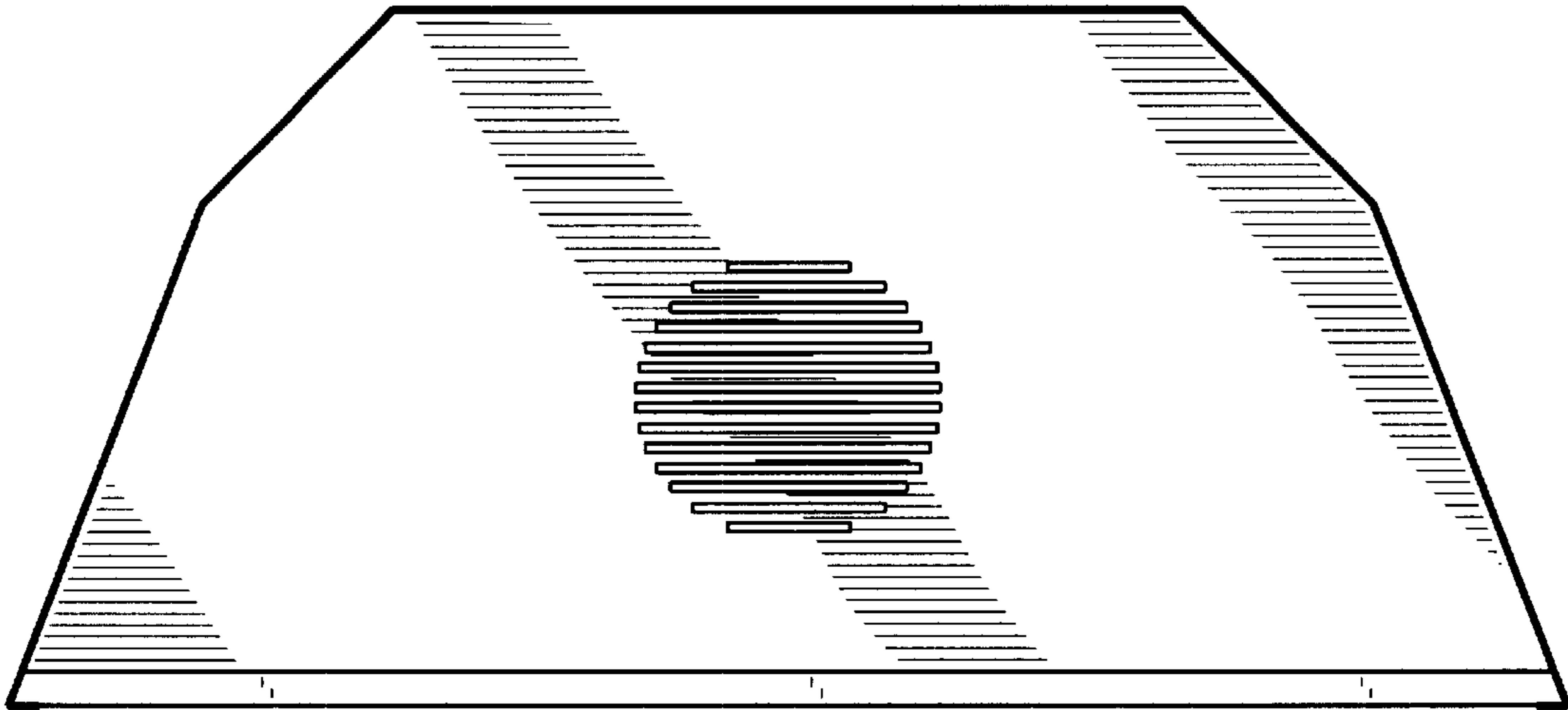


FIG._3

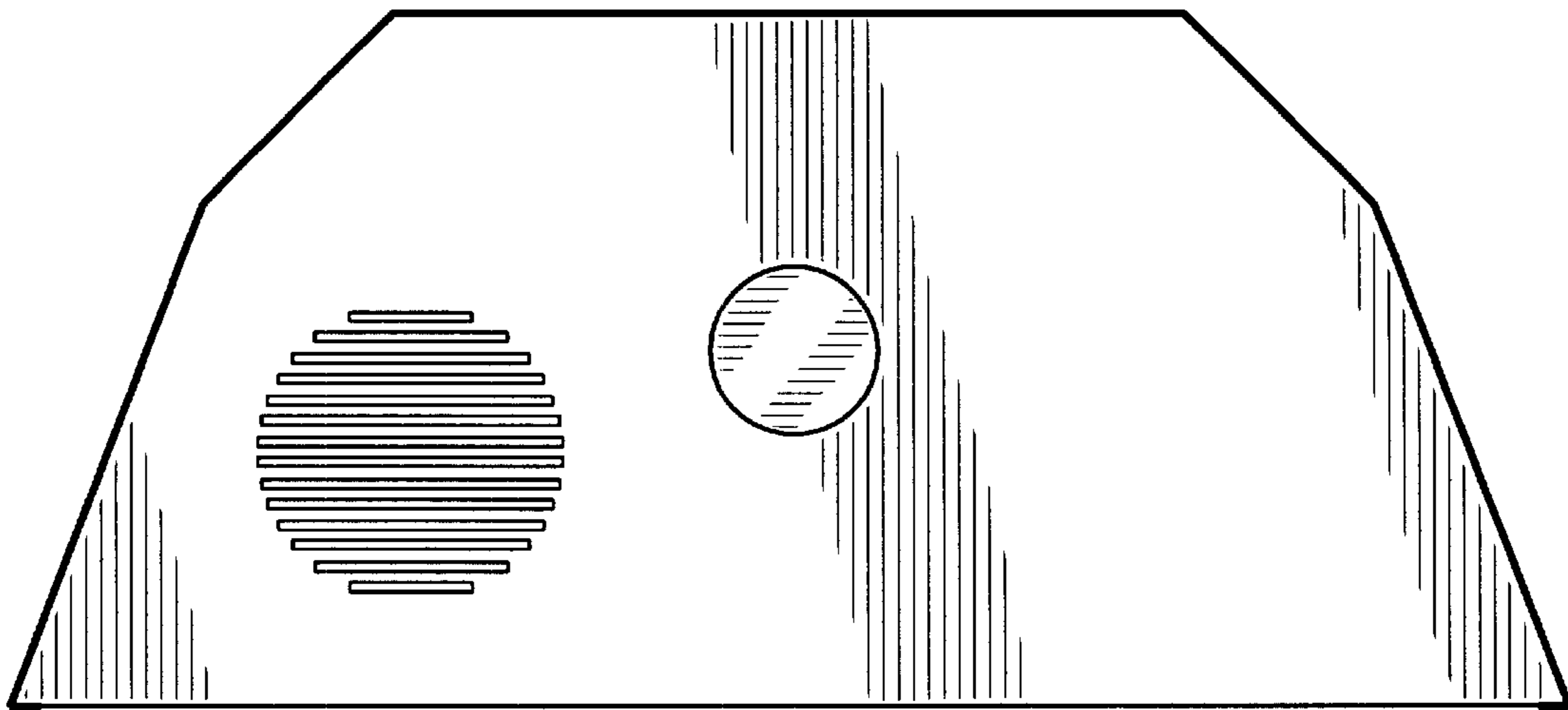


FIG._5

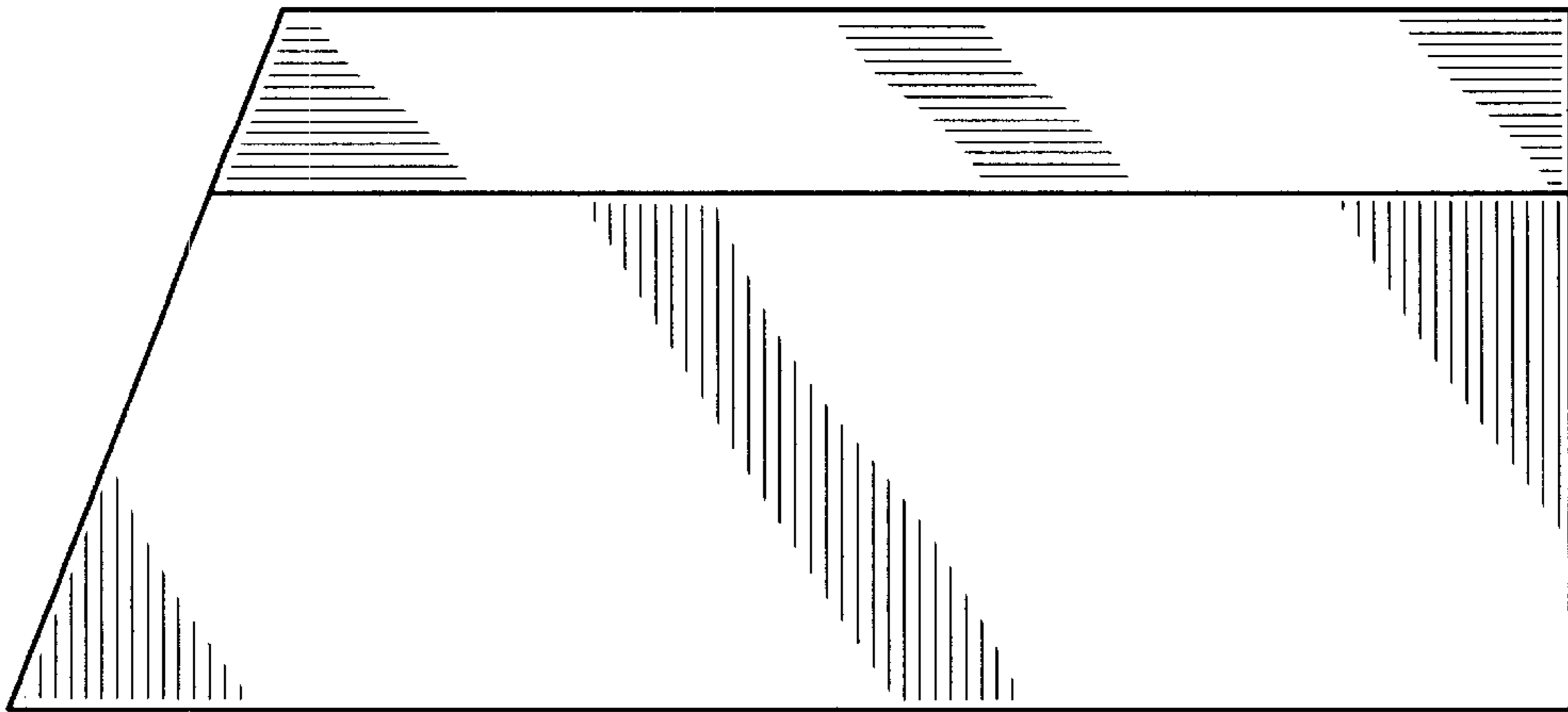


FIG._4

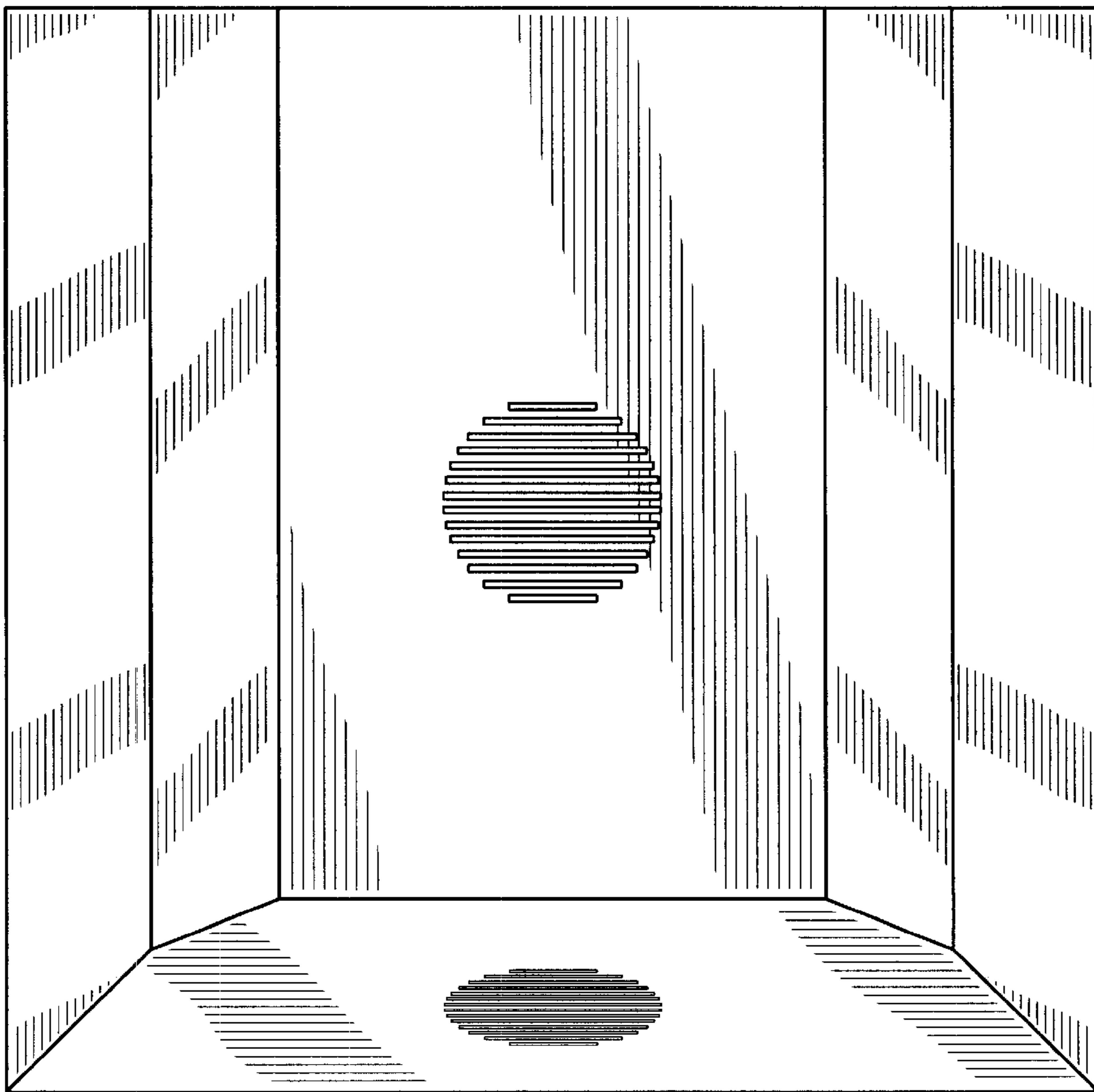


FIG._6

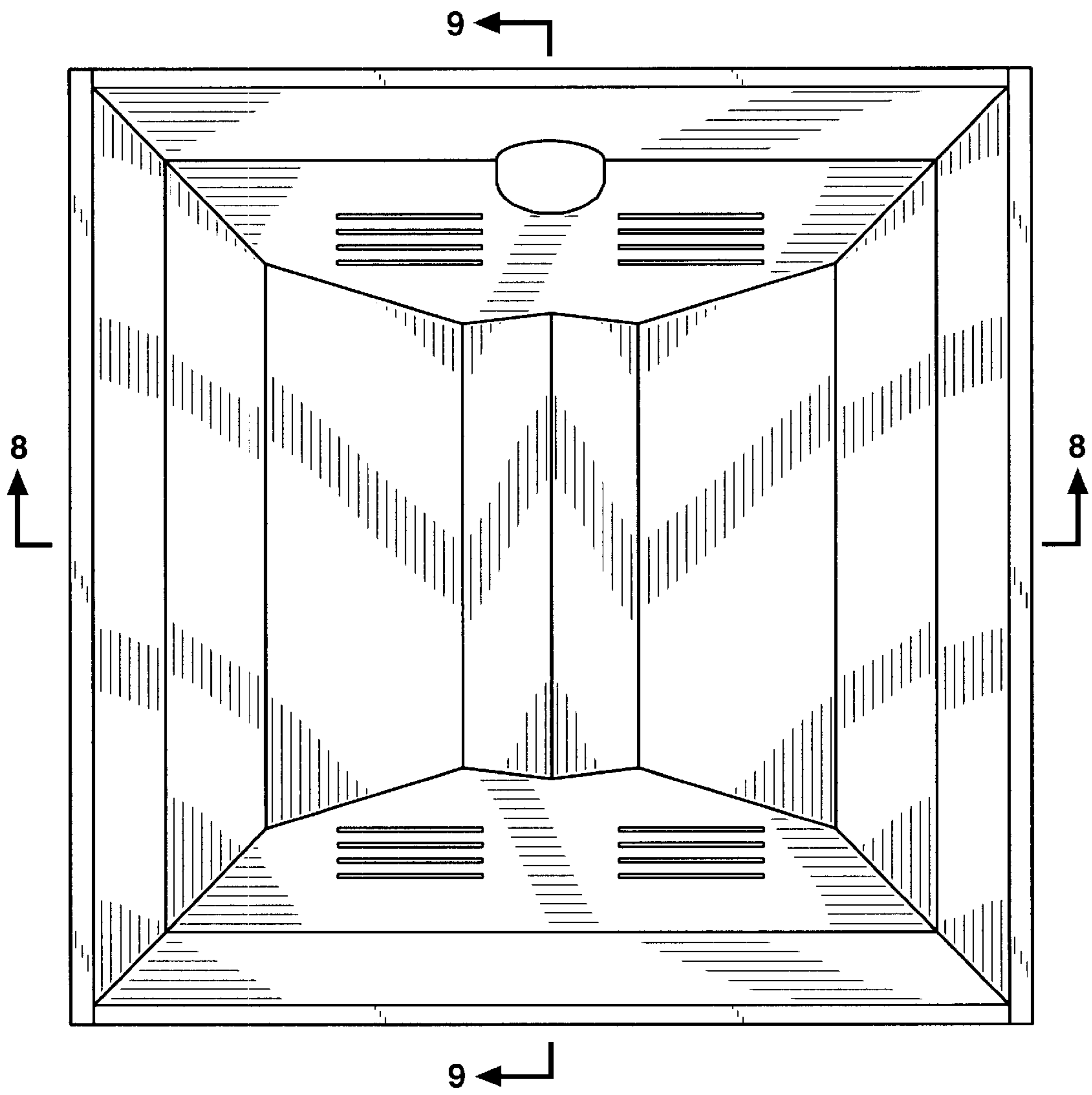


FIG. 7

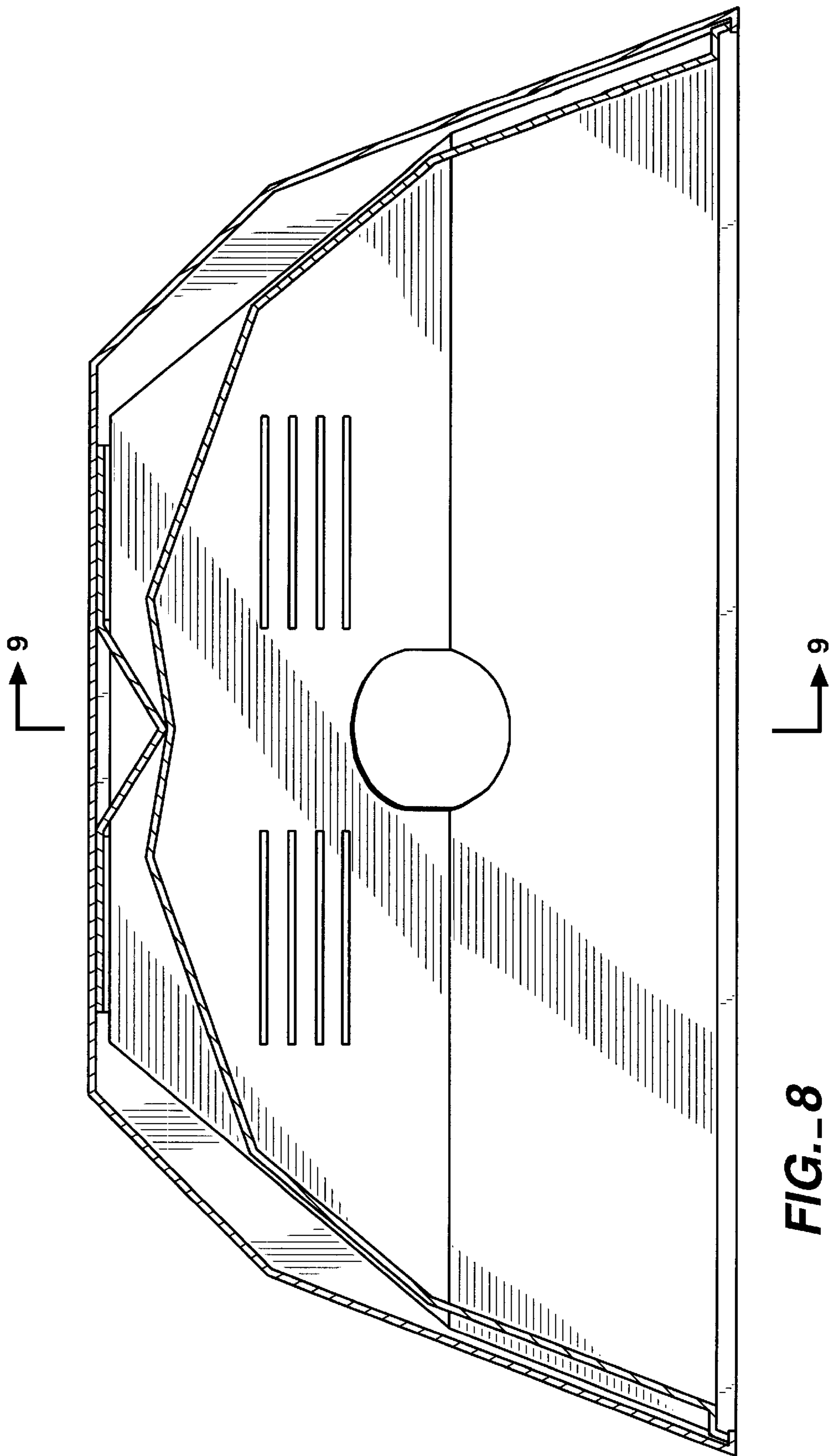


FIG.-8

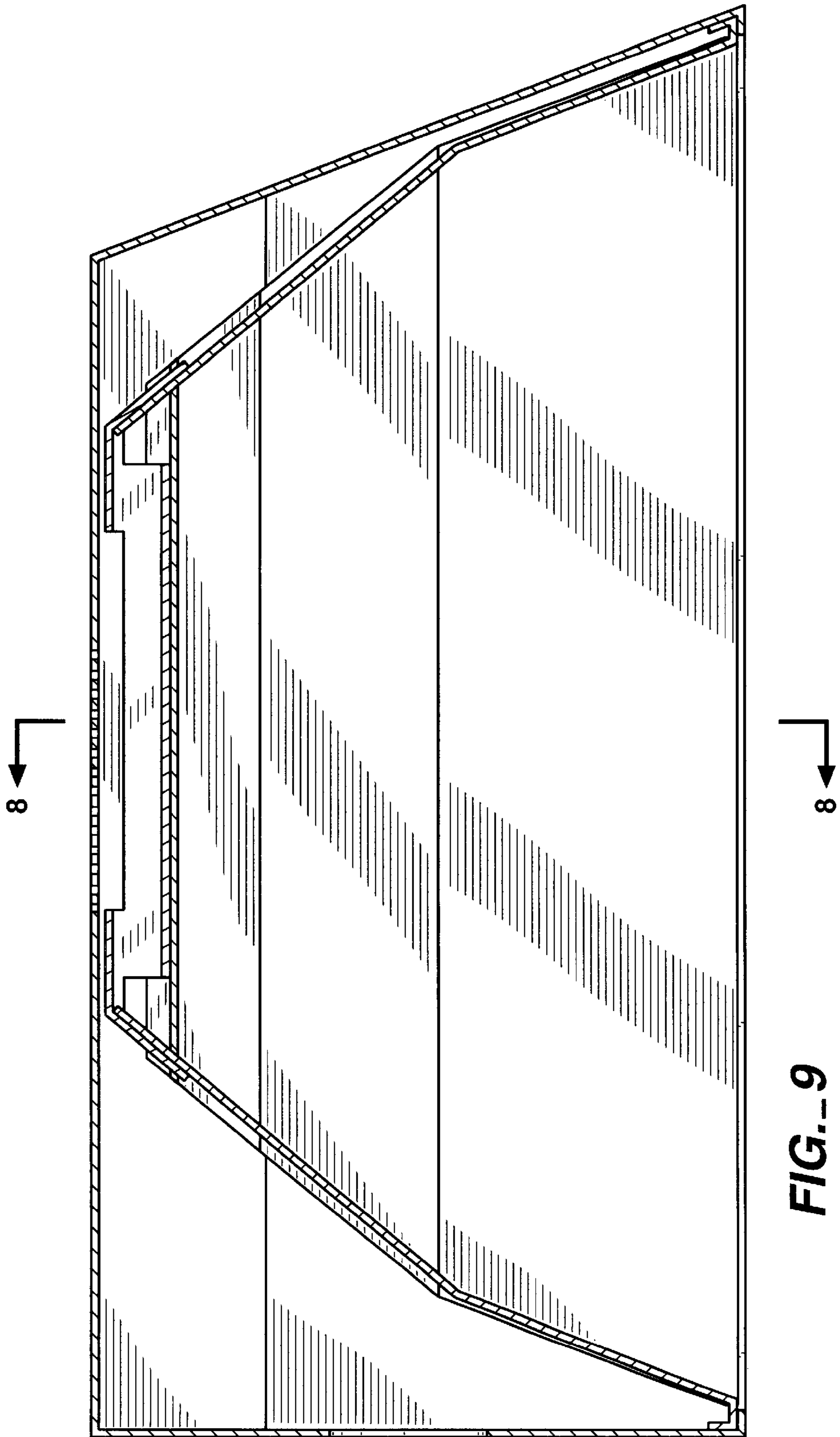


FIG. 9