



US00D456925S

(12) **United States Design Patent**
Straus et al.

(10) **Patent No.:** **US D456,925 S**

(45) **Date of Patent:** **** May 7, 2002**

(54) **OUTDOOR LIGHTING FIXTURE**

(75) Inventors: **Joseph Straus; Angel Orellana**, both of Sun Valley, CA (US); **Chris E. Liakakos; Jeffery M. Reinke**, both of Chicago, IL (US)

(73) Assignee: **Northwestern Memorial Corporation**, Chicago, IL (US)

(**) Term: **14 Years**

(21) Appl. No.: **29/141,894**

(22) Filed: **May 14, 2001**

Related U.S. Application Data

(62) Division of application No. 29/112,514, filed on Oct. 18, 1999, now Pat. No. Des. 446,593, which is a continuation of application No. 29/102,578, filed on Mar. 26, 1999, now abandoned.

(51) **LOC (7) Cl.** **26-05**

(52) **U.S. Cl.** **D26/68**

(58) **Field of Search** D26/67-71, 93,
D26/102-112; 362/153, 153.1, 410-414,
431

(56) **References Cited**

U.S. PATENT DOCUMENTS

D205,719 S 9/1966 Pettengill

D222,810 S 1/1972 Husby

D370,288 S 5/1996 Tognu

D376,666 S 12/1996 Shalvi

D385,374 S 10/1997 Shalvi

OTHER PUBLICATIONS

Johns-Manville catalog, Holophane® Caribe™ Luminaires, exterior lighting fixtures on p. 7, published Apr. 1980.

Taiwan Lighting, outdoor lamp at lower left corner of p. 220, published May, 1996.

Primary Examiner—Alan P. Douglas

Assistant Examiner—Linda Brooks

(74) *Attorney, Agent, or Firm*—Lee, Mann, Smith, McWilliams, Sweeney and Ohlson

(57) **CLAIM**

The ornamental design for an outdoor lighting fixture, as shown and described.

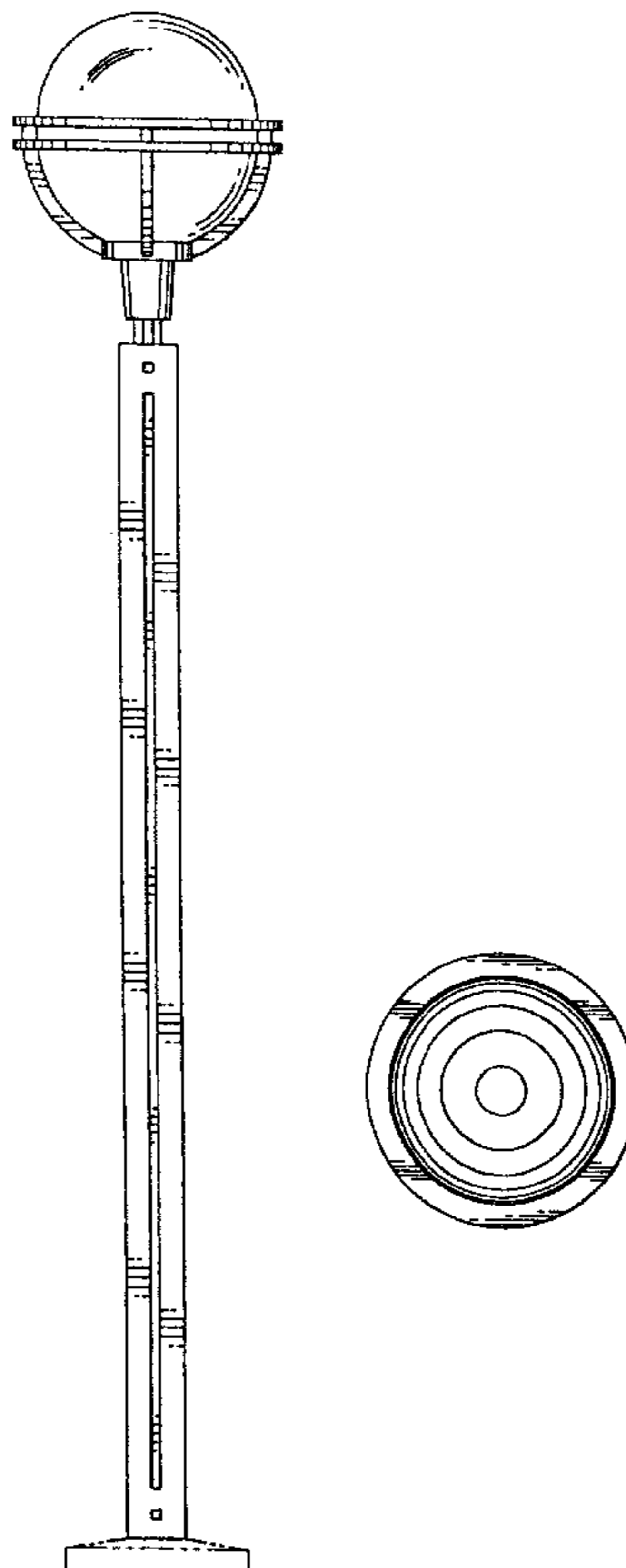
DESCRIPTION

FIG. 1 is a front elevation view of the design, a rear elevation view, right side elevation view, and a left side elevation view being identical thereto; and,

FIG. 2 is a top plan view of FIG. 1.

The broken lines shown are for illustrative purposes only and form no part of the claimed design.

1 Claim, 1 Drawing Sheet



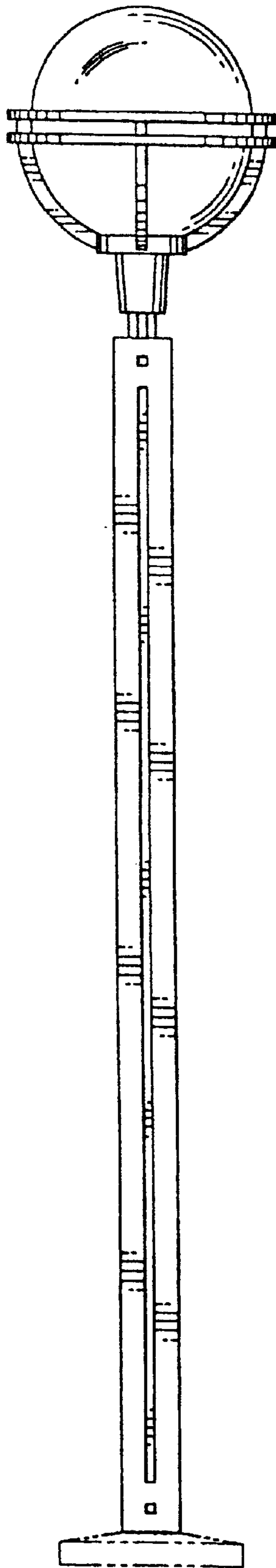


FIG. 1

FIG. 2

