



US00D456921S

(12) **United States Design Patent**
Parker et al.

(10) **Patent No.:** **US D456,921 S**

(45) **Date of Patent:** **** May 7, 2002**

(54) **FLASHLIGHT**

(75) Inventors: **David H. Parker**, Torrance; **Kevin Deighton**, Long Beach; **John Hoven**, Manhattan Beach, all of CA (US)

(73) Assignee: **Pelican Products, Inc.**, Torrance, CA (US)

(**) Term: **14 Years**

(21) Appl. No.: **29/148,171**

(22) Filed: **Sep. 17, 2001**

(51) **LOC (7) Cl.** **26-02**

(52) **U.S. Cl.** **D26/45**

(58) **Field of Search** D26/37-50; 362/157, 362/158, 171, 172, 173, 181-208

(56) **References Cited**

U.S. PATENT DOCUMENTS

D301,752 S * 6/1989 Osterhout D26/45
D429,013 S * 8/2000 Poon D26/45

D431,662 S * 10/2000 Krieger D26/45
D434,513 S * 11/2000 Poon D26/45
D436,200 S * 1/2001 Cheong et al. D26/45
D441,474 S * 5/2001 Poon D26/45

* cited by examiner

Primary Examiner—Marcus A. Jackson

(74) *Attorney, Agent, or Firm*—Oppenheimer, Wolff & Donnelly

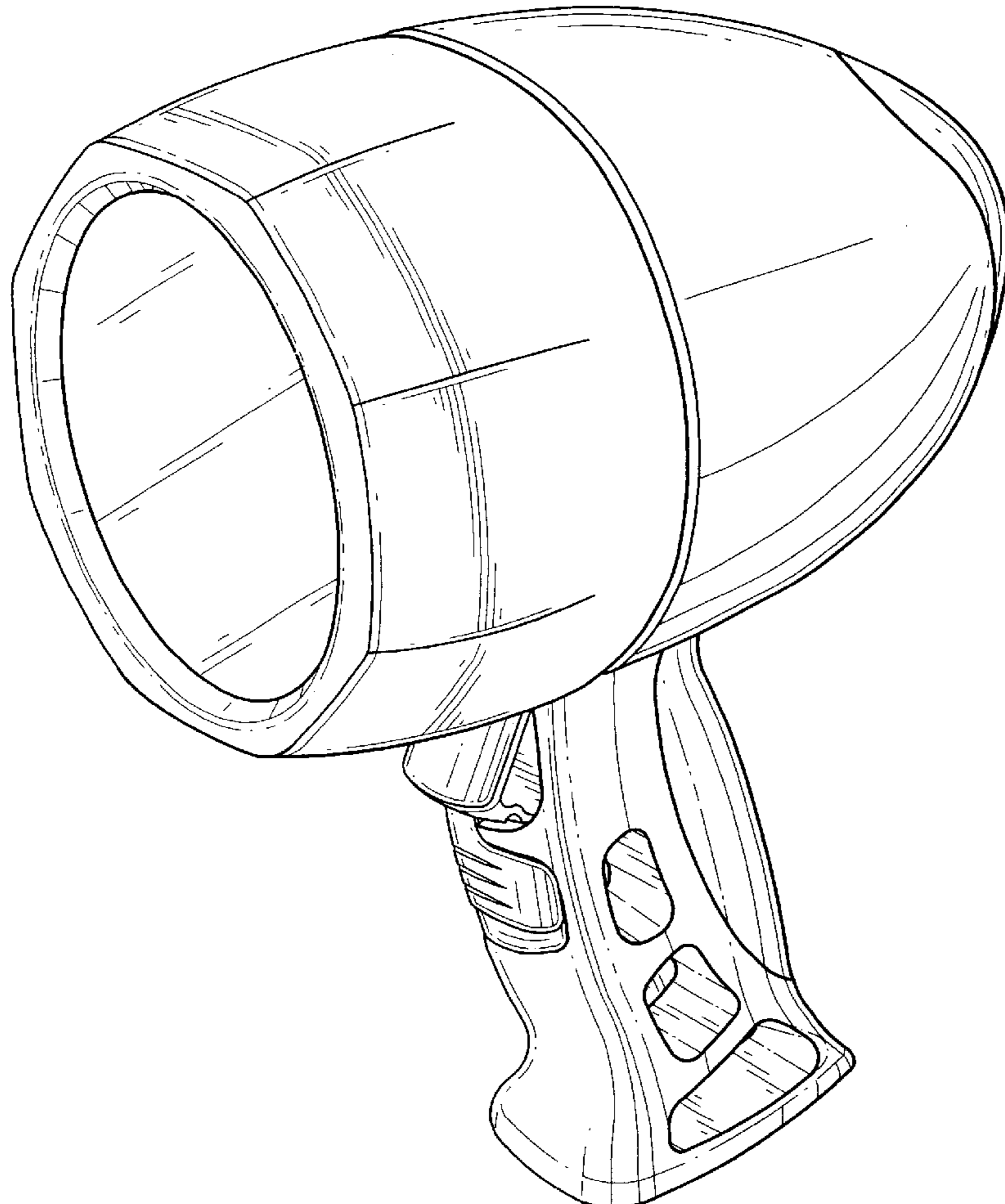
(57) **CLAIM**

The ornamental design for a flashlight, as shown and described.

DESCRIPTION

FIG. 1 is a perspective view from the front of the flashlight; FIG. 2 is a rear view of the flashlight; FIG. 3 is a side view of the flashlight; FIG. 4 is a front view of the flashlight; FIG. 5 is a top view of the flashlight; and, FIG. 6 is a under view of the flashlight.

1 Claim, 3 Drawing Sheets



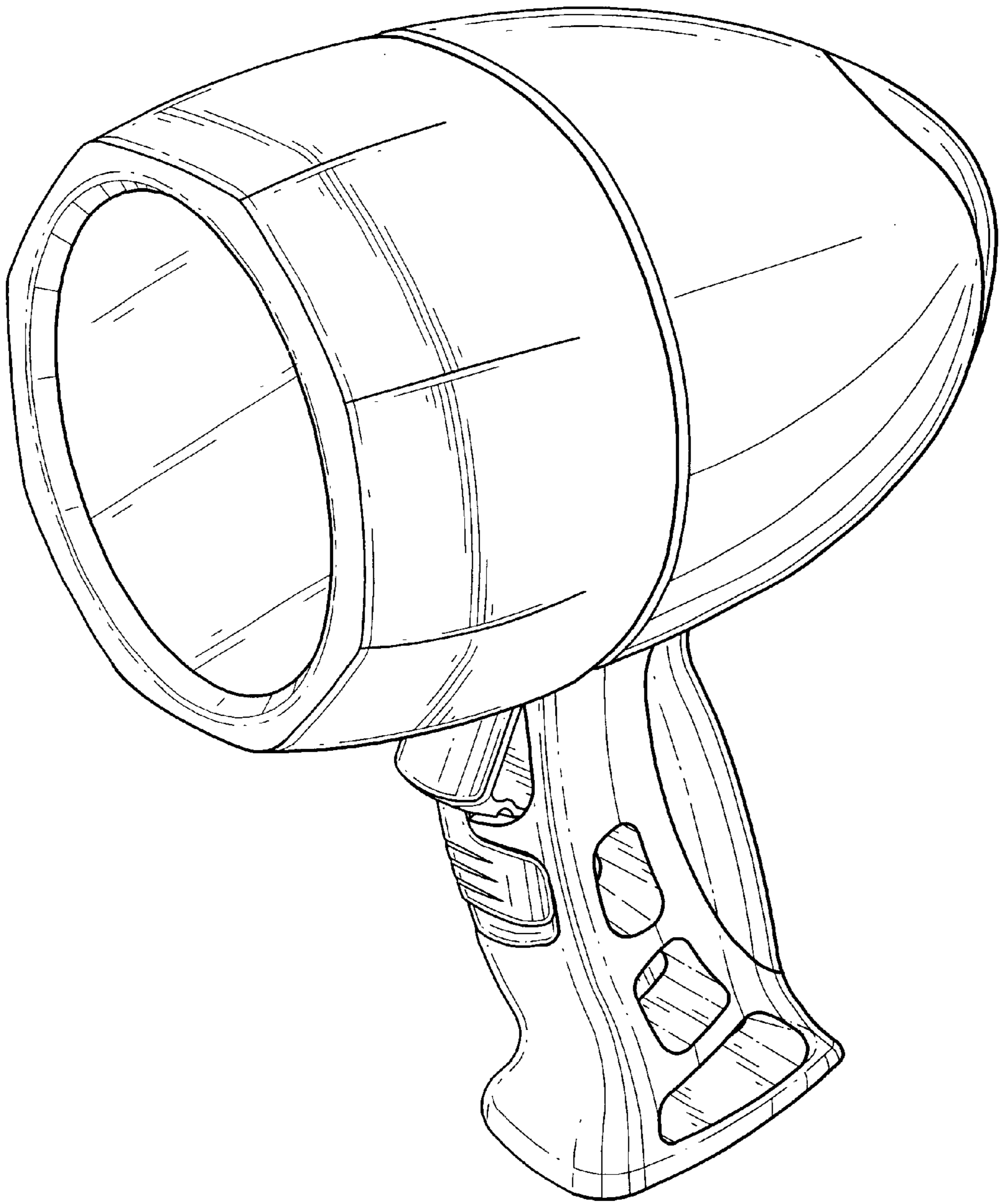


FIG. 1

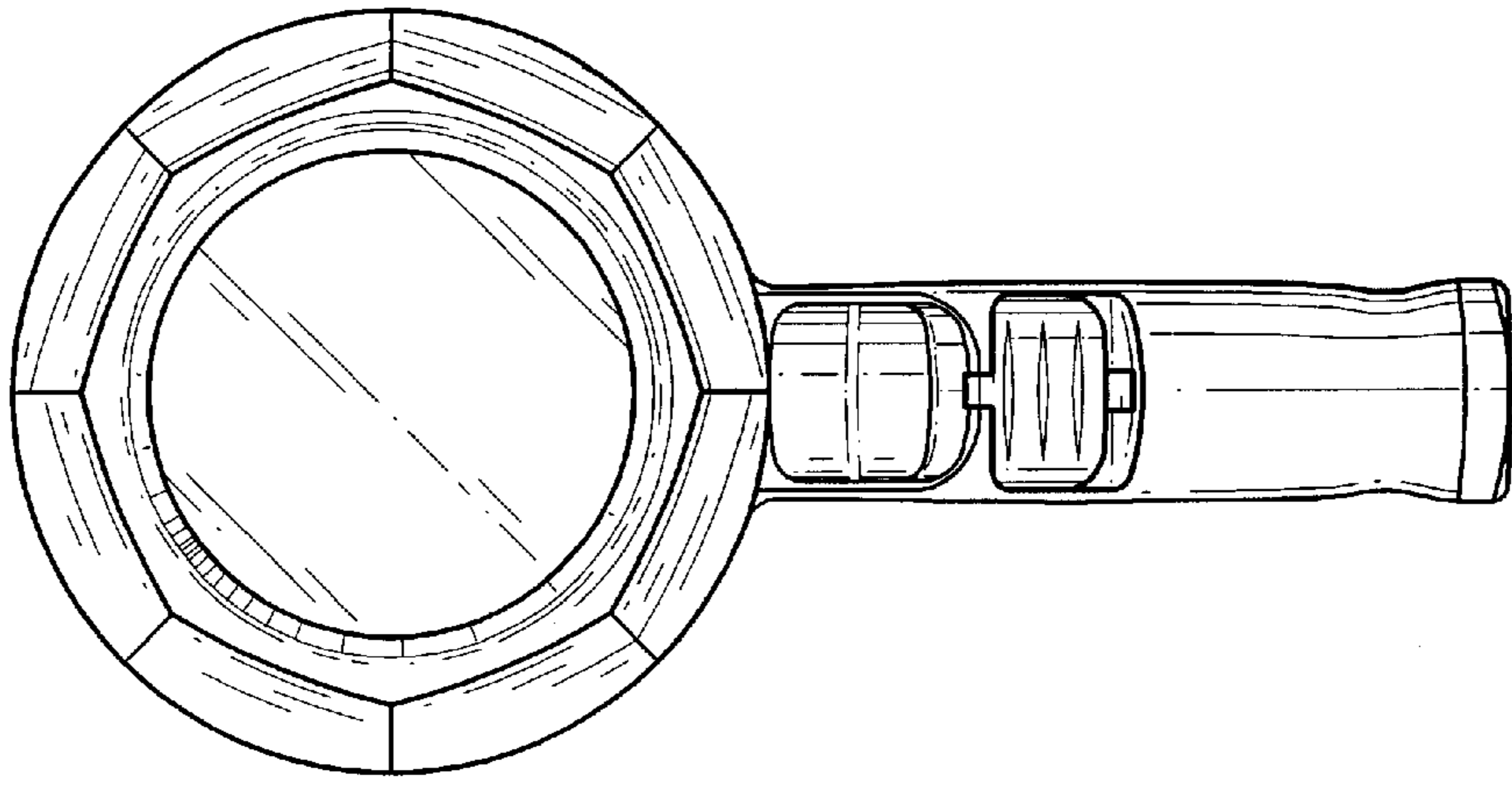


FIG. 4

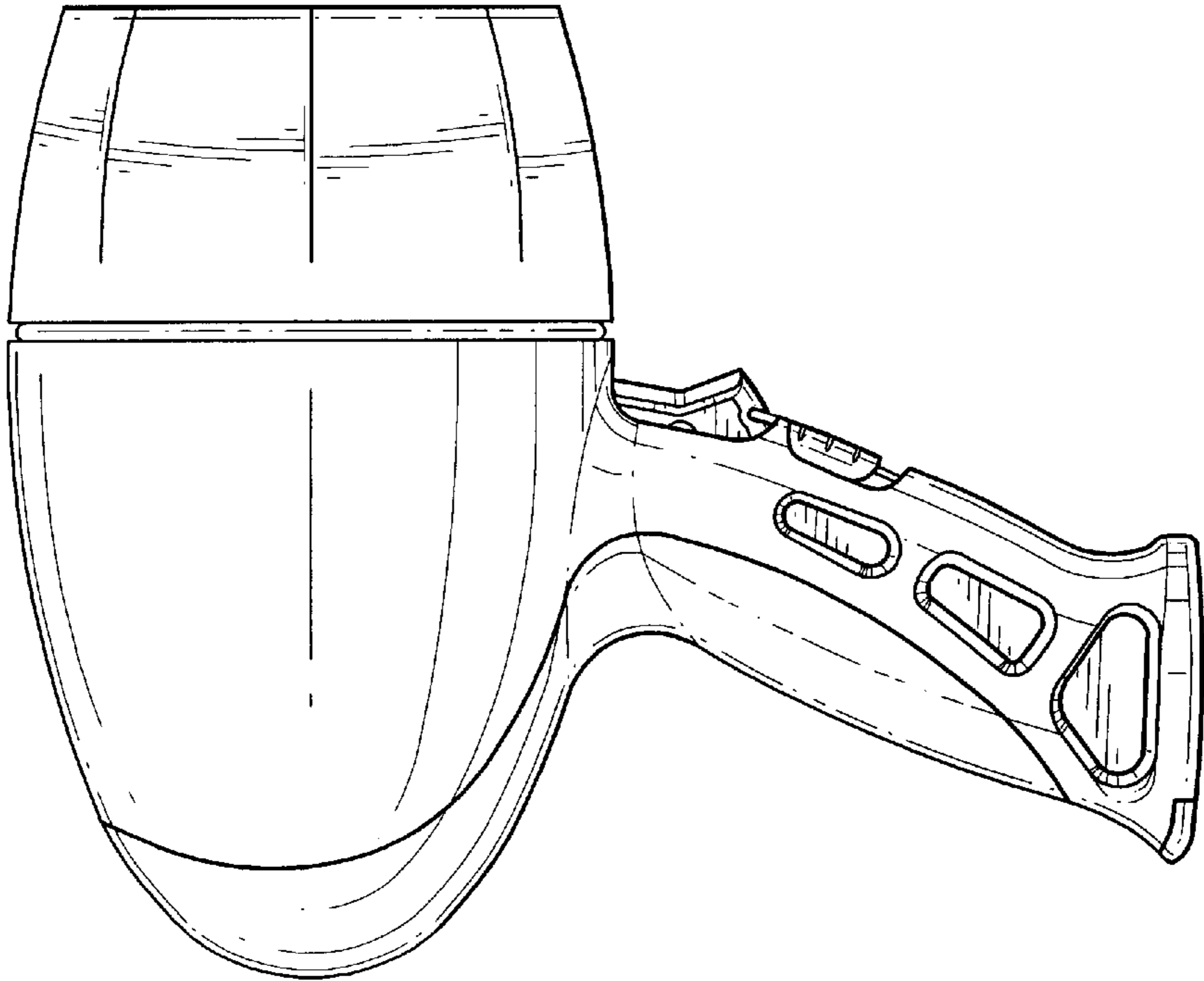


FIG. 3

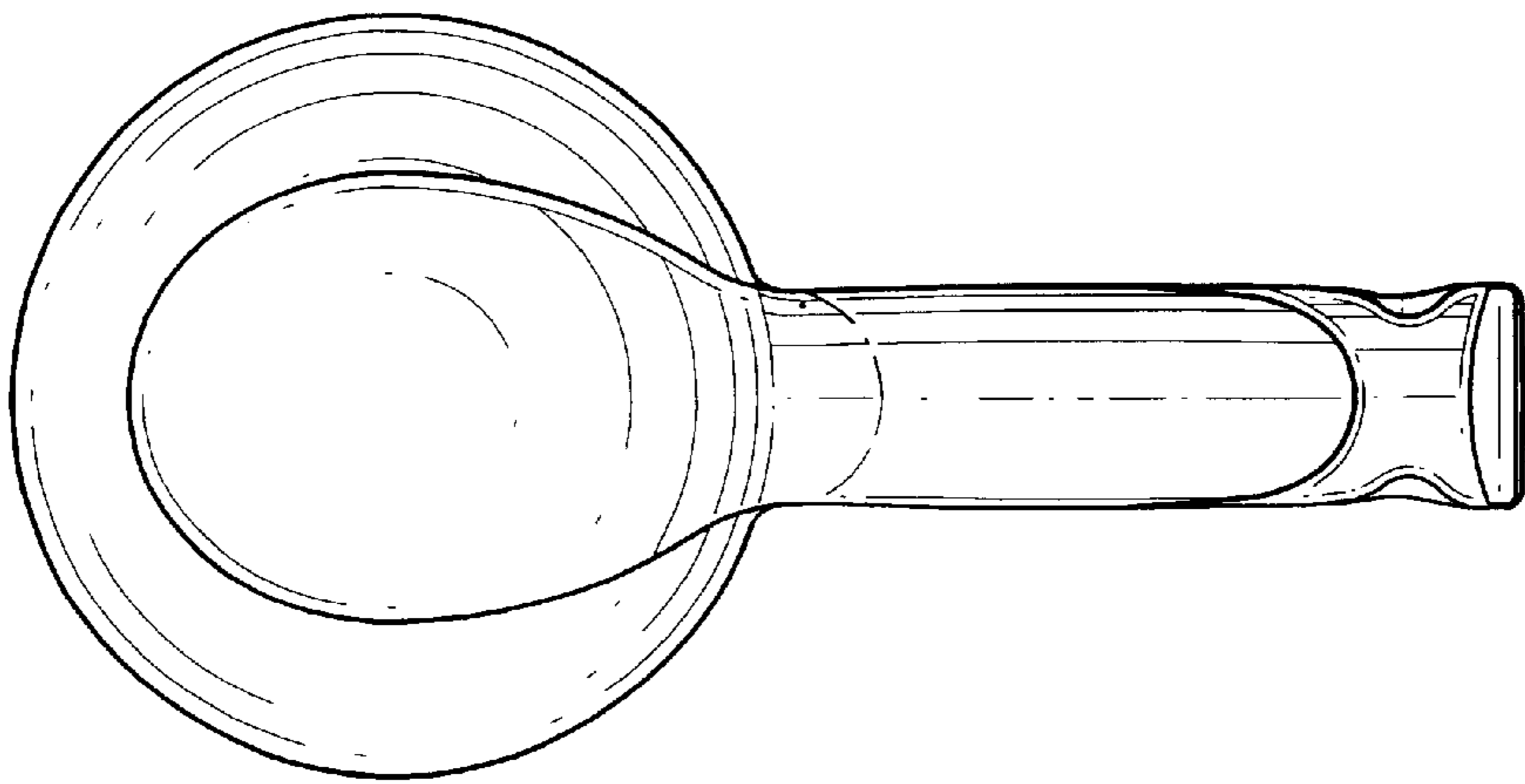


FIG. 2

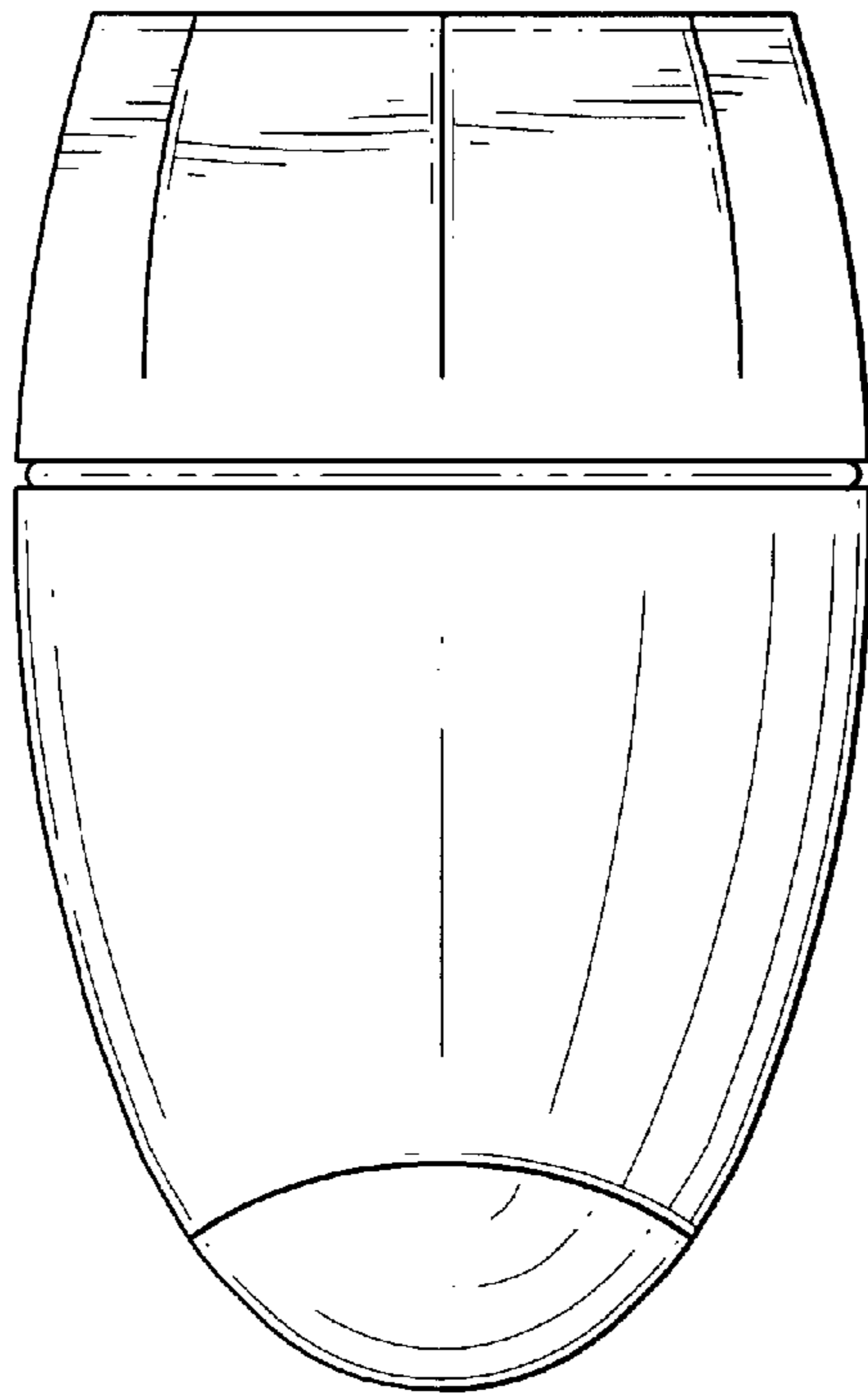


FIG. 5

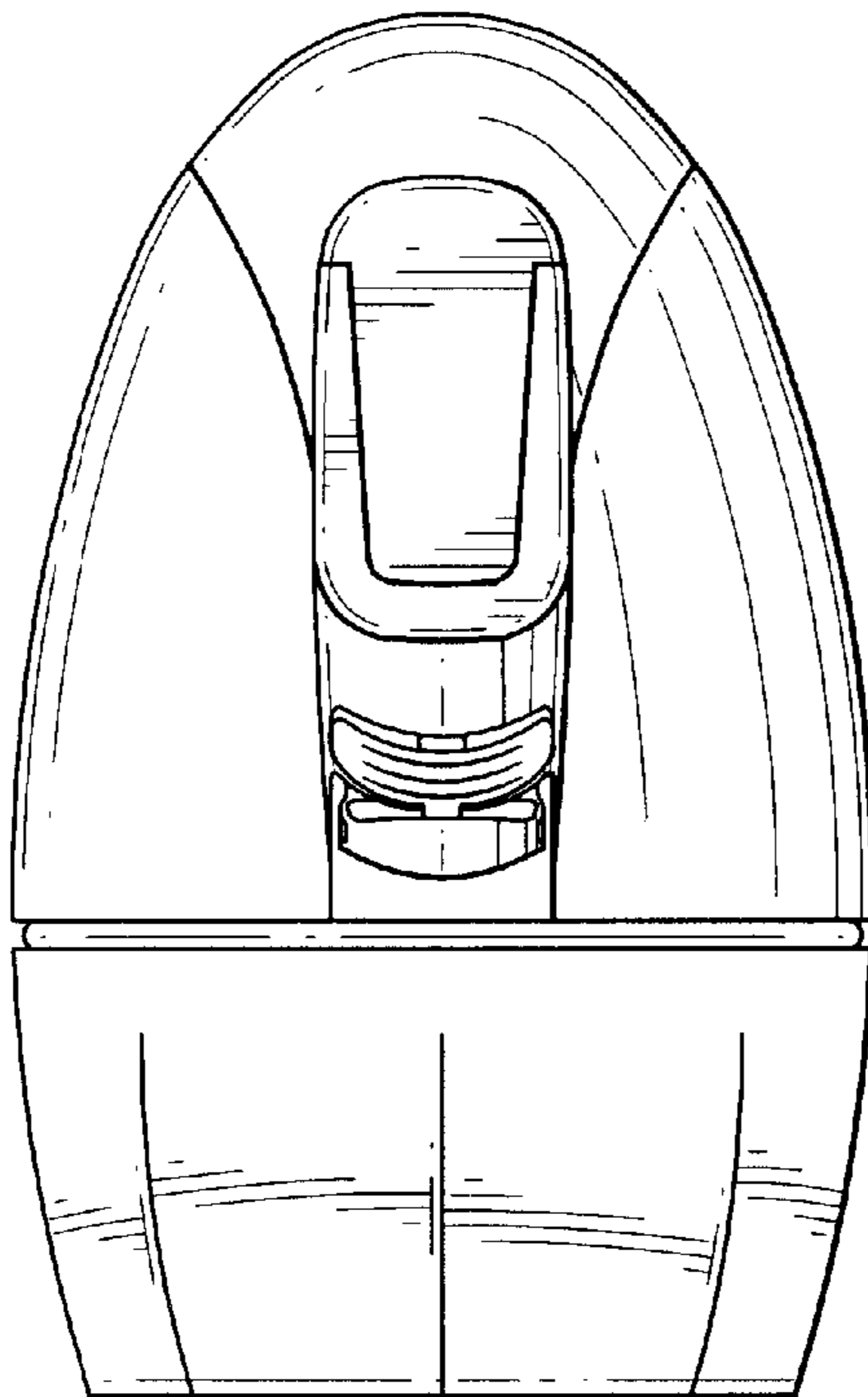


FIG. 6