



US00D456910S

(12) **United States Design Patent**  
**Clark et al.**

(10) **Patent No.:** **US D456,910 S**

(45) **Date of Patent:** **\*\* May 7, 2002**

(54) **ANALYTE TEST STRIP**

(75) Inventors: **Denise Clark**, San Ramon, CA (US);  
**Pedro Haddock**, Mayaguez, PR (US)

(73) Assignee: **Lifescan, Inc.**, Milpitas, CA (US)

(\*\*) Term: **14 Years**

(21) Appl. No.: **29/141,582**

(22) Filed: **May 9, 2001**

(51) **LOC (7) Cl.** ..... **24-02**

(52) **U.S. Cl.** ..... **D24/225; D20/22; D24/216;**  
**D24/223**

(58) **Field of Search** ..... **D24/225, 216,**  
**D24/223; D20/22; 422/58, 56, 57, 70, 82.05,**  
**1; 600/573, 365, 367, 368; 436/95, 162,**  
**8, 901, 92, 169**

(56) **References Cited**

**U.S. PATENT DOCUMENTS**

3,832,134 A	*	8/1974	Sohn	.....	422/70
4,844,866 A	*	7/1989	Wallace et al.	.....	422/57
5,075,078 A	*	12/1991	Osikowicz et al.	.....	422/56
5,304,468 A	*	4/1994	Phillips et al.	.....	422/58
5,755,231 A	*	5/1998	Krantz et al.	.....	600/368
5,780,098 A	*	7/1998	Battles	.....	422/1

5,962,333 A	*	10/1999	Incorvia et al.	.....	422/58
6,027,692 A	*	2/2000	Galen et al.	.....	422/82.05
6,267,722 B1	*	7/2001	Anderson et al.	.....	600/584

\* cited by examiner

*Primary Examiner*—Ian Simmons

(57) **CLAIM**

The ornamental design for an analyte test strip, as shown and described.

**DESCRIPTION**

FIG. 1 is a perspective view of one embodiment of the test strip of our new design.

FIG. 2 is a top plan view of the strip of FIG. 1.

FIG. 3 is a right side elevational view of the strip of FIG. 1.

FIG. 4 is a bottom plan view of the strip of FIG. 1.

FIG. 5 is a front elevational view of the strip of FIG. 1.

FIG. 6 is a rear elevational view of the strip of FIG. 1.

FIG. 7 is a perspective view of an alternative embodiment of the test strip of our design.

FIG. 8 is a top plan view of the strip of FIG. 7.

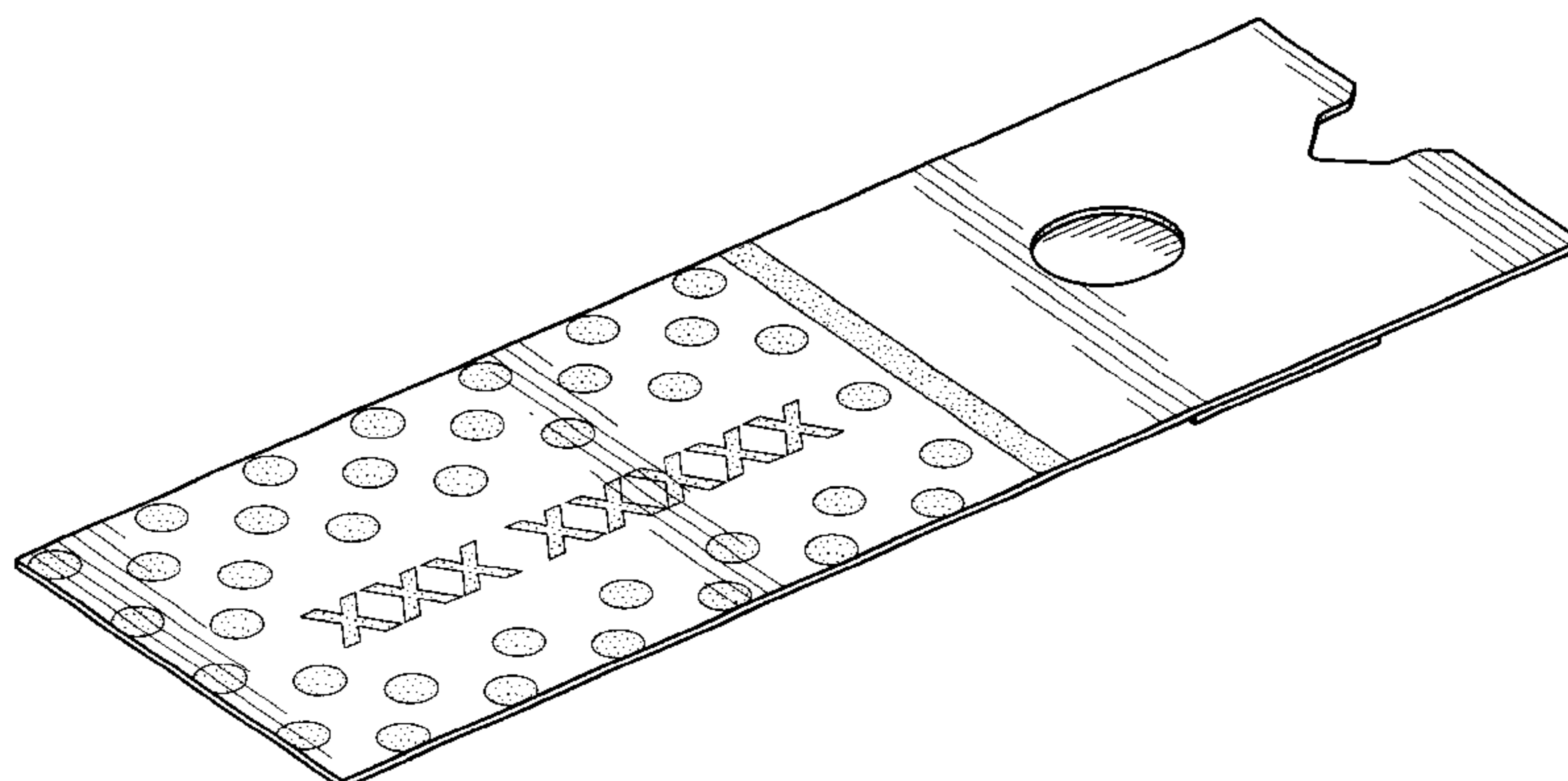
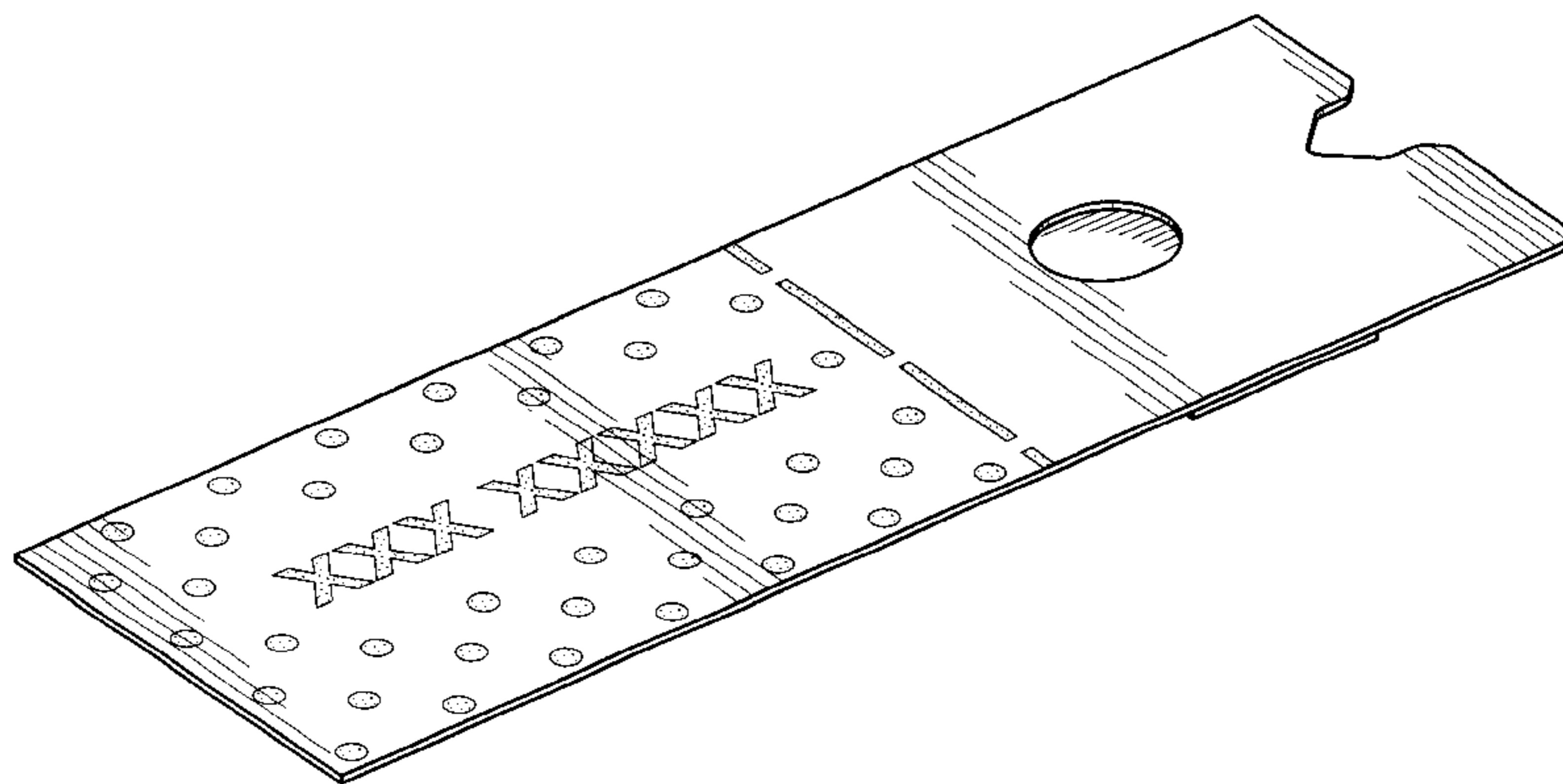
FIG. 9 is a right side elevational view of the strip of FIG. 7.

FIG. 10 is a bottom plan view of the strip of FIG. 7.

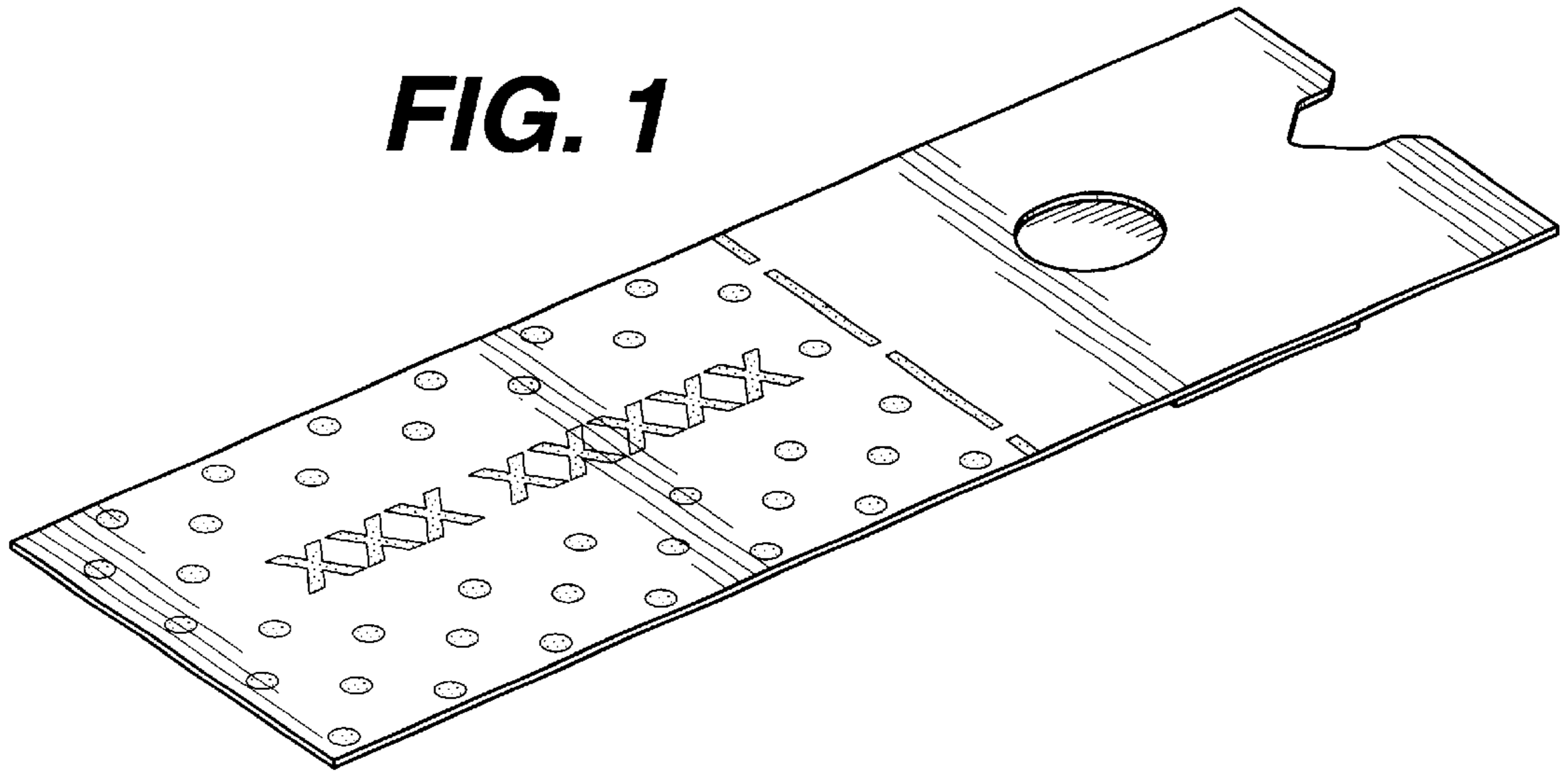
FIG. 11 is a front elevational view of the strip of FIG. 7; and,

FIG. 12 is a rear elevational view of the strip of FIG. 7.

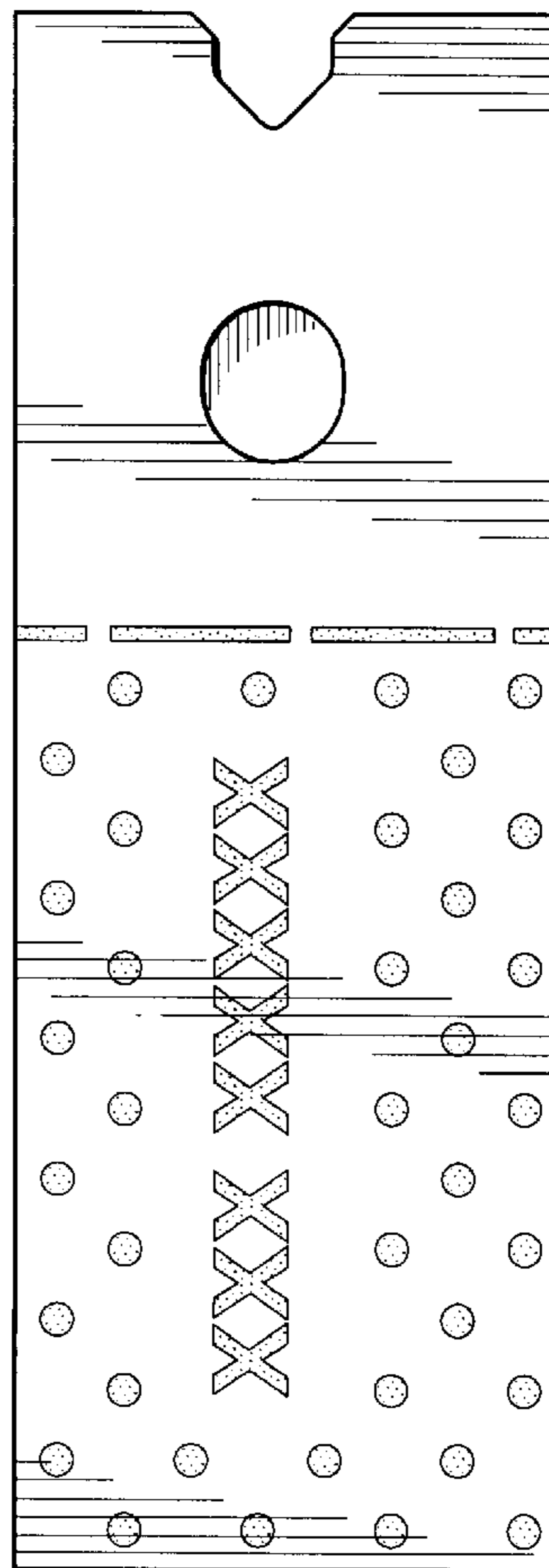
**1 Claim, 4 Drawing Sheets**



**FIG. 1**



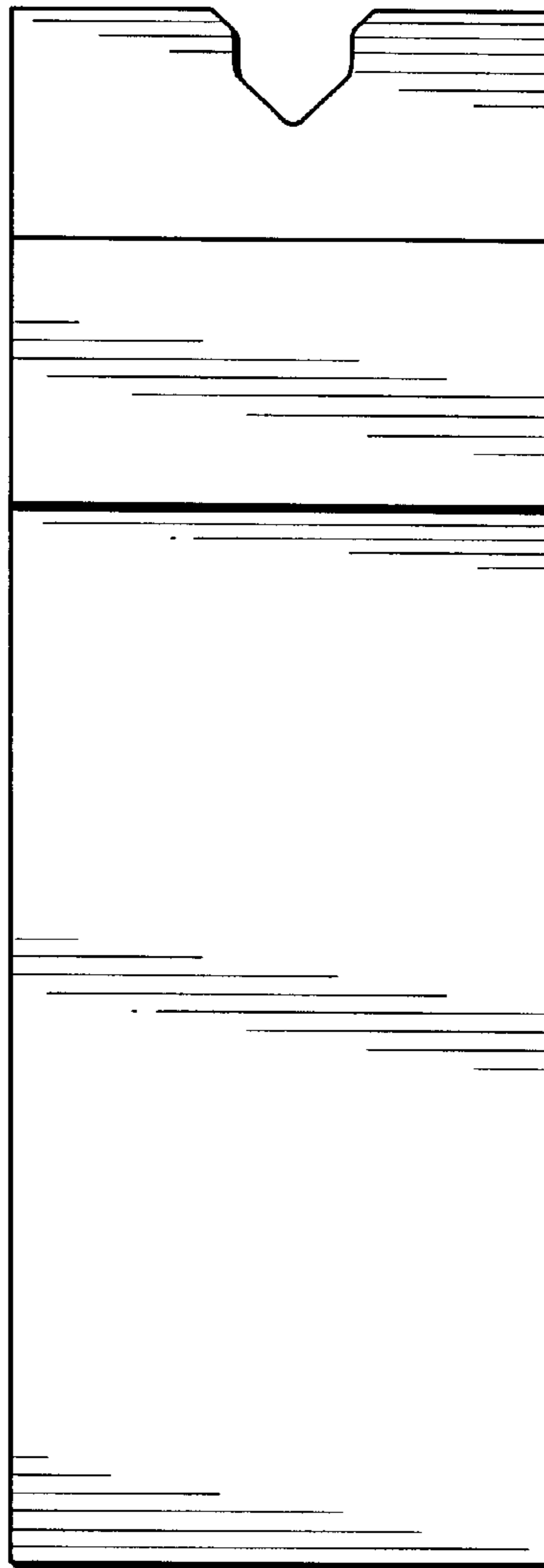
**FIG. 2**



**FIG. 3**



**FIG. 4**



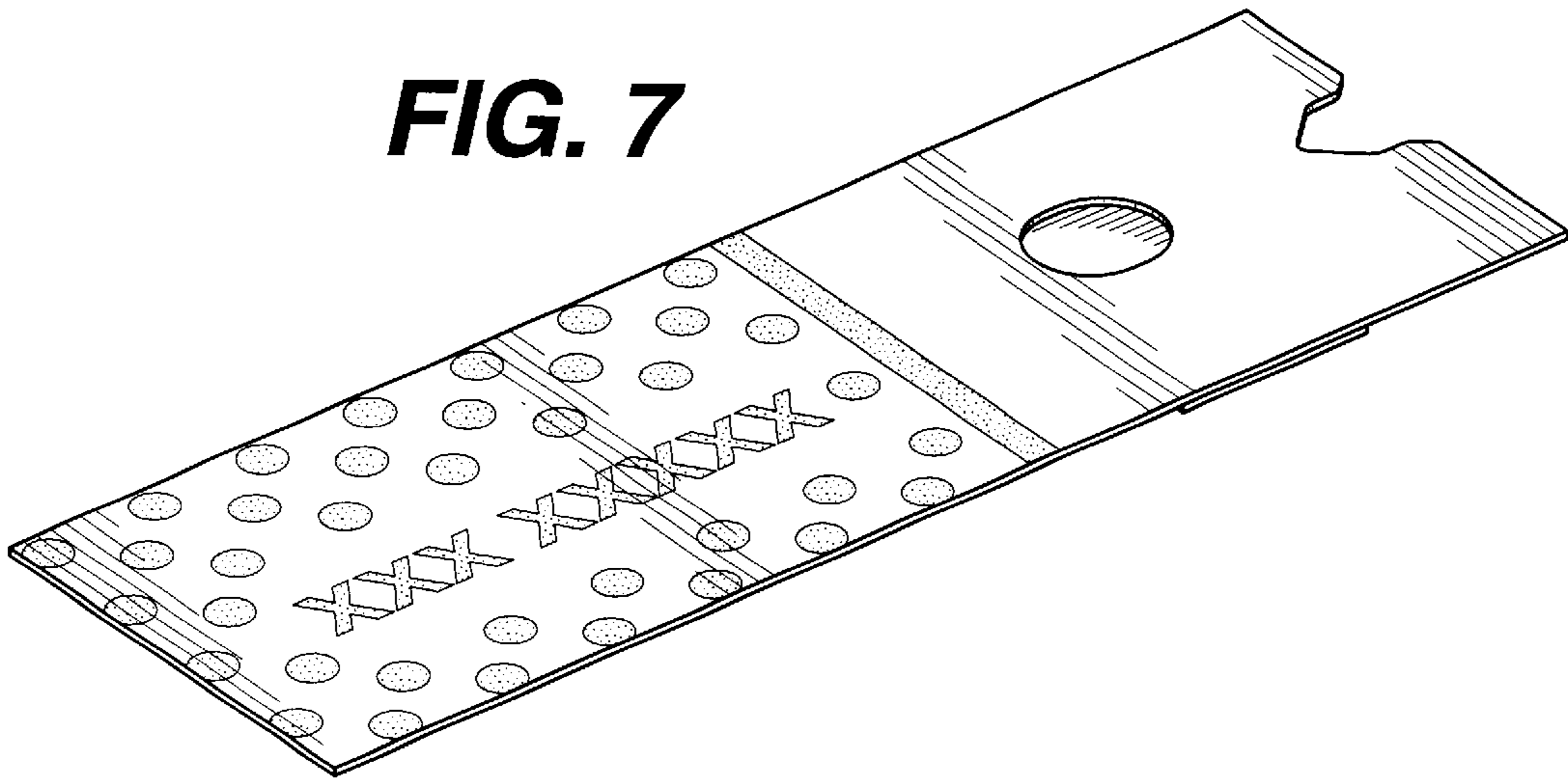
**FIG. 5**



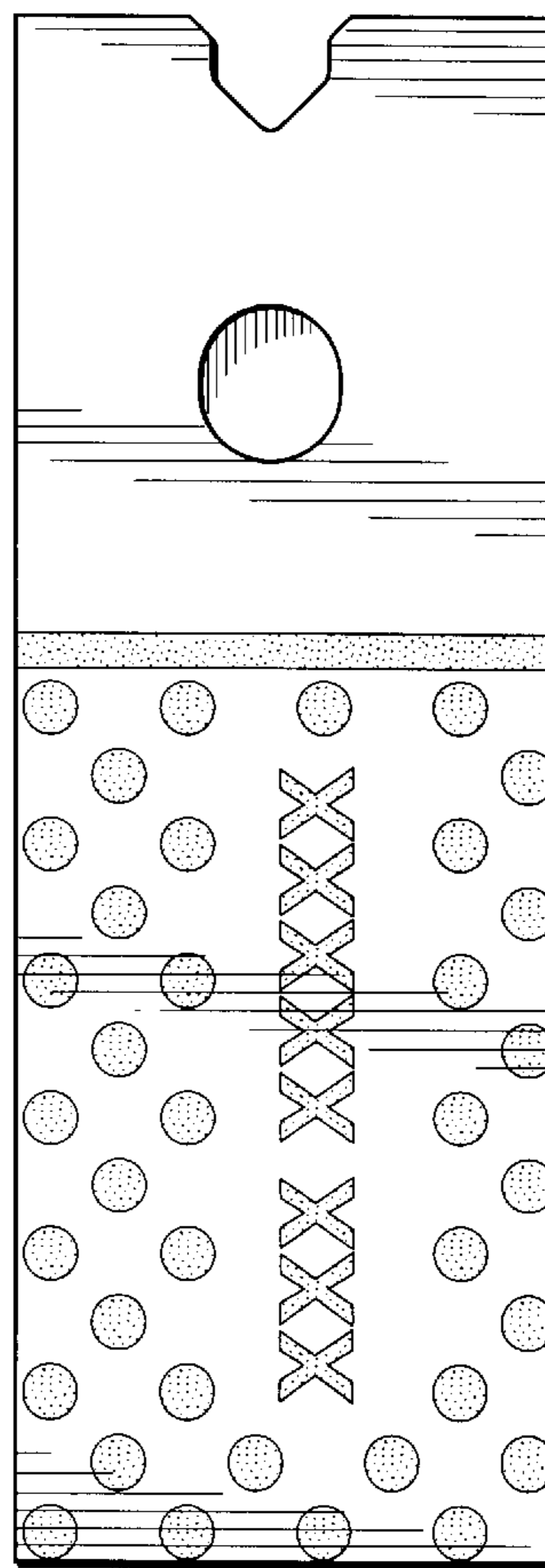
**FIG. 6**



**FIG. 7**



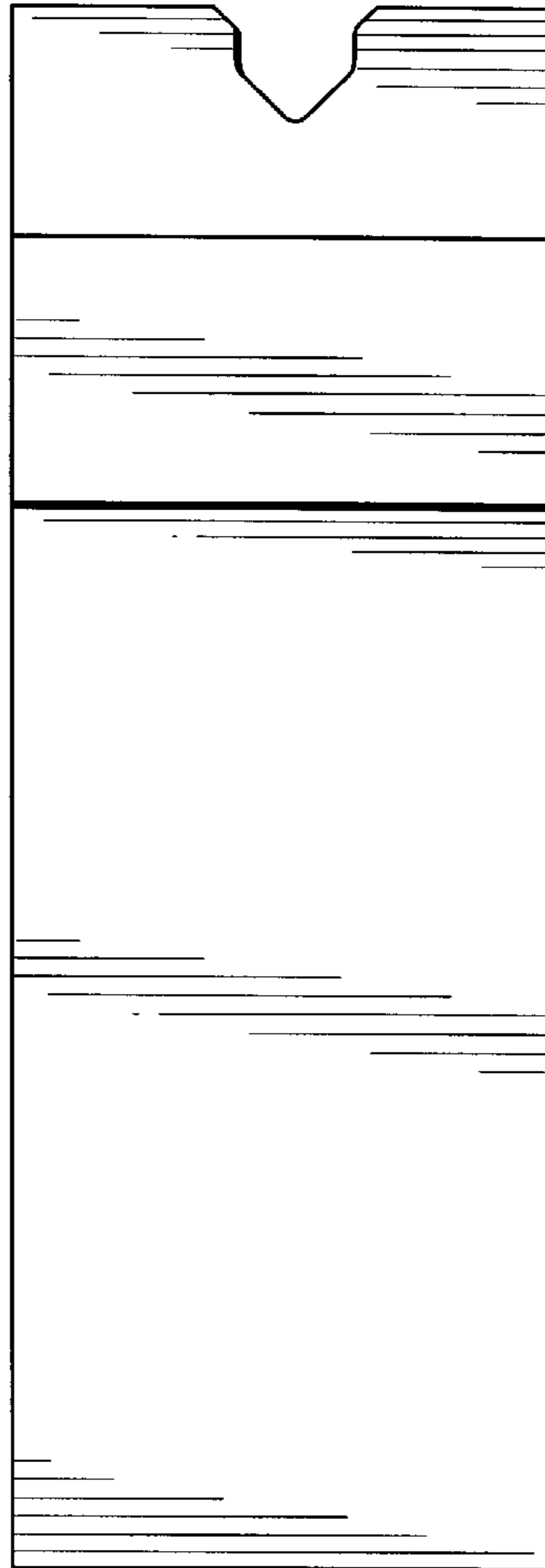
**FIG. 8**



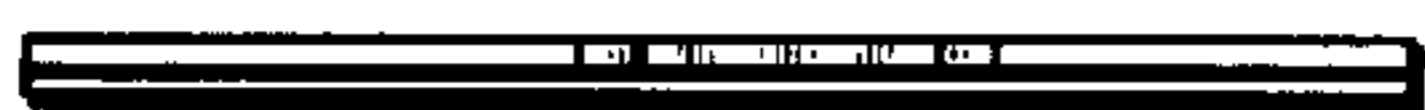
**FIG. 9**



**FIG. 10**



**FIG. 11**



**FIG. 12**

