



US00D456906S

(12) **United States Design Patent**  
**Graham**

(10) **Patent No.:** **US D456,906 S**

(45) **Date of Patent:** **\*\* May 7, 2002**

(54) **SUPPORT PILLOW FOR RECTAL SURGERY**

D410,744 S \* 6/1999 Banister ..... D24/183

(76) Inventor: **Bruce D. Graham**, 5655 W. 150th St.,  
Overland Park, KS (US) 66223

\* cited by examiner

(\*\*) Term: **14 Years**

*Primary Examiner*—Stella Reid

(74) *Attorney, Agent, or Firm*—Hovey Williams LLP

(21) Appl. No.: **29/150,888**

(57) **CLAIM**

(22) Filed: **Nov. 1, 2001**

The ornamental design for a support pillow for rectal surgery, as shown and described.

(51) **LOC (7) Cl.** ..... **24-04**

**DESCRIPTION**

(52) **U.S. Cl.** ..... **D24/183**

(58) **Field of Search** ..... D24/183; 5/600,  
5/601, 630, 636, 637, 652, 653; D6/601,  
596

FIG. 1 is a perspective view of my support pillow for rectal surgery;

FIG. 2 is a side view of my support pillow for rectal surgery;

FIG. 3 is an end view of one end of my support pillow for rectal surgery;

FIG. 4 is an end view of the other end of my support pillow for rectal surgery;

FIG. 5 is a plan view of my support pillow for rectal surgery; and,

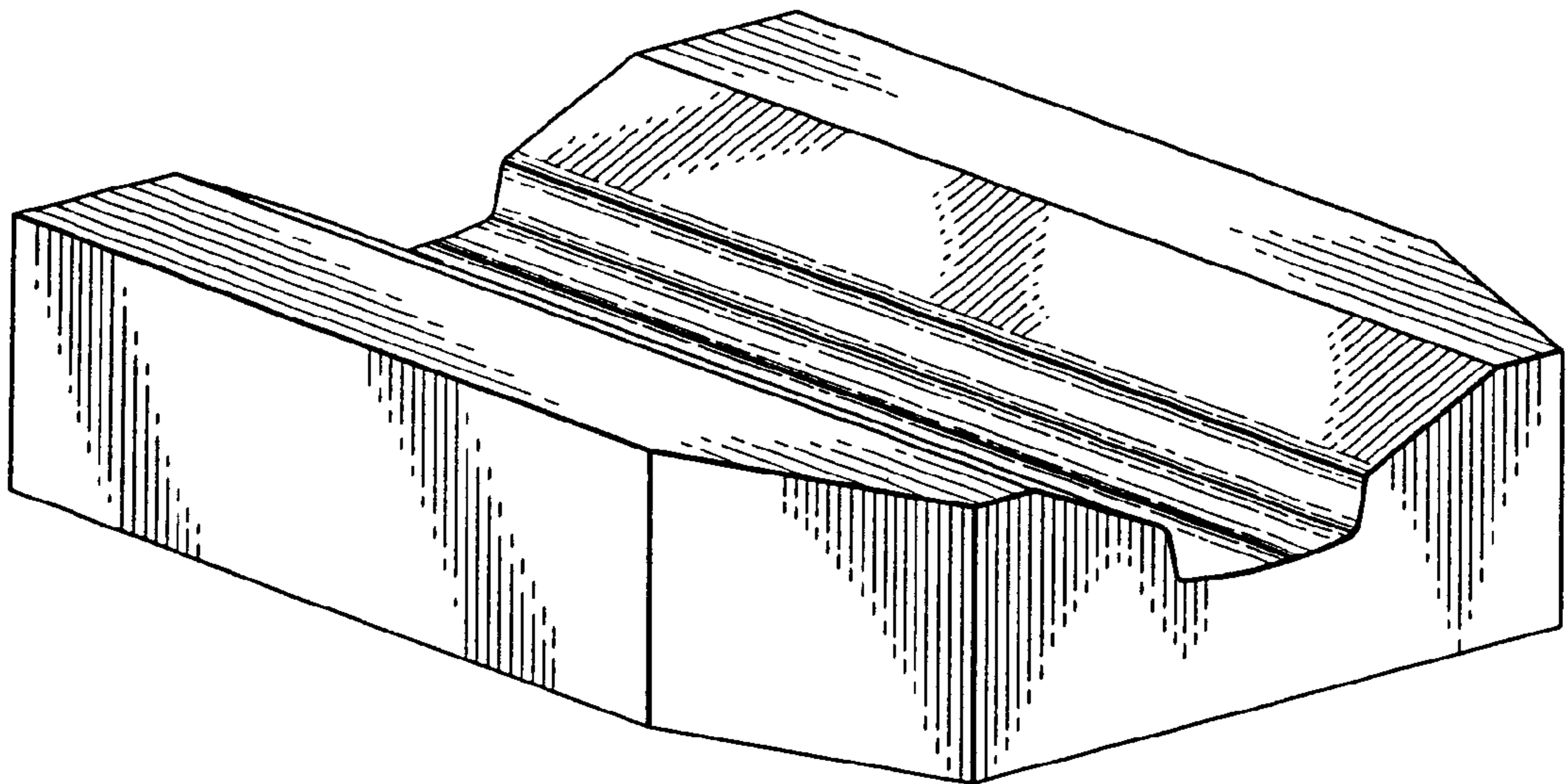
FIG. 6 is a bottom view of my support pillow for rectal surgery.

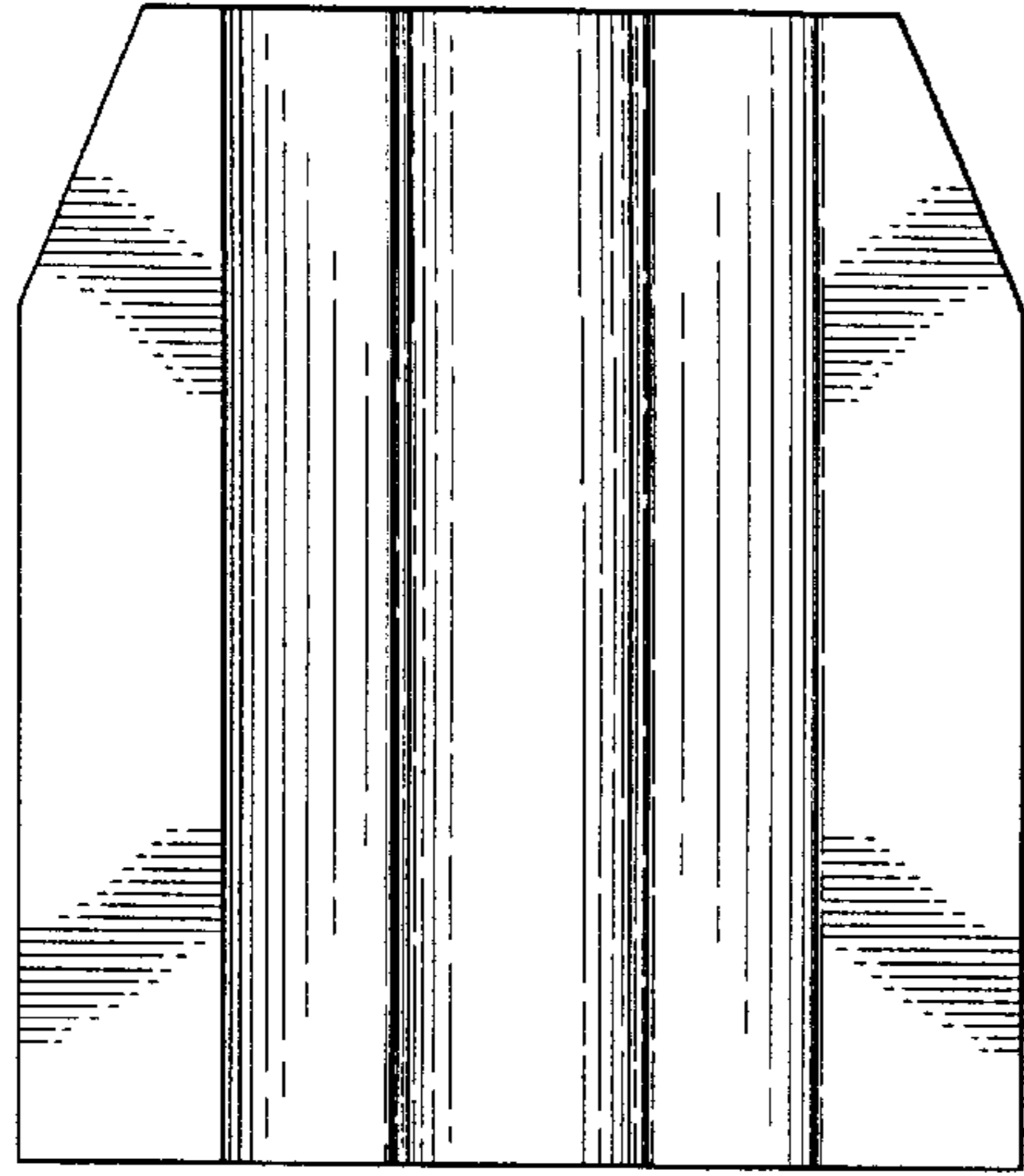
(56) **References Cited**

**U.S. PATENT DOCUMENTS**

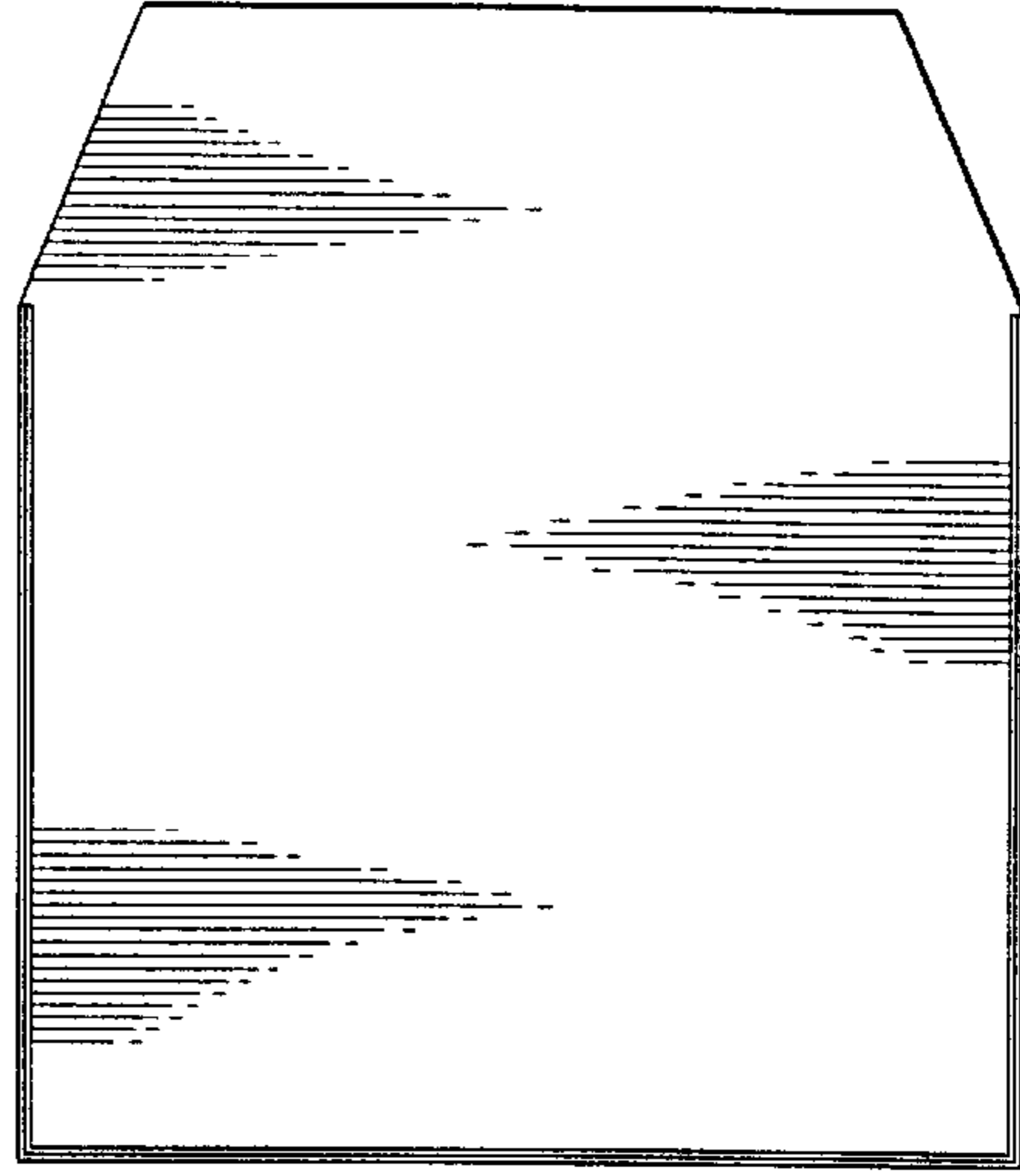
|             |   |         |                |       |         |
|-------------|---|---------|----------------|-------|---------|
| D214,302 S  | * | 6/1969  | Barber         | ..... | D6/601  |
| D246,626 S  | * | 12/1977 | Shenk          | ..... | D6/601  |
| D254,029 S  | * | 1/1980  | Barbagallo     | ..... | D24/183 |
| 4,475,542 A | * | 10/1984 | Brossard       | ..... | 606/240 |
| D306,245 S  | * | 2/1990  | Akhtarekhavari | ..... | D6/601  |
| D321,562 S  | * | 11/1991 | Ljungvall      | ..... | D24/183 |
| 5,431,618 A | * | 7/1995  | Levi           | ..... | 482/142 |

**1 Claim, 1 Drawing Sheet**

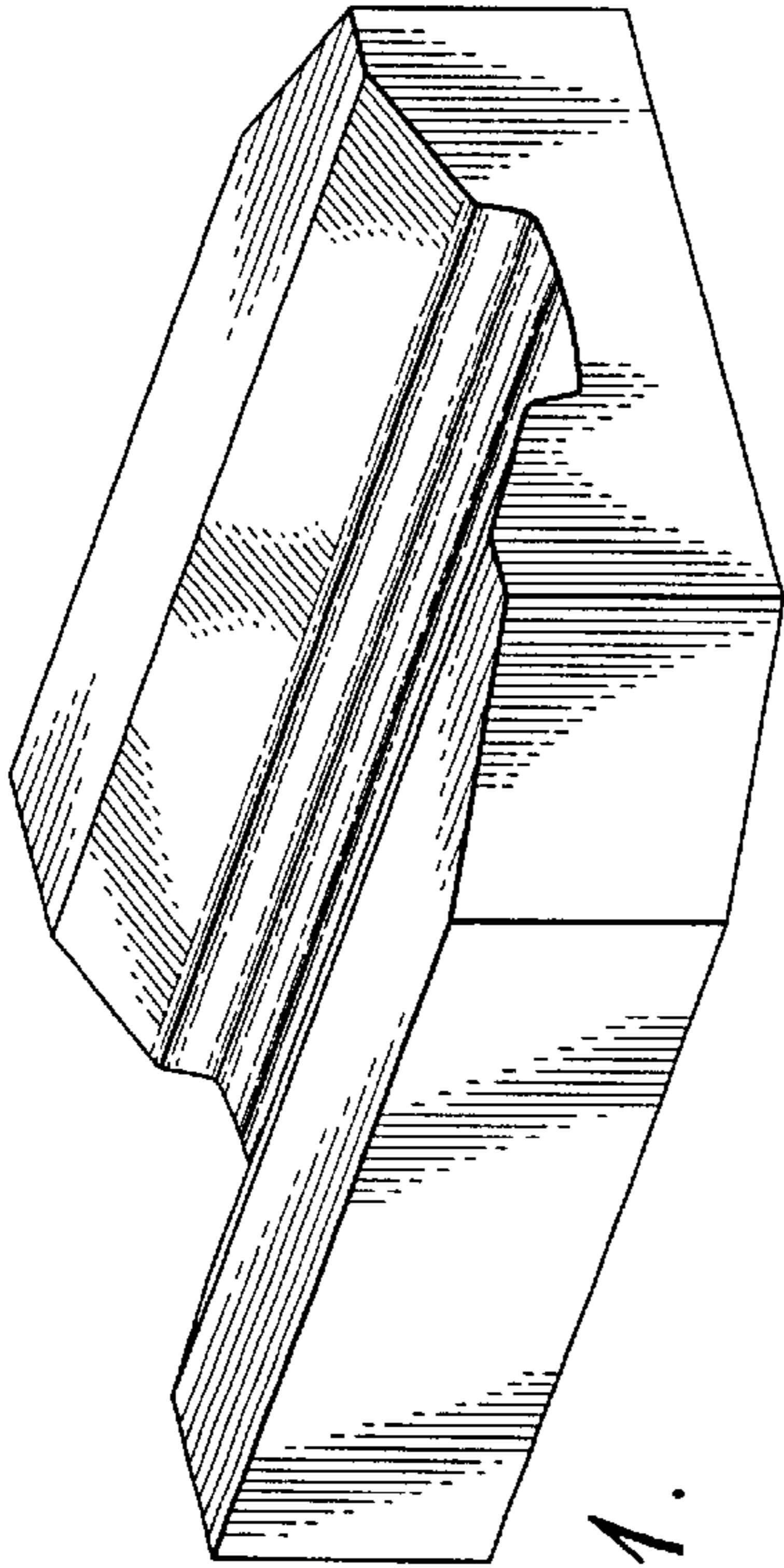




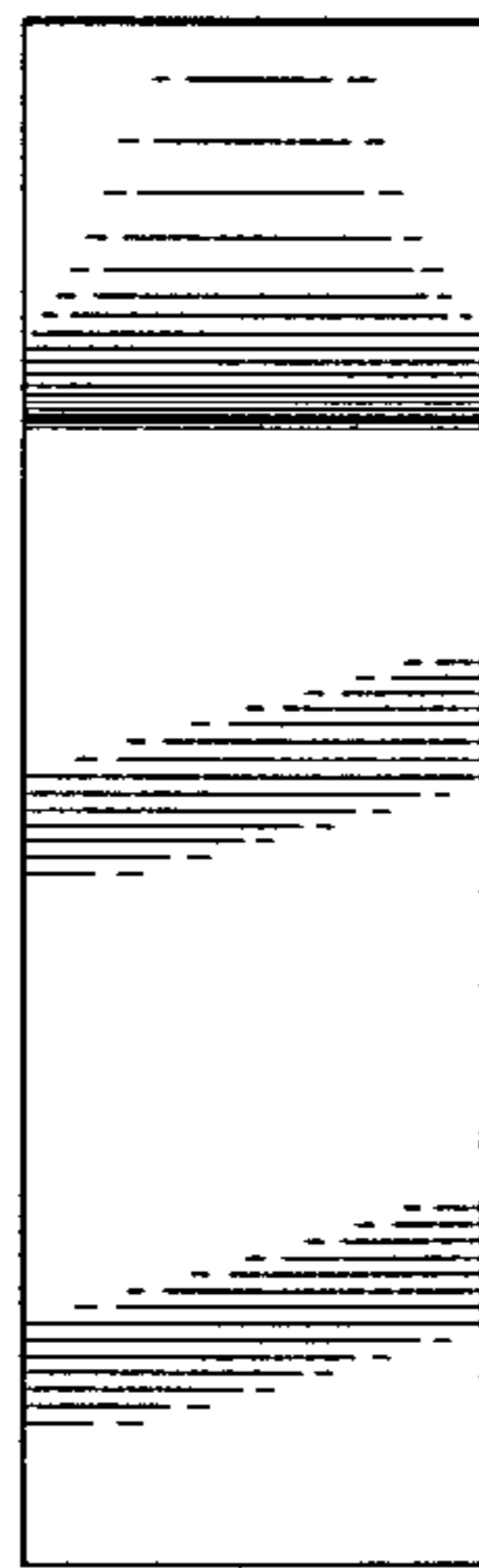
*Fig. 5.*



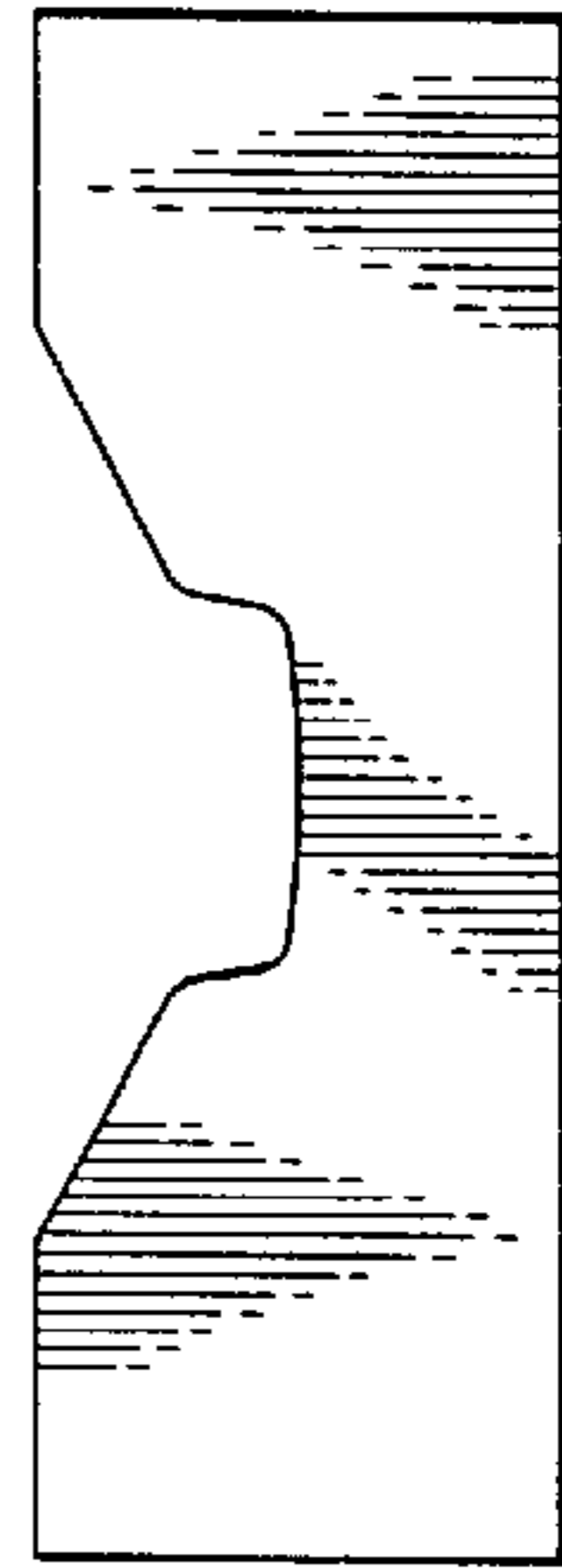
*Fig. 6.*



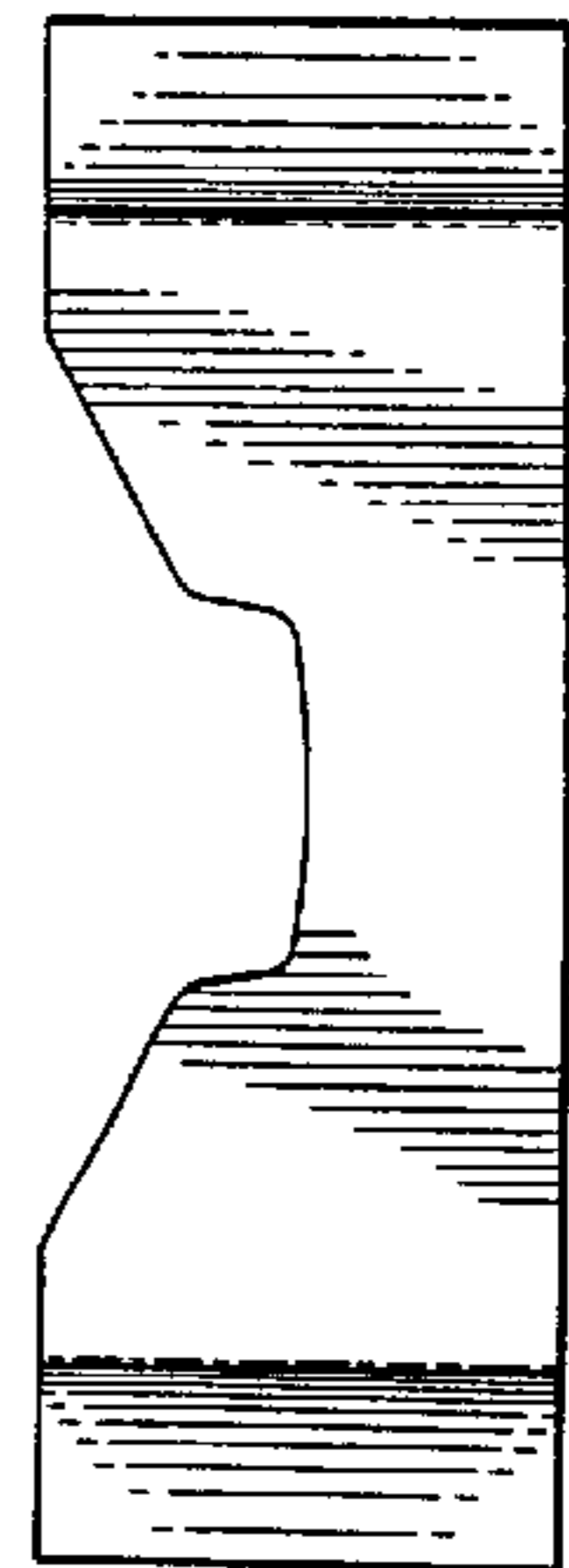
*Fig. 1.*



*Fig. 2.*



*Fig. 4.*



*Fig. 3.*