



US00D456905S

(12) **United States Design Patent** (10) **Patent No.:** **US D456,905 S**
Riley (45) **Date of Patent:** **** May 7, 2002**

(54) **RESTRAINING DEVICE**

(76) Inventor: **Timothy A. Riley**, 5327 Westport Rd., #107, Madison, WI (US) 53704

(**) Term: **14 Years**

(21) Appl. No.: **29/143,782**

(22) Filed: **Jun. 20, 2001**

(51) **LOC (7) Cl.** **24-01**

(52) **U.S. Cl.** **D24/183**

(58) **Field of Search** D24/188, 190; 5/621; 128/869

(56) **References Cited**

U.S. PATENT DOCUMENTS

D269,701 S	*	7/1983	Miller	D24/188
5,014,374 A	*	5/1991	Williams	5/628
5,329,934 A	*	7/1994	Bowman	128/845
D390,664 S	*	2/1998	Chun-Chung	D24/183

* cited by examiner

Primary Examiner—Stella Reid

(74) *Attorney, Agent, or Firm*—Joseph T. Leone, Esq.; DeWitt Ross & Stevens S.C.

(57) **CLAIM**

The ornamental design for a restraining device, as shown and described.

DESCRIPTION

FIG. 1 is a perspective view of a restraining device showing my new design;

FIG. 2 is a front elevational view thereof;

FIG. 3 is a rear elevational view thereof;

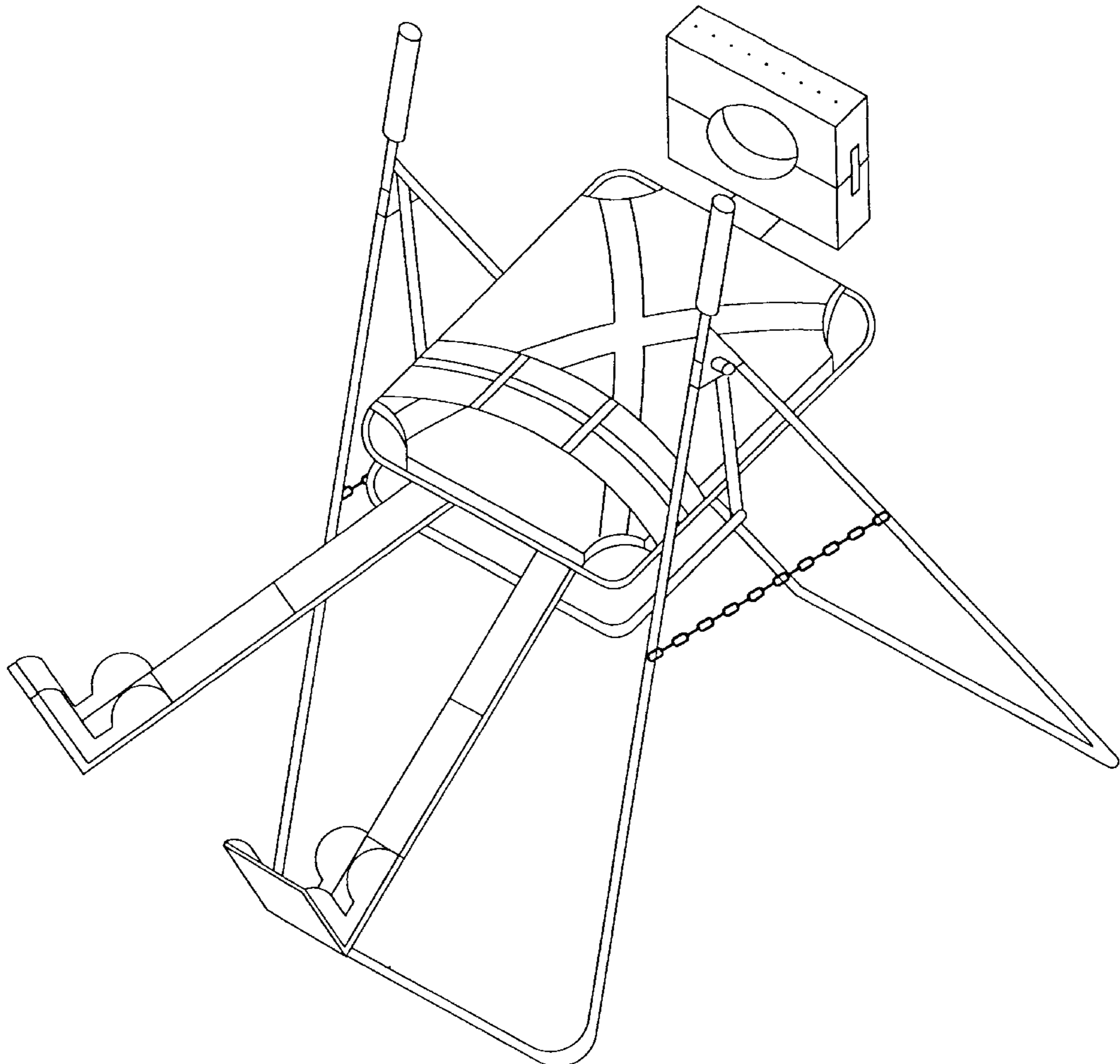
FIG. 4 is a right side elevational view thereof;

FIG. 5 is a left side elevational view thereof;

FIG. 6 is a top plan view thereof; and,

FIG. 7 is a bottom plan view thereof.

1 Claim, 7 Drawing Sheets



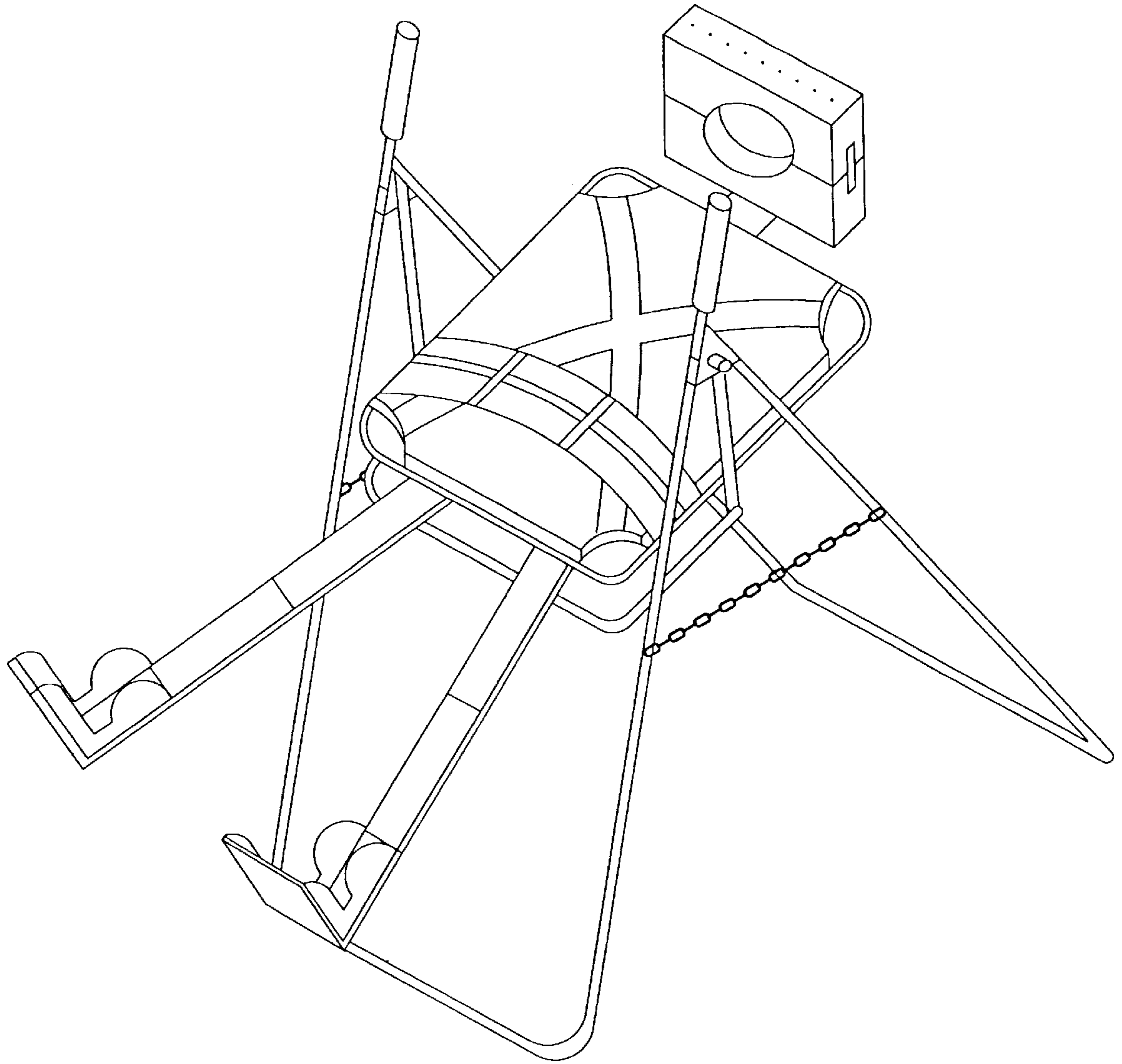


FIG. 1

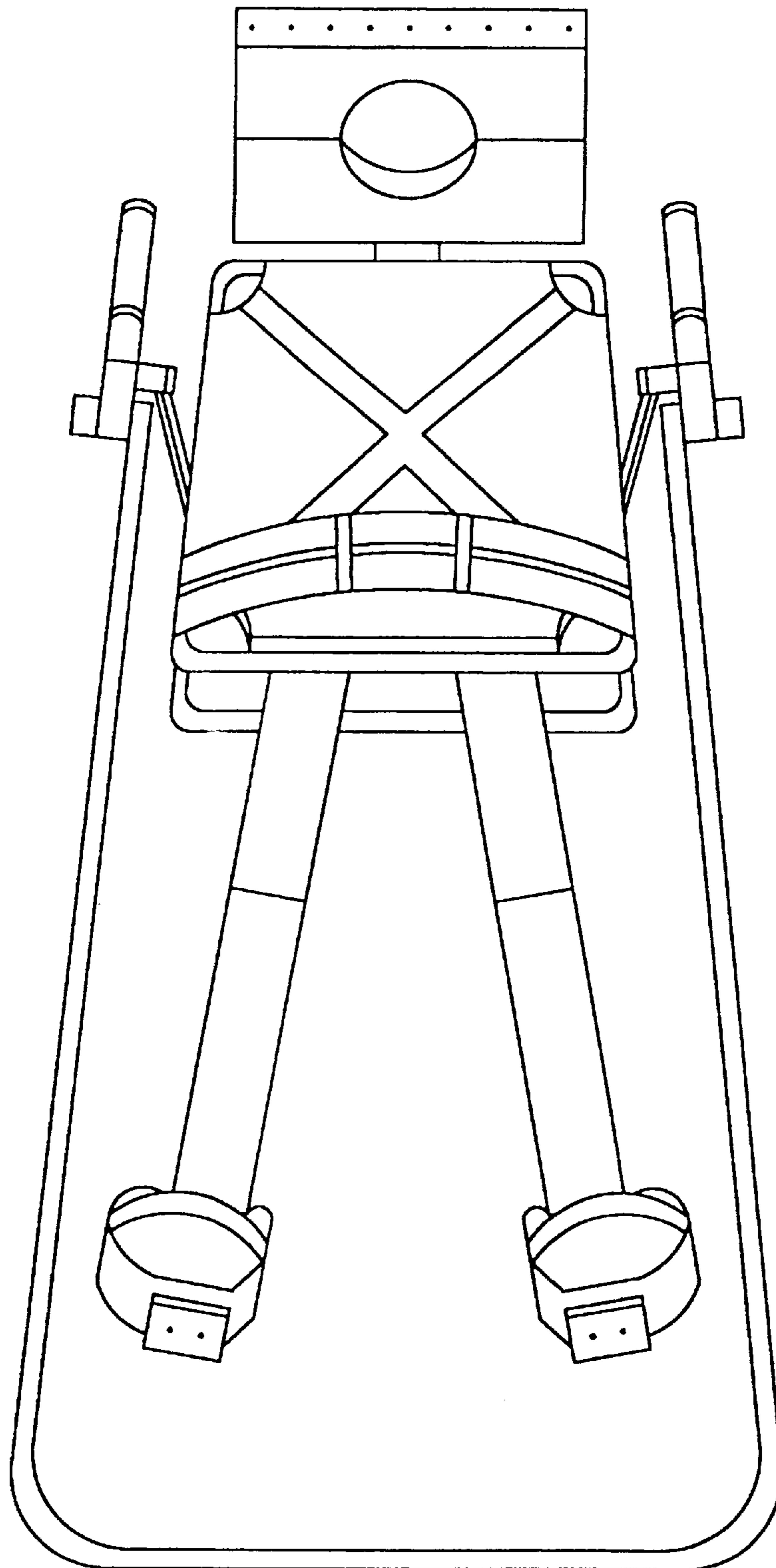


FIG. 2

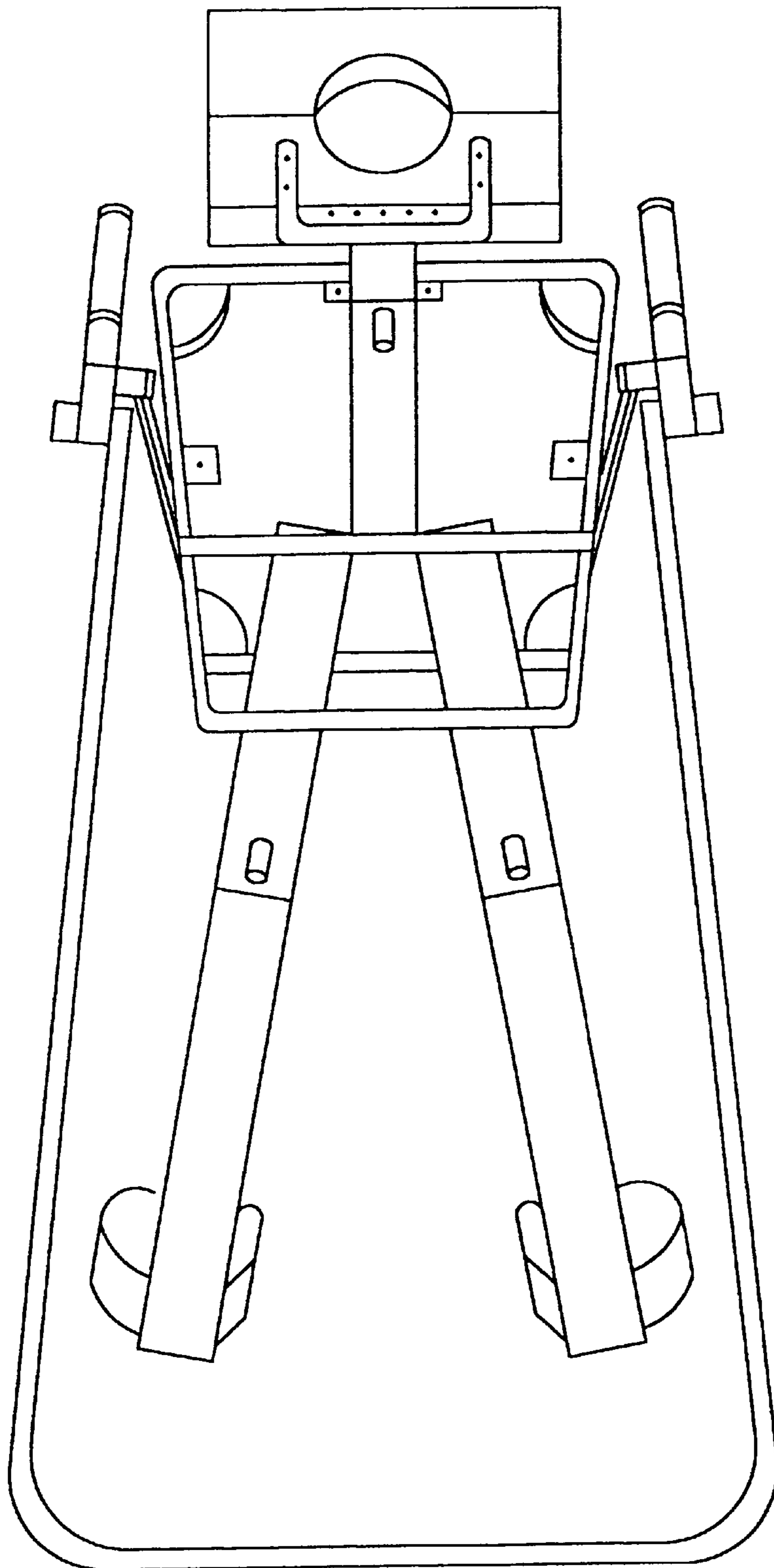


FIG. 3

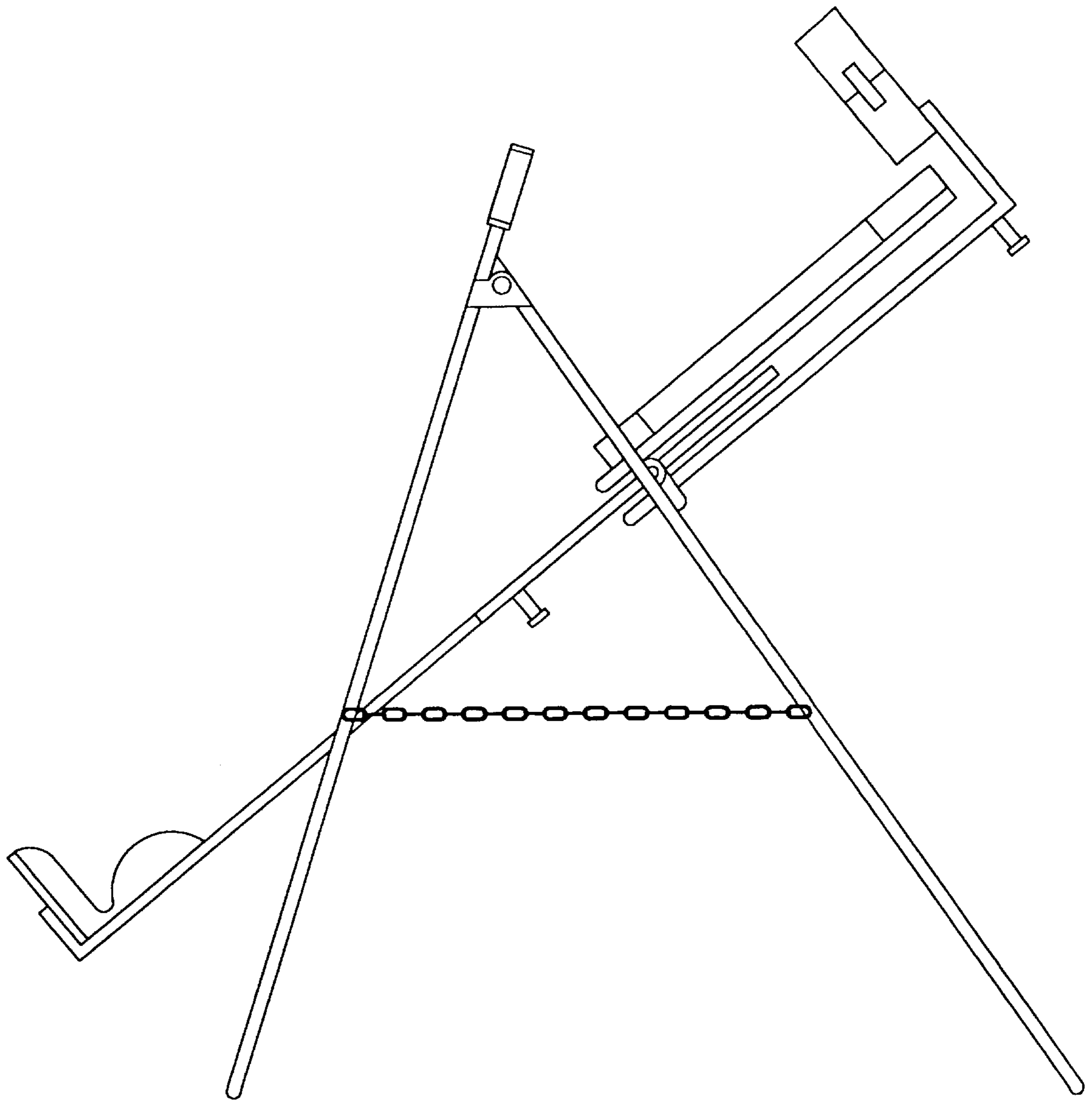


FIG. 4

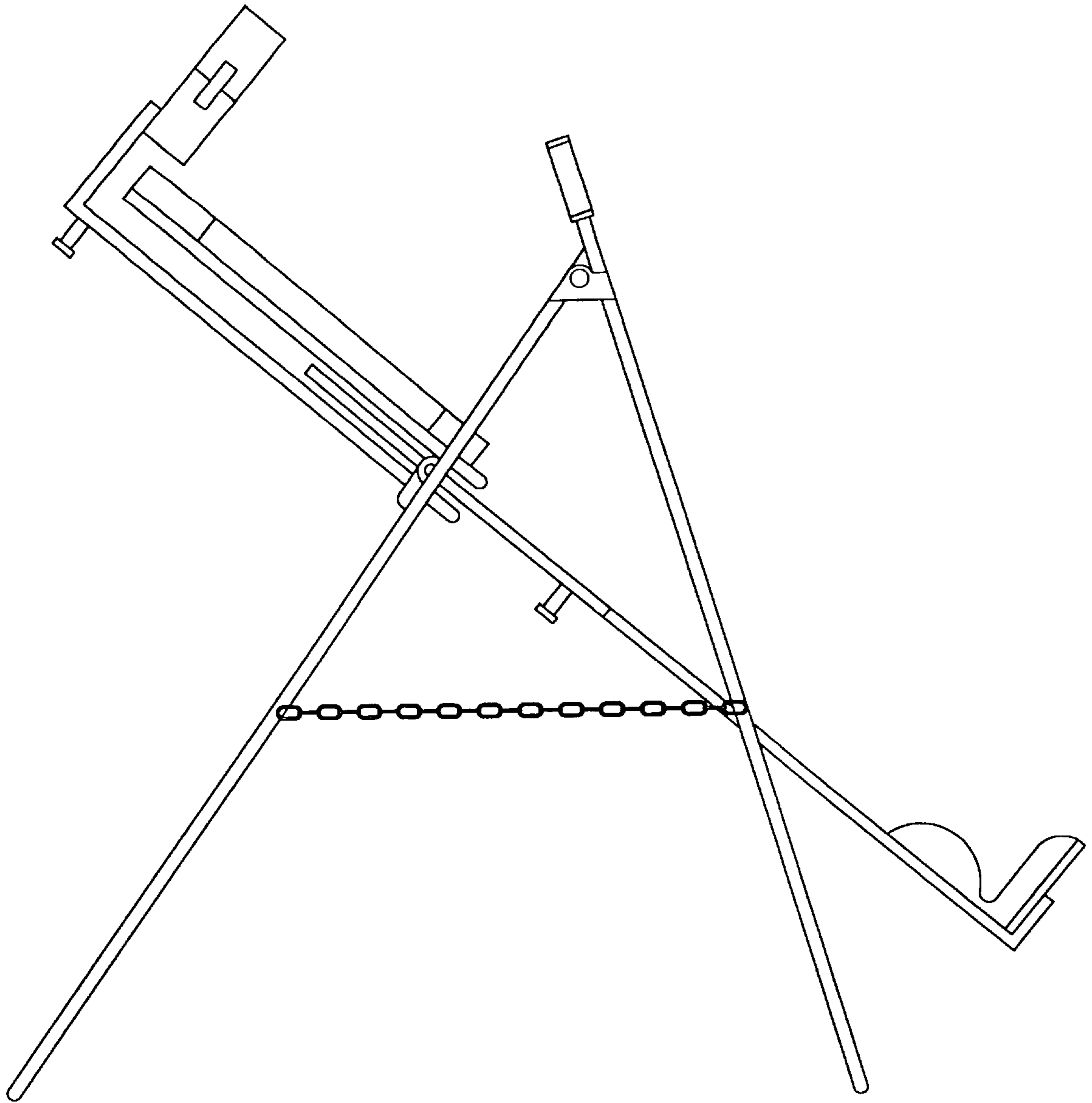


FIG. 5

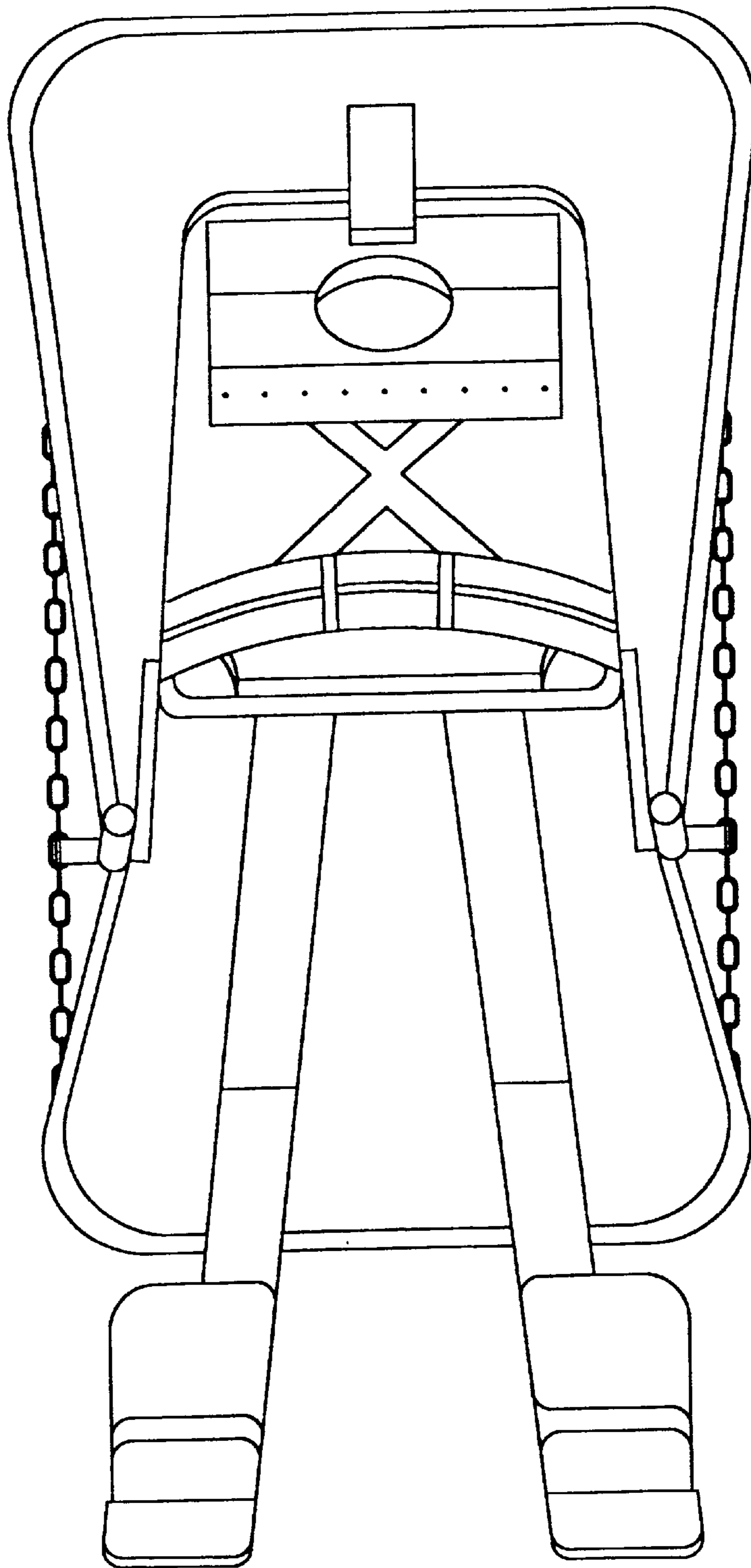


FIG. 6

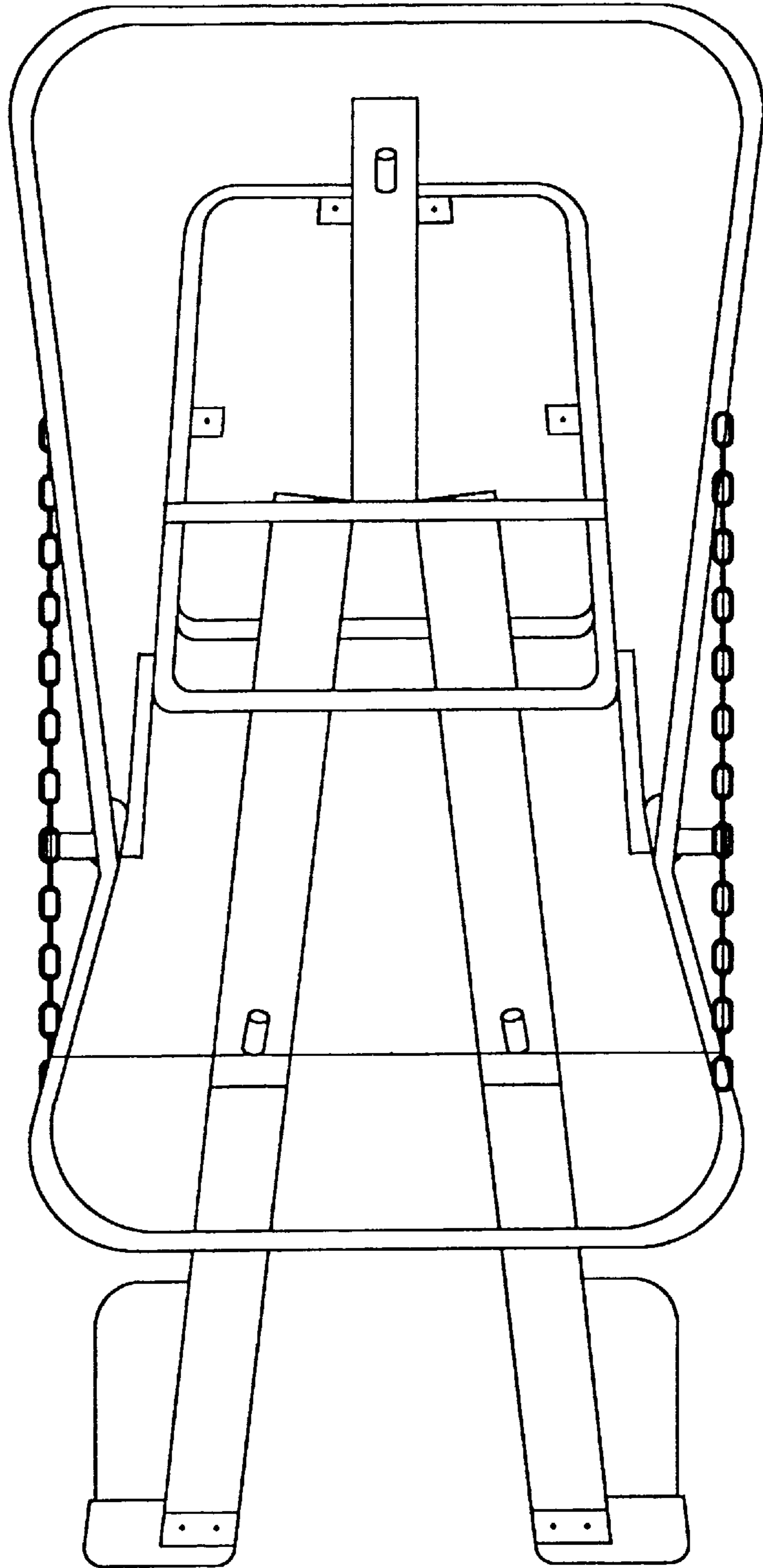


FIG. 7