



US00D456902S

(12) **United States Design Patent**  
**Huffman**

(10) **Patent No.:** **US D456,902 S**

(45) **Date of Patent:** **\*\* May 7, 2002**

- (54) **HOLLOW BODY FULL ARCH DENTAL MODEL BASE**
- (76) Inventor: **Ronald E. Huffman**, 725 Country Woodway, Sapulpa, OK (US) 74066
- (\*\*) Term: **14 Years**
- (21) Appl. No.: **29/141,571**
- (22) Filed: **May 9, 2001**
- (51) **LOC (7) Cl.** ..... **24-01**
- (52) **U.S. Cl.** ..... **D24/176**
- (58) **Field of Search** ..... **D24/176, 181;**  
249/124; 264/334; 433/6, 34, 60, 61, 64,  
74, 213

- 4,265,619 A 5/1981 Lucki et al.
- 4,283,173 A 8/1981 Browne et al.
- 4,301,357 A 11/1981 Huffman
- 4,359,464 A 11/1982 Weinstock
- 4,371,339 A 2/1983 Zeiser
- 4,378,929 A 4/1983 Huffman
- 4,382,787 A 5/1983 Huffman
- 4,398,884 A 8/1983 Huffman
- 4,439,151 A 3/1984 Whelan
- 4,443,192 A 4/1984 Blitz
- 4,449,930 A 5/1984 Huffman
- 4,449,931 A 5/1984 Saito

(List continued on next page.)

**FOREIGN PATENT DOCUMENTS**

- DE 3 436 094 A1 10/1984
- DE 3 505 680 A1 7/1985
- DE 3 521 137 A1 12/1986
- DE 3 825 014 A1 1/1990
- EP 0 210 484 A2 2/1985
- EP 0 151 086 A2 8/1985
- EP 0 277 026 A2 8/1988
- EP 0 291 821 A1 11/1988
- EP 0 528 335 A1 2/1993
- FR 2 750 851 A1 1/1998
- GB 866118 4/1961
- GB 886118 1/1962
- WO WO 88/10101 12/1988

(56) **References Cited**  
**U.S. PATENT DOCUMENTS**

- 921,791 A 5/1909 Benson
- 967,086 A 8/1910 Tuttle
- 1,013,028 A 12/1911 Lee
- 1,745,570 A 2/1930 Dimelow
- 1,772,027 A 8/1930 Baugarten
- 1,780,117 A 10/1930 Craigo
- 2,031,996 A 2/1936 Zelesnick
- 2,398,671 A 4/1946 Saffir
- 2,585,857 A 2/1952 Schwartz
- 2,842,845 A 7/1958 Carlson
- 3,453,736 A 7/1969 Waltke
- 3,478,428 A 11/1969 Stengel
- 3,518,761 A 7/1970 Susman et al.
- 3,581,398 A 6/1971 Thomas
- 3,934,348 A 1/1976 Janjic
- 3,937,773 A 2/1976 Huffman
- 3,969,820 A 7/1976 Kulig et al.
- 4,021,916 A 5/1977 Spalten
- 4,022,419 A 5/1977 Haker
- 4,116,416 A 9/1978 Segura
- 4,122,606 A 10/1978 Roman
- 4,127,939 A 12/1978 Samuel et al.
- 4,203,219 A 5/1980 Wiener
- 4,240,605 A 12/1980 Waltke
- 4,242,812 A 1/1981 Randall et al.

*Primary Examiner*—Antoine Duval Davis  
(74) *Attorney, Agent, or Firm*—Merchant & Gould P.C.

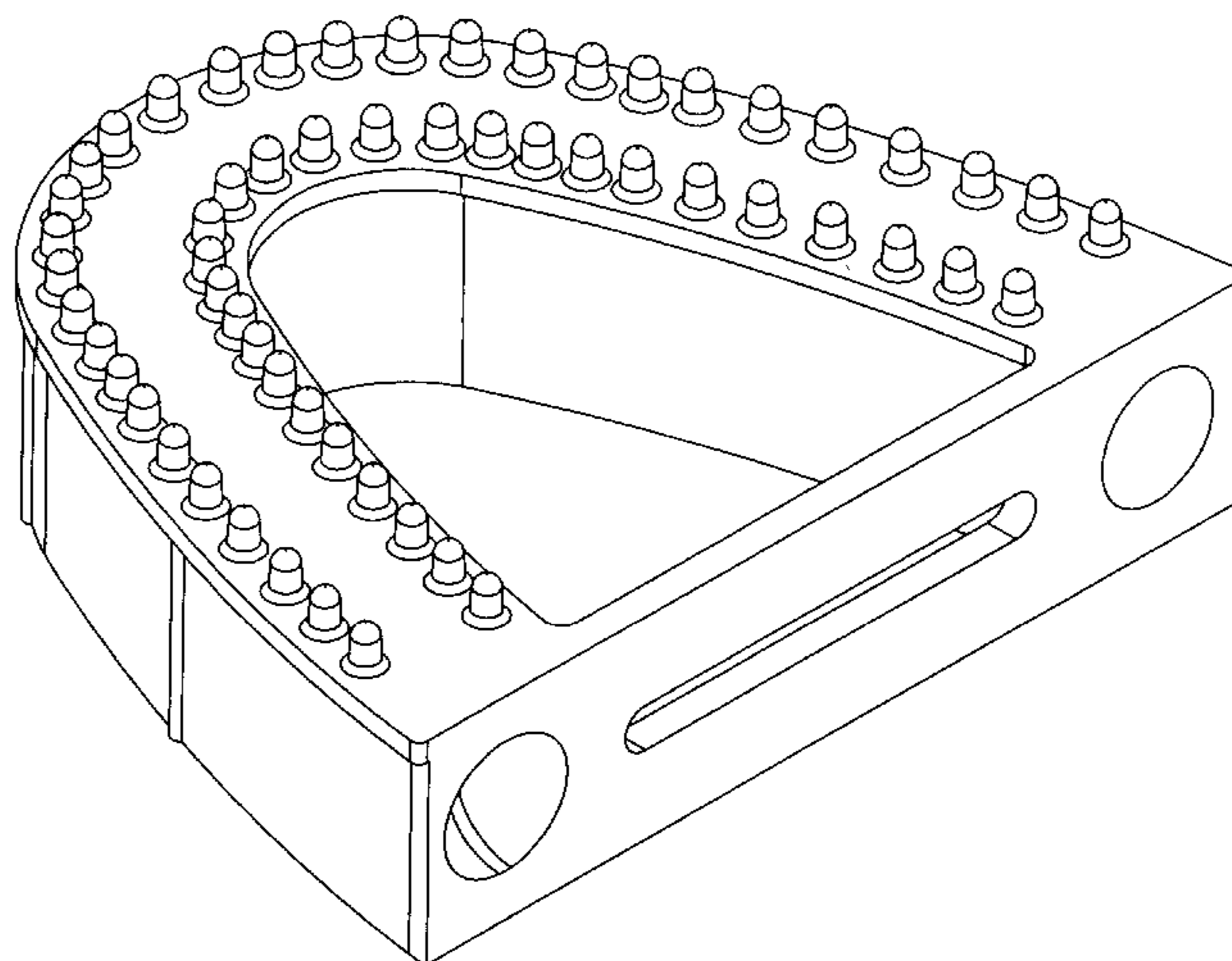
(57) **CLAIM**

The ornamental design for hollow body full arch dental model base, as shown and described.

**DESCRIPTION**

FIG. 1 is a perspective view of the present invention.  
FIG. 2 is a top plan view thereof.  
FIG. 3 is a bottom plan view thereof.  
FIG. 4 is a side view thereof.  
FIG. 5 is a front elevation view thereof; and,  
FIG. 6 is a rear elevation view thereof.

**1 Claim, 4 Drawing Sheets**



# US D456,902 S

Page 2

## U.S. PATENT DOCUMENTS

4,459,110 A	7/1984	Jackson	RE33,099 E	10/1989	Shoher et al.
4,473,353 A	9/1984	Greggs	D305,361 S	1/1990	Huffman
4,481,162 A	11/1984	Huffman	D305,362 S	1/1990	Huffman
4,494,934 A	1/1985	Huffman	D306,206 S	2/1990	Huffman
4,521,188 A	6/1985	Metzler	4,898,359 A	2/1990	Gopon
4,533,323 A	8/1985	Huffman	RE33,271 E	7/1990	Shoher et al.
4,538,987 A	9/1985	Weissman	4,940,409 A	7/1990	Nordin
4,548,581 A	10/1985	Huffman	4,980,124 A	12/1990	Dimmer
D283,541 S	4/1986	Huffman	5,028,235 A	7/1991	Smith
D283,542 S	4/1986	Huffman	5,049,075 A	9/1991	Barrut
D283,639 S	4/1986	Huffman	5,076,789 A	12/1991	Tanaka
D283,730 S	5/1986	Huffman	5,098,290 A	3/1992	Honstein et al.
4,608,016 A	8/1986	Zeiser	5,197,874 A	3/1993	Silva et al.
D286,179 S	10/1986	Huffman	5,207,574 A	5/1993	Garland
D286,436 S	10/1986	Huffman	5,352,117 A	10/1994	Silva
4,645,454 A	2/1987	Amdur et al.	5,393,227 A	2/1995	Nooning
D289,924 S	5/1987	Huffman	5,466,152 A	11/1995	Walter
4,671,770 A	6/1987	Bell et al.	5,470,231 A	11/1995	Stern
4,708,648 A	11/1987	Weissman	5,501,600 A	3/1996	Johnson
4,708,835 A	11/1987	Kiefer	5,766,007 A	6/1998	Huffman
4,721,464 A	1/1988	Roden et al.	5,769,634 A	6/1998	Choi
4,734,033 A	3/1988	Huffman	5,775,899 A	7/1998	Huffman
4,767,330 A	8/1988	Burger	5,788,489 A	8/1998	Huffman
4,767,331 A	8/1988	Hoe	5,788,490 A	8/1998	Huffman
4,834,651 A	5/1989	Fenick	5,800,166 A	9/1998	Huffman
4,842,242 A	6/1989	Huffman	5,807,099 A	9/1998	Johnson
D302,456 S	7/1989	Huffman	5,868,569 A	2/1999	Huffman
D302,587 S	8/1989	Huffman	D429,815 S *	8/2000	Huffman ..... D24/176
D302,724 S	8/1989	Huffman	D430,672 S	9/2000	Huffman
D302,725 S	8/1989	Huffman	D444,559 S *	7/2001	Huffman ..... D24/176

\* cited by examiner

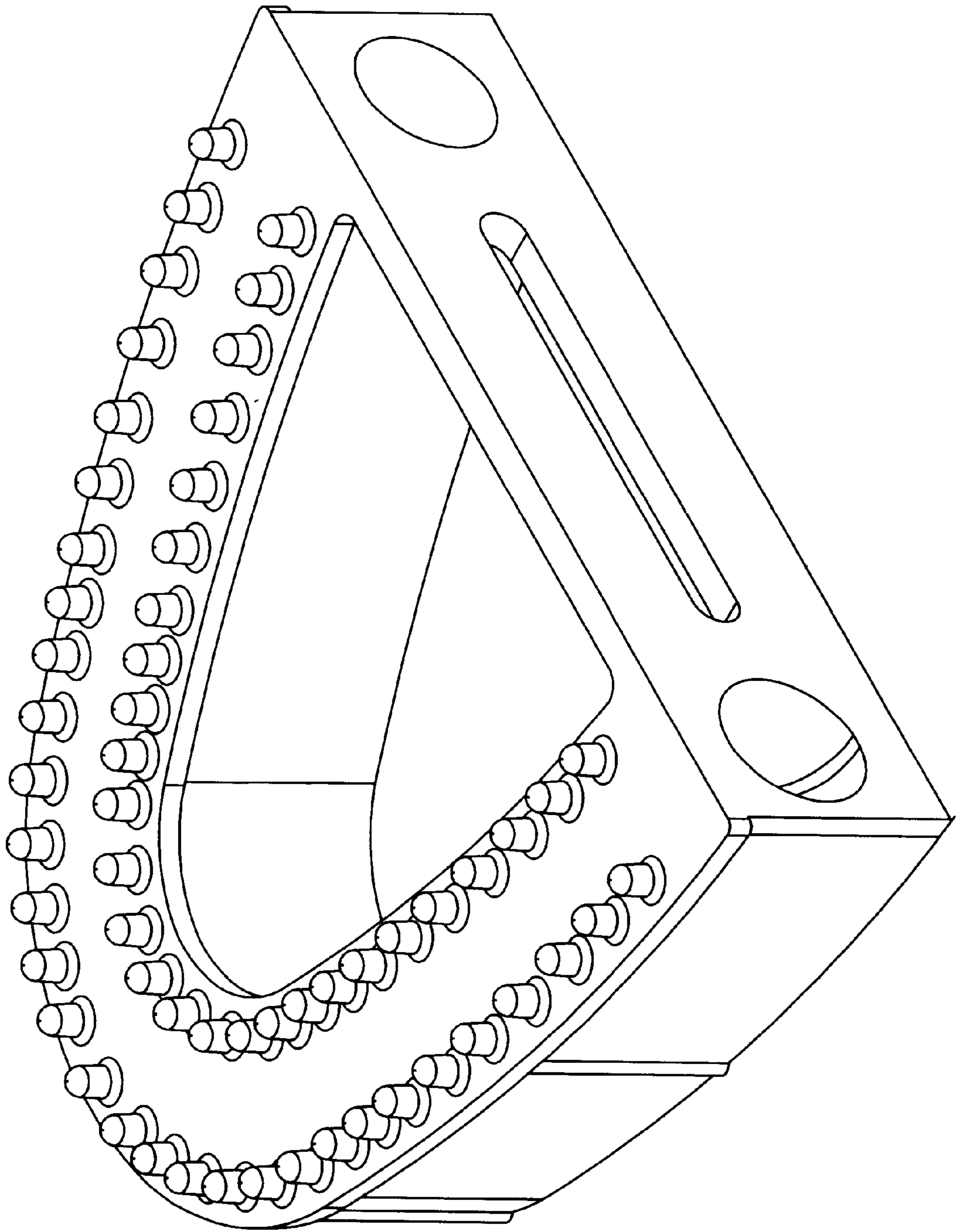


FIG. 1

FIG.2

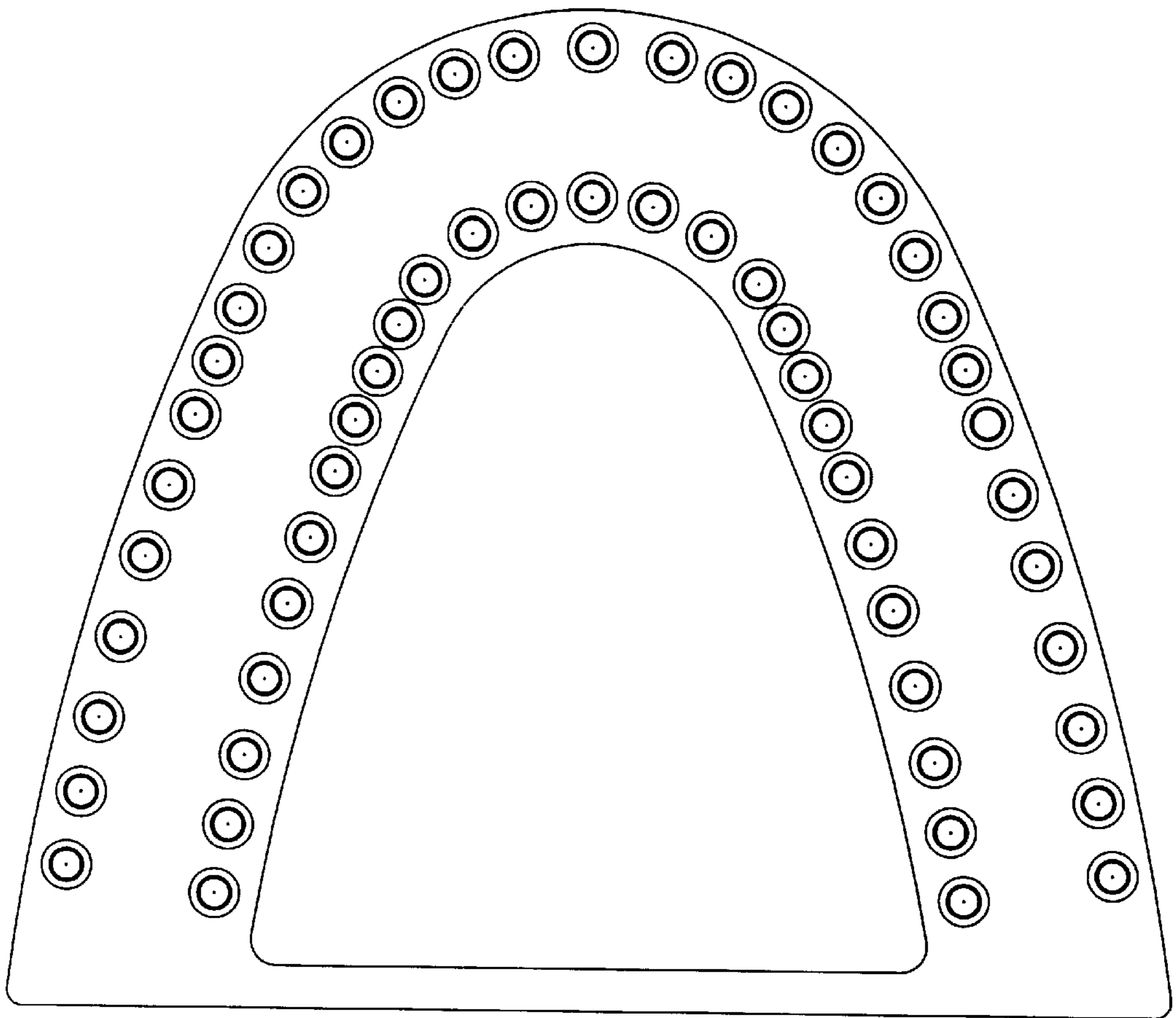


FIG.3

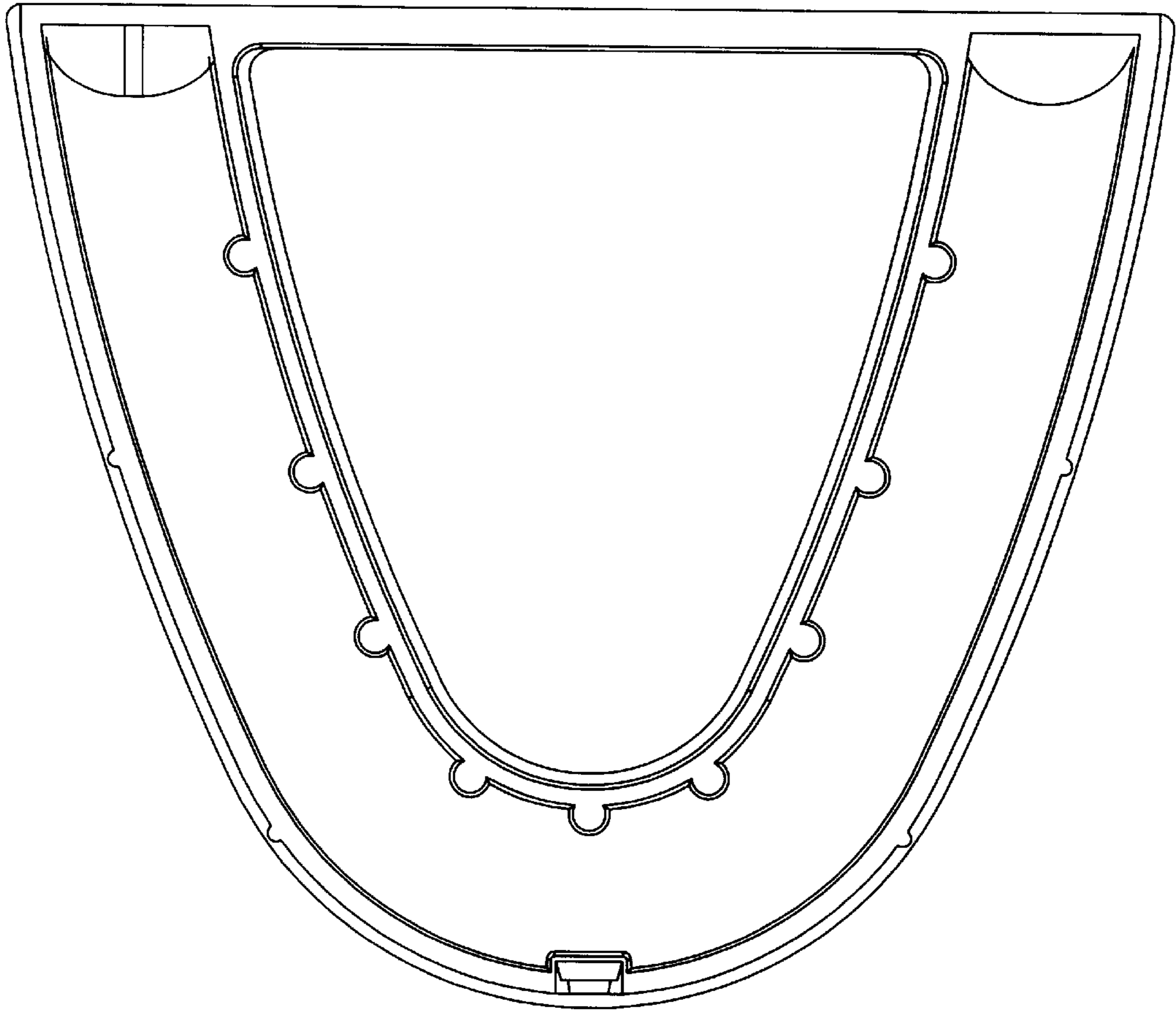


FIG.4

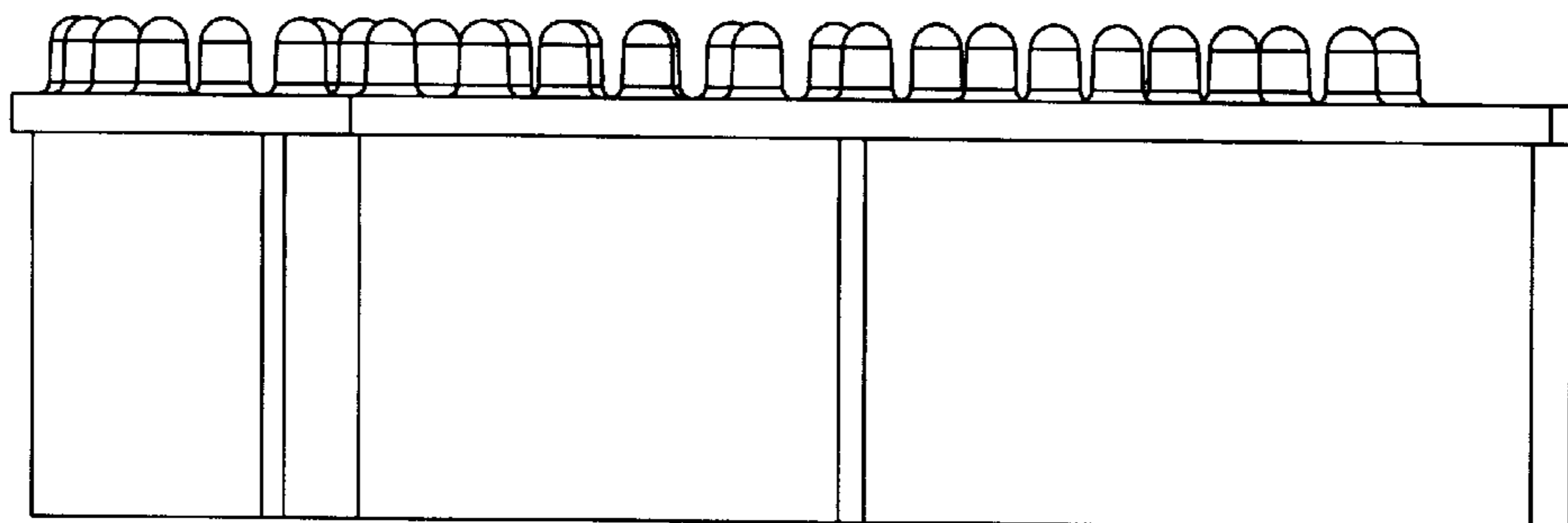


FIG.5

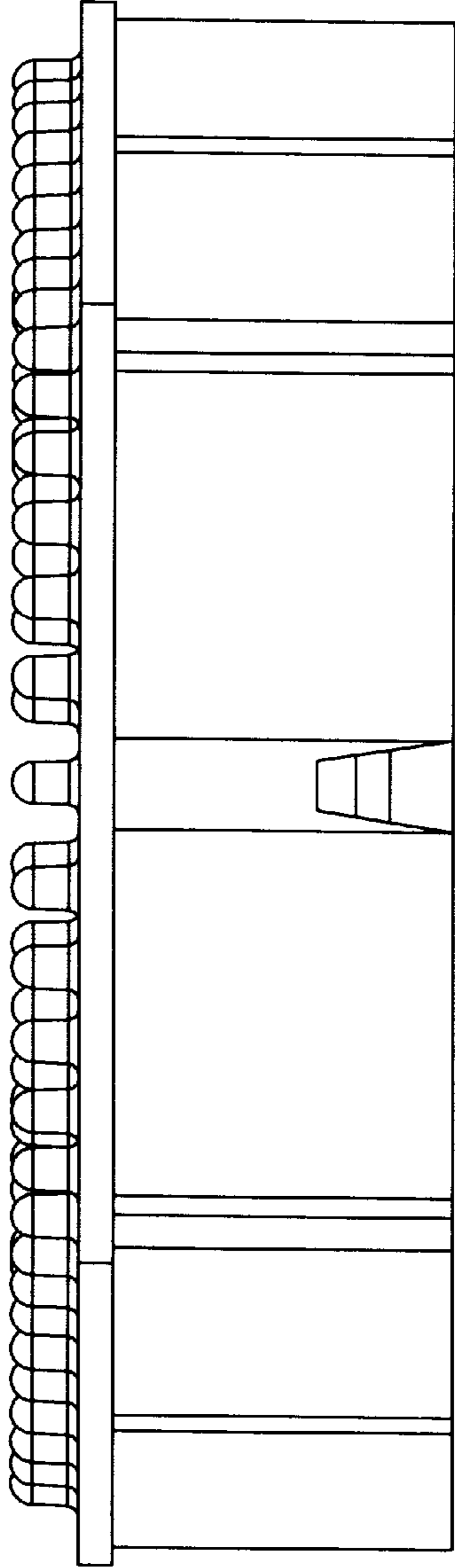


FIG.6

