



US00D456898S

(12) **United States Design Patent**
Yang

(10) **Patent No.:** **US D456,898 S**

(45) **Date of Patent:** **** May 7, 2002**

(54) **DISPOSABLE FEMALE URINE SAMPLE CUP
HOLDER**

5,060,317 A * 10/1991 Bertelsen 4/144.2
5,148,553 A * 9/1992 Jermann 4/144.1
D340,768 S * 10/1993 Jabour D24/122
5,409,473 A * 4/1995 Rosenshein 600/574

(76) Inventor: **Hsuan Yang**, P.O. Box No. 6-57,
Chung-Ho City, Taipei Hsien 235 (TW)

* cited by examiner

(**) Term: **14 Years**

Primary Examiner—Ian Simmons

(21) Appl. No.: **29/143,525**

(57) **CLAIM**

(22) Filed: **Jun. 18, 2001**

The ornamental design for a disposable female urine sample cup holder, as shown and described.

(51) **LOC (7) Cl.** **24-04**

DESCRIPTION

(52) **U.S. Cl.** **D24/122; D24/128**

(58) **Field of Search** D24/122, 128,
D24/224; 600/574, 573; 604/331, 329;
4/144.2, 144.3, 144.1; 422/103, 104

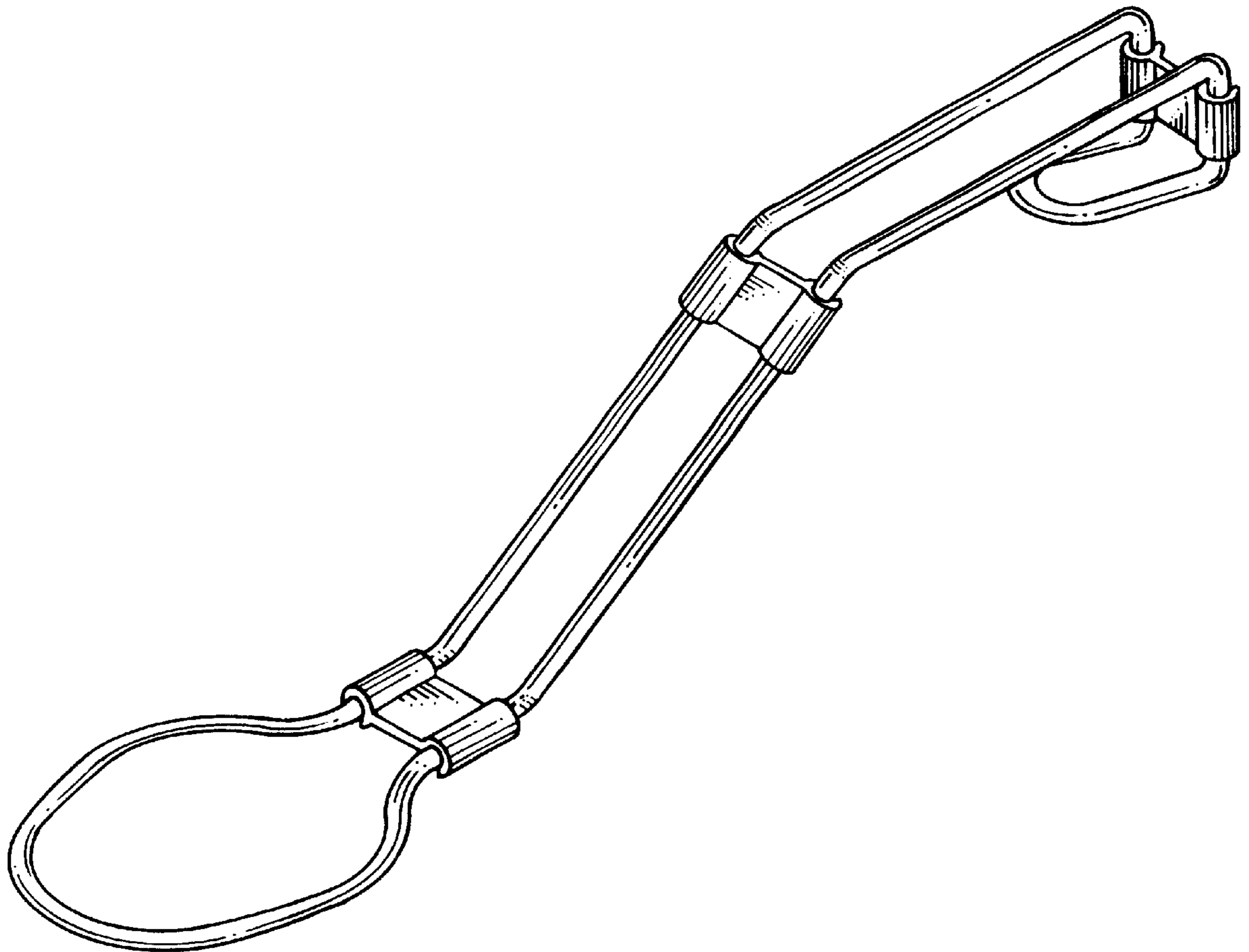
FIG. 1 is a perspective view thereof;
FIG. 2 is a front view thereof;
FIG. 3 is a back view thereof;
FIG. 4 is a right side view thereof;
FIG. 5 is a left side view thereof;
FIG. 6 is a top view thereof; and,
FIG. 7 is a bottom view thereof.

(56) **References Cited**

U.S. PATENT DOCUMENTS

3,466,145 A * 9/1969 Van Duyne 422/103
3,625,654 A * 12/1971 Van Duyne D24/122

1 Claim, 4 Drawing Sheets



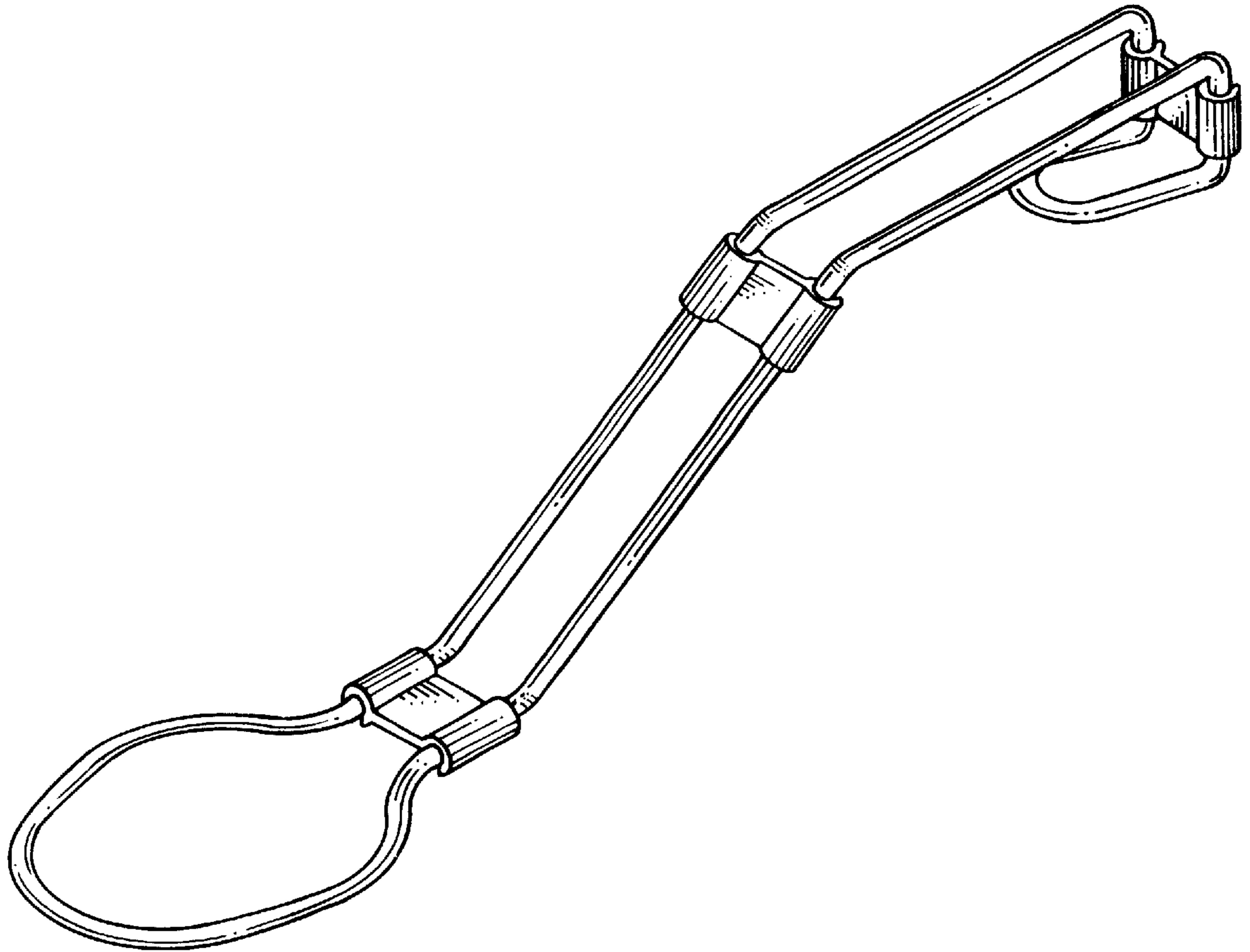


FIG. 1

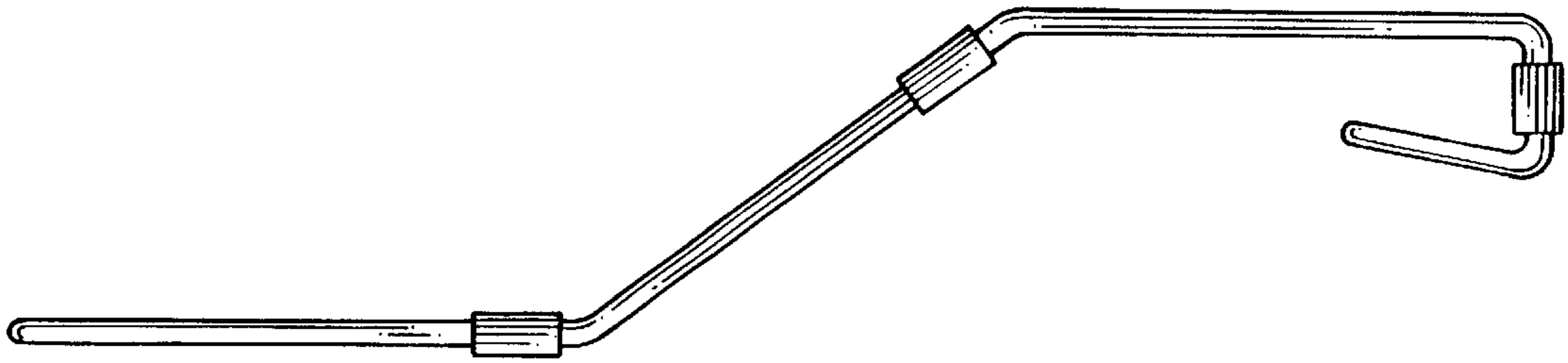


FIG. 2

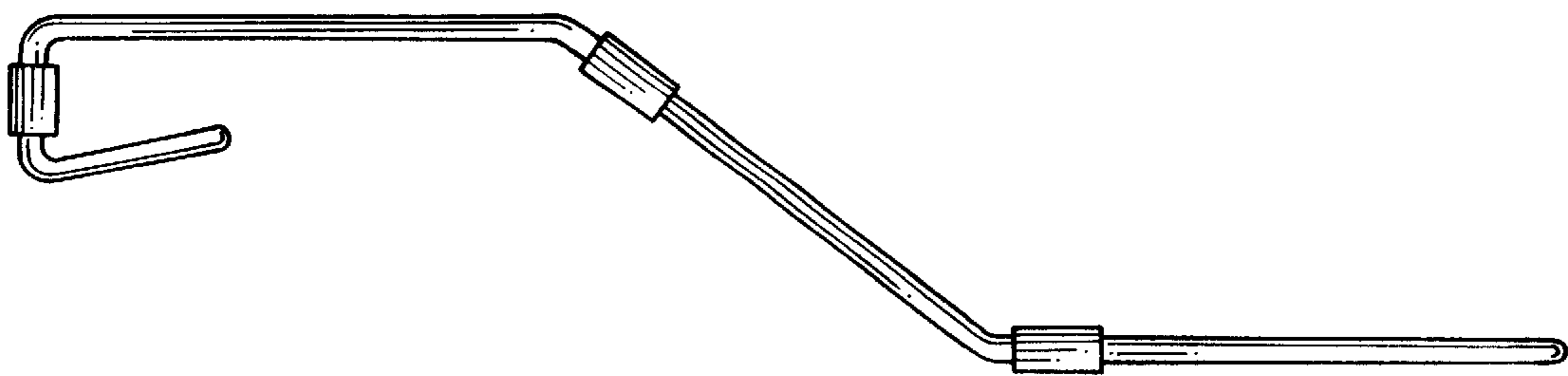


FIG. 3

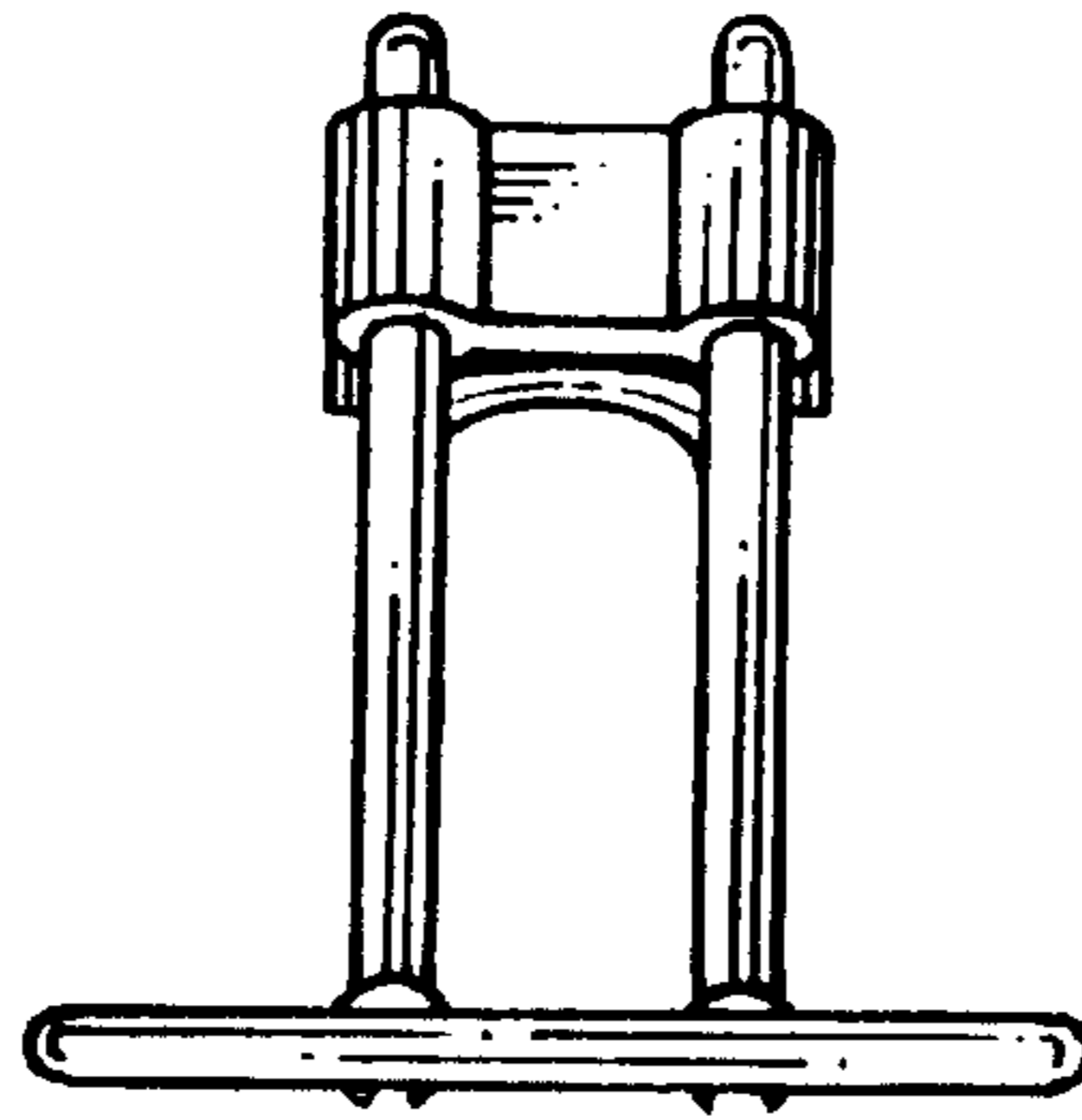


FIG. 4

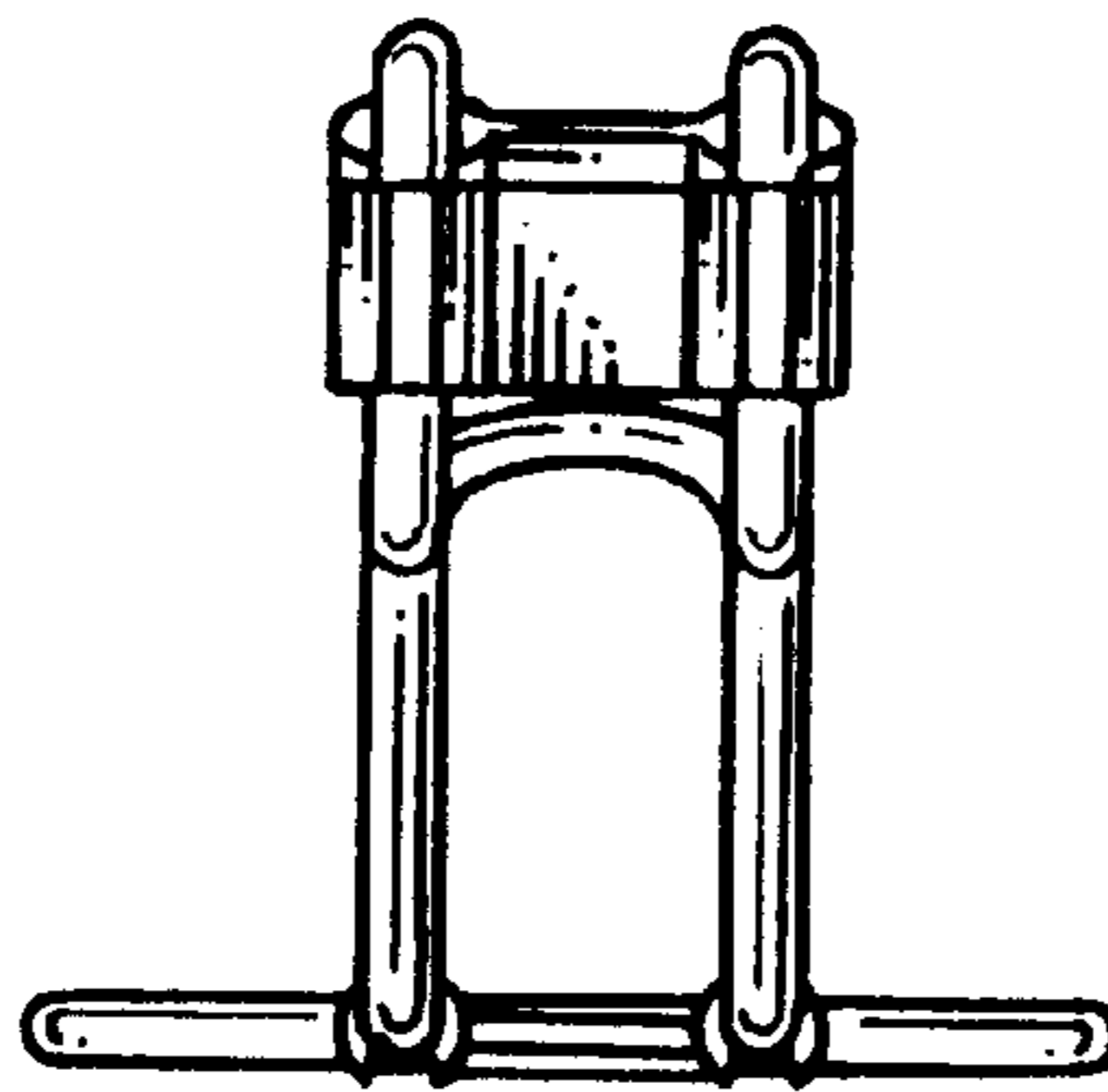


FIG. 5

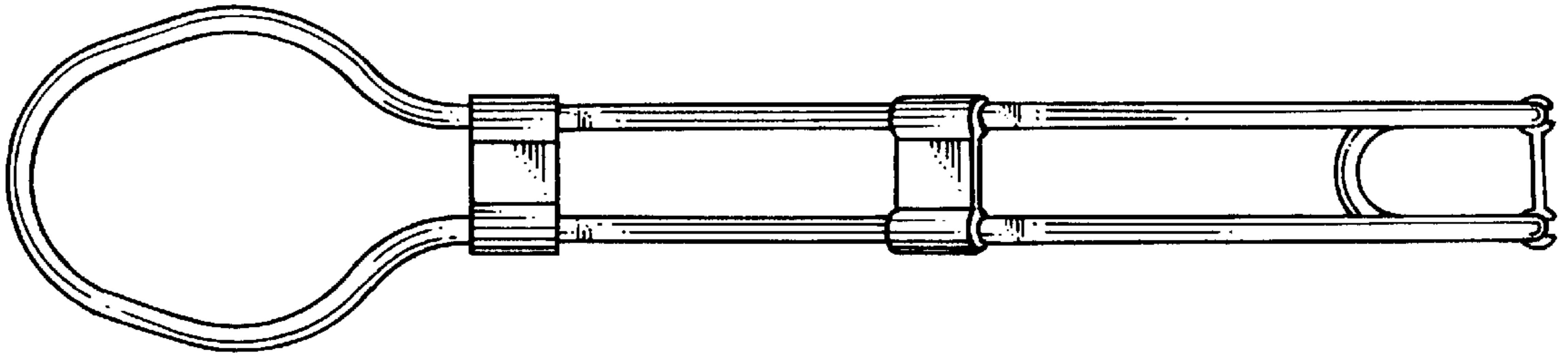


FIG. 6

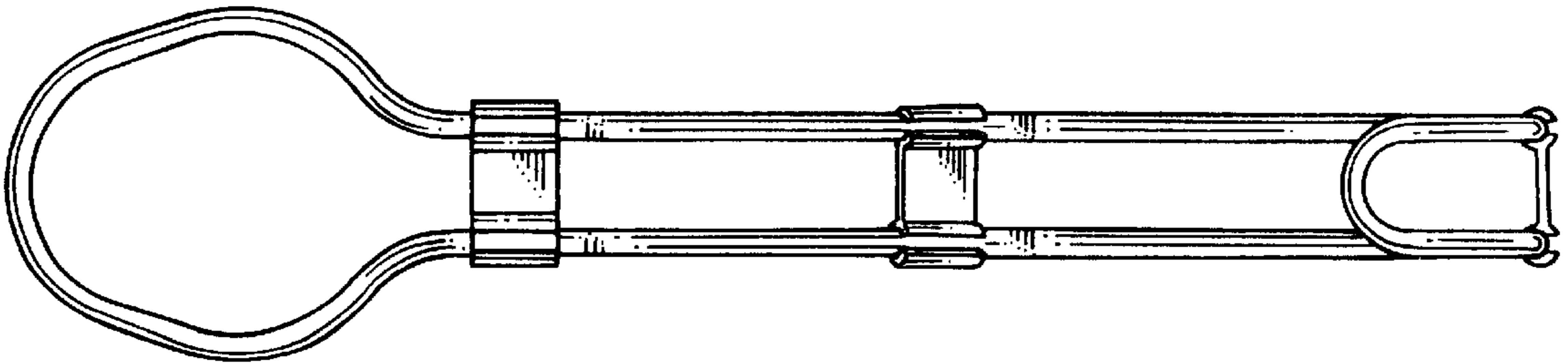


FIG. 7