



US00D456895S

(12) **United States Design Patent**  
**Sakai et al.**

(10) **Patent No.:** **US D456,895 S**

(45) **Date of Patent:** **\*\* May 7, 2002**

(54) **METER FOR MEASURING BODY FAT RATE**

(75) Inventors: **Tomoki Sakai**, Tokyo; **Hideki Shimizu**, Hanno; **Toshiaki Uchida**, Sayama, all of (JP)

(73) Assignee: **Citizen Watch Co., Ltd.**, Tokyo (JP)

(\*\*) Term: **14 Years**

(21) Appl. No.: **29/136,821**

(22) Filed: **Feb. 8, 2001**

(30) **Foreign Application Priority Data**

Dec. 26, 2000 (JP) ..... 2000-037128

(51) **LOC (7) Cl.** ..... **24-01**

(52) **U.S. Cl.** ..... **D24/107**

(58) **Field of Search** ..... D24/107; 600/547, 600/587; D14/117.1, 117.9; 128/734

(56) **References Cited**

**U.S. PATENT DOCUMENTS**

4,947,862 A \* 8/1990 Kelly ..... 128/734

5,372,141 A \* 12/1994 Gallup et al. .... 128/734  
5,415,176 A \* 5/1995 Sato et al. .... 128/734  
5,817,031 A \* 10/1998 Masuo et al. .... 600/547  
D424,191 S \* 5/2000 Sarrazin ..... D24/107  
6,198,964 B1 \* 3/2001 Oguma ..... 600/547

\* cited by examiner

*Primary Examiner*—Stella Reid

(74) *Attorney, Agent, or Firm*—Pillsbury Winthrop LLP

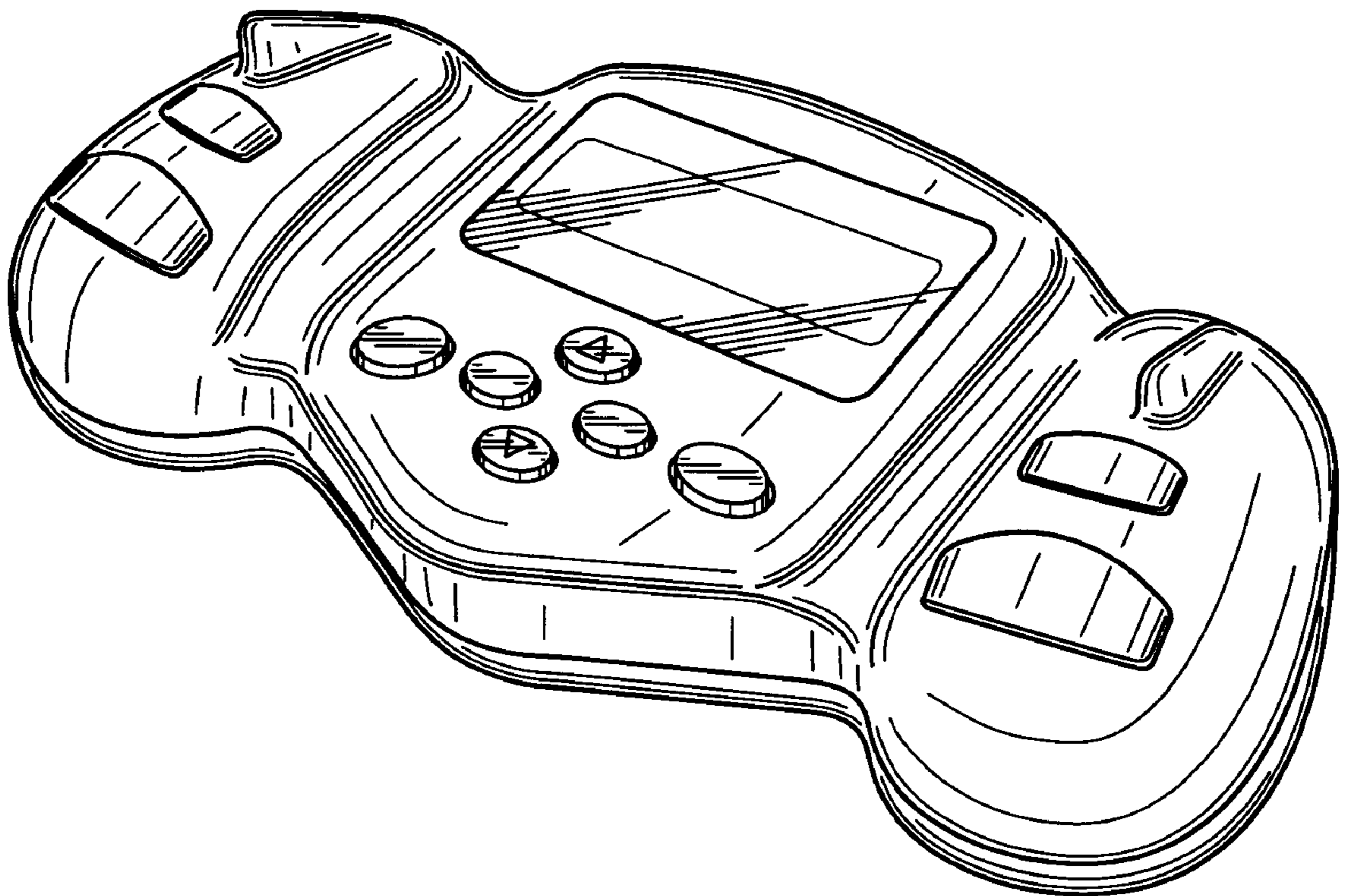
(57) **CLAIM**

The ornamental design for a meter for measuring body fat rate, as shown and described.

**DESCRIPTION**

FIG. 1 is a top, front and right side perspective view of a meter for measuring body fat rate showing our new design, FIG. 2 is a front elevational view thereof, FIG. 3 is a rear elevational view thereof, FIG. 4 is a right side elevational view thereof, FIG. 5 is a left side elevational view thereof, FIG. 6 is a top plan view thereof; and, FIG. 7 is a bottom plan view thereof.

**1 Claim, 4 Drawing Sheets**



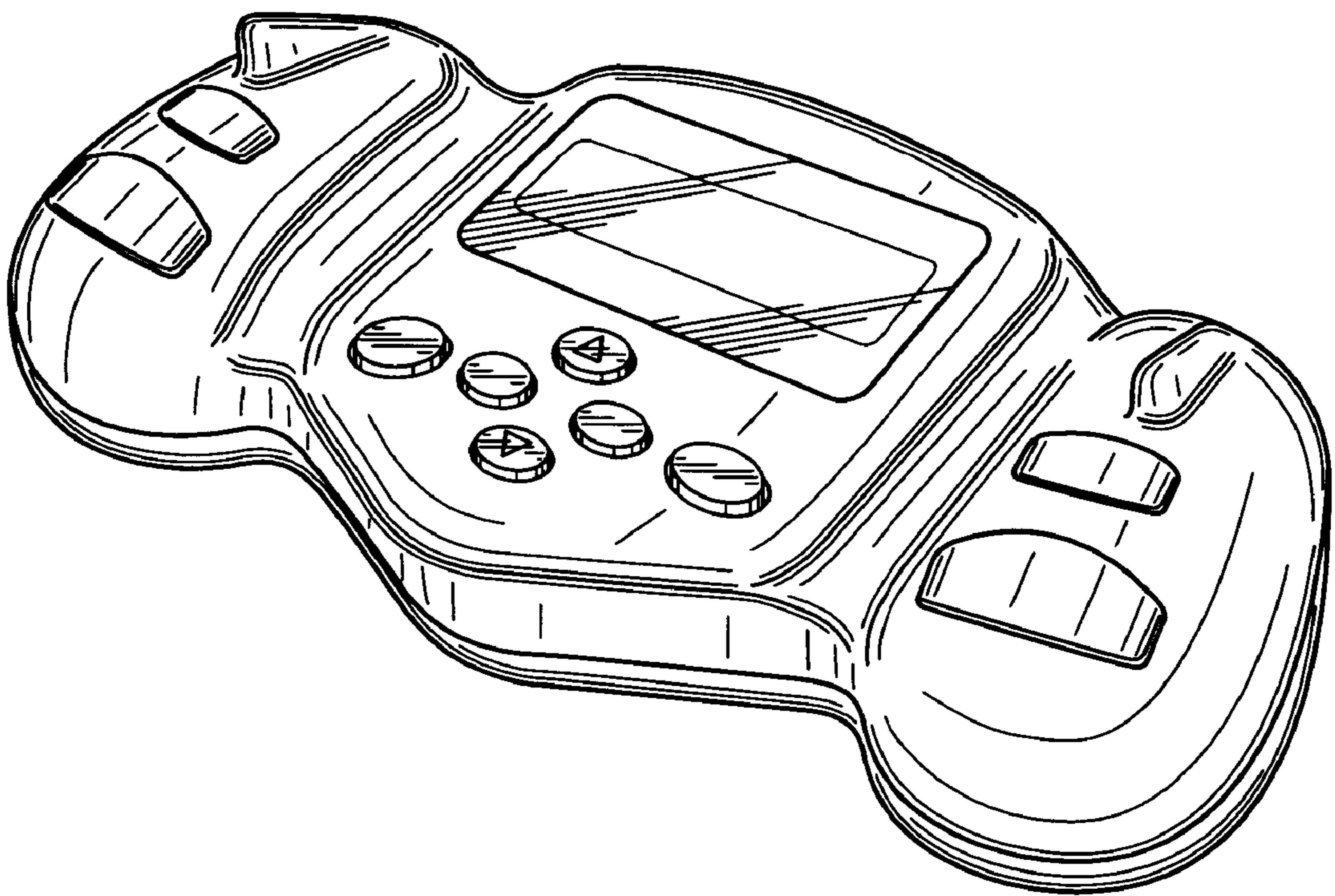


FIG. 1

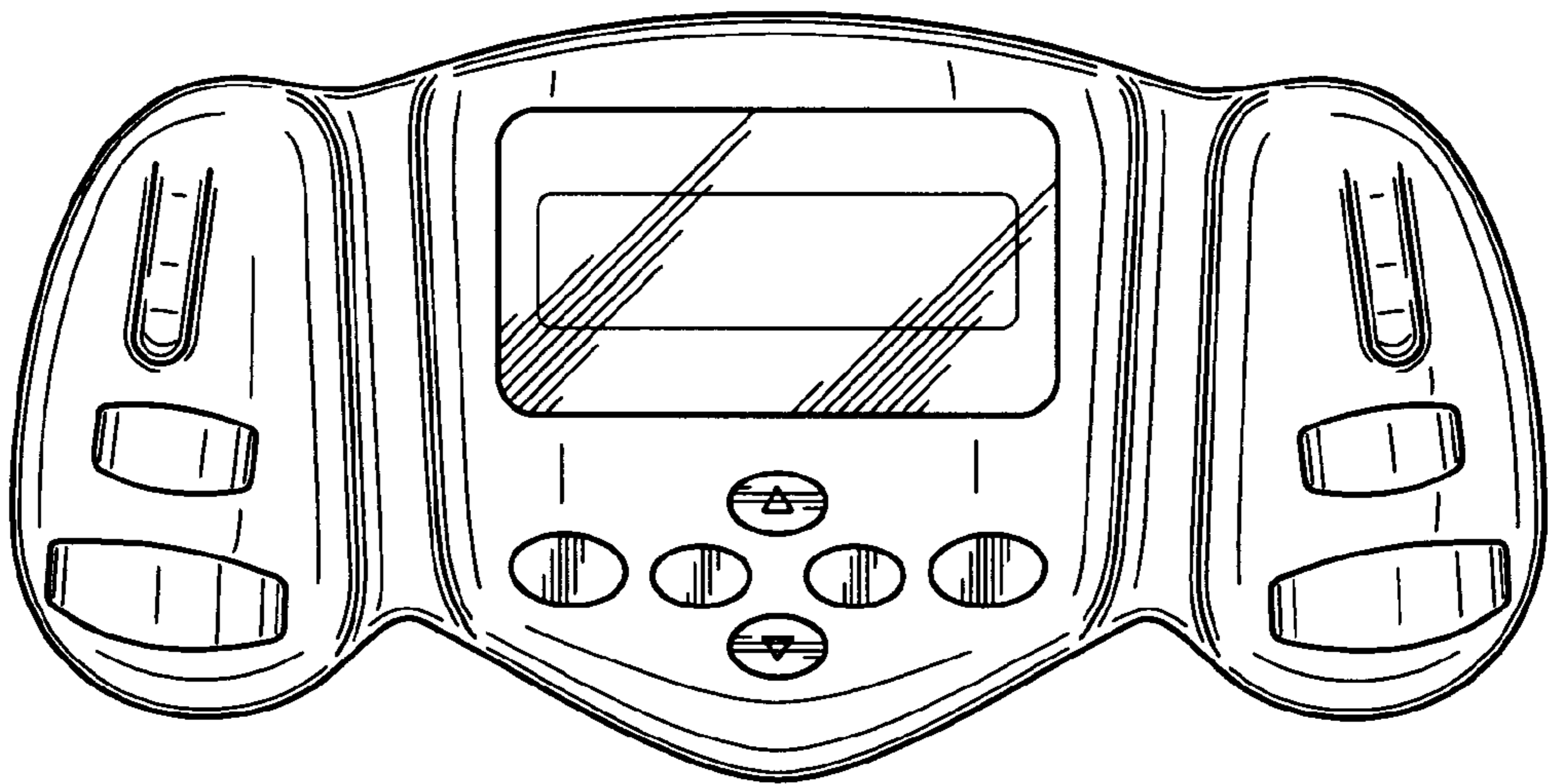


FIG. 2

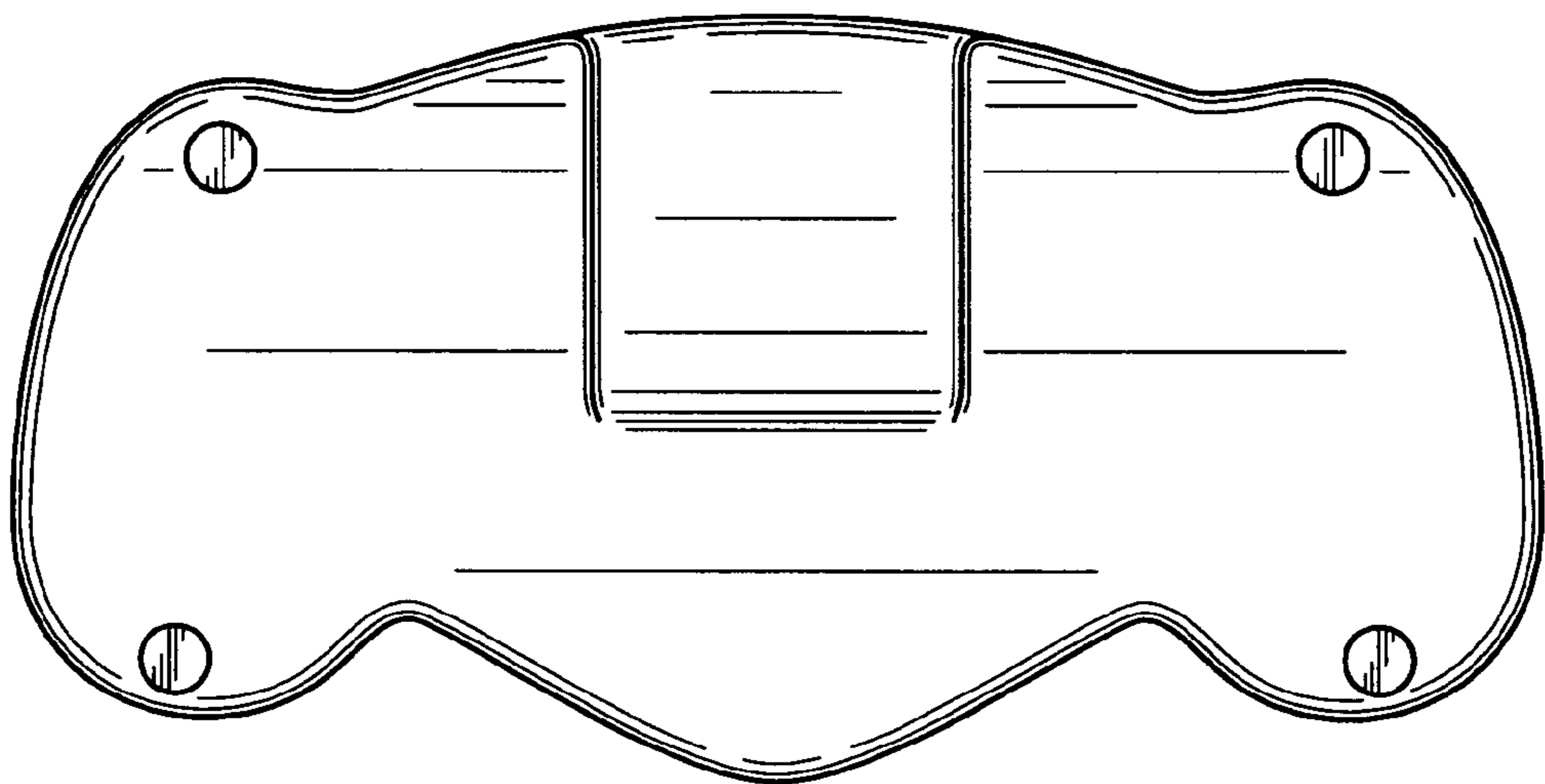


FIG. 3

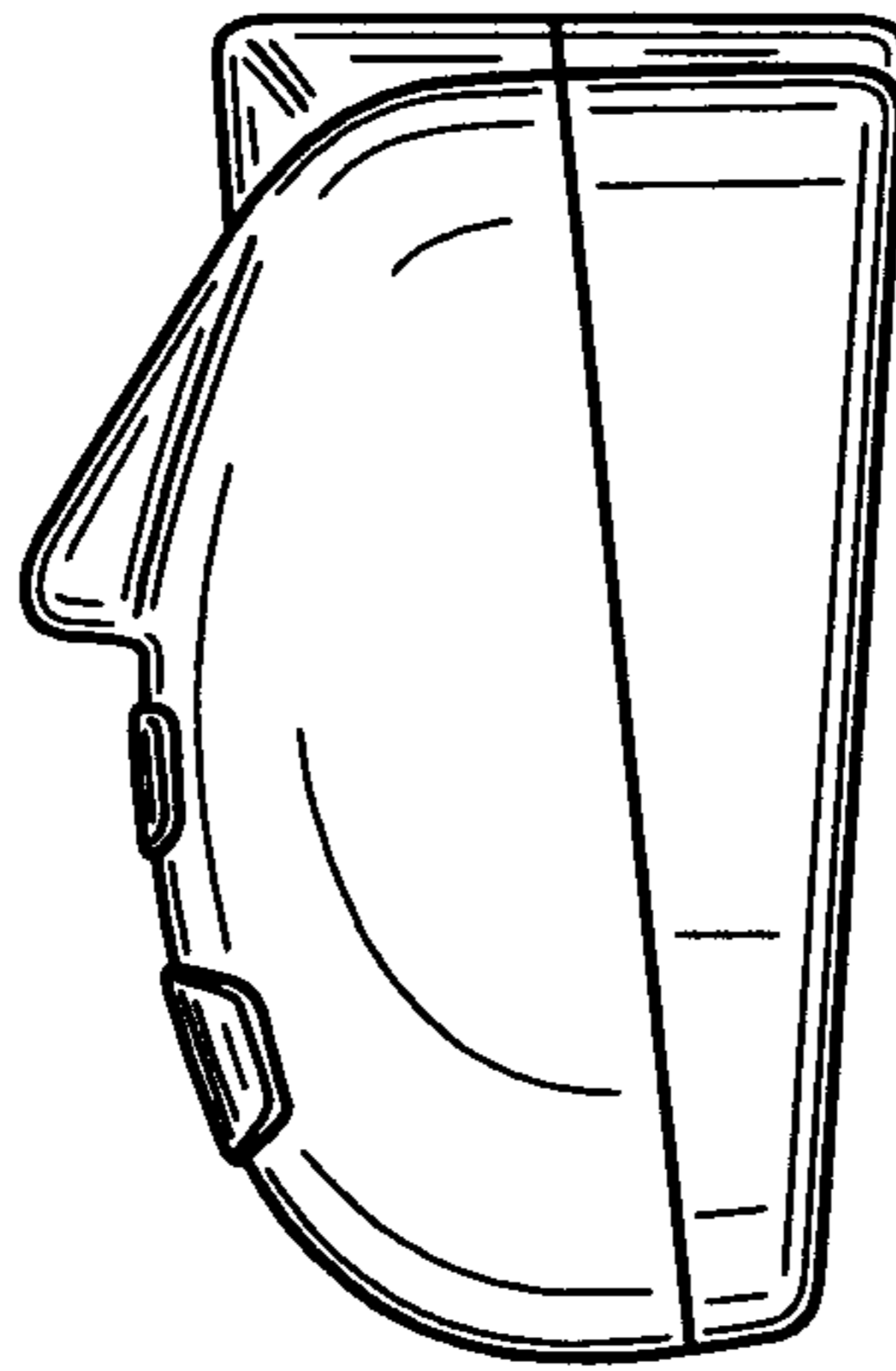


FIG. 4

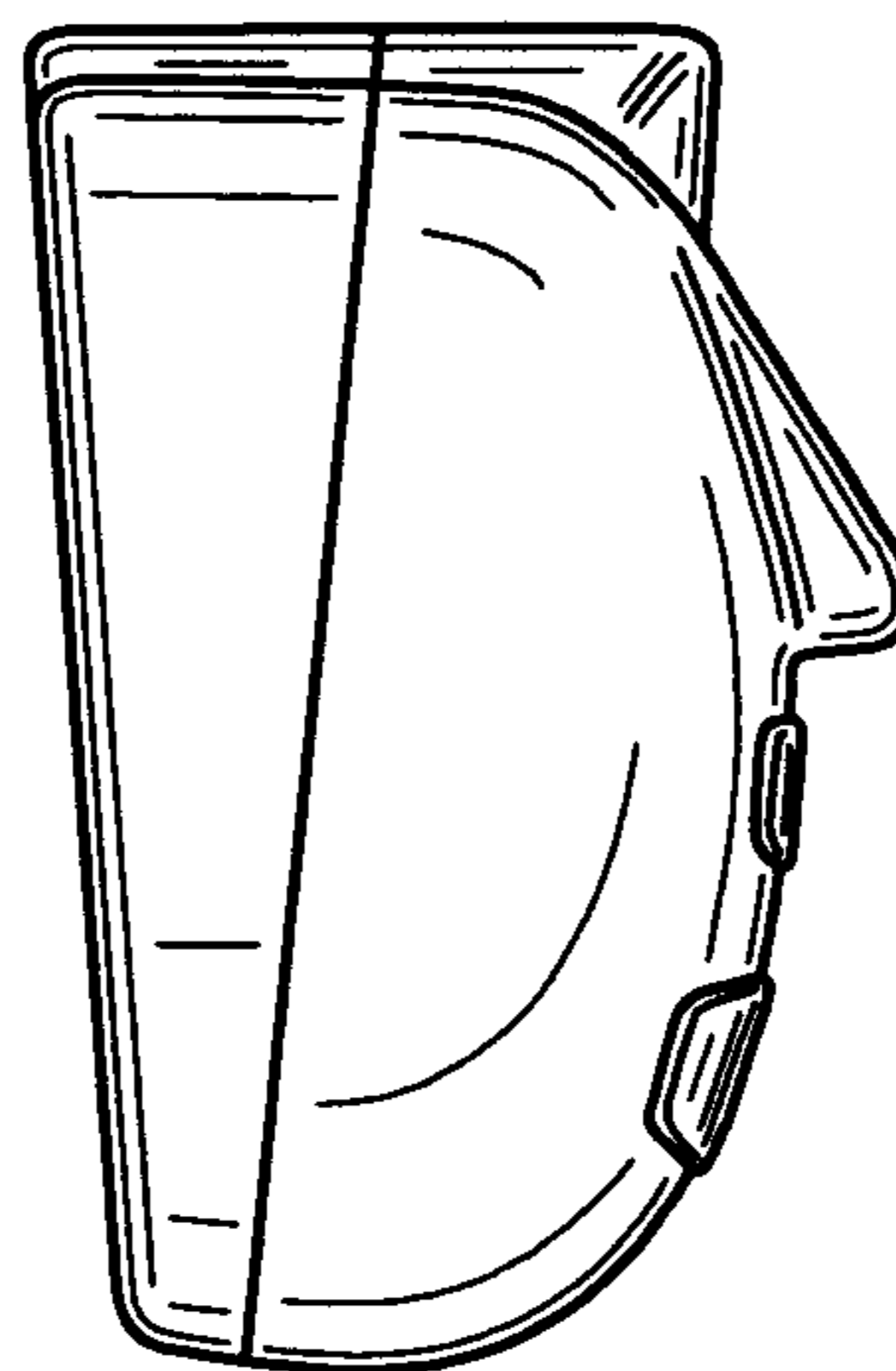


FIG. 5

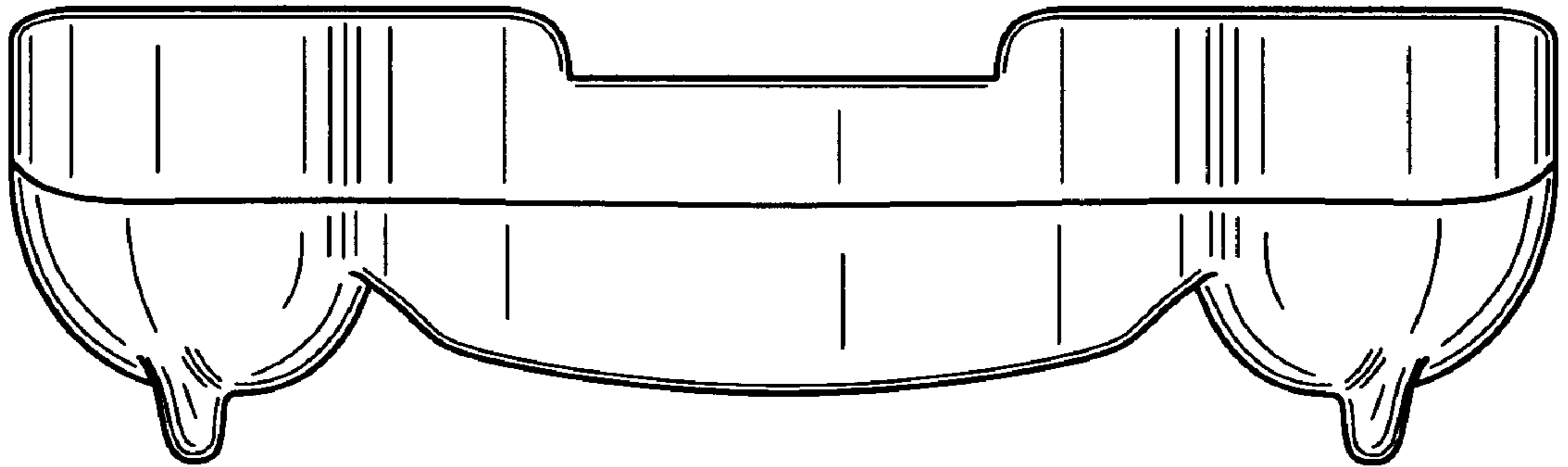


FIG. 6

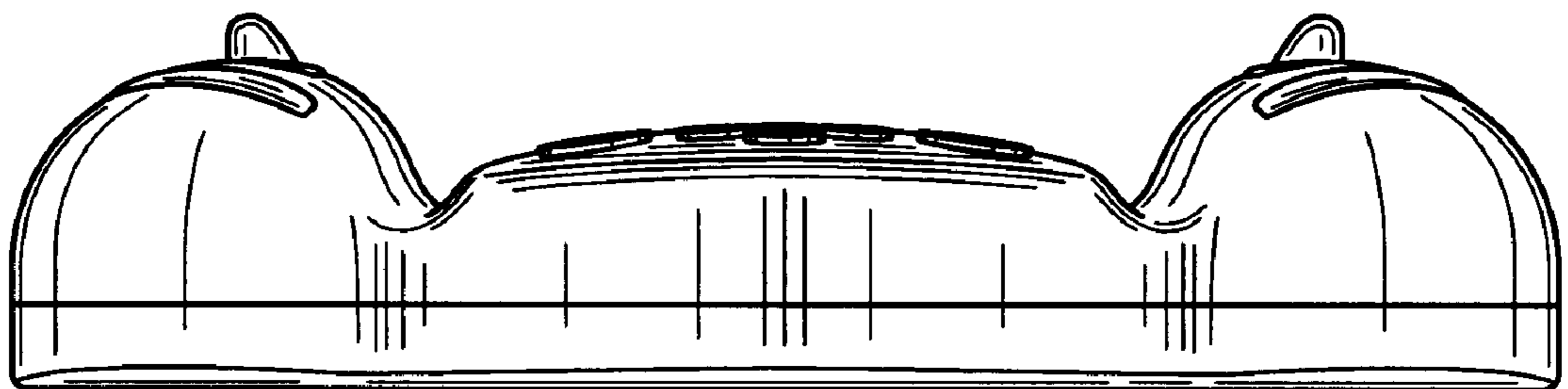


FIG. 7