



US00D456890S

(12) **United States Design Patent**
Thomas

(10) **Patent No.:** **US D456,890 S**

(45) **Date of Patent:** **** May 7, 2002**

(54) **COMBINED CEILING FAN AND LIGHT FIXTURE**

Primary Examiner—Lisa Lichtenstein

(76) **Inventor:** **Collin S Thomas**, 130-43 232nd St.,
Laurelton, NY (US) 11413

(57) **CLAIM**

The ornamental design for a combined ceiling fan and light fixture, as shown and described.

(**) **Term:** **14 Years**

DESCRIPTION

(21) **Appl. No.:** **29/137,967**

FIG. 1 is a front elevational view of the combined ceiling fan and light fixture of the present invention;

(22) **Filed:** **Mar. 5, 2001**

(51) **LOC (7) Cl.** **23-04**

FIG. 2 is a rear elevational view of the combined ceiling fan and light fixture of FIG. 1;

(52) **U.S. Cl.** **D23/377; D23/379; D23/385;**
D26/59

FIG. 3 is a left side elevational view of the combined ceiling fan and light fixture of FIG. 1;

(58) **Field of Search** D23/377, 379,
D23/385, 411, 413; 416/5; D21/90, 86,
85; D12/327; 362/96; D26/59, 81–86, 71,
72, 51, 73, 97

FIG. 4 is a right side elevational view of the combined ceiling fan and light fixture of FIG. 1;

(56) **References Cited**

U.S. PATENT DOCUMENTS

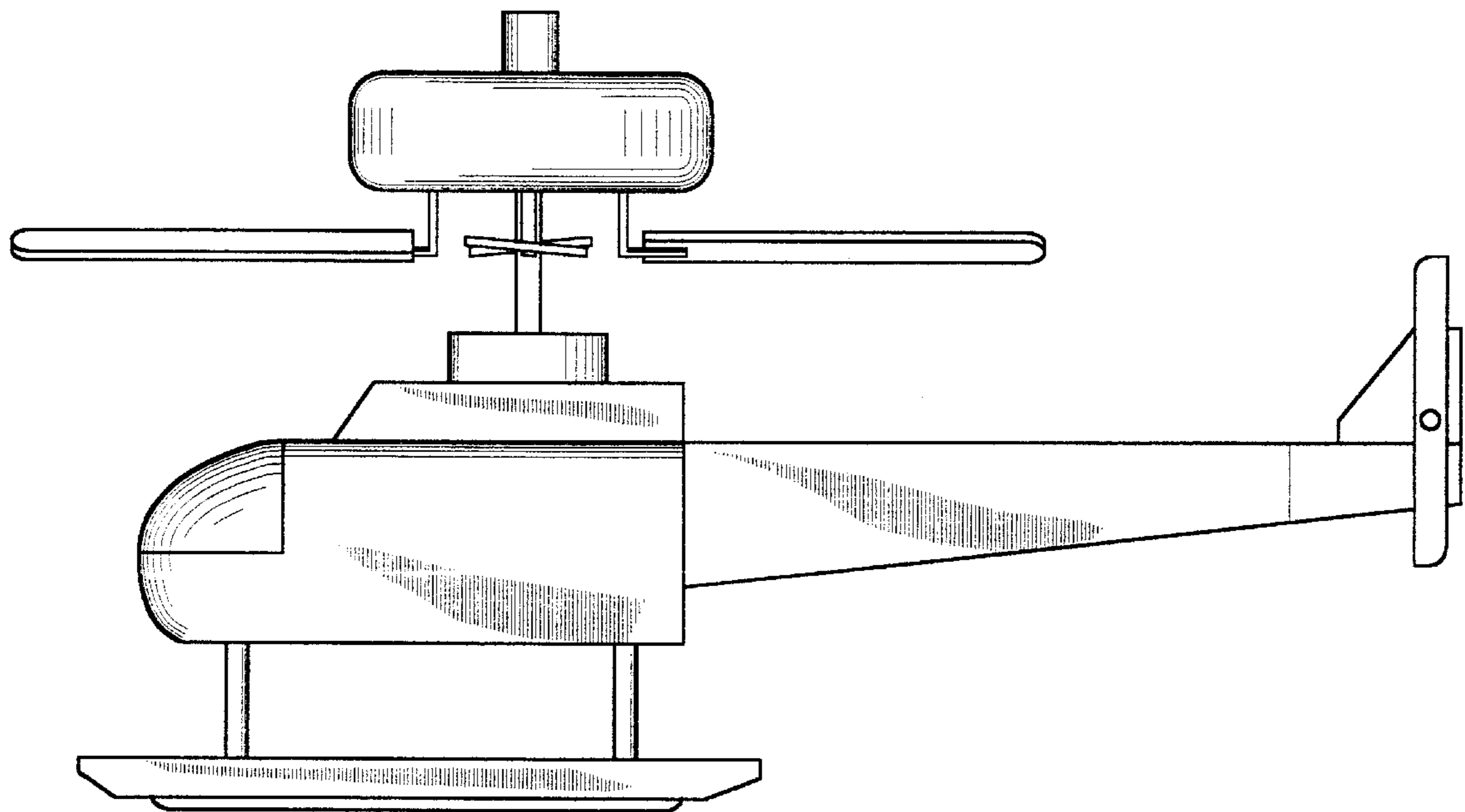
D294,604 S * 3/1988 Shibukawa D21/90
D345,206 S * 3/1994 DiPasquale D23/411

FIG. 5 is a top plan view of the combined ceiling fan and light fixture of FIG. 1; and,

FIG. 6 is a bottom plan view of the combined ceiling fan and light fixture of FIG. 1.

* cited by examiner

1 Claim, 6 Drawing Sheets



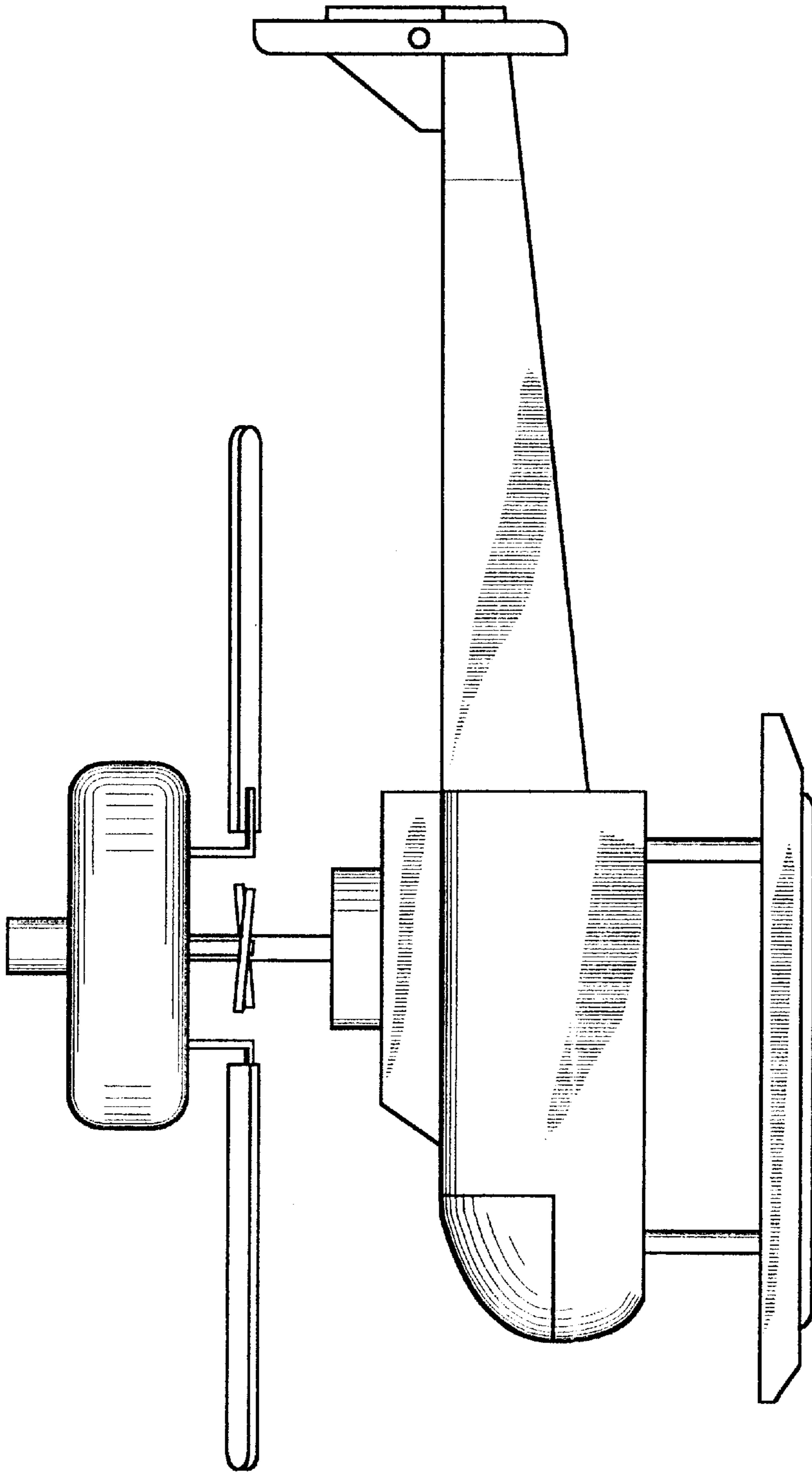


FIG. 1

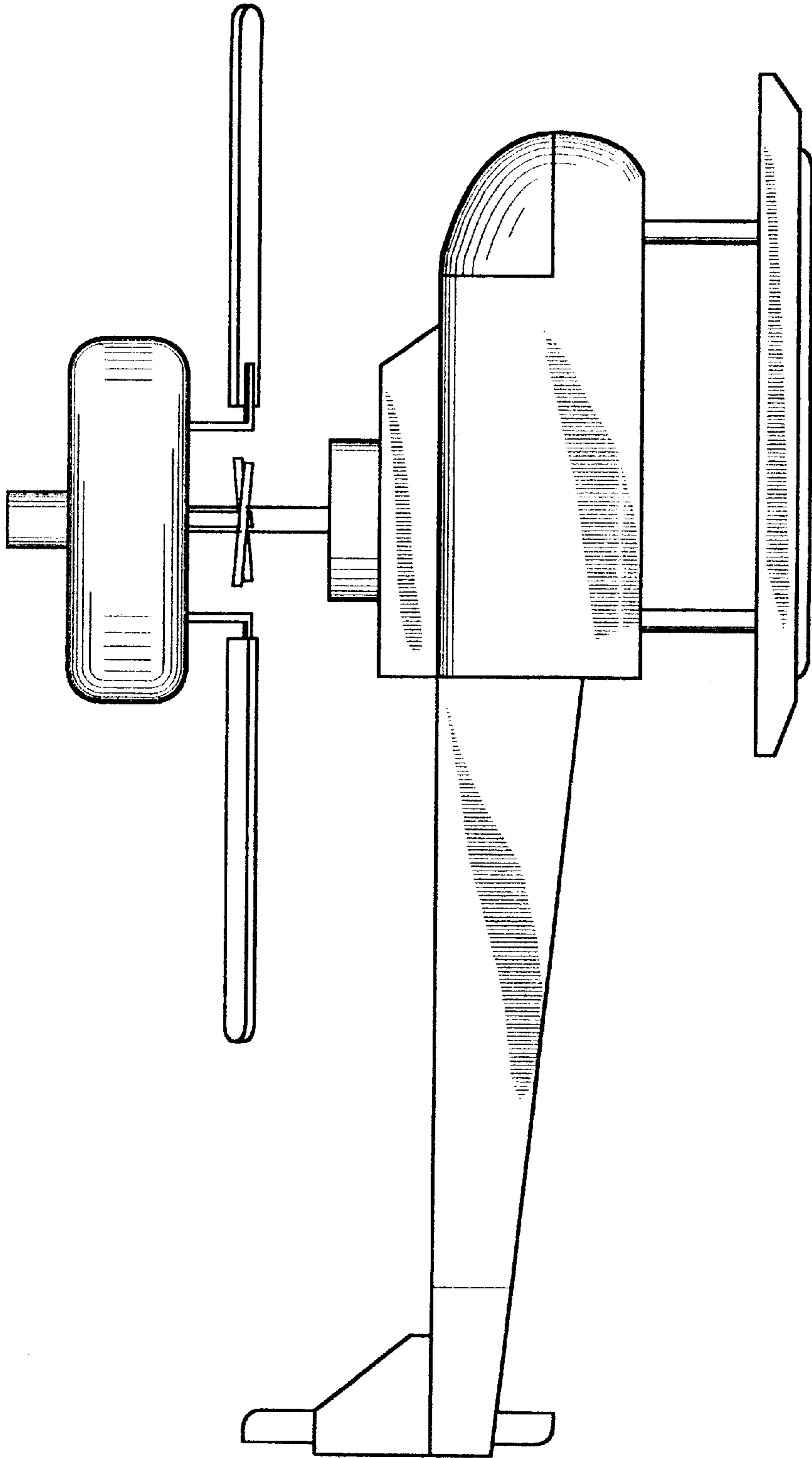


FIG. 2

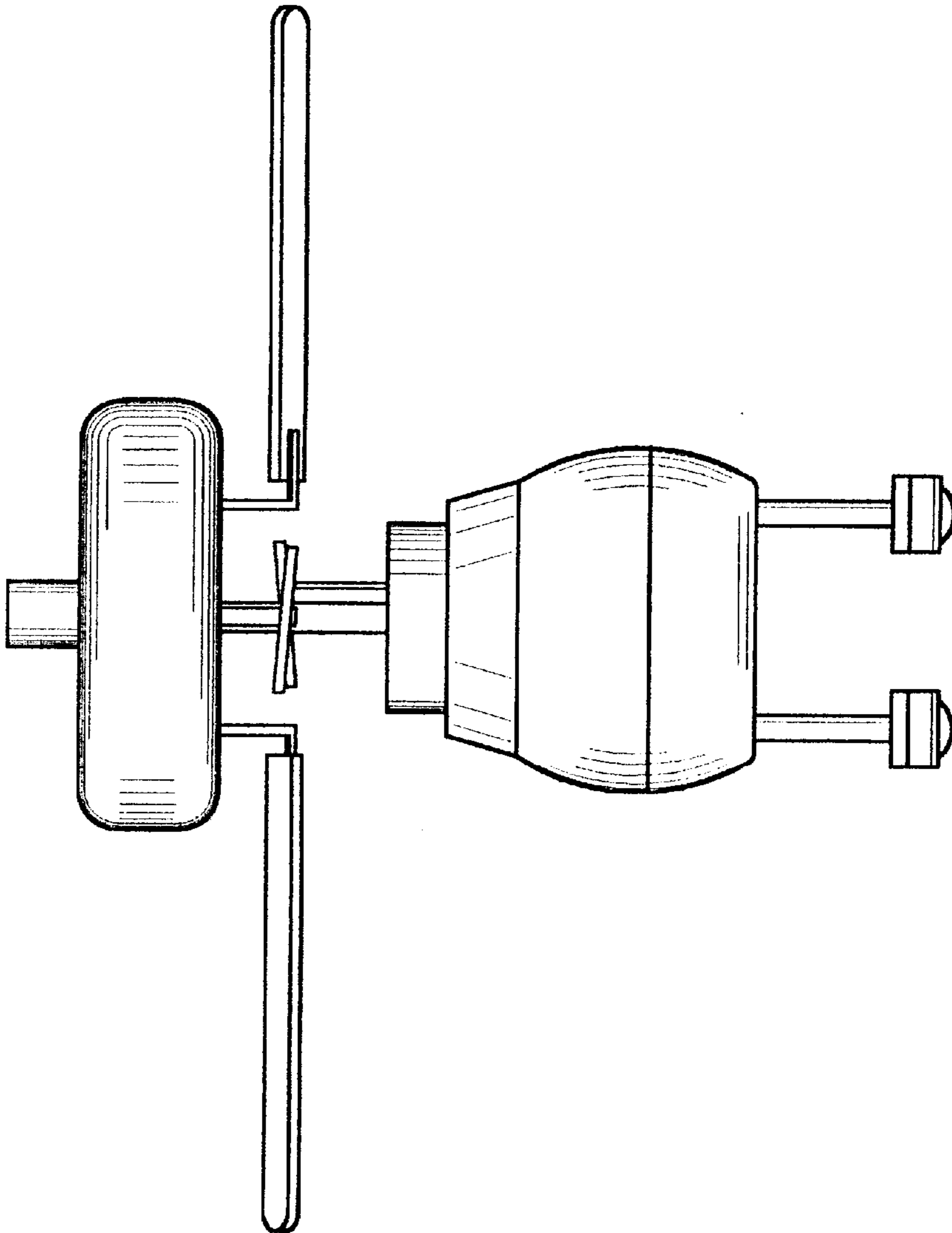


FIG. 3

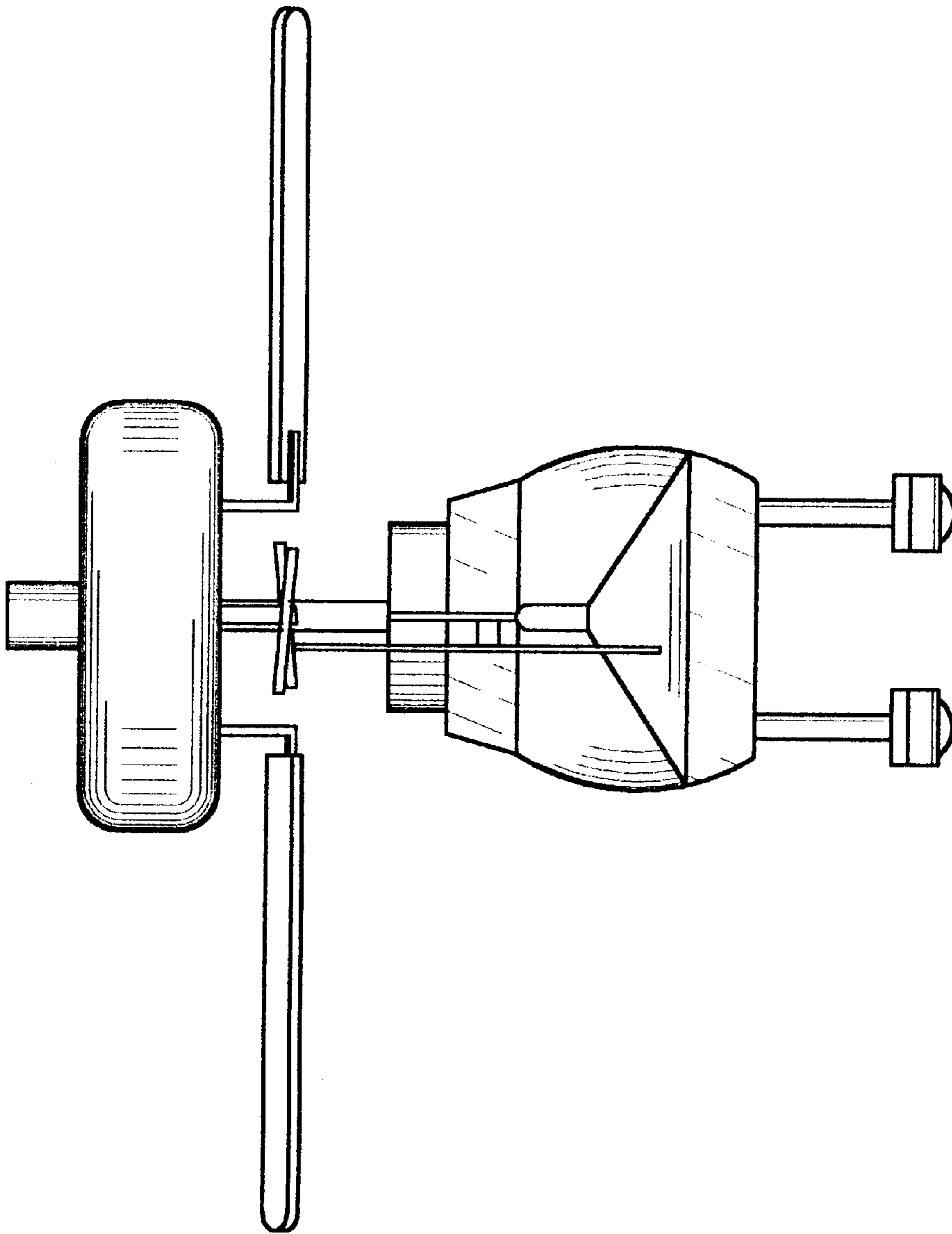


FIG. 4

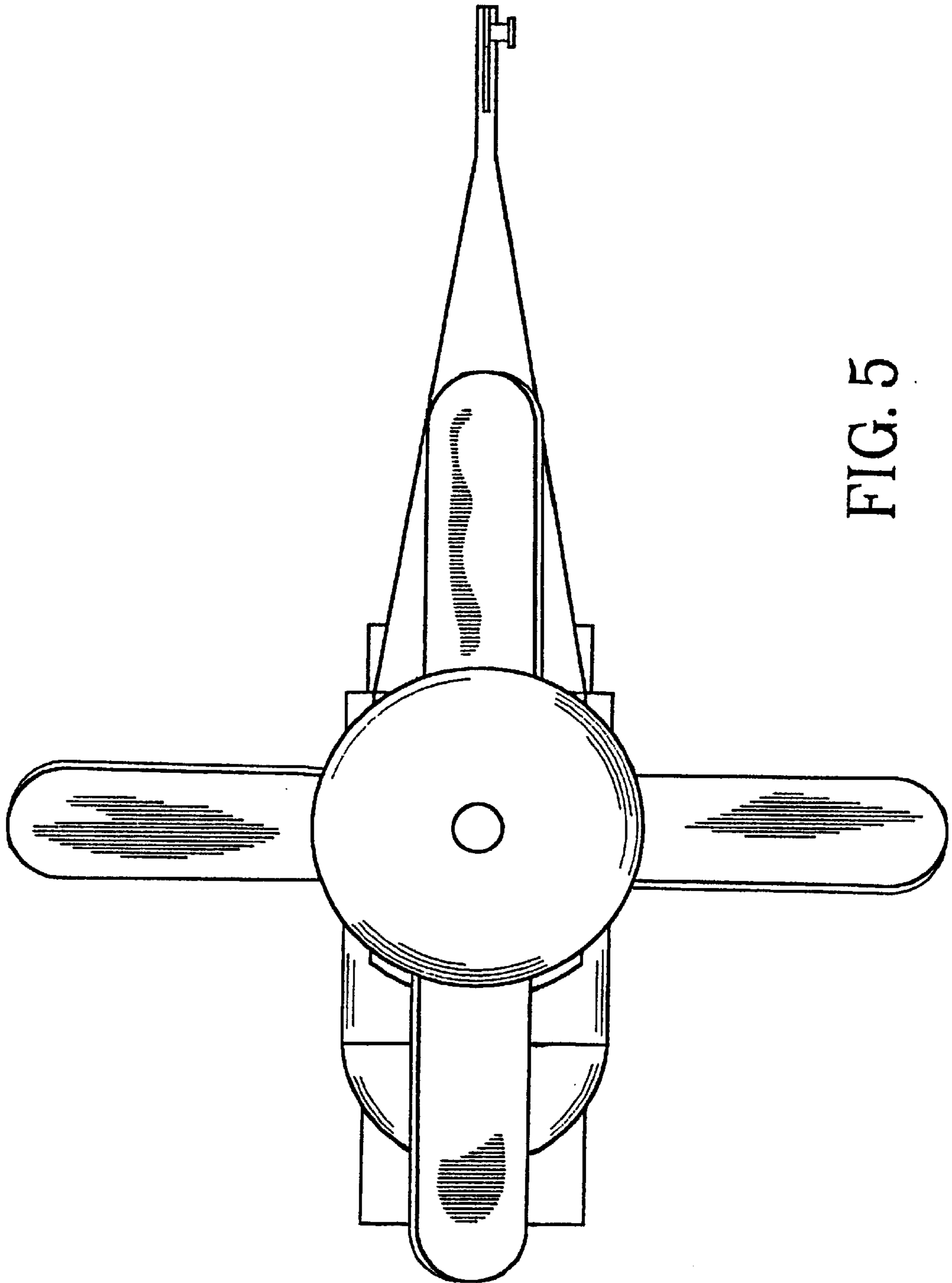


FIG. 5

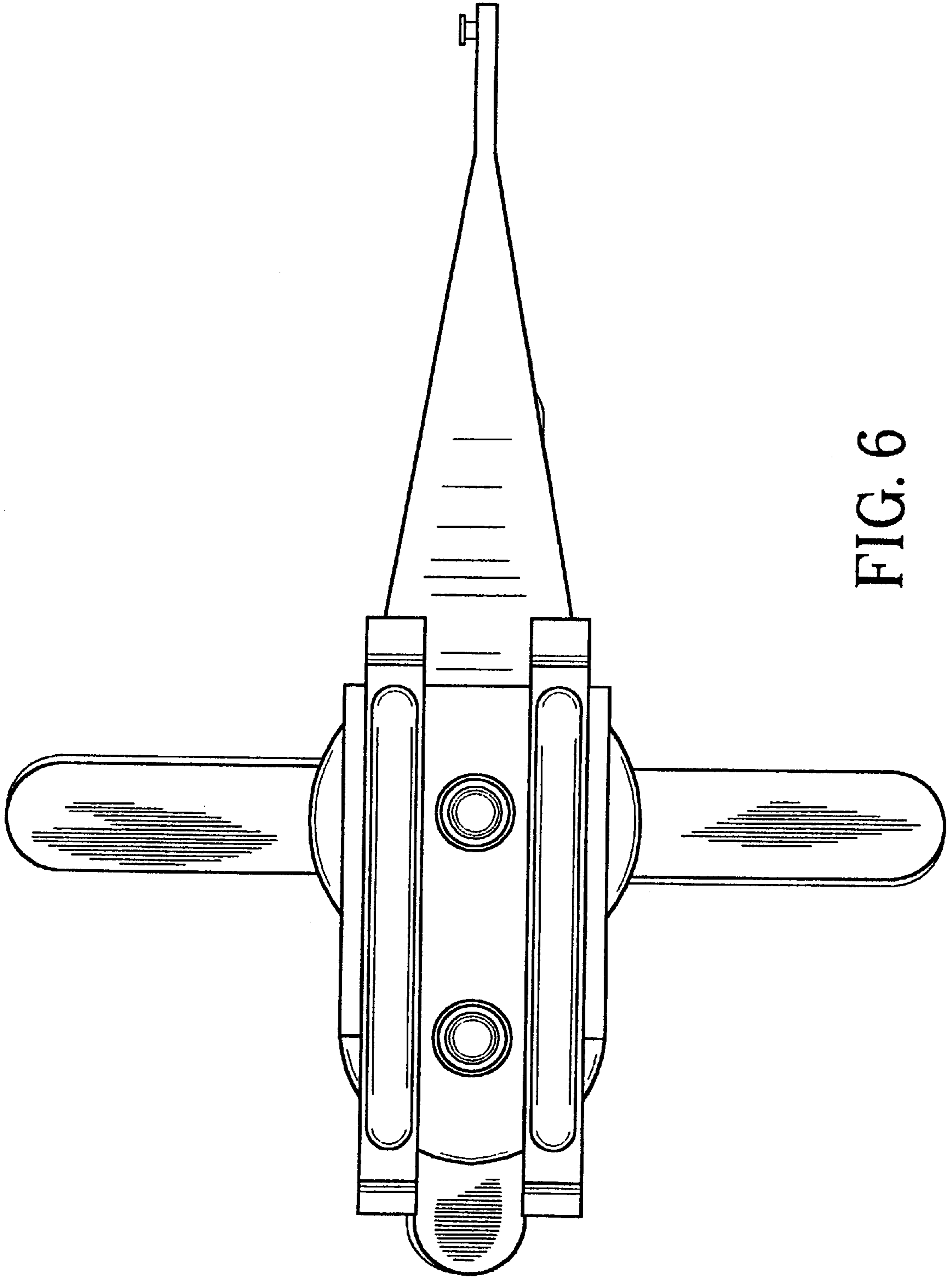


FIG. 6