



US00D456887S

(12) **United States Design Patent**
Zlotnik

(10) **Patent No.:** **US D456,887 S**

(45) **Date of Patent:** **** May 7, 2002**

(54) **COVER FOR A DEODORANT CABINET**

(74) *Attorney, Agent, or Firm*—Clifford A. Poff

(75) **Inventor:** **Arnold H. Zlotnik**, Pittsburgh, PA (US)

(57) **CLAIM**

(73) **Assignee:** **Pestco, Inc.**, Pittsburgh, PA (US)

The ornamental design cover for a deodorant cabinet, as shown and described.

(**) **Term:** **14 Years**

DESCRIPTION

(21) **Appl. No.:** **29/141,981**

FIG. 1 is a perspective view showing of top, right side and front of a cover for a deodorant cabinet according to one embodiment of my new design;

(22) **Filed:** **May 16, 2001**

FIG. 2 is a perspective view showing the bottom, left side and front of the cover shown in FIG. 1;

(51) **LOC (7) Cl.** **23-04**

(52) **U.S. Cl.** **D23/366**

FIG. 3 is an enlarged front view of the cover shown in FIG. 1;

(58) **Field of Search** D23/366-369;

239/55-59, 60; 422/12 D

FIG. 4 is a greatly enlarged right side view of the cover shown in FIG. 1, the opposite side being a mirror image of that shown;

(56) **References Cited**

U.S. PATENT DOCUMENTS

| | | | | | |
|------------|---|---------|------------------|-------|---------|
| D308,415 S | * | 6/1990 | Kunze | | D23/366 |
| D322,849 S | * | 12/1991 | Williams | | D23/366 |
| RE34,847 E | * | 2/1995 | Muderlak et al. | | D23/366 |
| D363,772 S | * | 10/1995 | Kopp et al. | | D23/366 |
| D409,740 S | * | 5/1999 | Gallagher et al. | | D23/366 |

FIG. 5 is a bottom view of the cover shown in FIG. 1;

FIG. 6 is a top view of the cover shown in Figure;

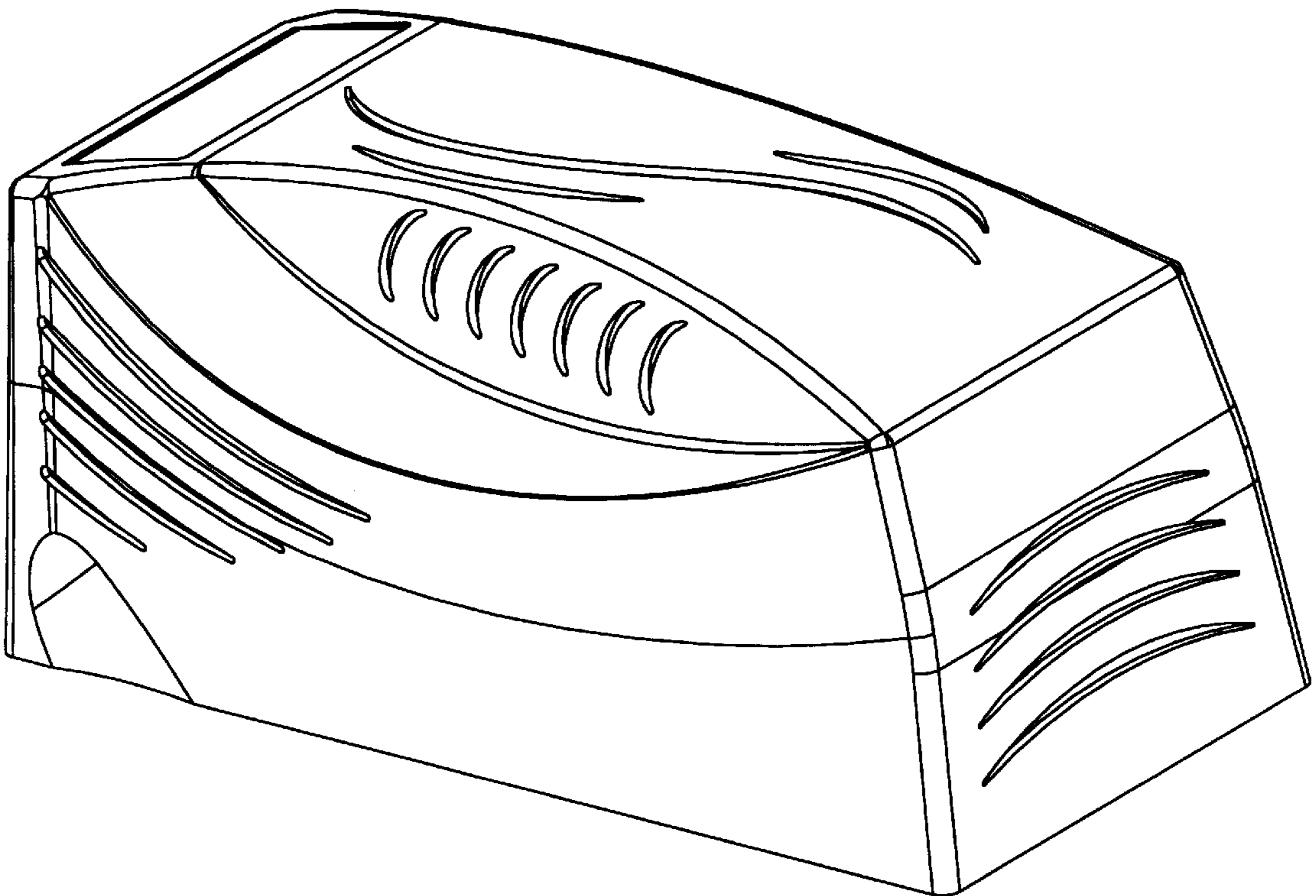
FIG. 7 is a perspective view showing the top, left side and front of a cover for a deodorant cabinet according to a second embodiment of my design; and,

FIG. 8 is a perspective view bottom, right side and front of the cover shown in FIG. 7.

* cited by examiner

Primary Examiner—Lisa Lichtenstein

1 Claim, 6 Drawing Sheets



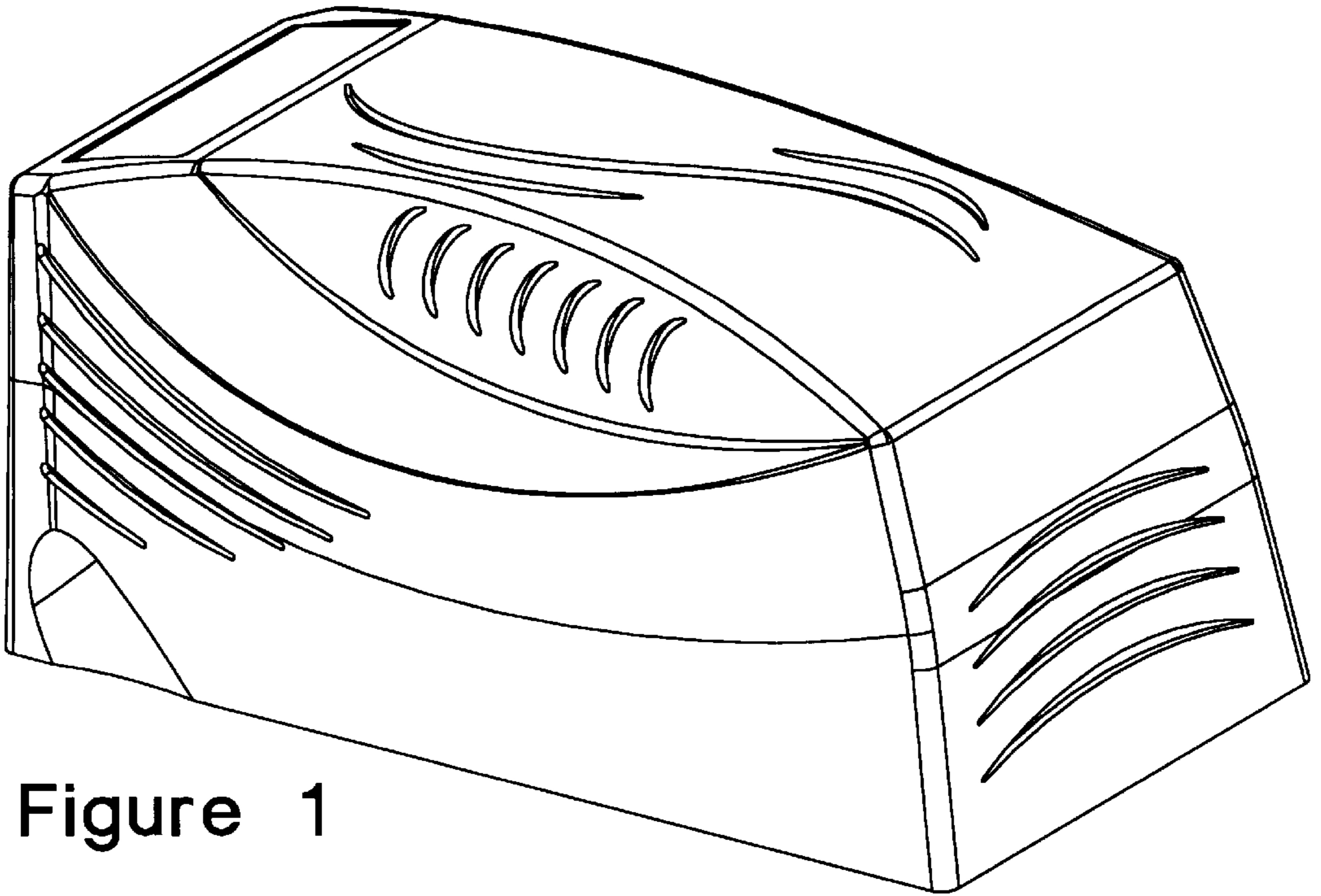


Figure 1

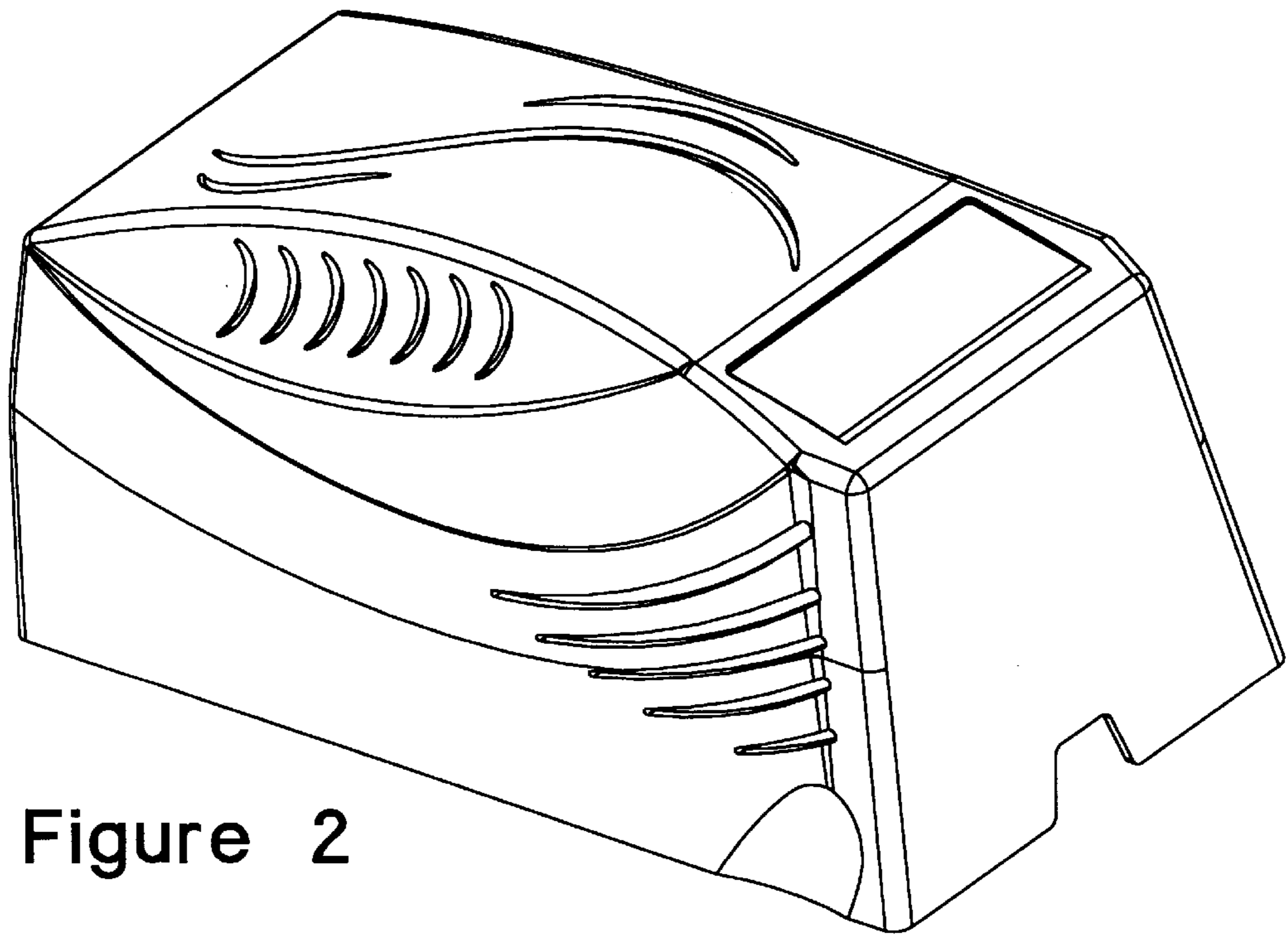


Figure 2

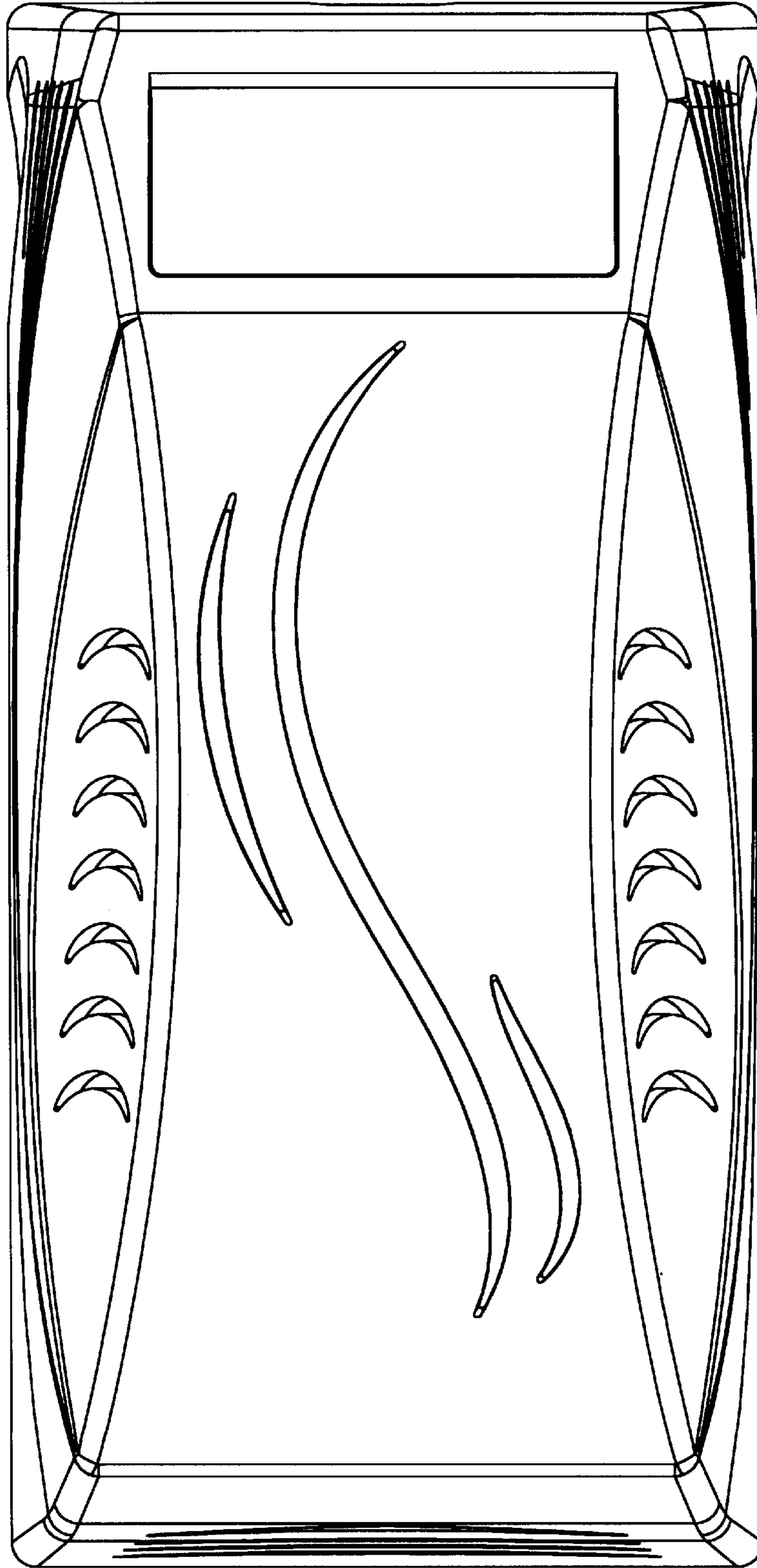


Figure 3

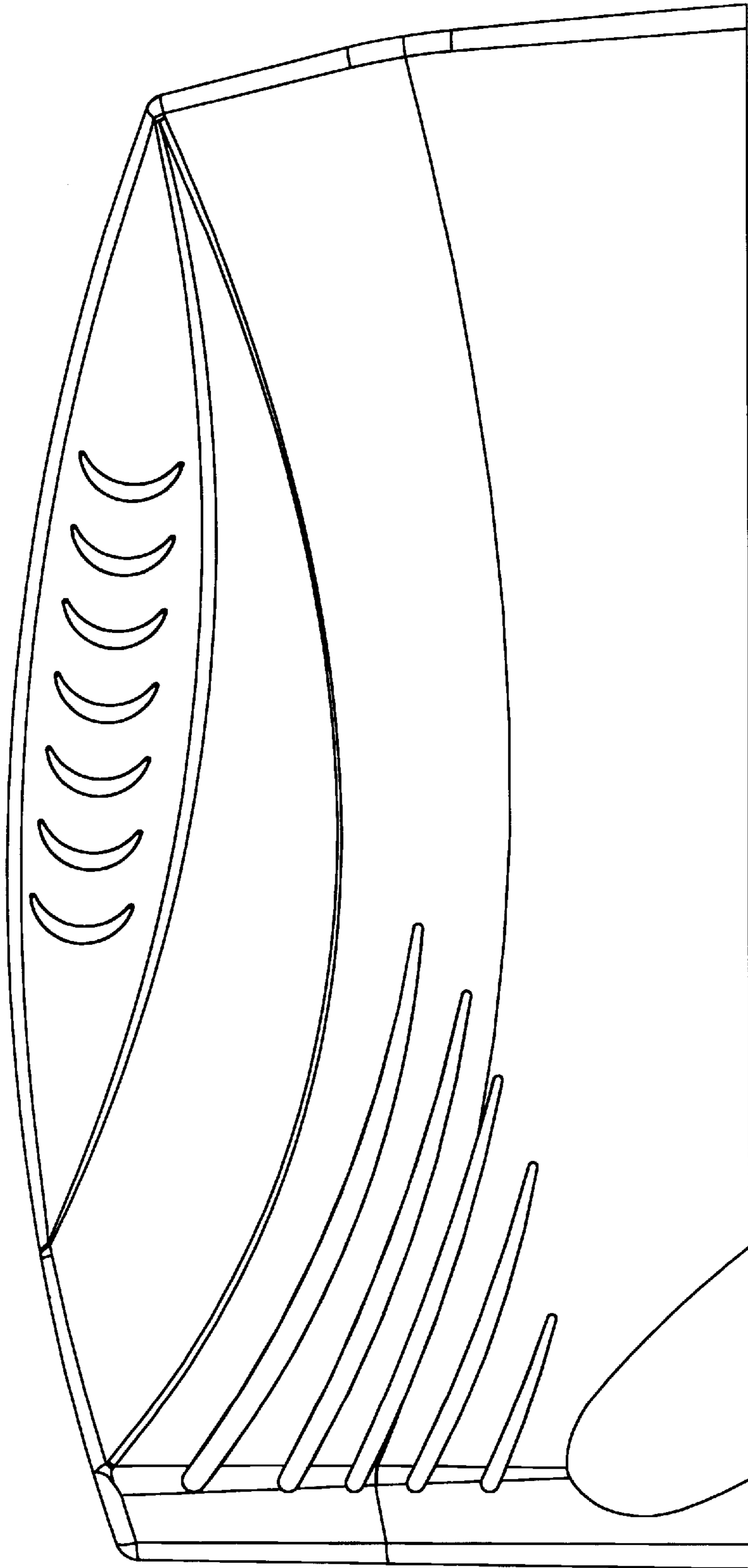


Figure 4

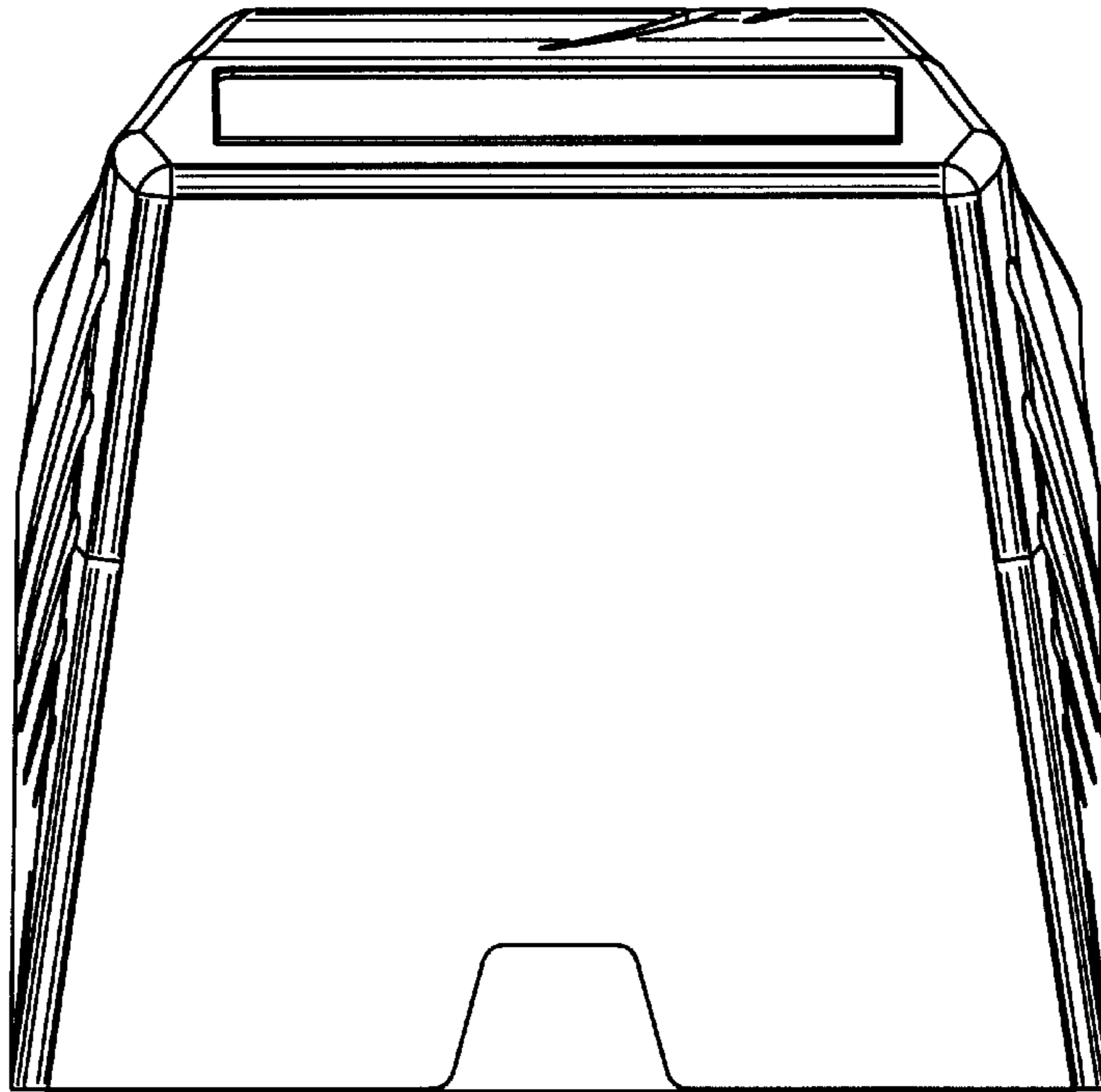


Figure 5

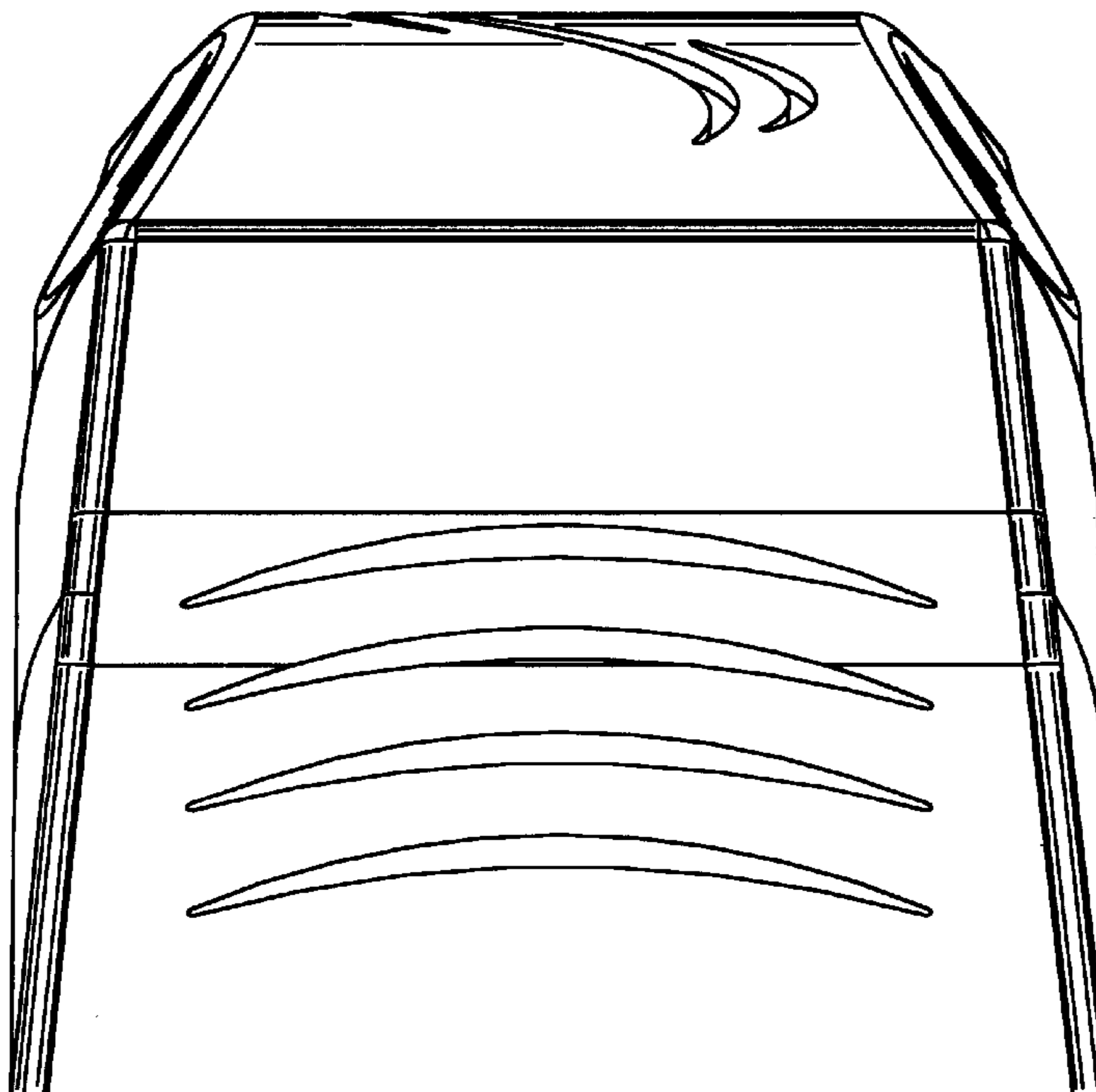


Figure 6

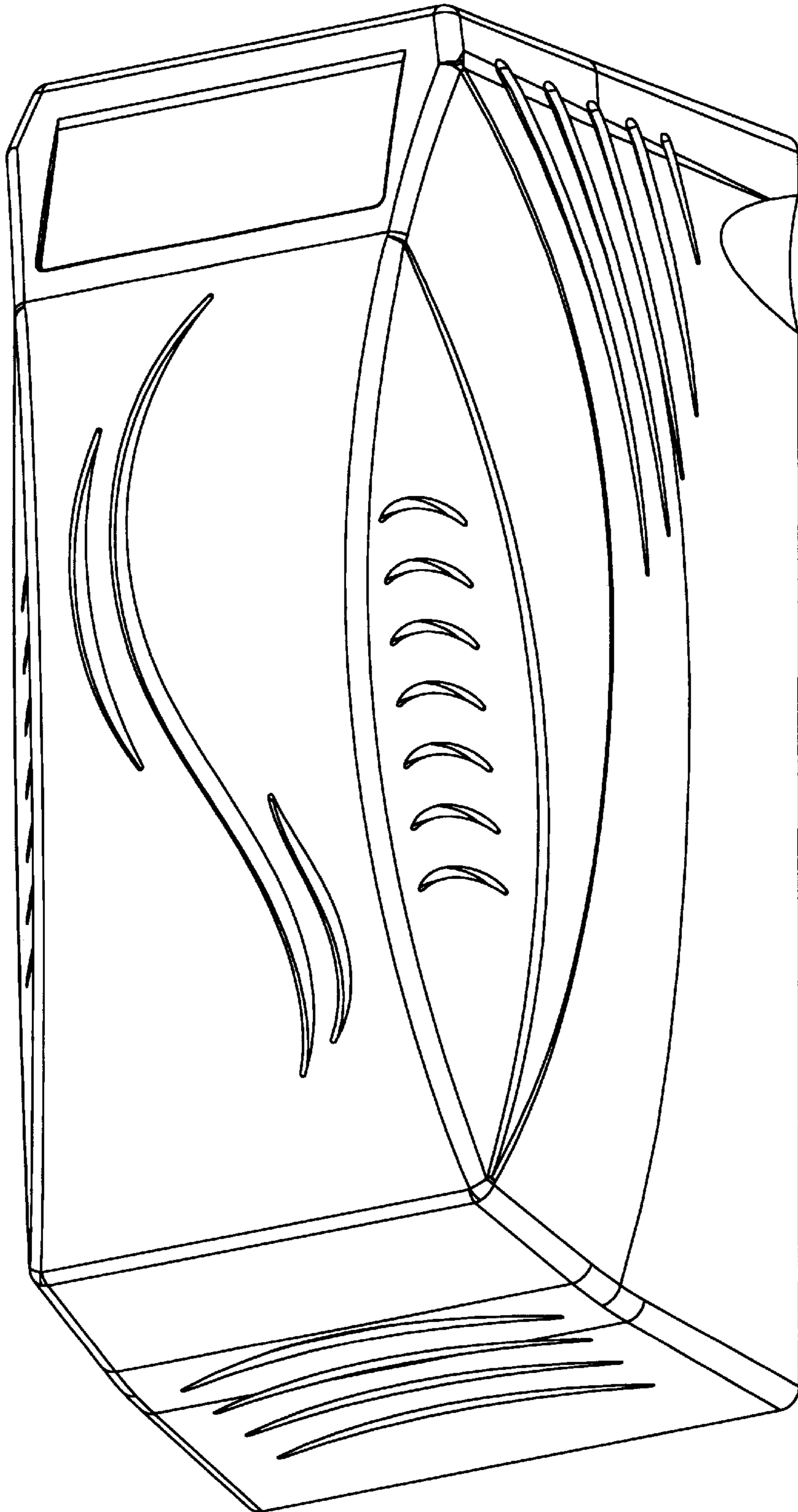


Figure 7

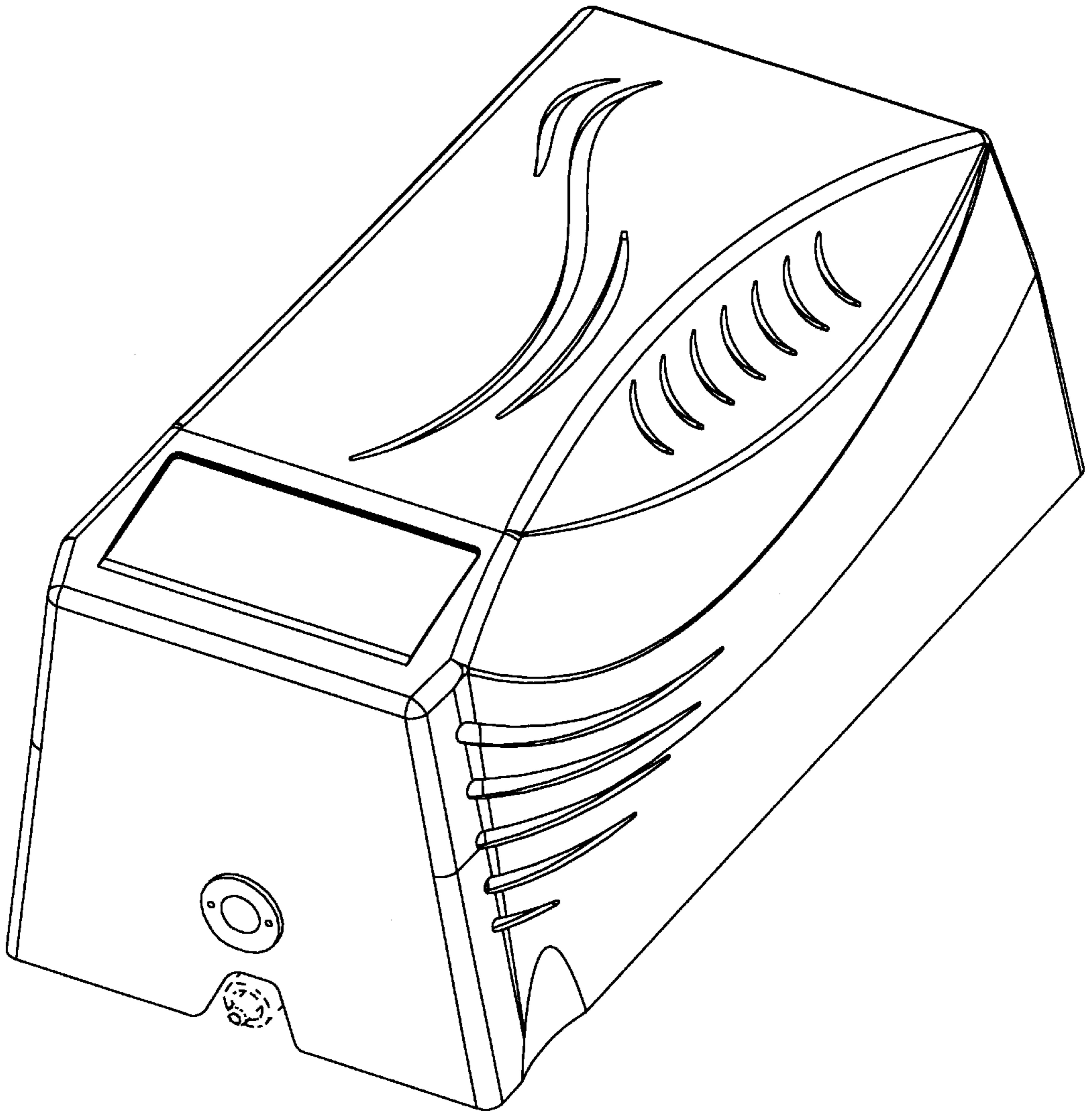


Figure 8