



US00D456885S

(12) **United States Design Patent**
Schmitt

(10) **Patent No.:** **US D456,885 S**

(45) **Date of Patent:** **** May 7, 2002**

(54) **HELMET WITH A FAN**

(76) Inventor: **Brett Schmitt**, 6408 Hilltop, Shawnee, KS (US) 66226

(**) Term: **14 Years**

(21) Appl. No.: **29/140,393**

(22) Filed: **Apr. 17, 2001**

(51) **LOC (7) Cl.** **23-04**

(52) **U.S. Cl.** **D23/328**

(58) **Field of Search** D23/370, 328;
D29/103; D2/246; 416/247 R, 63, 146 R

(56) **References Cited**

U.S. PATENT DOCUMENTS

D283,268 S	*	4/1986	Rebiskie et al.	D2/248
D297,584 S	*	9/1988	Lenox et al.	D2/246
D320,476 S	*	10/1991	Mele	D29/103

* cited by examiner

Primary Examiner—Lisa Lichtenstein
(74) Attorney, Agent, or Firm—Shughart Thomson & Kilroy P.C.; Mark E. Brown

(57) **CLAIM**

The ornamental design for a helmet with a fan, as shown and described.

DESCRIPTION

FIG. 1 is an upper, left side, perspective view of a helmet including a fan, embodying the present invention.

FIG. 2 is a front elevational view thereof.

FIG. 3 is a rear elevational view thereof.

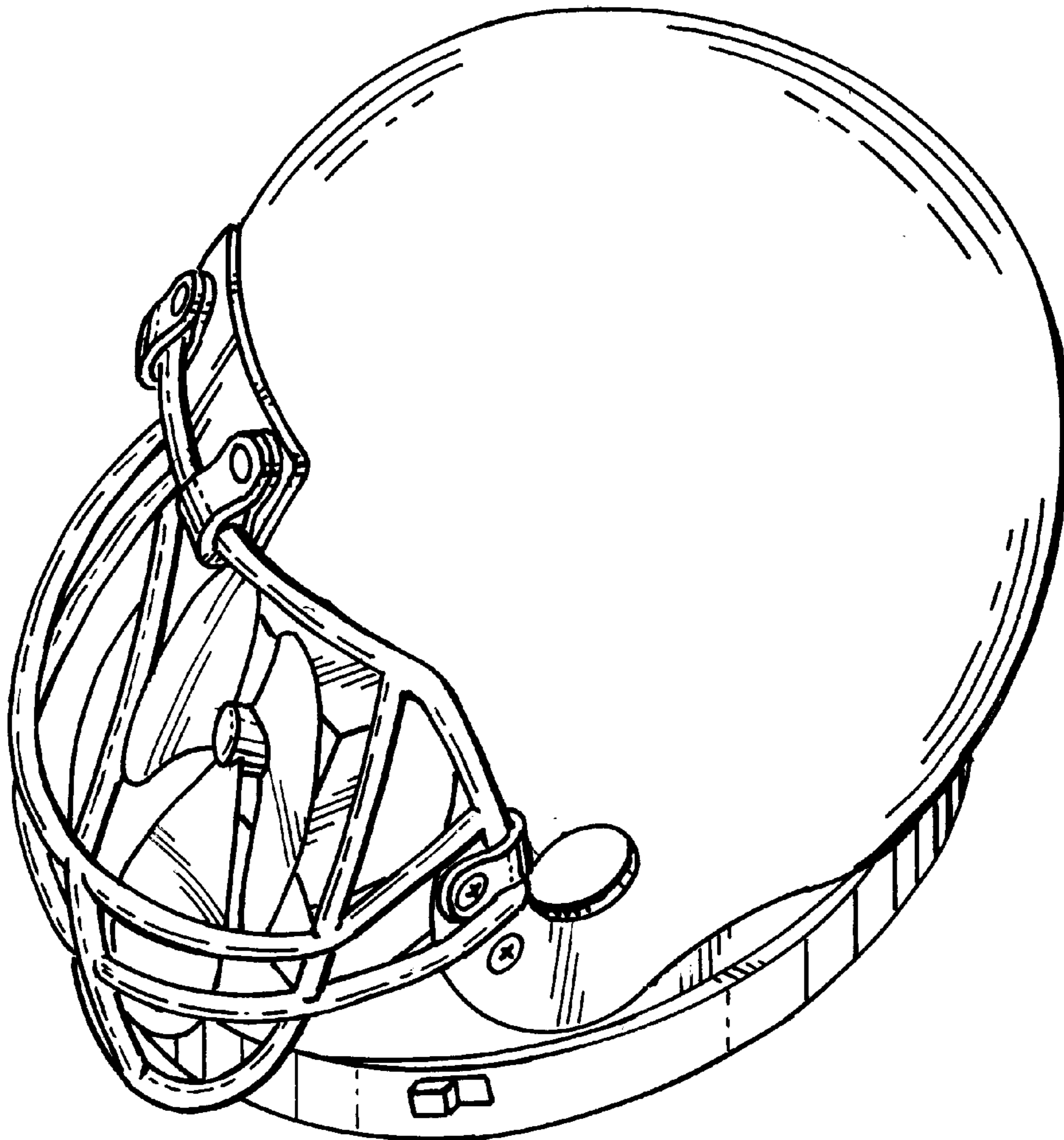
FIG. 4 is a left side elevational view thereof.

FIG. 5 is a right side elevational view thereof.

FIG. 6 is a top plan view thereof; and,

FIG. 7 is a bottom plan view thereof.

1 Claim, 4 Drawing Sheets



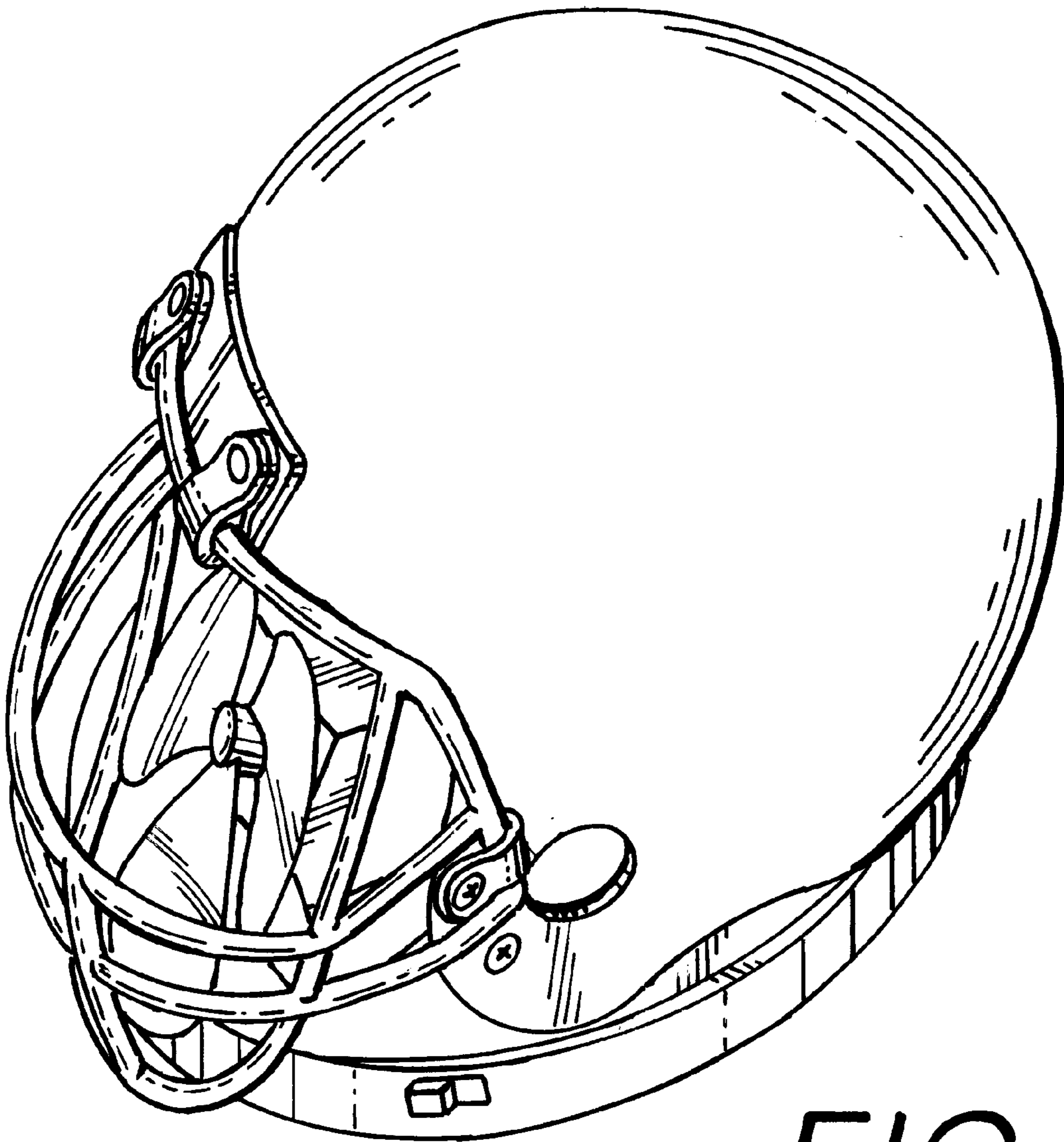


FIG. 1

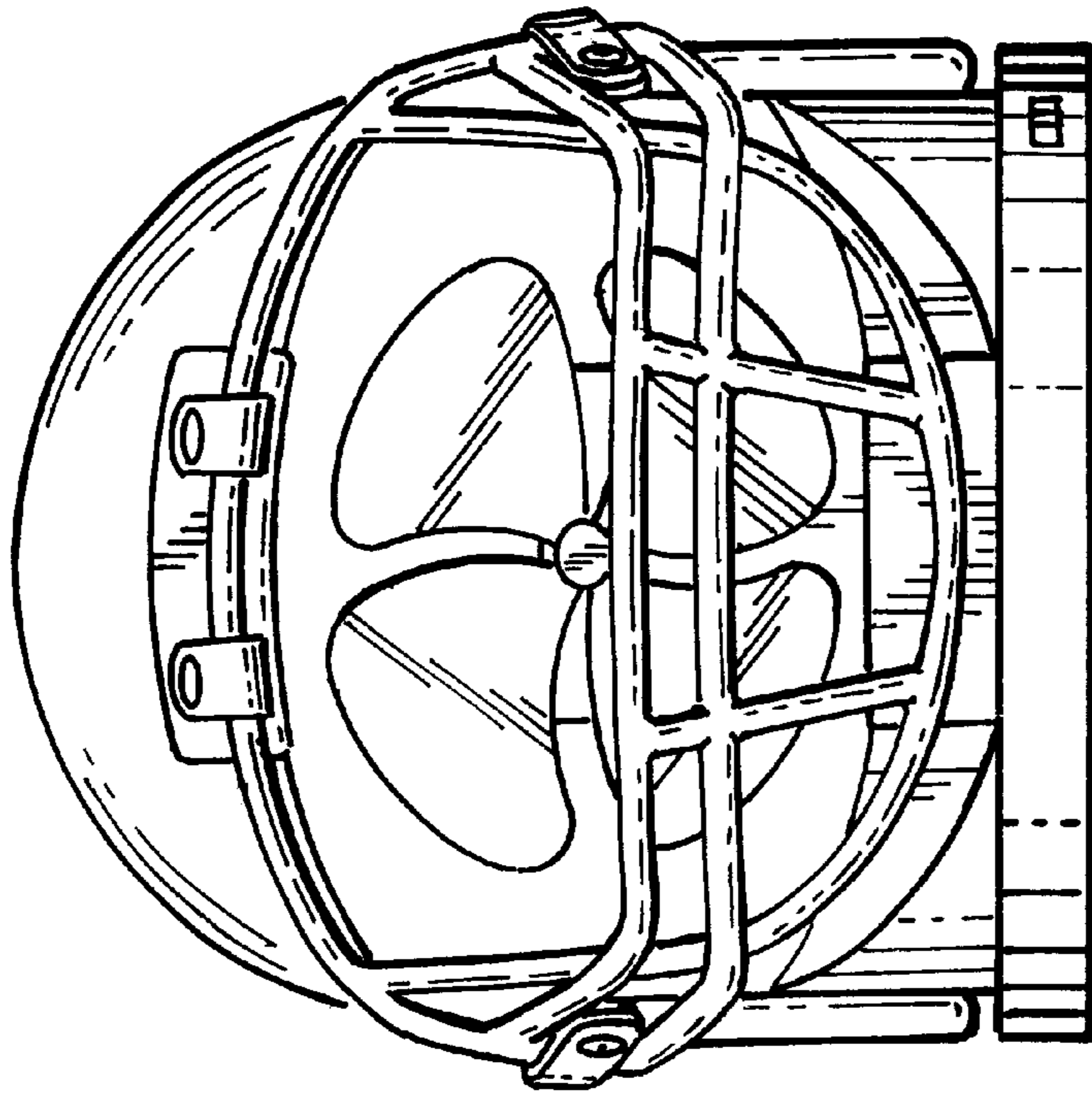


FIG. 2

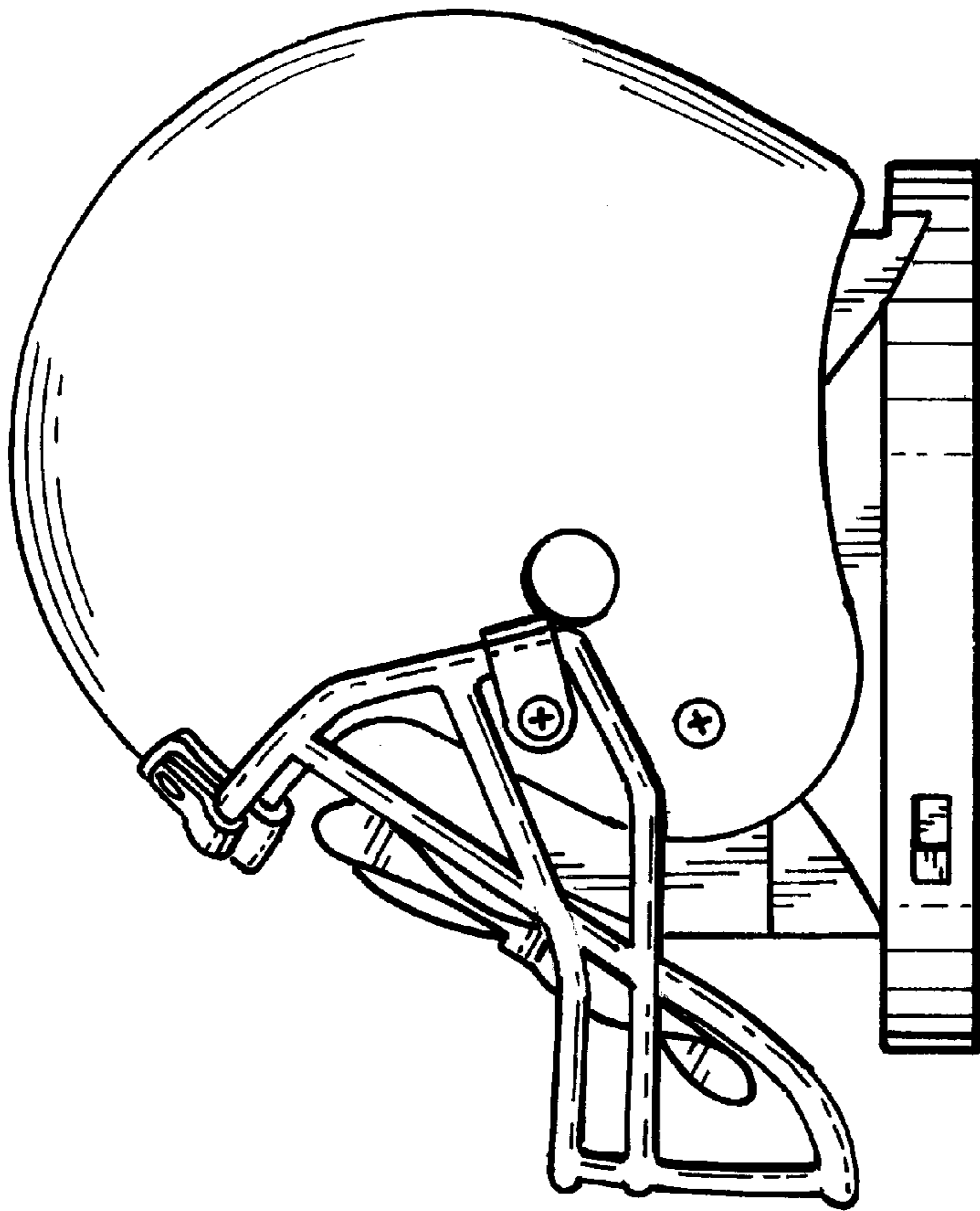


FIG. 4

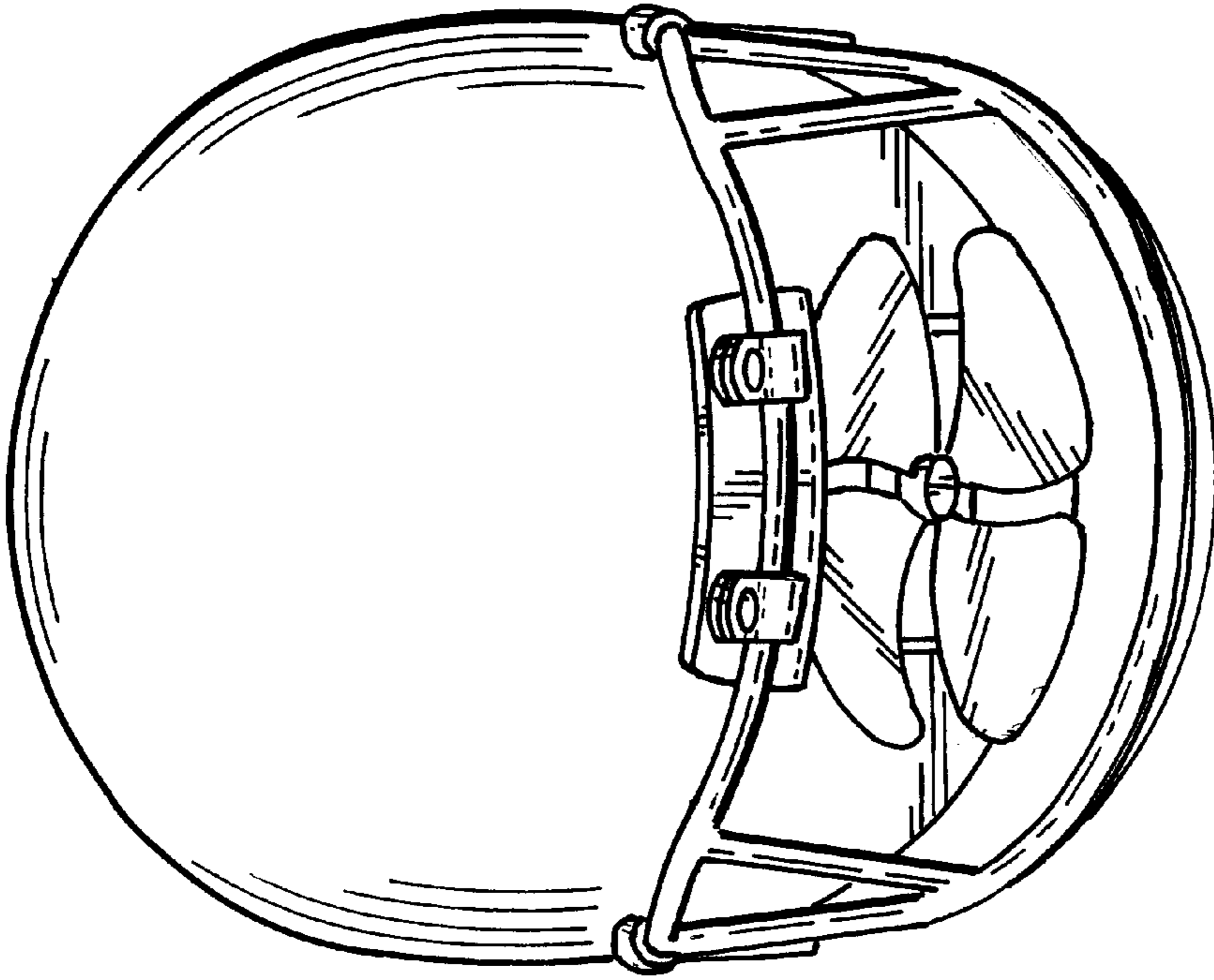


FIG. 6

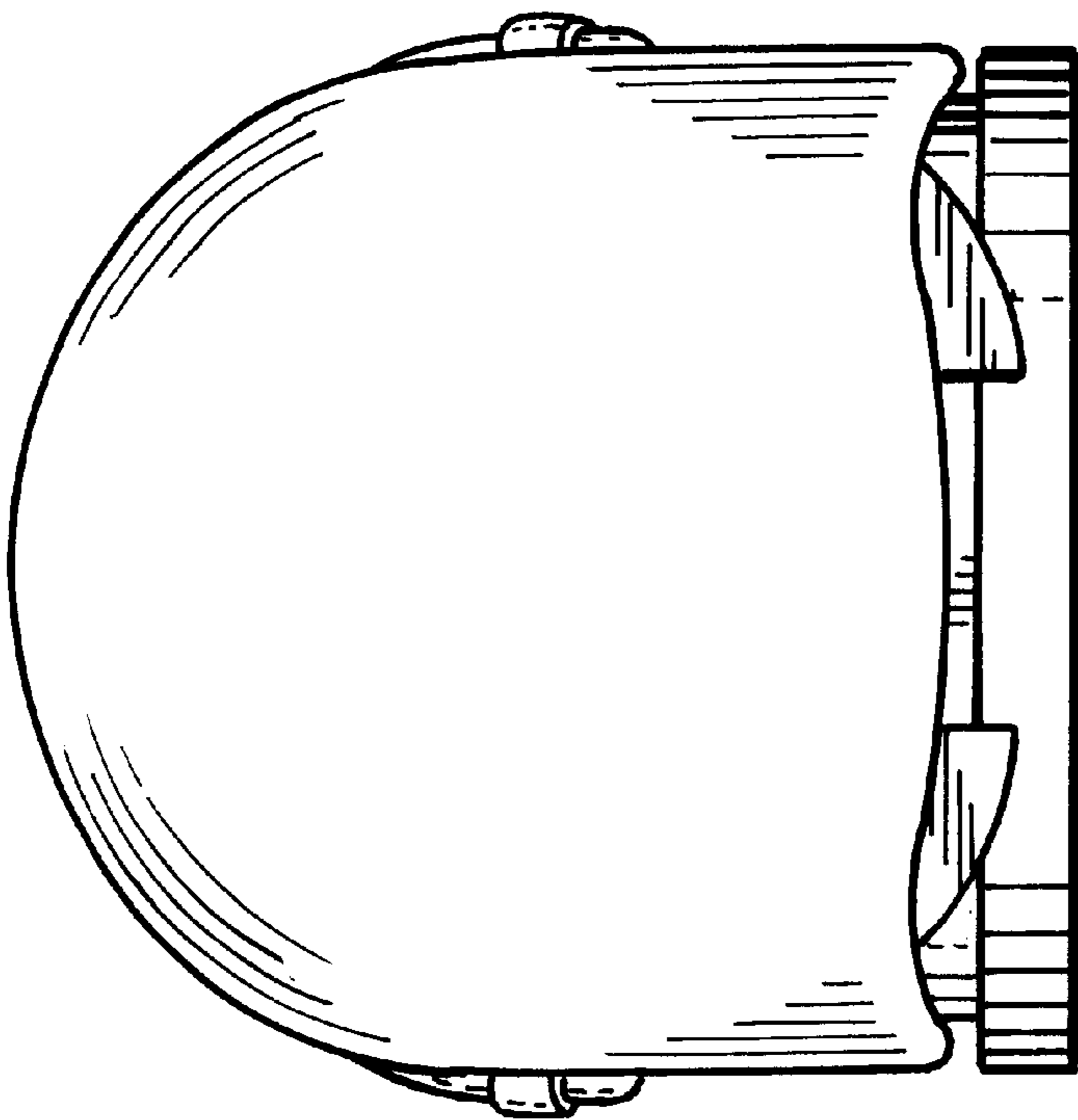


FIG. 3

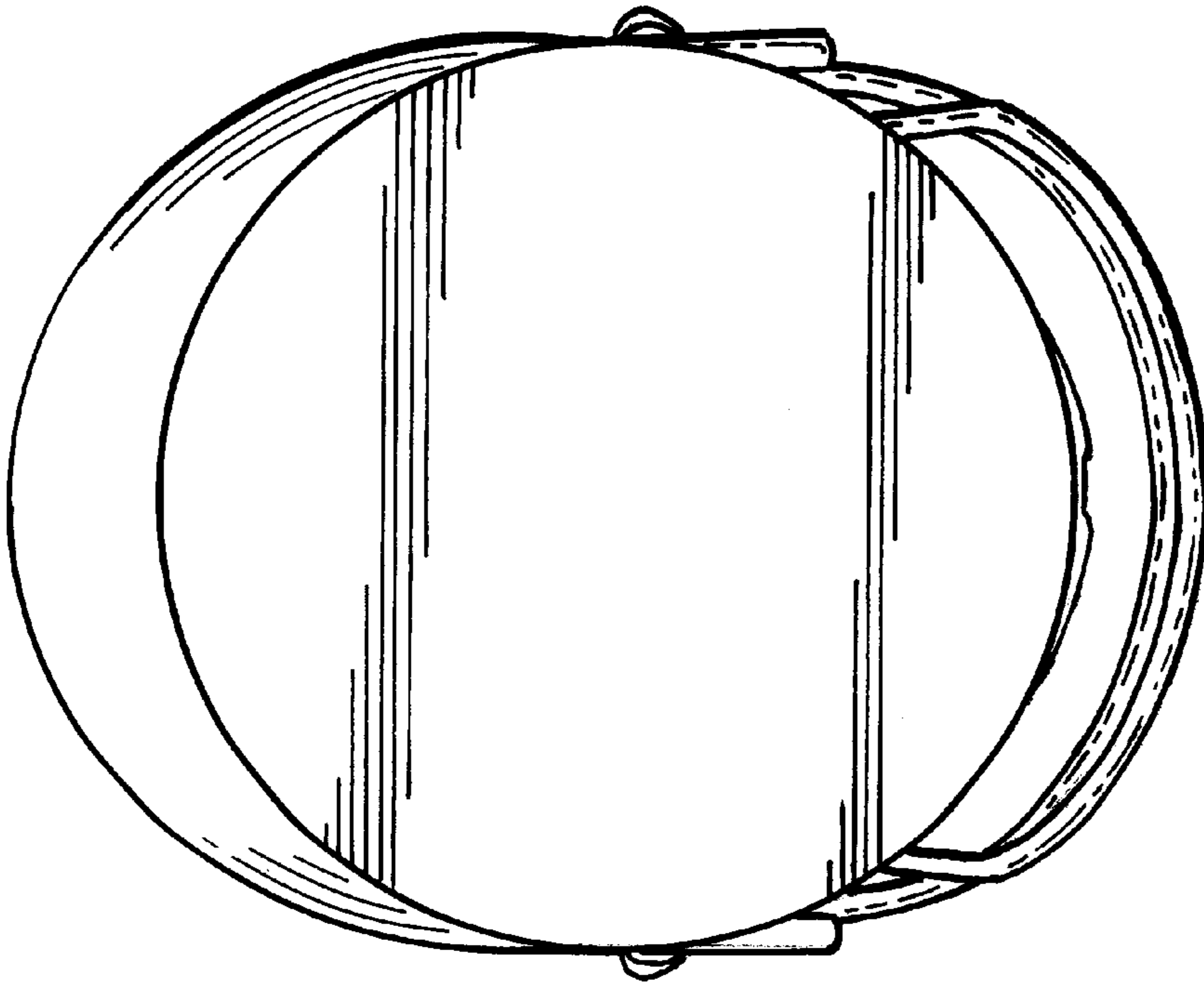


FIG. 7

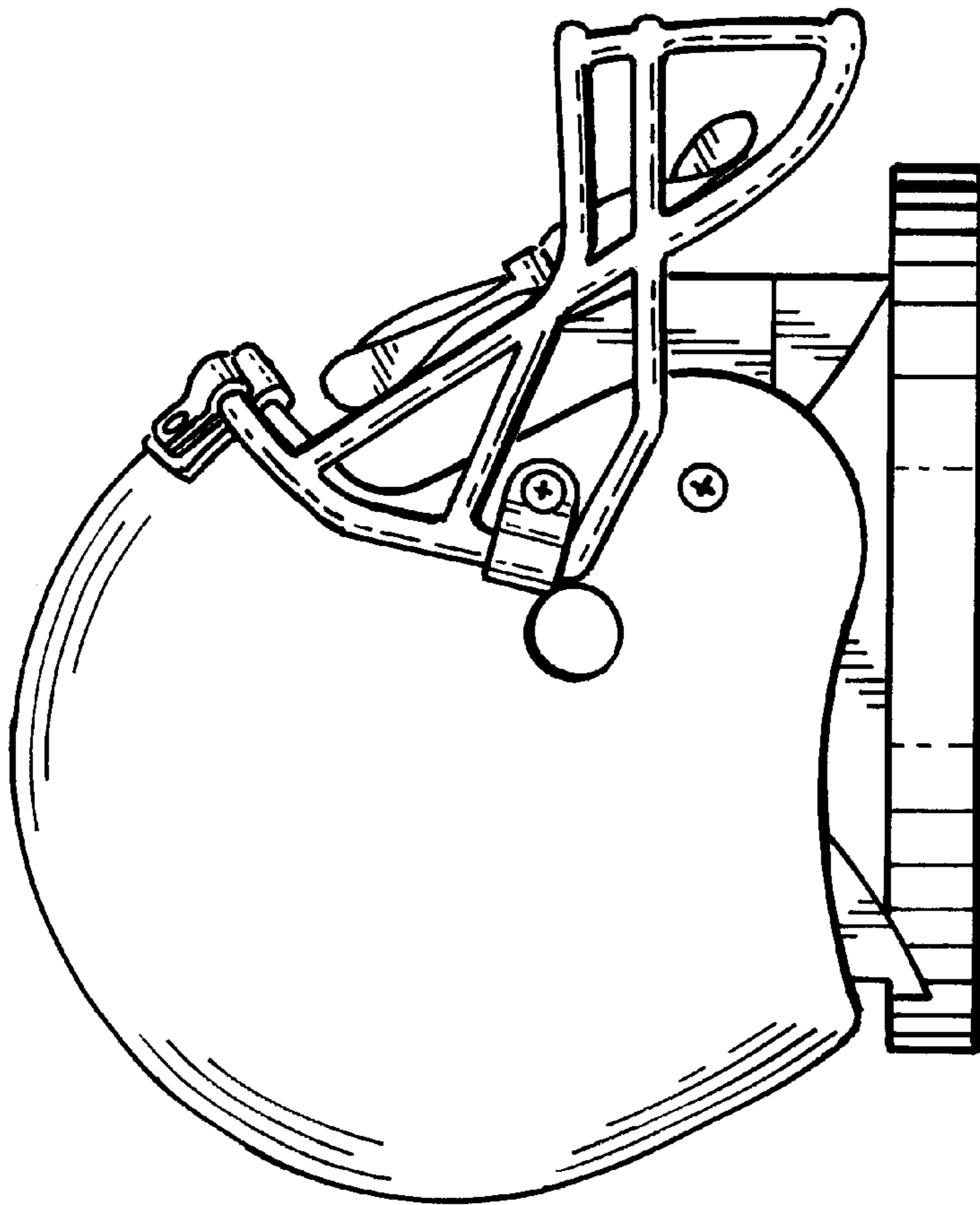


FIG. 5