



US00D456883S

(12) **United States Design Patent**  
**Chen**

(10) **Patent No.:** **US D456,883 S**

(45) **Date of Patent:** **\*\* May 7, 2002**

(54) **TOILET FIXTURE**

(76) Inventor: **Joe Chen**, 40 Bedminster Rd.,  
Randolph, NJ (US) 07869

(\*\*) Term: **14 Years**

(21) Appl. No.: **29/143,112**

(22) Filed: **Jun. 7, 2001**

(51) **LOC (7) Cl.** ..... **23-02**

(52) **U.S. Cl.** ..... **D23/301**

(58) **Field of Search** ..... D23/270-272,  
D23/295, 296, 299-301, 303, 309-313;  
4/667, 300, 329, 353-354, 419-420, 420.3,  
443, 446, 449, 460, 476-477, 479-483,  
902, DIG. 12, DIG. 15

(56) **References Cited**

**U.S. PATENT DOCUMENTS**

D323,381 S	*	1/1992	McKeone et al.	.....	D23/313
D323,880 S	*	2/1992	McKeone et al.	.....	D23/295
D359,548 S	*	6/1995	Chen	.....	D23/295
D359,549 S	*	6/1995	Chen	.....	D23/313
D444,864 S	*	7/2001	McKeone	.....	D23/301

**OTHER PUBLICATIONS**

Kohler, WI: The Bold Look of Kohler catalog, Form 1000980-A4/00: Portrait Comfort Height Toilet #3357, (c) 2000.\*

\* cited by examiner

*Primary Examiner*—Louis S. Zarfes

*Assistant Examiner*—Robert A. Delehanty

(74) *Attorney, Agent, or Firm*—Dilworth & Barrese, LLP

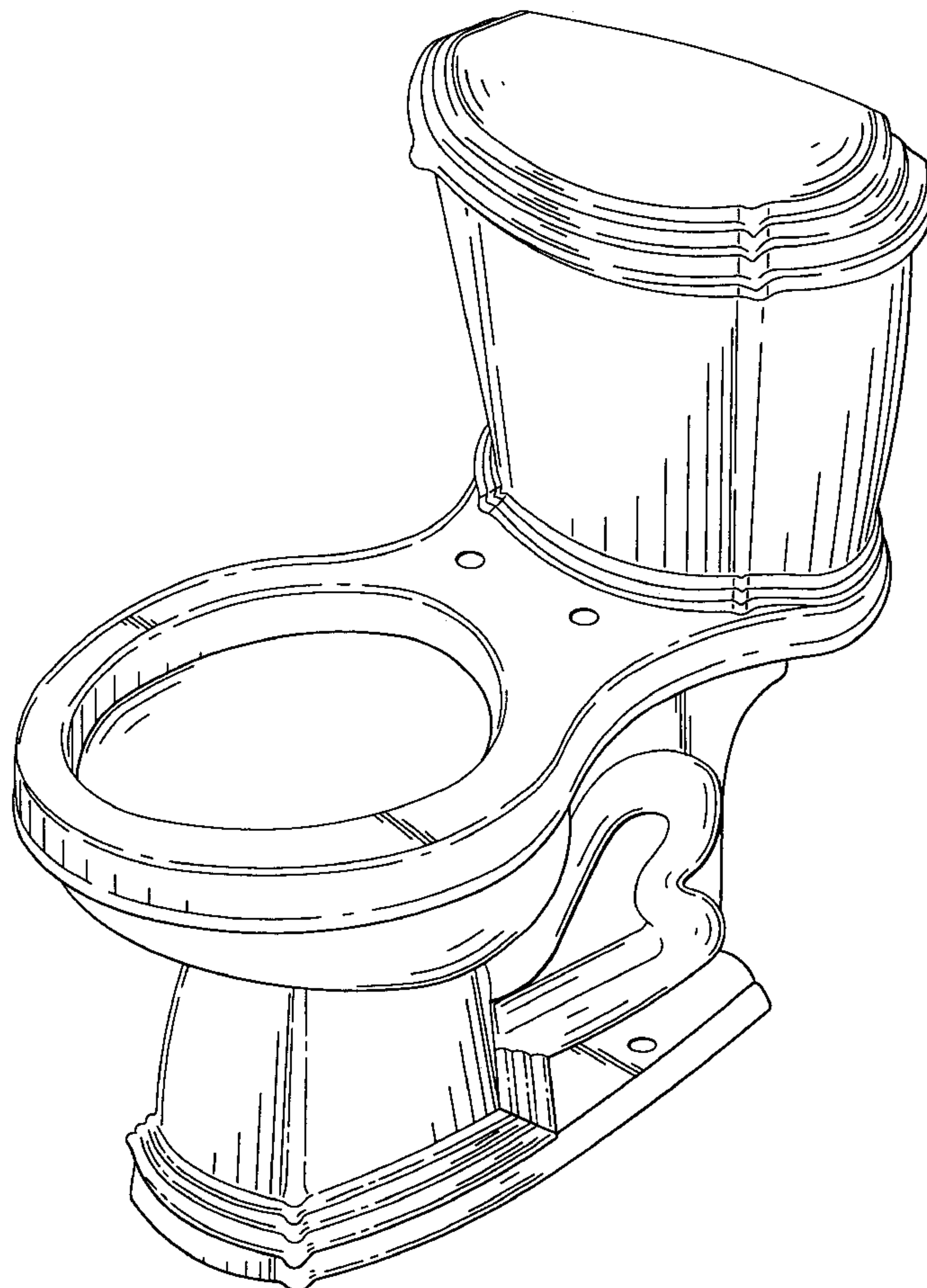
(57) **CLAIM**

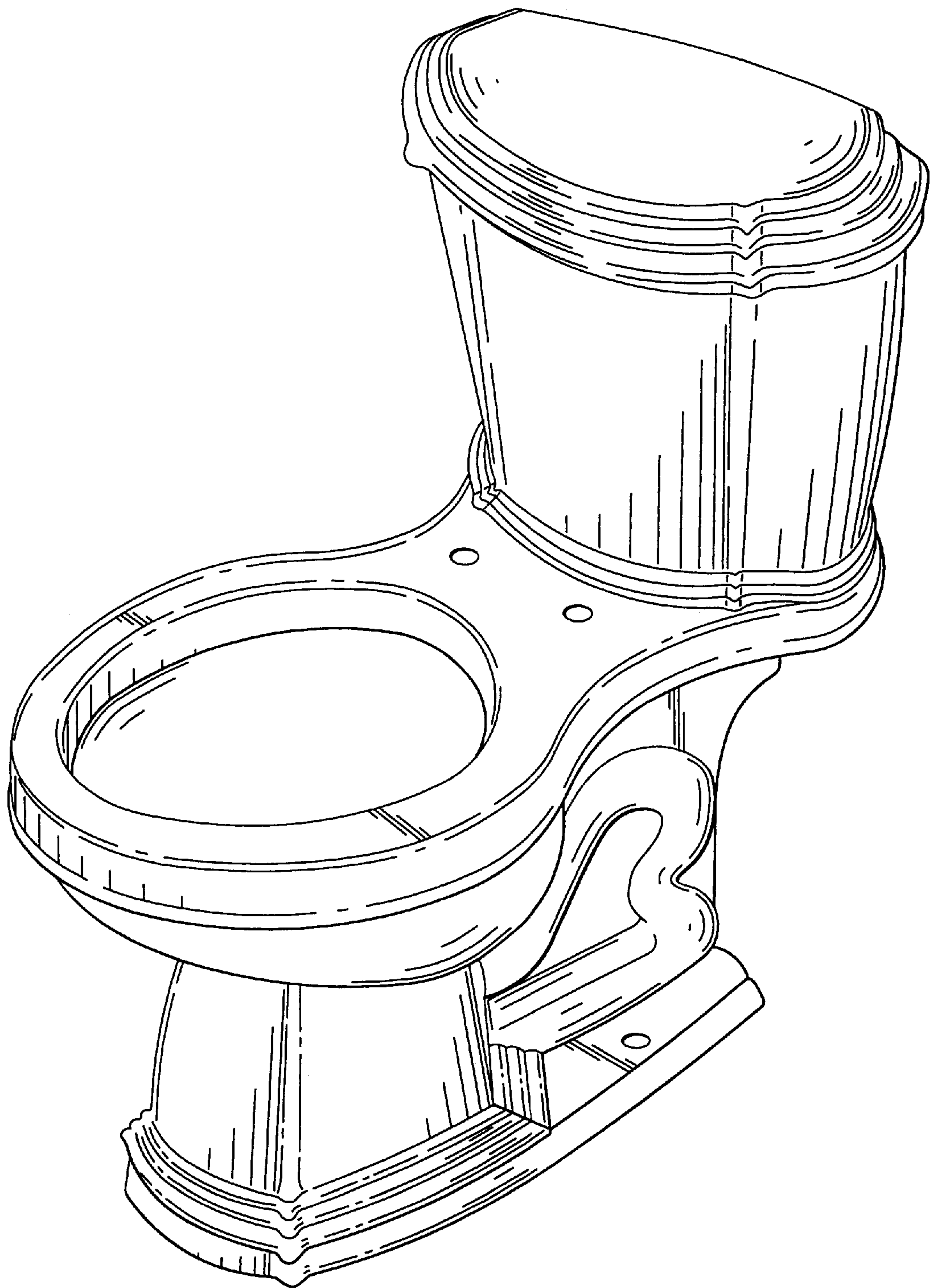
The ornamental design for a toilet fixture, as shown and described.

**DESCRIPTION**

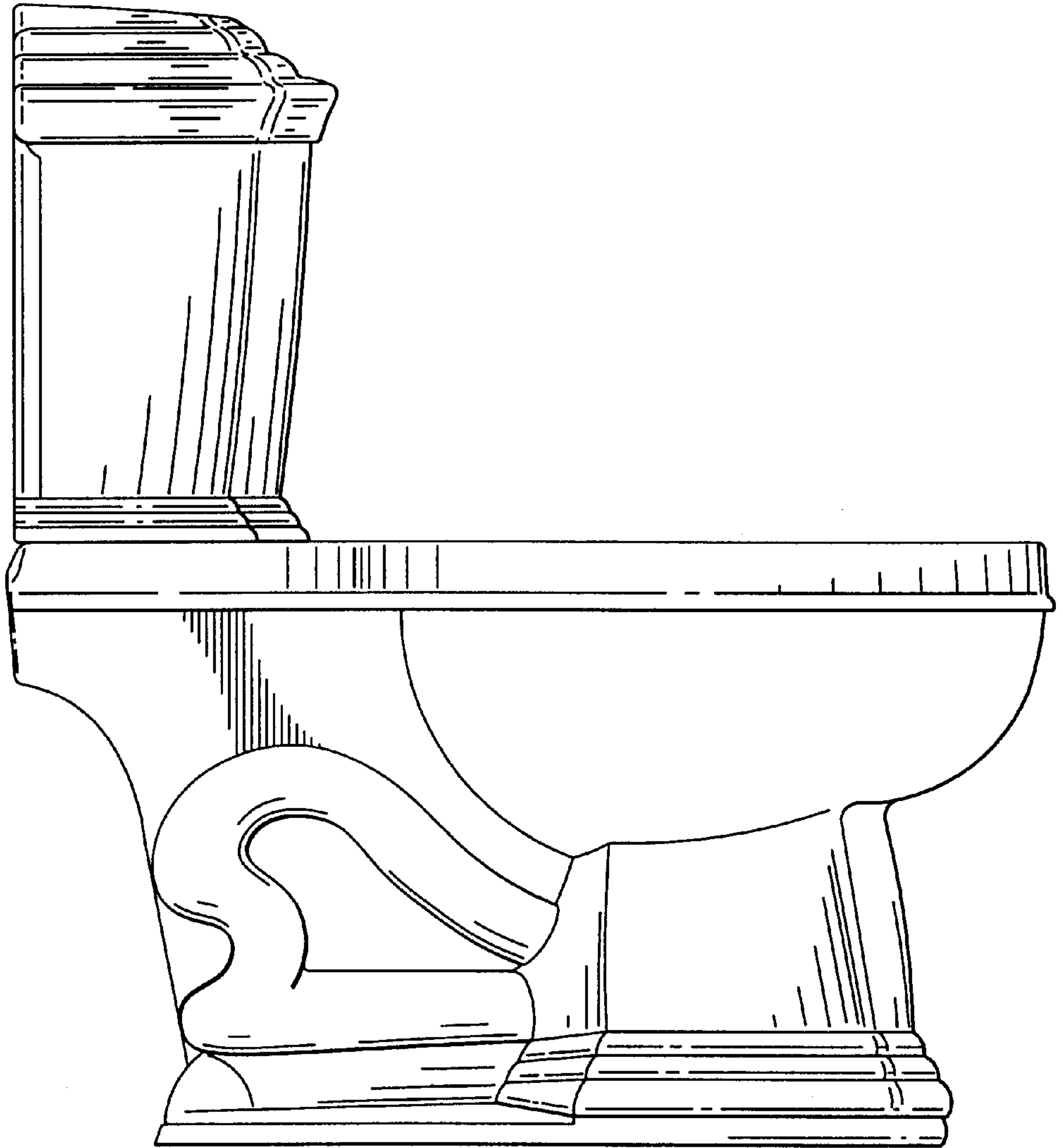
FIG. 1 is a perspective view of the toilet fixture;  
FIG. 2 is a right side elevational view of the toilet fixture, the left side elevational view being a mirror image of the right side elevational view;  
FIG. 3 is a front elevational view of the toilet fixture;  
FIG. 4 is a rear elevational view of the toilet fixture; and,  
FIG. 5 is a top plan view of the toilet fixture.

**1 Claim, 5 Drawing Sheets**

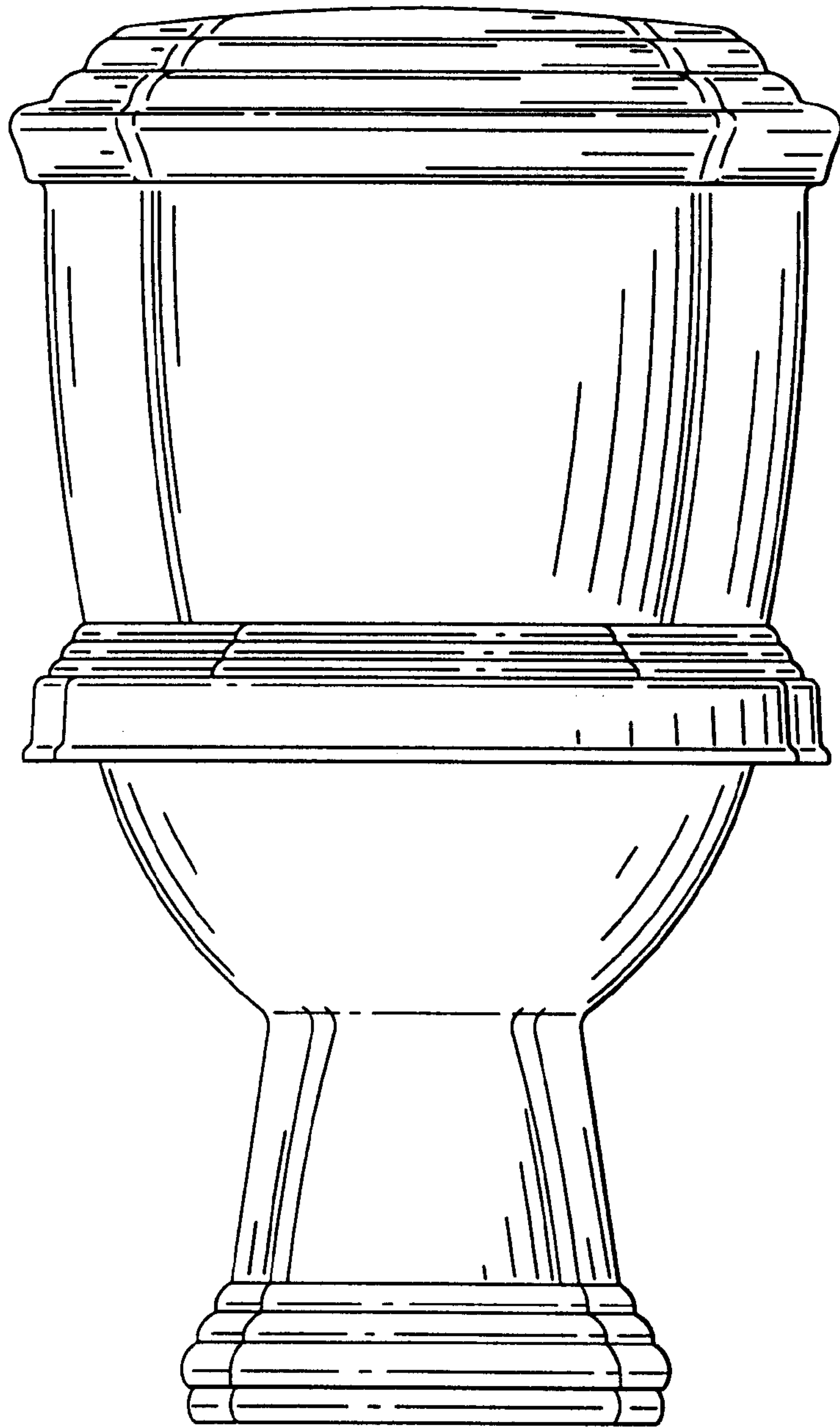




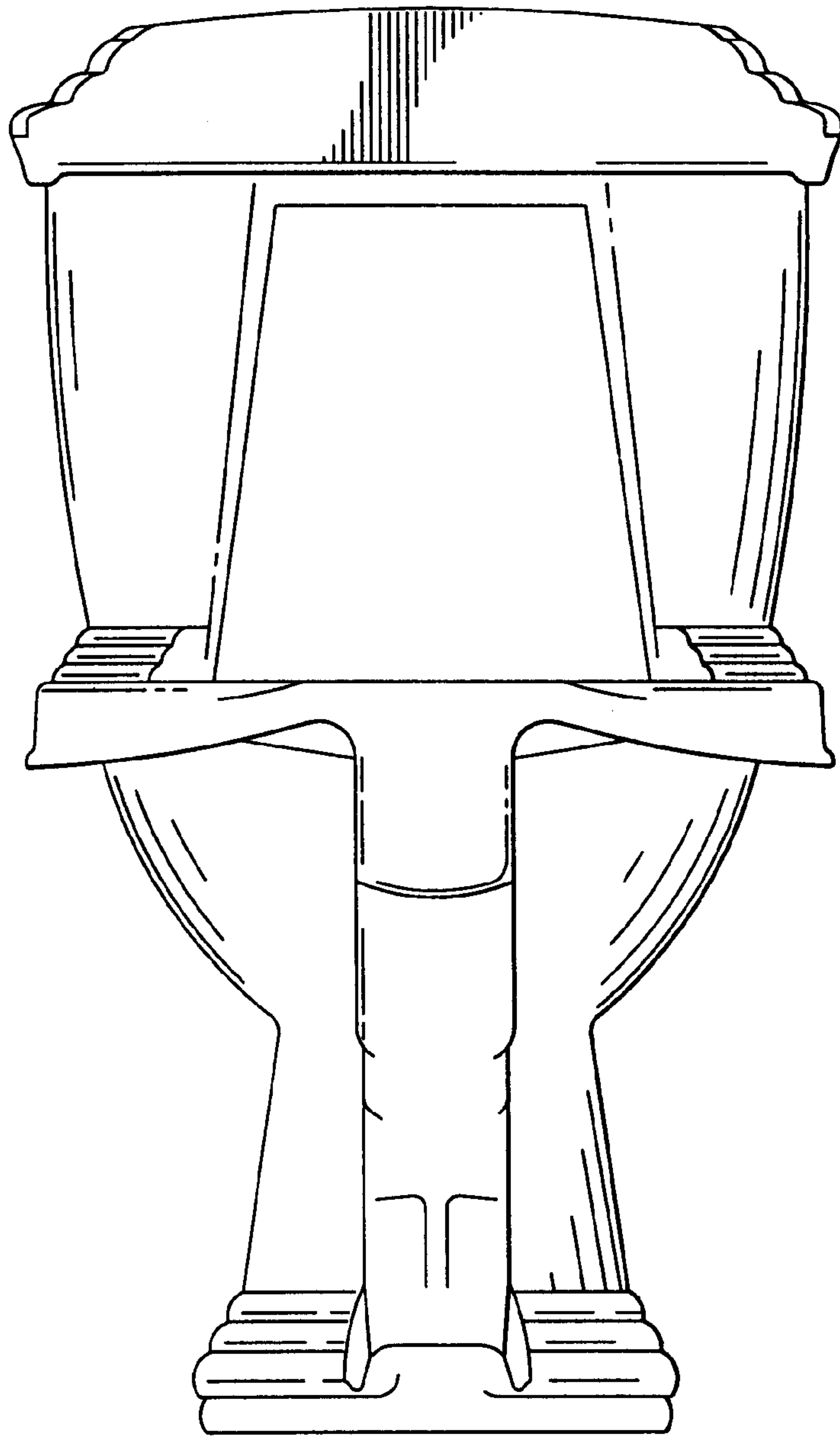
**FIG 1**



**FIG 2**

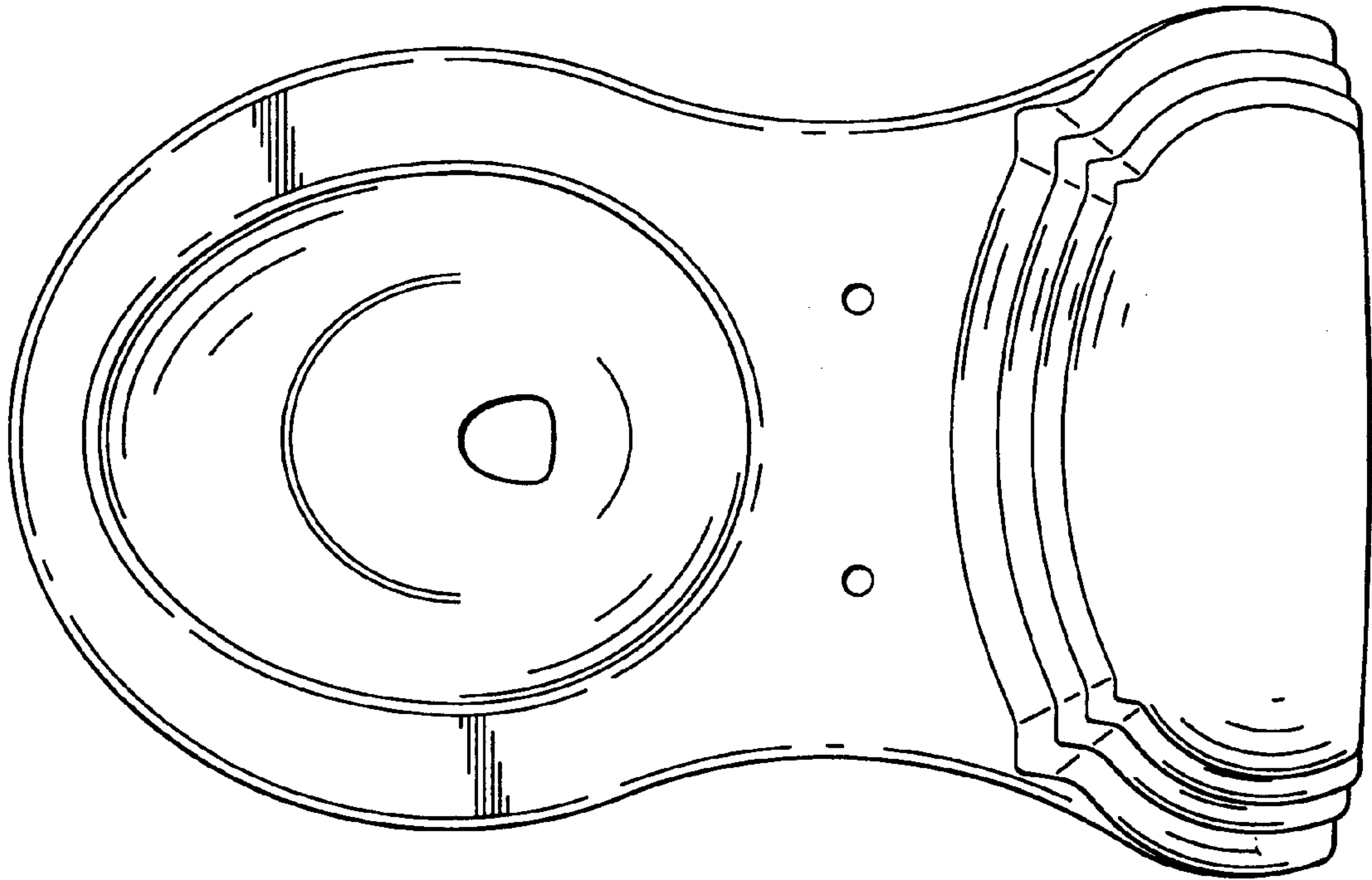


**FIG 3**



**FIG 4**





**FIG 5**