



US00D456882S

(12) **United States Design Patent**
Funk, Jr.

(10) **Patent No.:** **US D456,882 S**

(45) **Date of Patent:** **** May 7, 2002**

(54) **TUB FOR BATHING**

D129,381 S * 9/1941 Keller D23/280.4
D155,171 S * 9/1949 Levy D23/278 X

(75) Inventor: **David R. Funk, Jr.**, Sheboygan, WI (US)

* cited by examiner

(73) Assignee: **Kohler Co.**, Kohler, WI (US)

Primary Examiner—Louis S. Zarfes

Assistant Examiner—Robert A. Delehanty

(**) Term: **14 Years**

(74) *Attorney, Agent, or Firm*—Quarles & Brady LLP

(21) Appl. No.: **29/146,131**

(57) **CLAIM**

(22) Filed: **Aug. 3, 2001**

The ornamental design for a tub for bathing, as shown and described.

Related U.S. Application Data

DESCRIPTION

(62) Division of application No. 29/121,341, filed on Apr. 5, 2000, now Pat. No. Des. 448,457.

In a preferred embodiment, the nature of this product is as a plumbing fixture primarily useful for washing the body of humans.

(51) **LOC (7) Cl.** **23-02**

FIG. 1 is a left, top, front perspective view of a tub for bathing embodying my new design;

(52) **U.S. Cl.** **D23/280.4**

FIG. 2 is a front elevational view thereof, the rear elevational view being a mirror image of the front elevational view shown;

(58) **Field of Search** D23/275-278,
D23/280.1, 280.2, 280.3, 280.4, 303-307;
4/538, 540, 546, 548, 554, 569, 584, 587,
592-595

FIG. 3 is a left side elevational view thereof;

FIG. 4 is a right side elevational view thereof; and,

FIG. 5 is a top plan view thereof.

(56) **References Cited**

The broken line representations of holes in FIGS. 1, 4, and 5, and of hardware in FIGS. 2 and 4, are for the purpose of illustration only, and forms no part of the claimed design.

U.S. PATENT DOCUMENTS

D22,330 S * 4/1893 Pries D23/280.4
D26,929 S * 4/1897 Ward D23/280.4
1,203,579 A * 11/1916 Callon 4/569 X

1 Claim, 2 Drawing Sheets

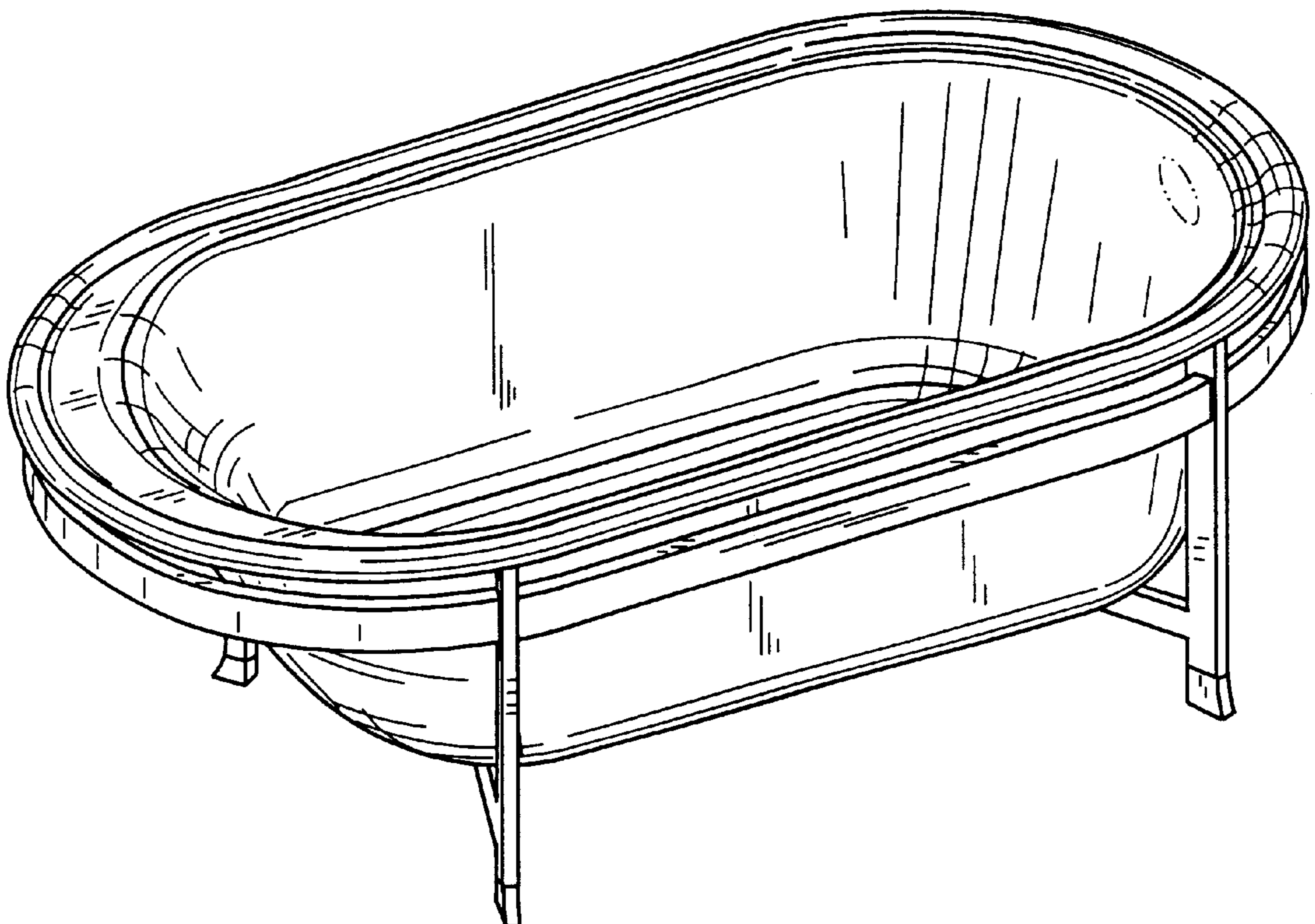


FIG. 1

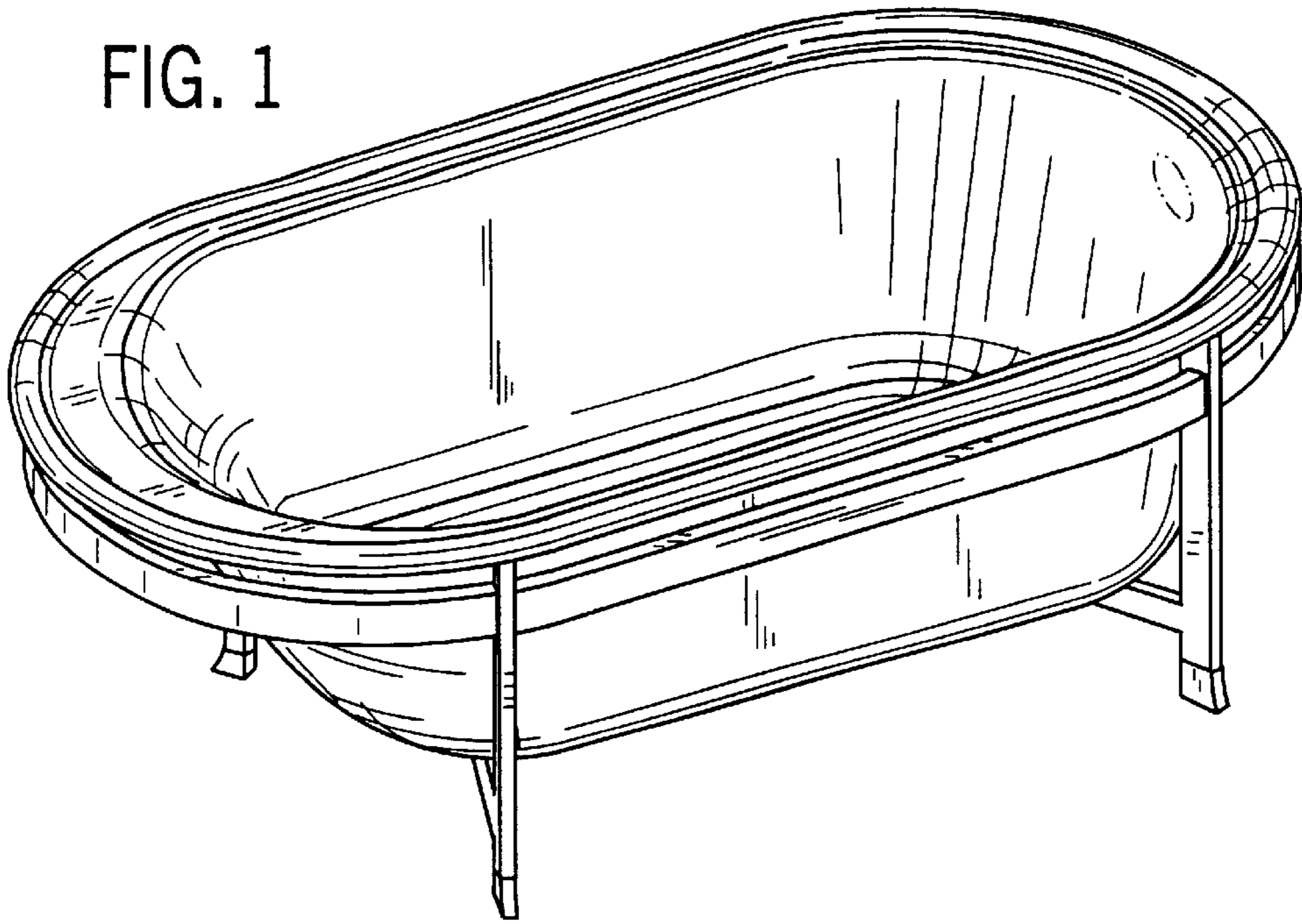


FIG. 2

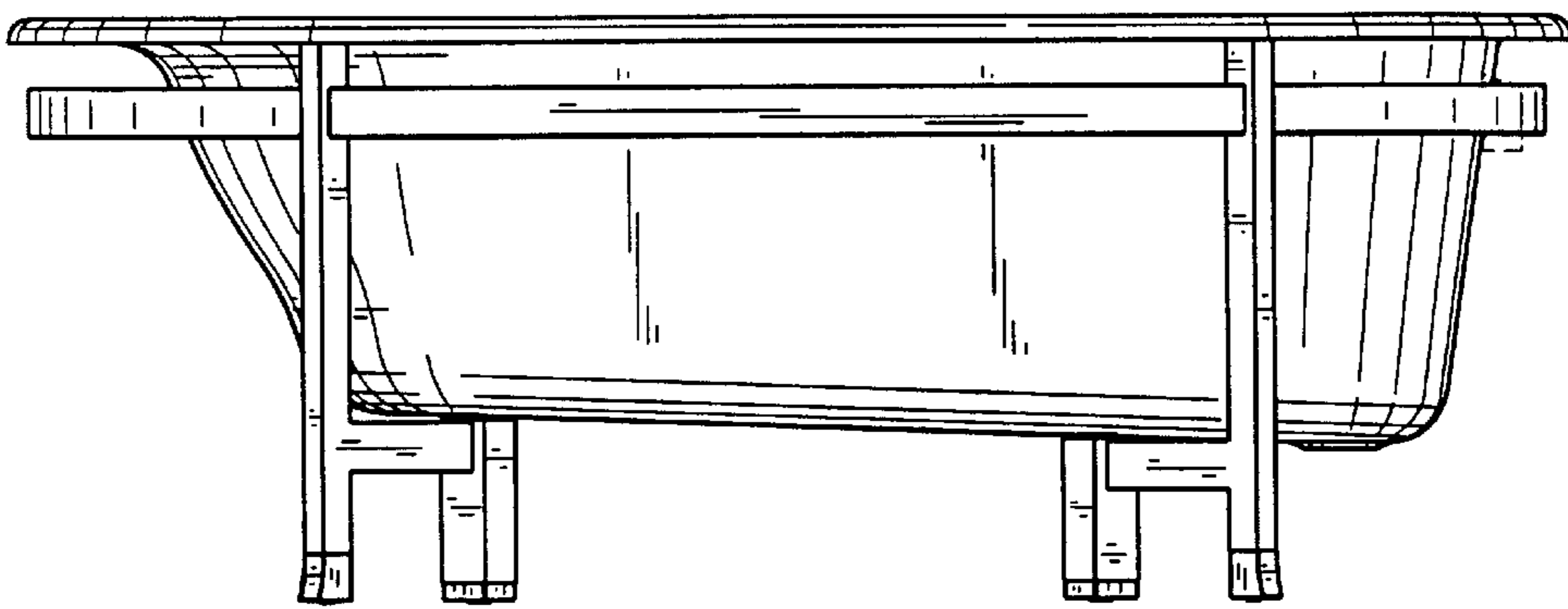


FIG. 3

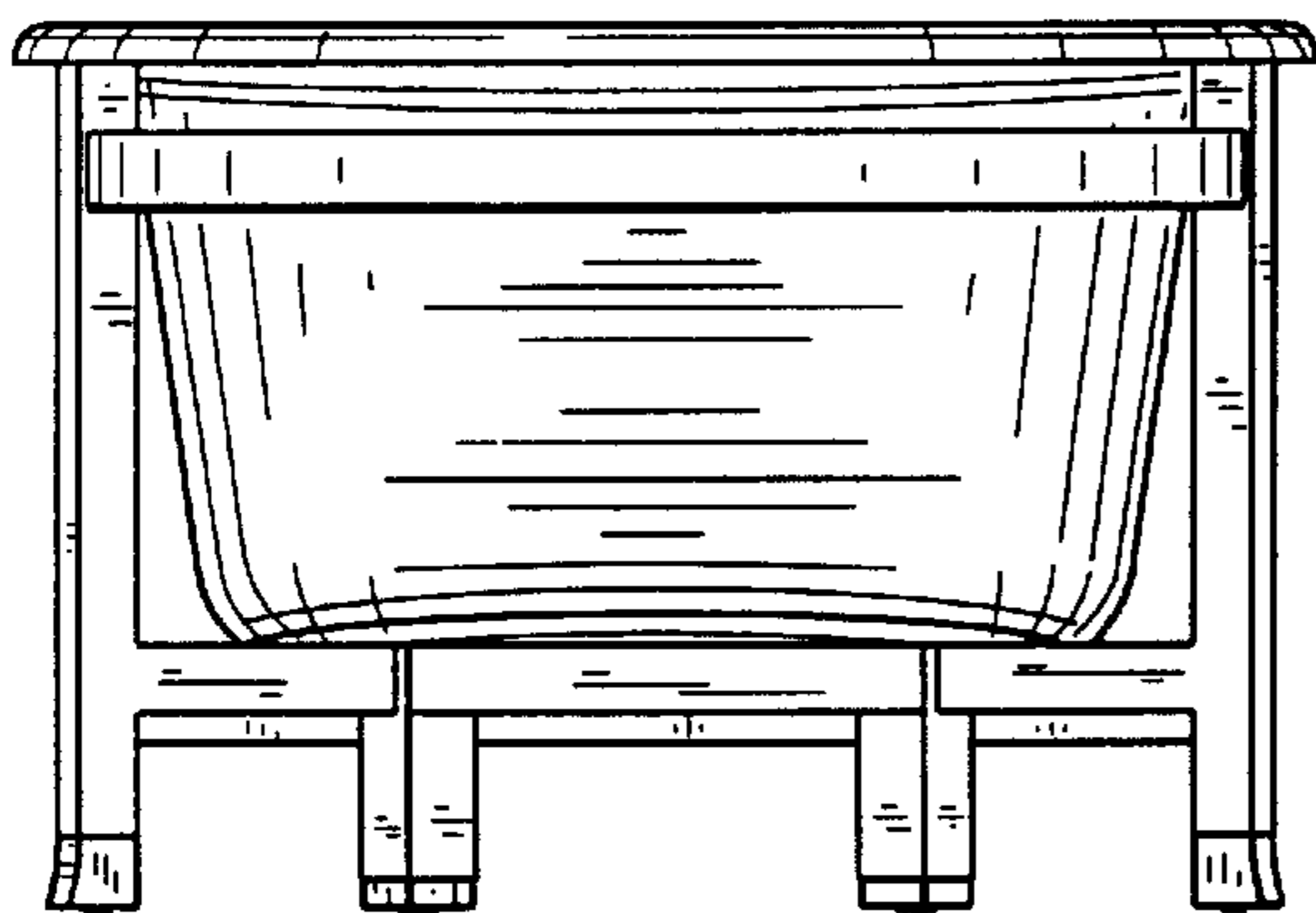


FIG. 4

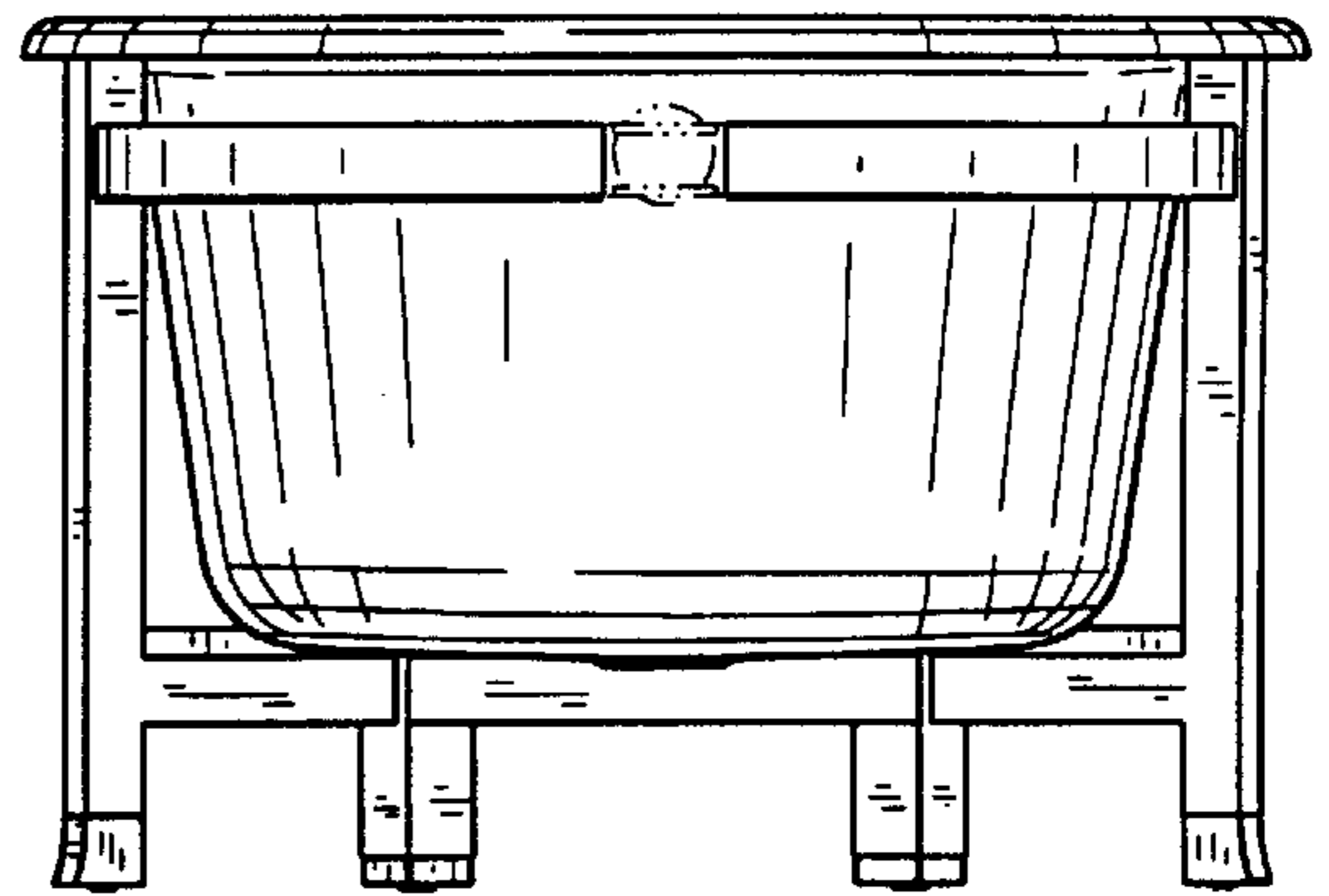


FIG. 5

