



US00D456879S

(12) **United States Design Patent**
Doughty et al.

(10) **Patent No.:** **US D456,879 S**

(45) **Date of Patent:** **** May 7, 2002**

(54) **FAUCET HANDLE ASSEMBLY**

(75) Inventors: **Frederic C. Doughty**, S. Pasadena;
Darren M. Mark, Castaic, both of CA
(US)

(73) Assignee: **Emhart Inc.**, Newark, DE (US)

(*) Notice: This patent is subject to a terminal disclaimer.

(**) Term: **14 Years**

(21) Appl. No.: **29/060,920**

(22) Filed: **Oct. 10, 1996**

Related U.S. Application Data

(62) Division of application No. 29/033,988, filed on Jan. 25, 1995, now abandoned.

(51) **LOC (7) Cl.** **23-01**

(52) **U.S. Cl.** **D23/252**

(58) **Field of Search** D23/238-243,
D23/250-257; D8/300, 307, 308; 4/675-678;
137/801; 16/110 R, 114 R

(56) **References Cited**

U.S. PATENT DOCUMENTS

| | | | | | |
|-------------|---|---------|-------------------|-------|---------|
| D25,950 S | * | 8/1896 | Totham | | D23/238 |
| D29,734 S | * | 11/1898 | Glauber | | D23/238 |
| D50,631 S | * | 4/1917 | Reid, Jr. | | D23/246 |
| 1,921,525 A | | 8/1933 | Howard et al. | | |
| D235,098 S | | 5/1975 | Doman | | |
| D265,117 S | * | 6/1982 | Fleischman et al. | | D8/307 |
| D280,008 S | | 8/1985 | Miller et al. | | |
| D280,009 S | | 8/1985 | Miller et al. | | |
| D285,106 S | | 8/1986 | Yost | | |
| D288,835 S | | 3/1987 | Yost | | |
| D288,836 S | | 3/1987 | Yost | | |
| D288,837 S | | 3/1987 | Yost | | |

| | | | | | |
|------------|---|---------|--------------------|-------|---------|
| D289,318 S | | 4/1987 | Yost | | |
| D290,388 S | | 6/1987 | Yost | | |
| D293,362 S | * | 12/1987 | Hill et al. | | D23/241 |
| D305,724 S | | 1/1990 | Mosch | | |
| D318,717 S | | 7/1991 | Spangler | | |
| D318,901 S | | 8/1991 | Rodstein | | |
| D320,335 S | | 10/1991 | Bengston | | |
| D321,629 S | * | 11/1991 | Hollinger | | D23/250 |
| D325,772 S | | 4/1992 | Carr | | |
| D325,958 S | * | 5/1992 | Stairs, Jr. et al. | | D23/250 |
| D326,504 S | * | 5/1992 | Robbins | | D23/255 |
| D327,531 S | * | 6/1992 | Ko | | D23/250 |
| D327,532 S | | 6/1992 | Ko | | |
| D332,824 S | | 1/1993 | Robbins | | |
| D334,230 S | | 3/1993 | Bonnell | | |

* cited by examiner

Primary Examiner—Louis S. Zarfes

Assistant Examiner—Eric Watterson

(74) *Attorney, Agent, or Firm*—J. Bruce Hoofnagle

(57) **CLAIM**

The ornamental design for faucet handle assembly, as shown and described.

DESCRIPTION

FIG. 1 is a front view of our new design of a handle assembly, a rear view thereof being a mirror image of the front view;

FIG. 2 is a top view of our new design of the handle assembly;

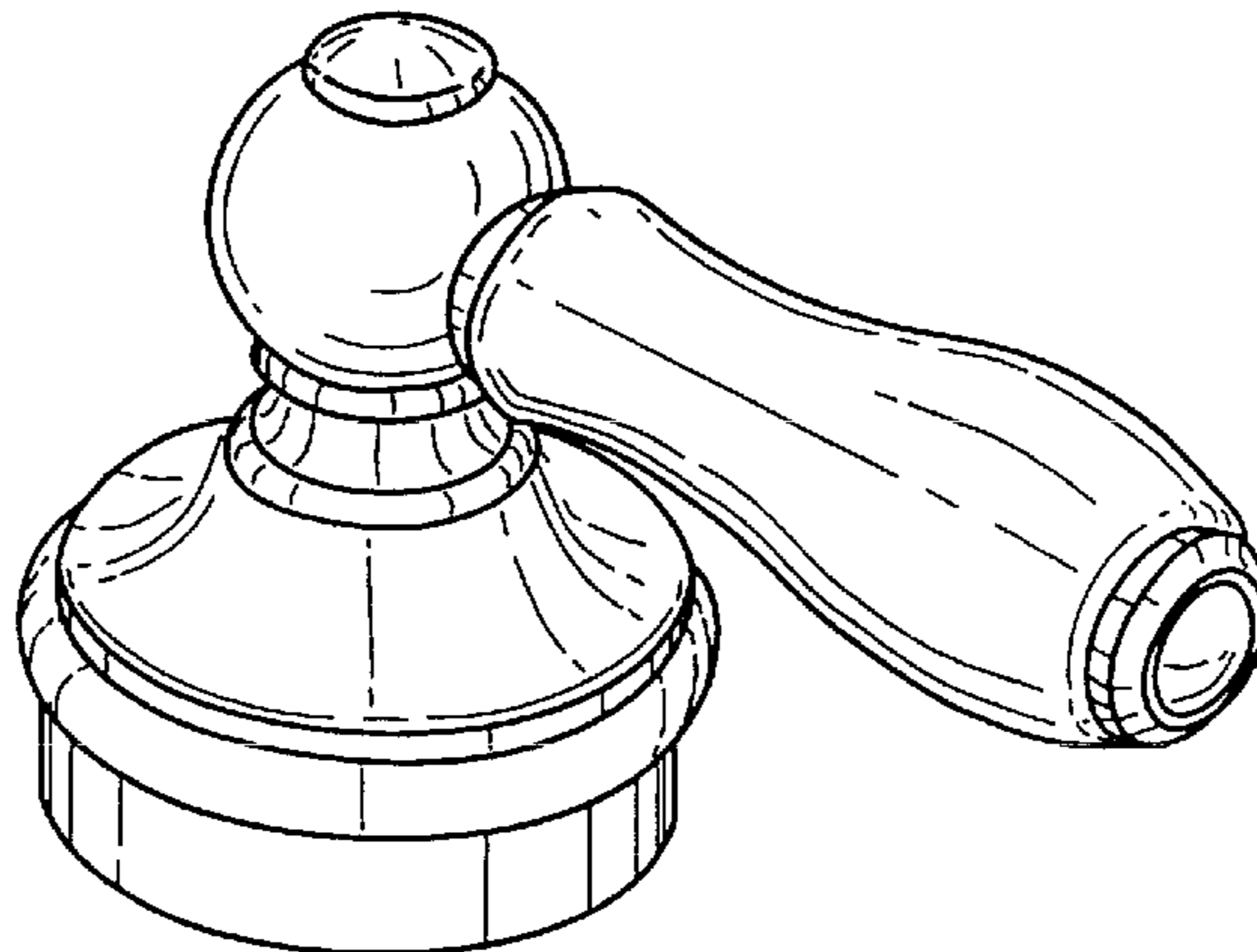
FIG. 3 is a bottom view of our new design of the handle assembly;

FIG. 4 is a left side view of our new design of the handle assembly;

FIG. 5 is a right side view of our new design of the handle assembly; and,

FIG. 6 is a perspective view of our new design of the handle assembly.

1 Claim, 2 Drawing Sheets



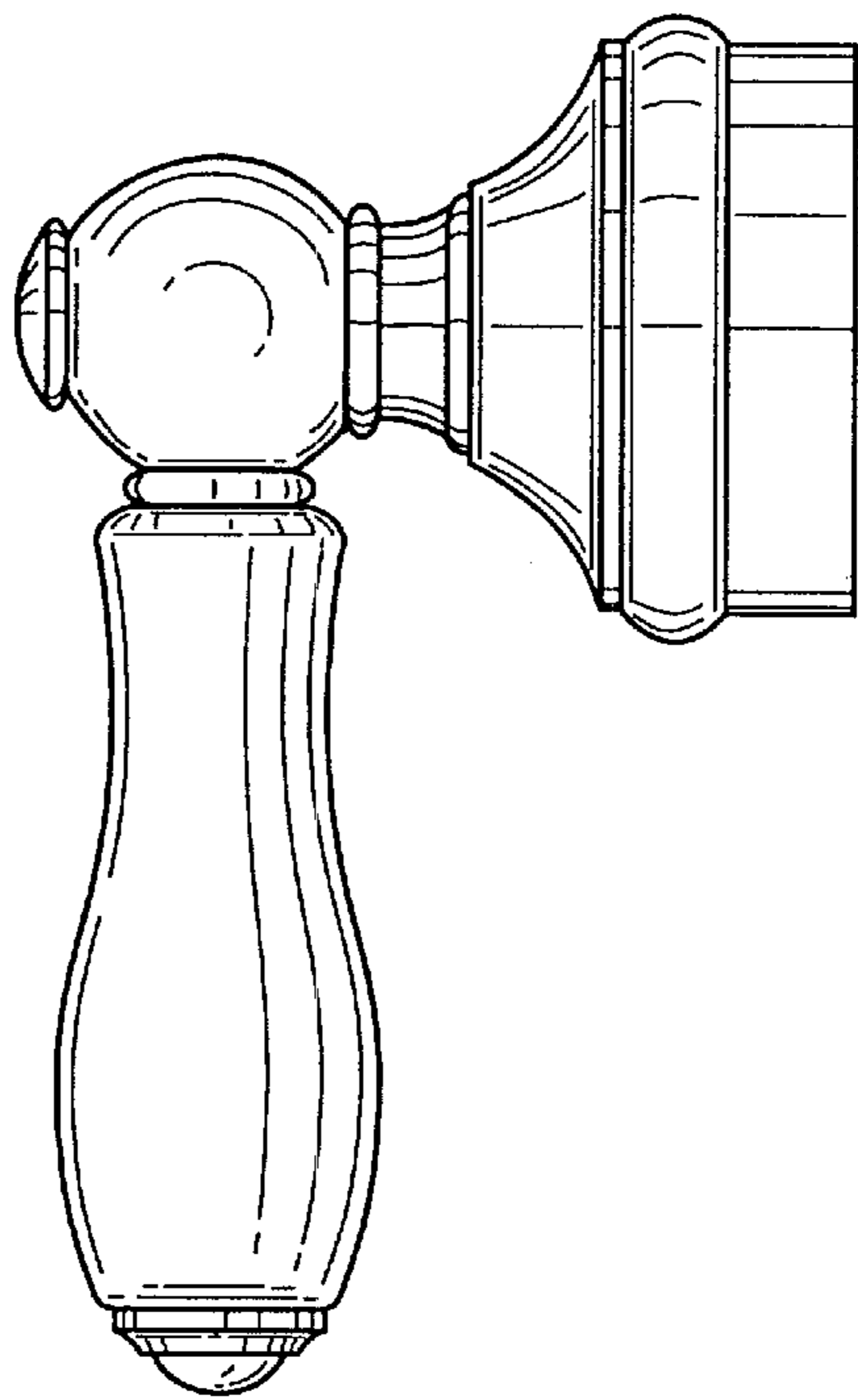


Fig. 1

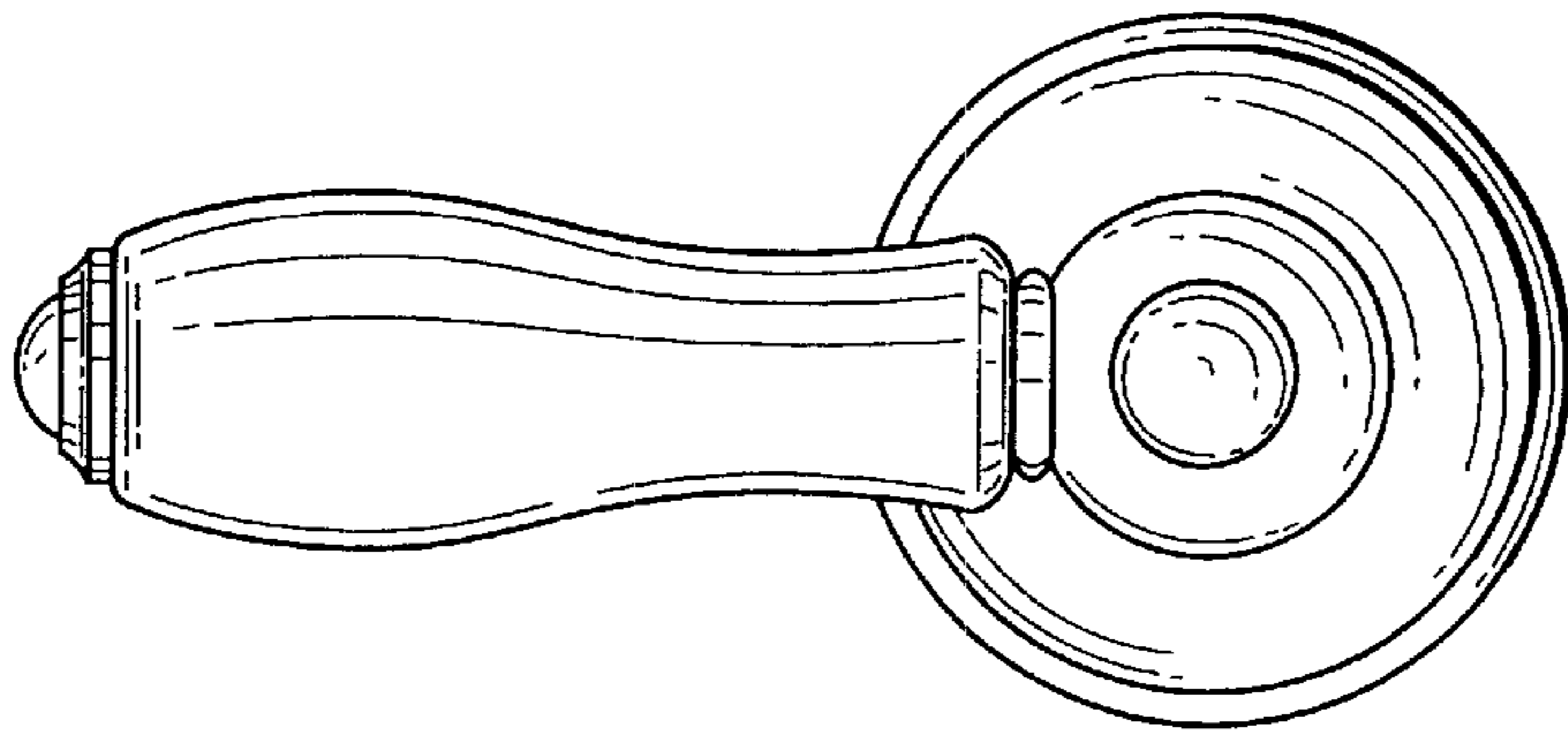


Fig. 2

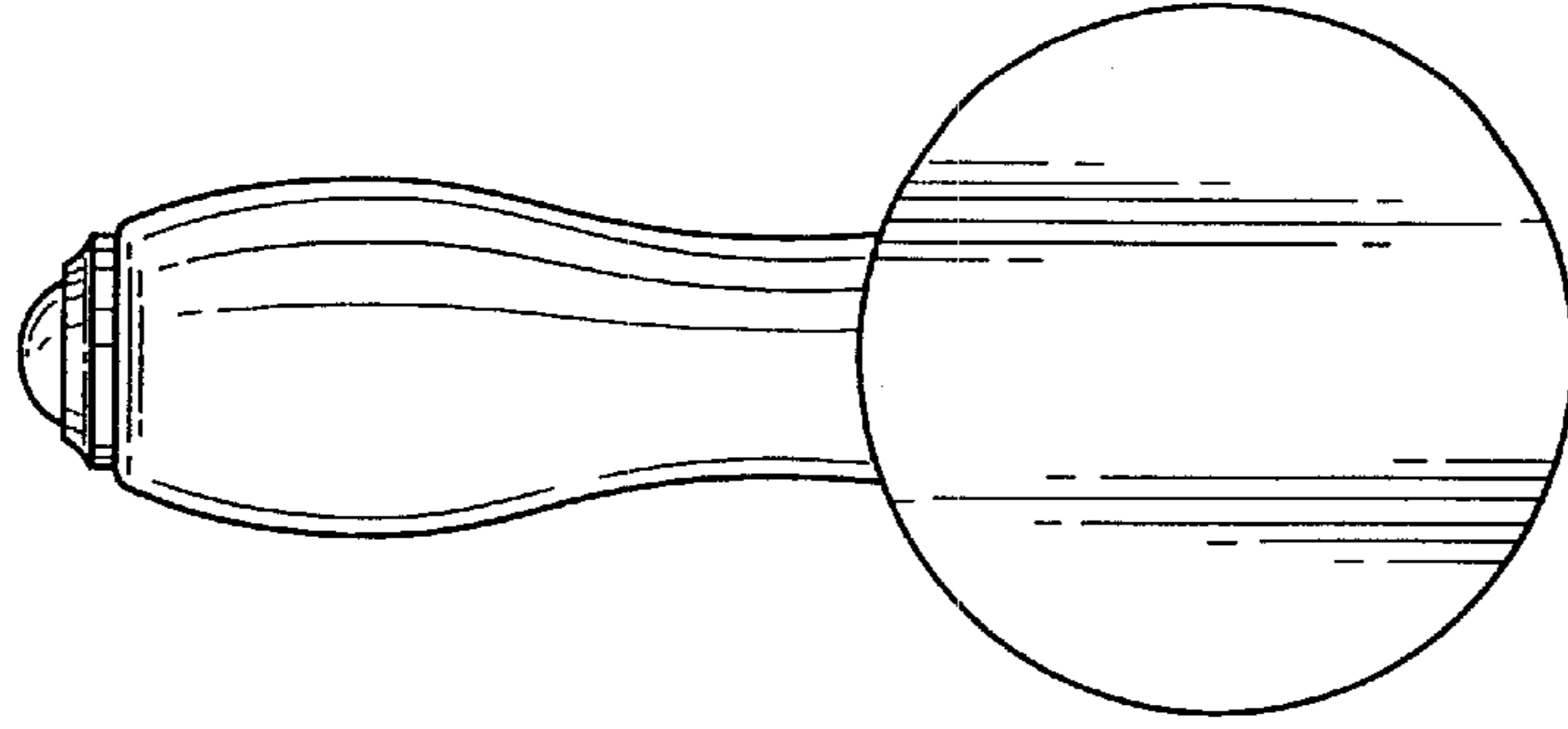


Fig. 3

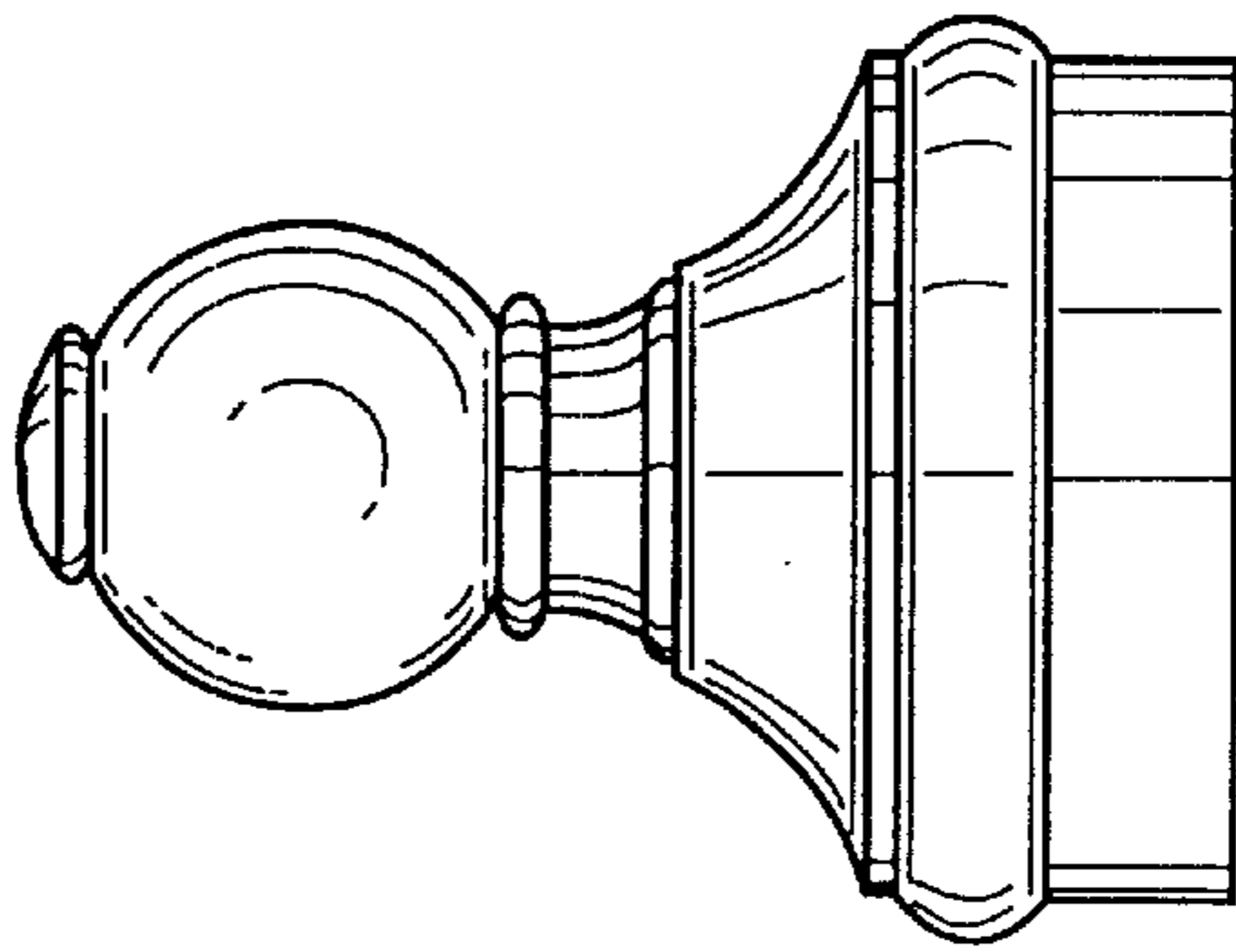


Fig. 4

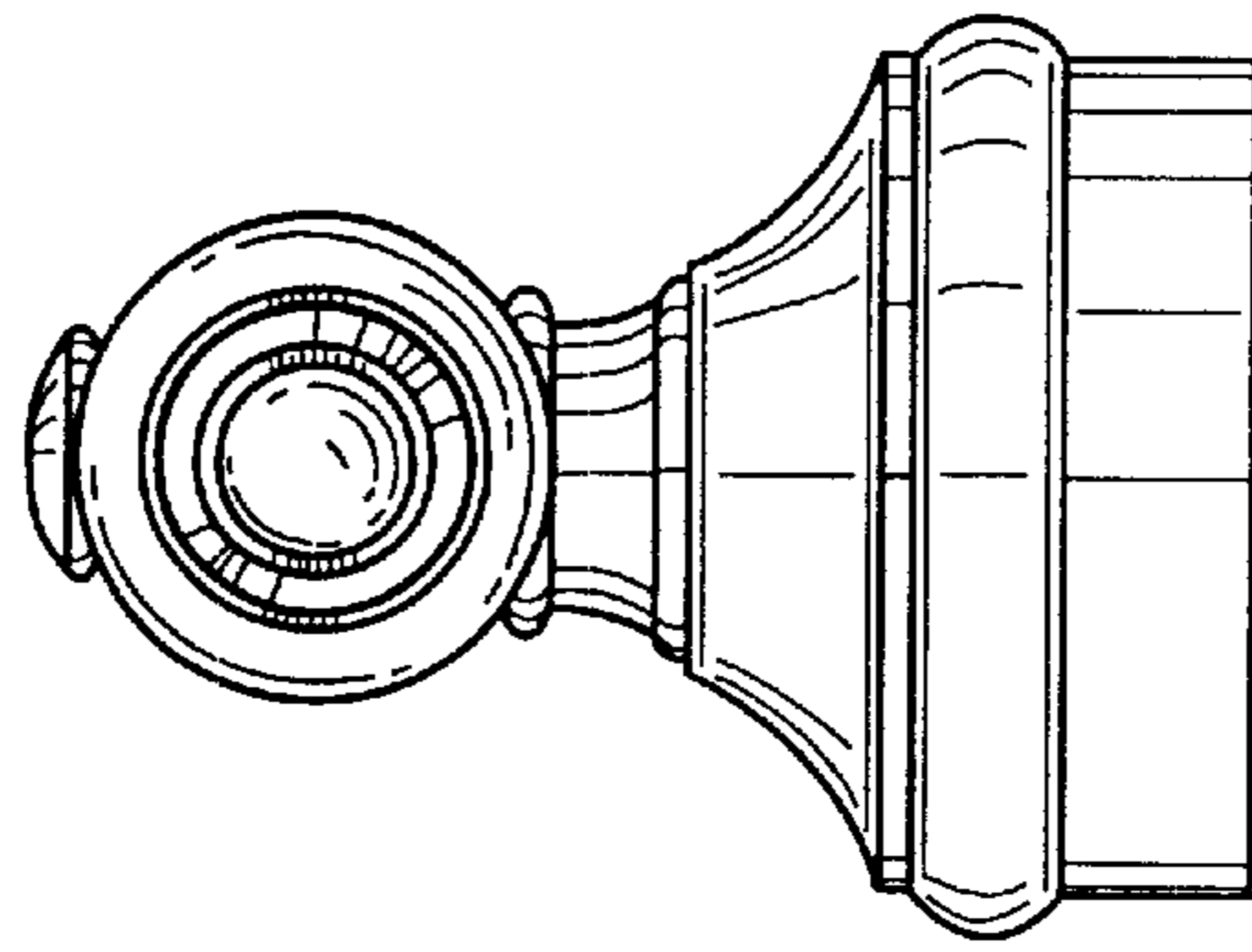


Fig. 5

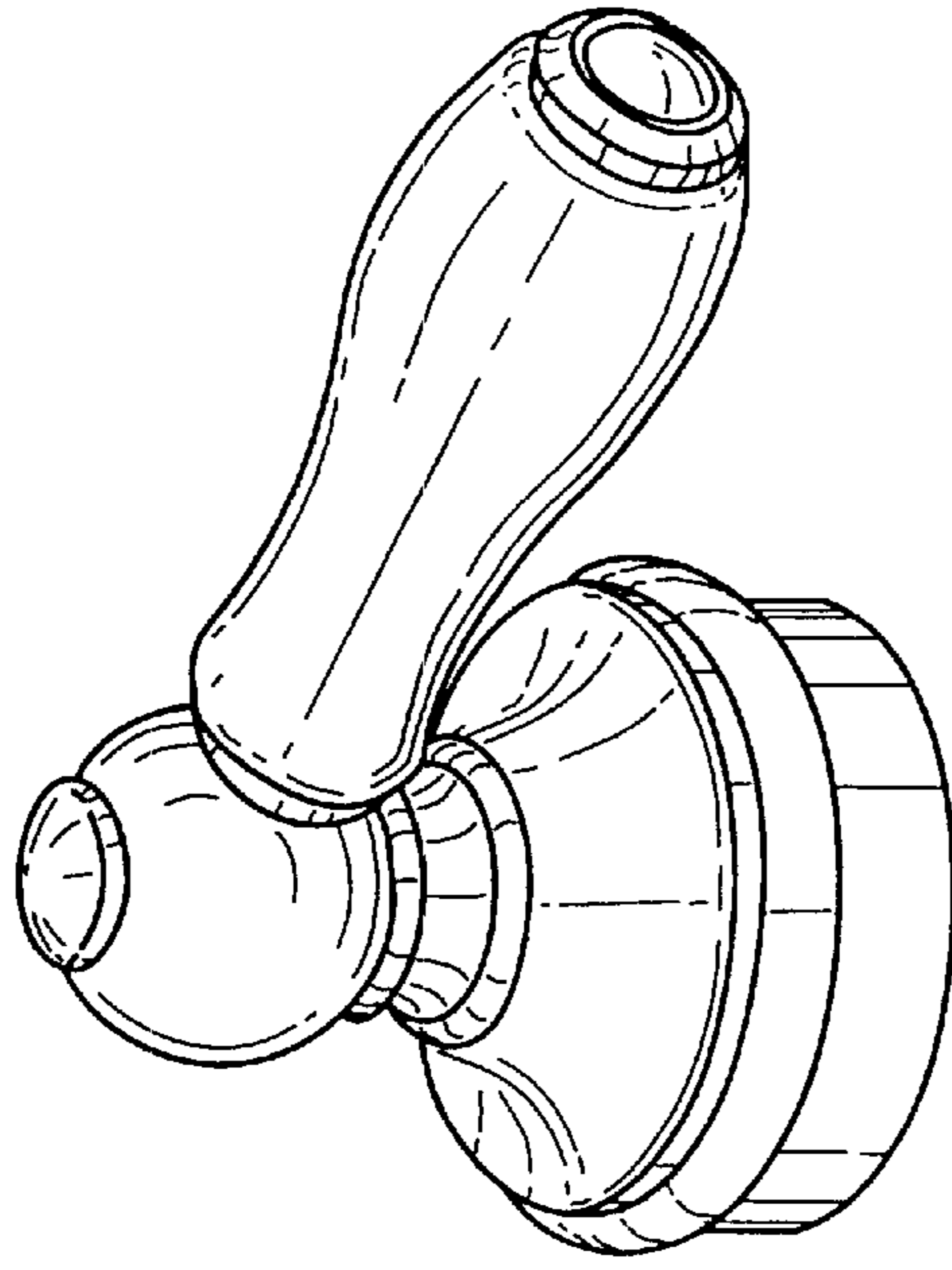


Fig. 6