



US00D456874S

(12) **United States Design Patent**  
**Park**

(10) **Patent No.:** **US D456,874 S**

(45) **Date of Patent:** **\*\* May 7, 2002**

(54) **FISHING REEL**

(75) **Inventor:** **Chang-Ho Park, Changwon (KR)**

(73) **Assignee:** **Yong Mar Engineering Co., Ltd.,  
Masa (KR)**

(\*\*) **Term:** **14 Years**

(21) **Appl. No.:** **29/121,780**

(22) **Filed:** **Apr. 11, 2000**

(30) **Foreign Application Priority Data**

Oct. 12, 1999 (KR) ..... 99-24403

(51) **LOC (7) Cl.** ..... **22-05**

(52) **U.S. Cl.** ..... **D22/137**

(58) **Field of Search** ..... D22/137, 140,  
D22/141, 138, 136, 139; 242/381, 322,  
118.3, 118.4, 118.6, 118.7, 311, 295; 43/20,  
21

(56) **References Cited**

**U.S. PATENT DOCUMENTS**

2,551,567 A \* 5/1951 Reyburn ..... 242/295

D247,442 S \* 3/1978 Hiraishi et al. .... D22/137

D308,090 S \* 5/1990 Yeh ..... D22/139

D360,928 S \* 8/1995 Bogner ..... D22/140

D412,023 S \* 7/1999 Shields ..... D22/137

\* cited by examiner

*Primary Examiner*—Catherine R. Oliver

(74) *Attorney, Agent, or Firm*—Birch, Stewart, Kolasch &  
Birch, LLP

(57) **CLAIM**

The ornamental design for a fishing reel, as shown and  
described.

**DESCRIPTION**

FIG. 1 is a front perspective view of a fishing reel showing  
my new design;

FIG. 2 is a front elevational view thereof;

FIG. 3 is a rear elevational view thereof;

FIG. 4 is a left side elevational view thereof;

FIG. 5 is a right side elevational view thereof;

FIG. 6 is a top plan view thereof; and,

FIG. 7 is a bottom plan view thereof.

**1 Claim, 4 Drawing Sheets**

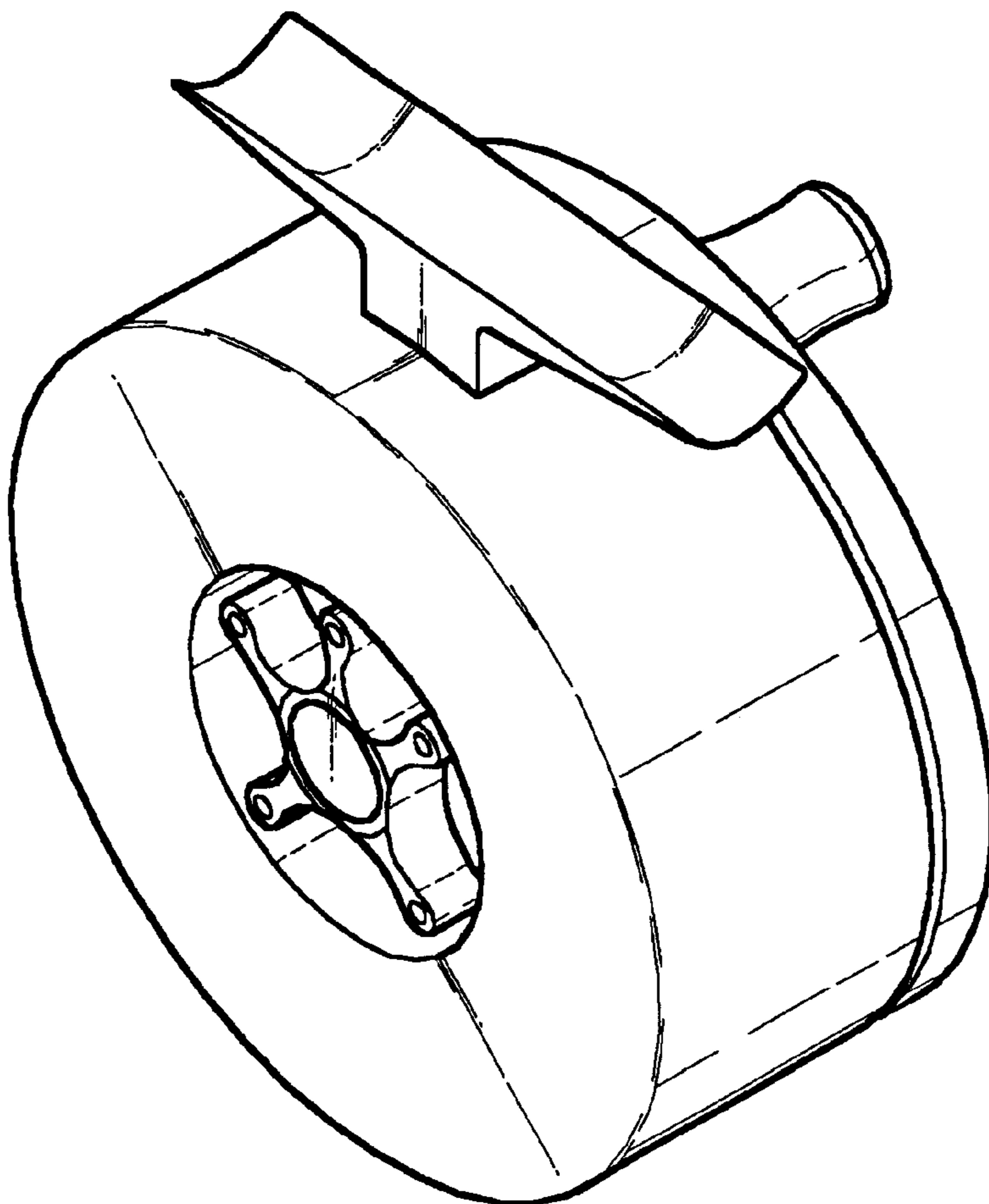


FIG. 1

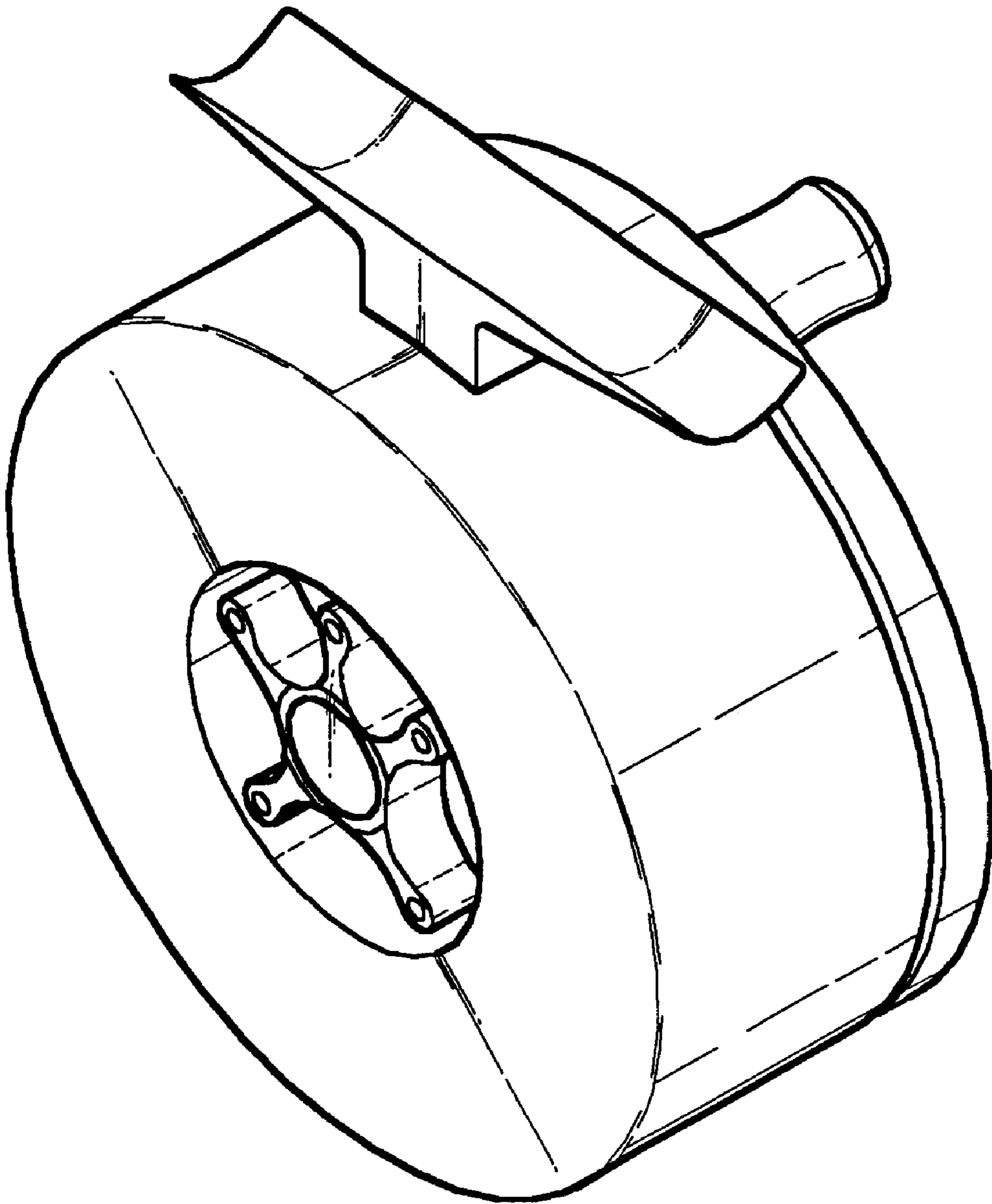


FIG. 2

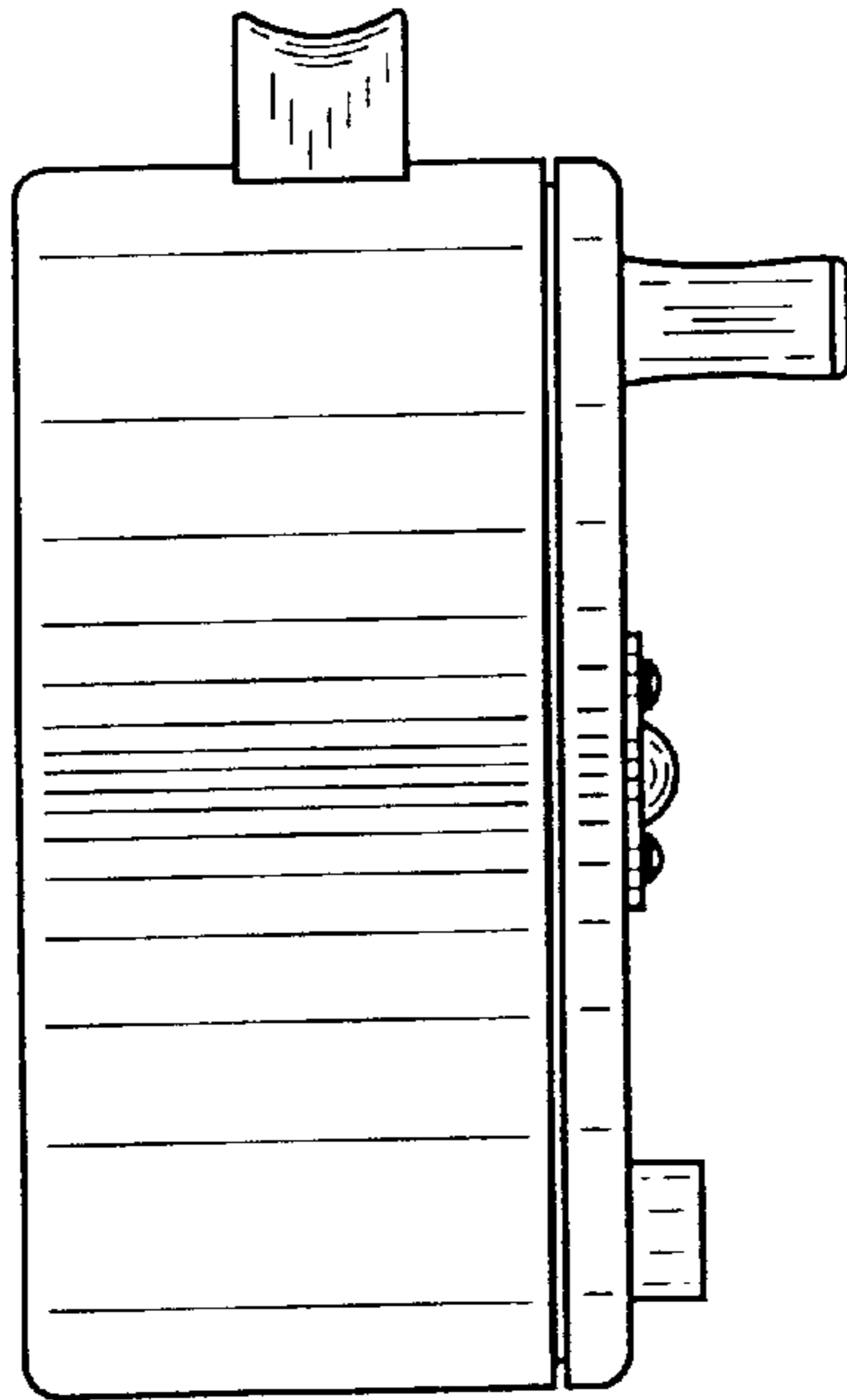


FIG. 3

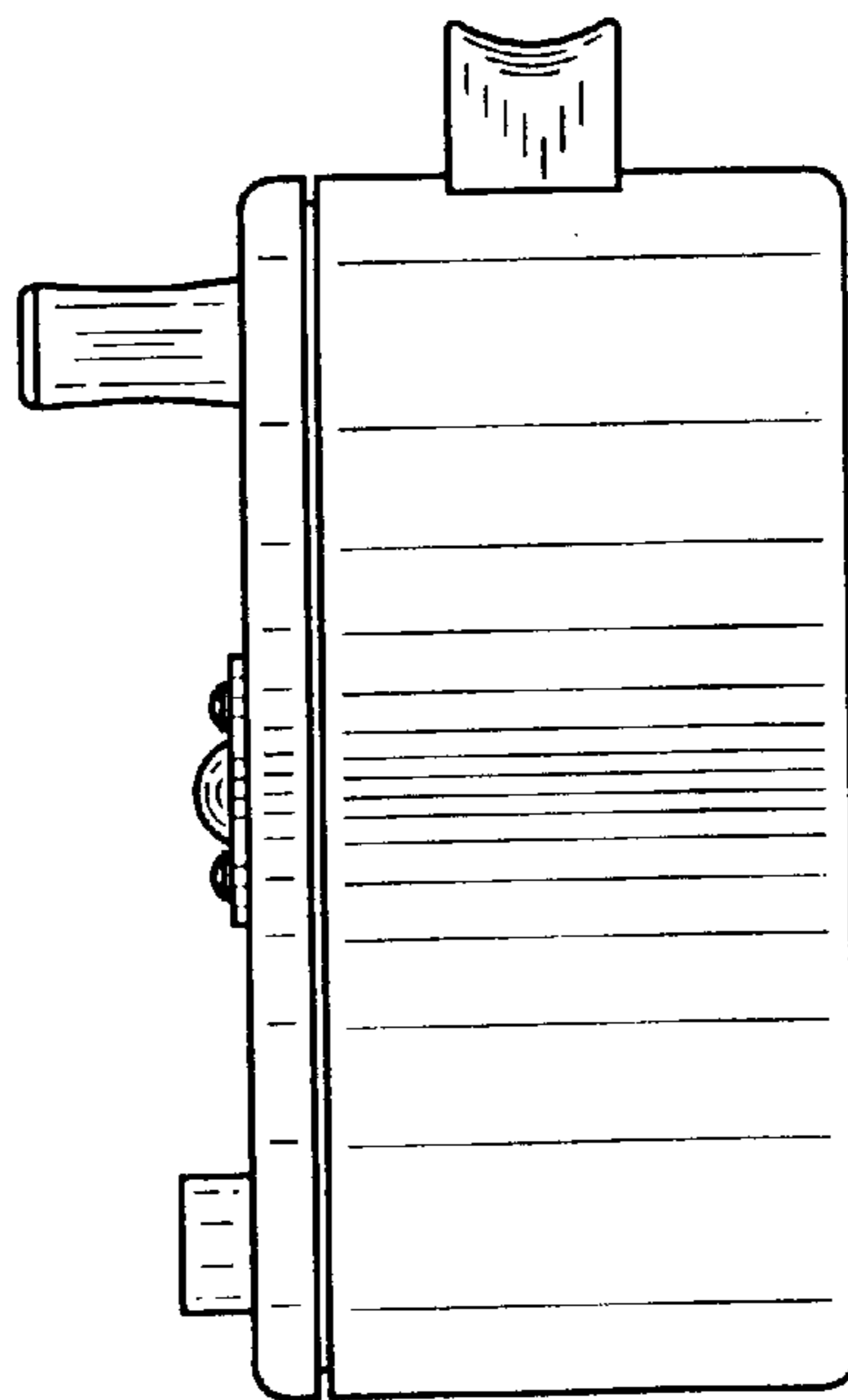


FIG. 4

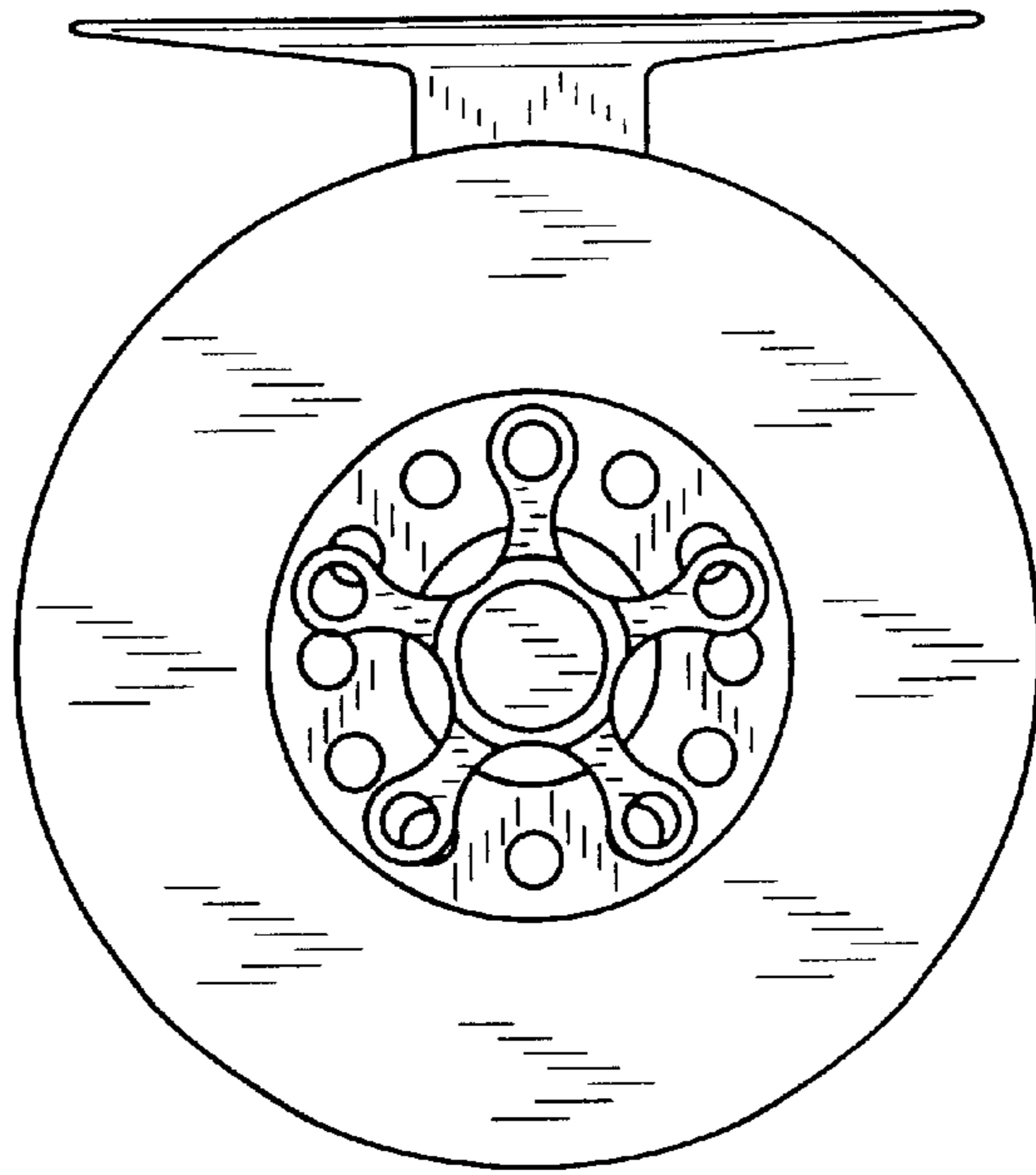


FIG. 5

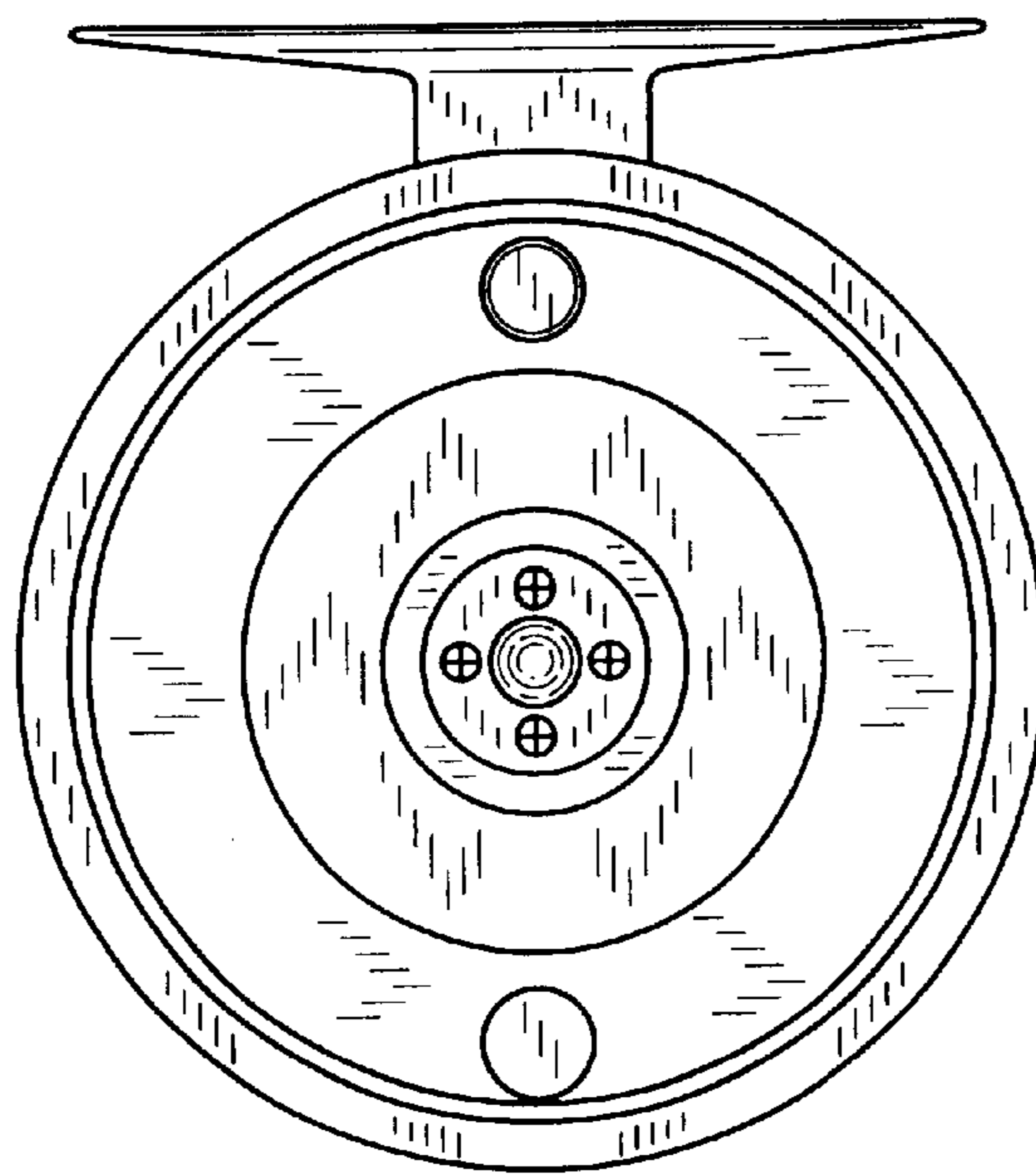


FIG. 6

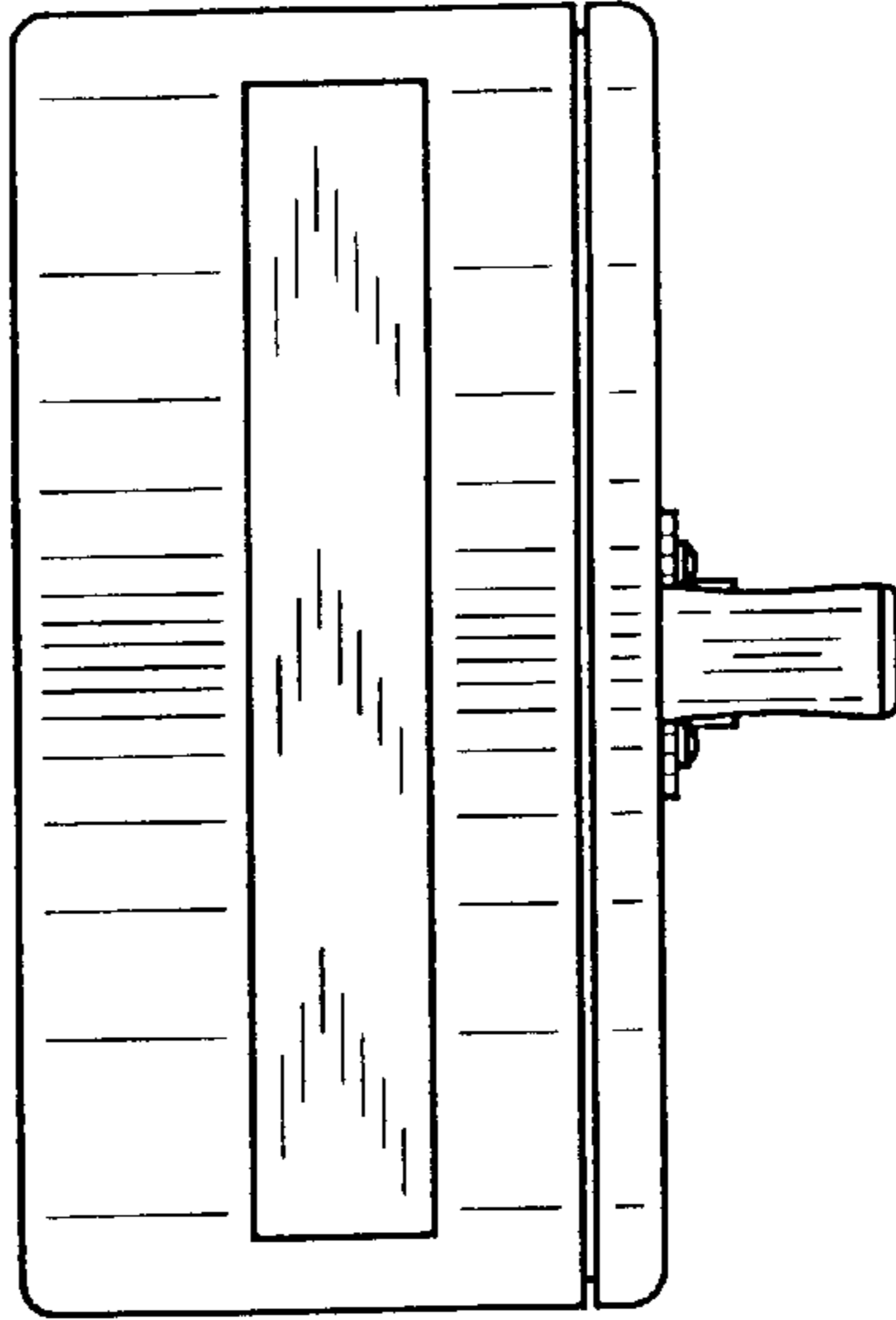


FIG. 7

