



US00D456873S

(12) **United States Design Patent**
Groom

(10) **Patent No.:** **US D456,873 S**

(45) **Date of Patent:** **** May 7, 2002**

(54) **TRAP**

(75) **Inventor:** **Murree Richard Groom, King's Lynn (GB)**

(73) **Assignee:** **Ecospray Limited, Norfolk (GB)**

(**) **Term:** **14 Years**

(21) **Appl. No.:** **29/125,361**

(22) **Filed:** **Jun. 22, 2000**

(30) **Foreign Application Priority Data**

Dec. 22, 1999 (GB) 2088976

(51) **LOC (7) Cl.** **22-06**

(52) **U.S. Cl.** **D22/119**

(58) **Field of Search** D22/119-125;
43/60, 69, 100, 103, 101, 104, 105, 65,
55, 56

(56) **References Cited**

U.S. PATENT DOCUMENTS

915,028 A * 3/1909 Kaiser 43/69

4,706,407 A * 11/1987 Melton 43/69

D372,513 S * 8/1996 Schneidmiller D22/122

D420,417 S * 2/2000 Daniels D22/119

* cited by examiner

Primary Examiner—Catherine R. Oliver

(74) *Attorney, Agent, or Firm*—Lilling & Lilling P.C.

(57) **CLAIM**

The ornamental design for a trap, as shown.

DESCRIPTION

FIG. 1 is a top perspective view of a trap showing my new design;

FIG. 2 is a bottom perspective view thereof;

FIG. 3 is a right side elevation view thereof;

FIG. 4 is a top plan view thereof;

FIG. 5 is a left side elevation view thereof;

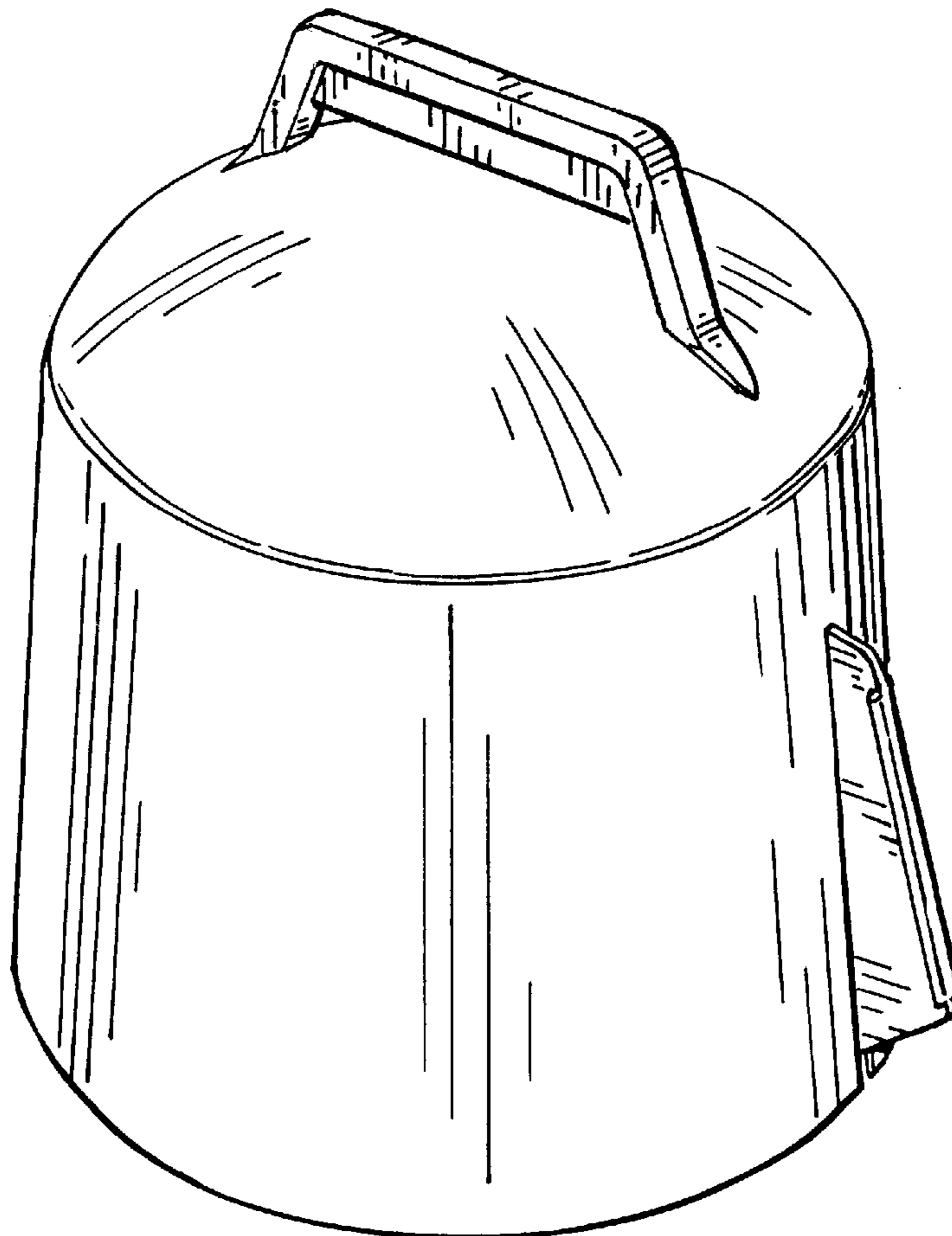
FIG. 6 is a bottom plan view thereof;

FIG. 7 is a rear elevation view thereof;

FIG. 8 is a front elevation view thereof; and,

FIG. 9 is a cross-sectional view shown along line 9—9 of FIG. 4.

1 Claim, 5 Drawing Sheets



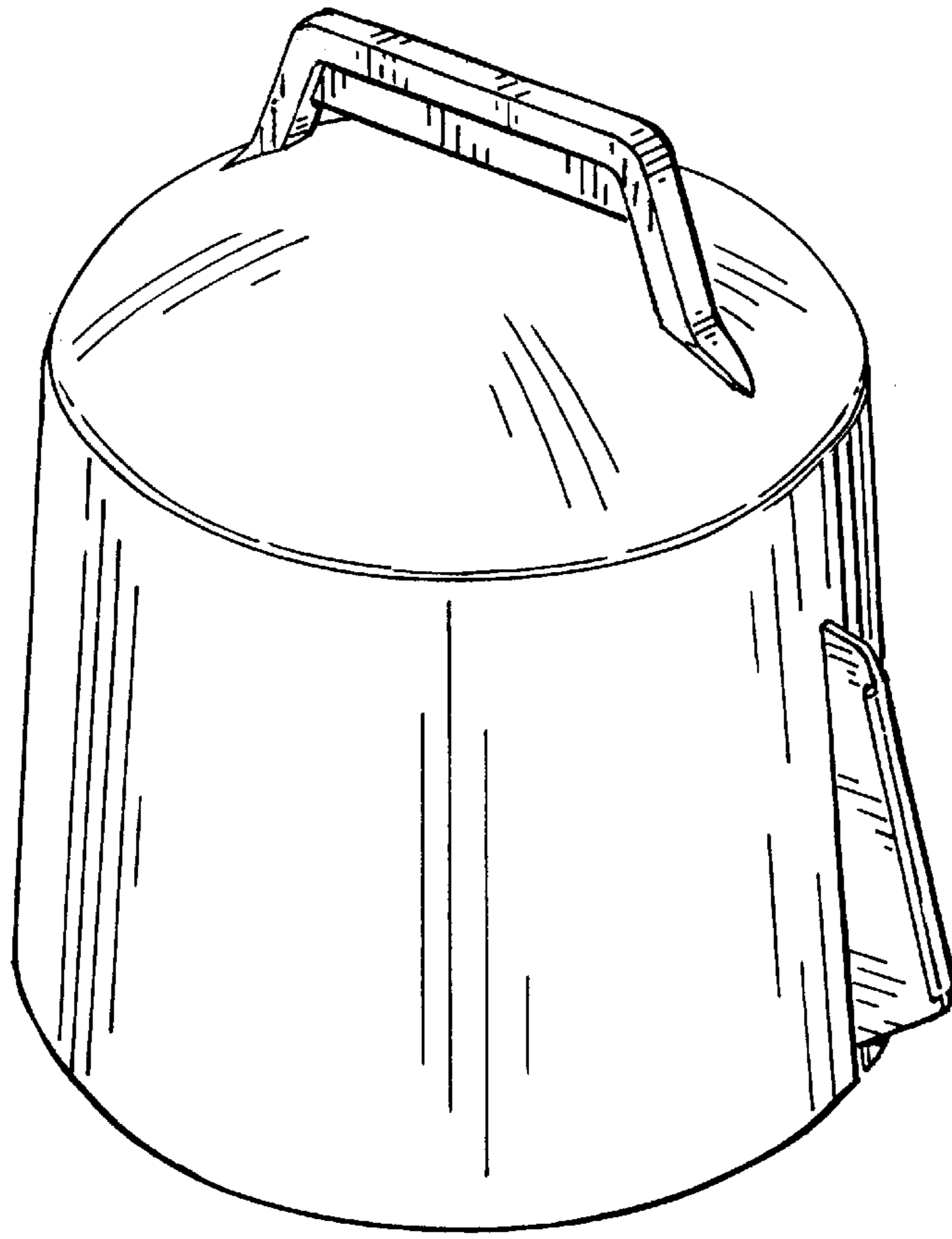


Fig. 1

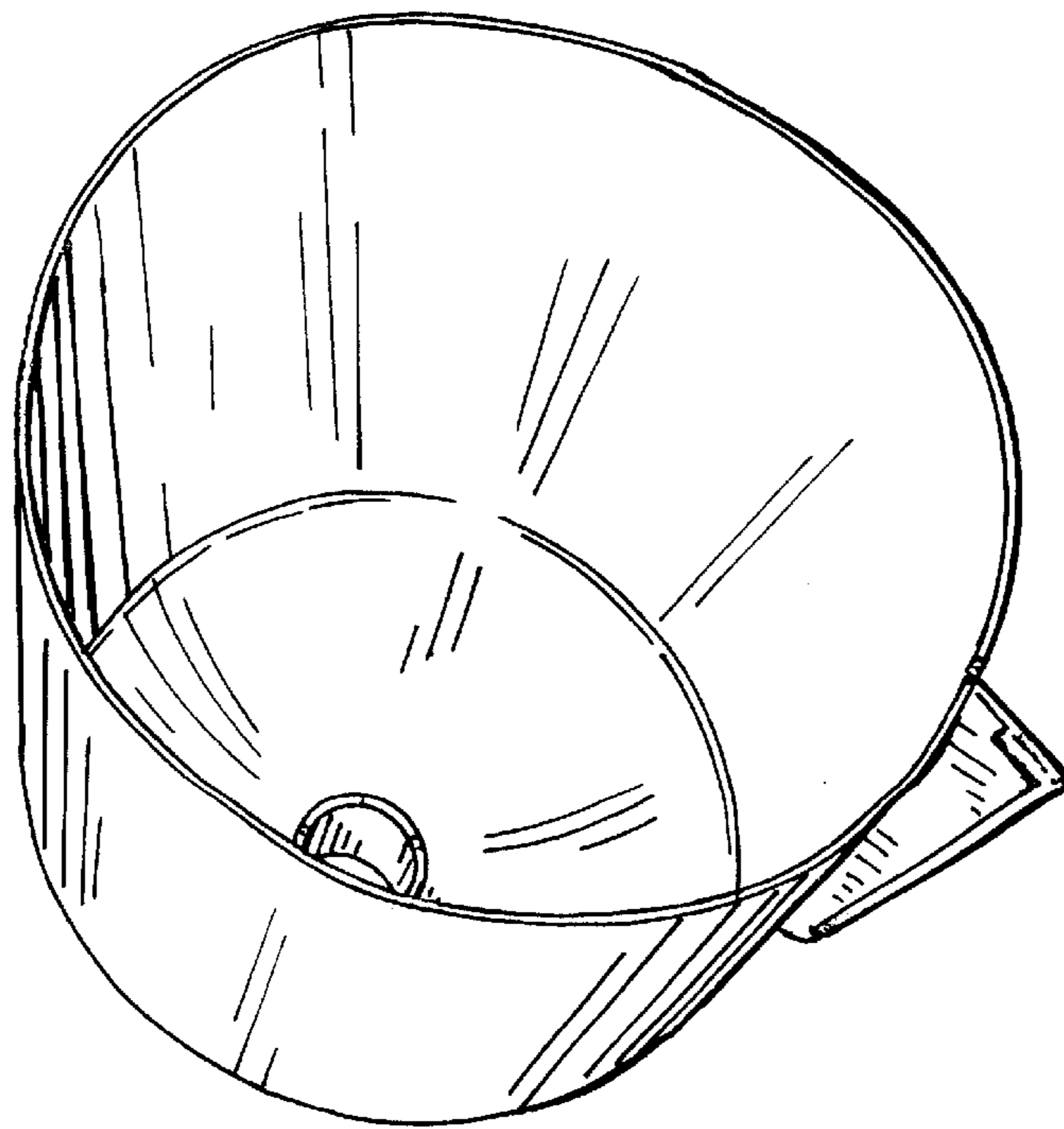


Fig. 2

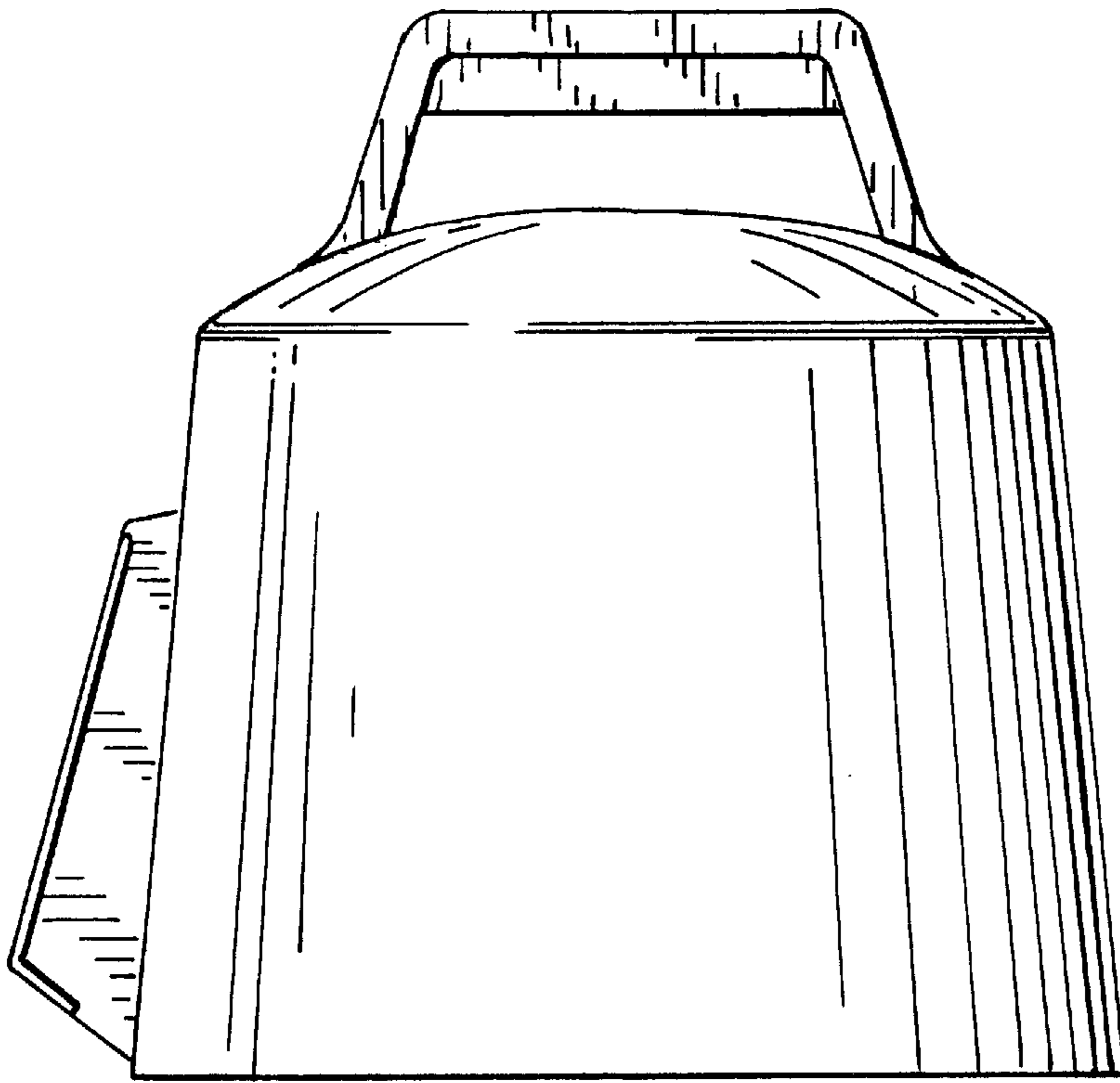


Fig. 3

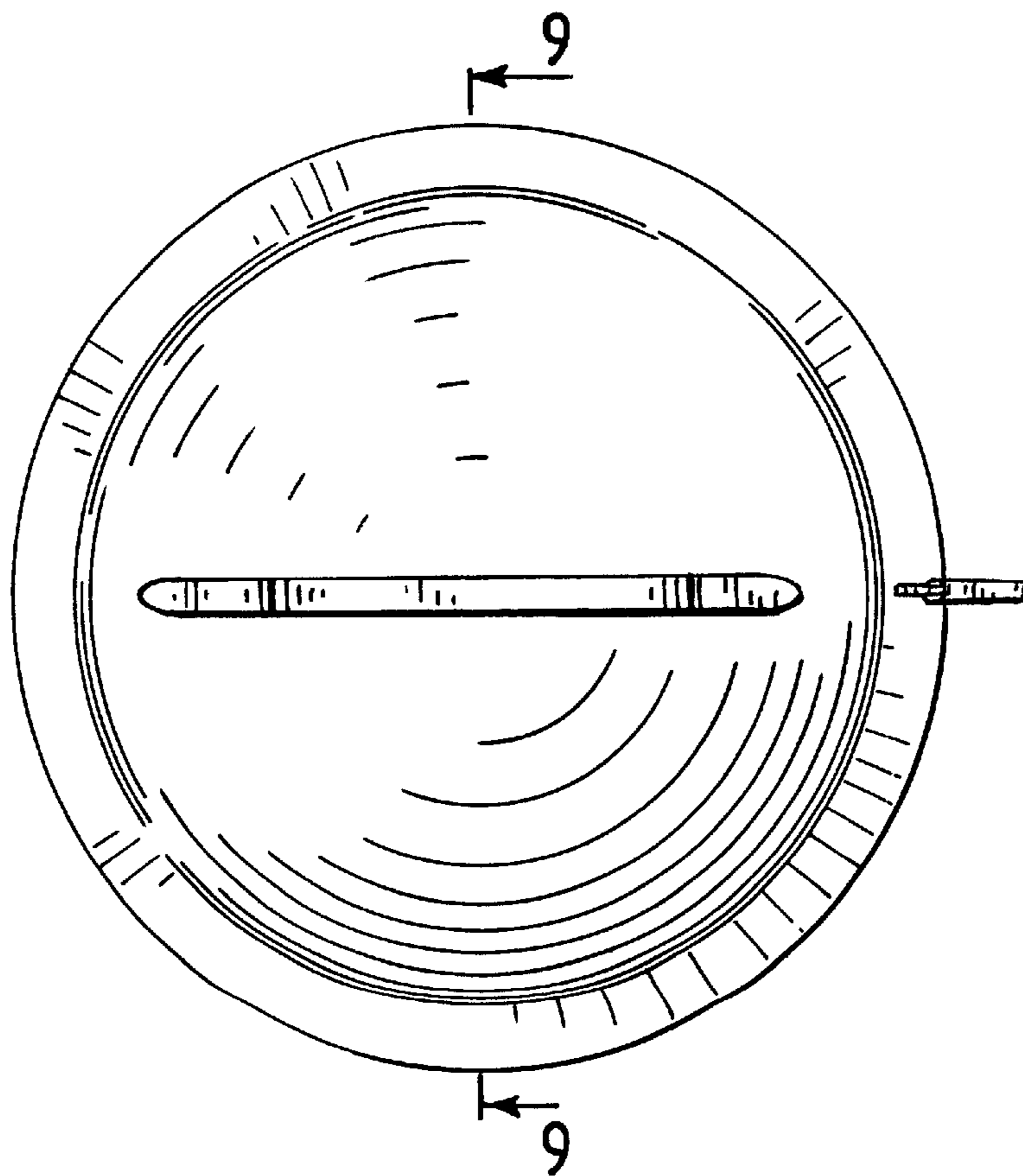


Fig. 4

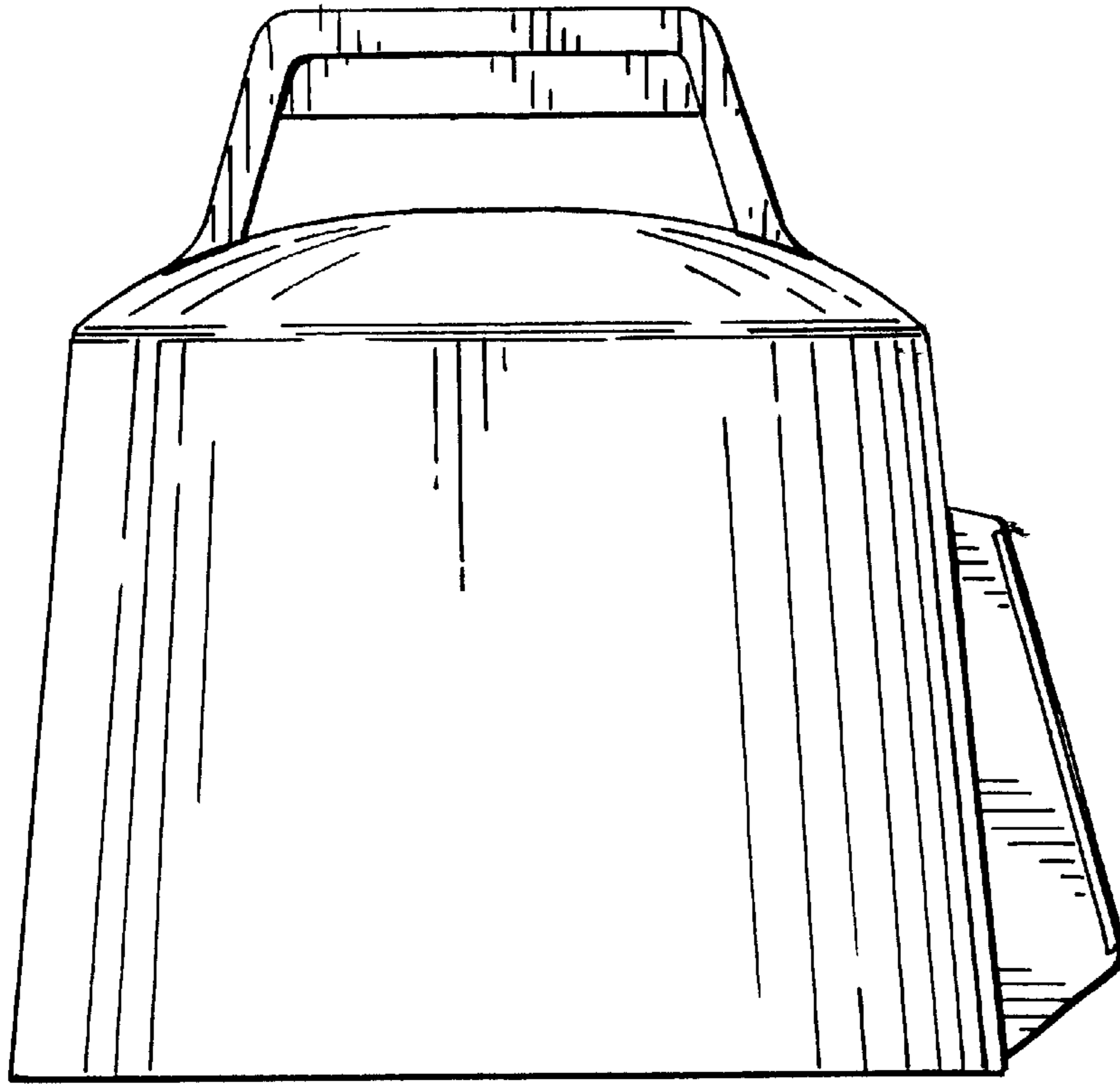


Fig. 5

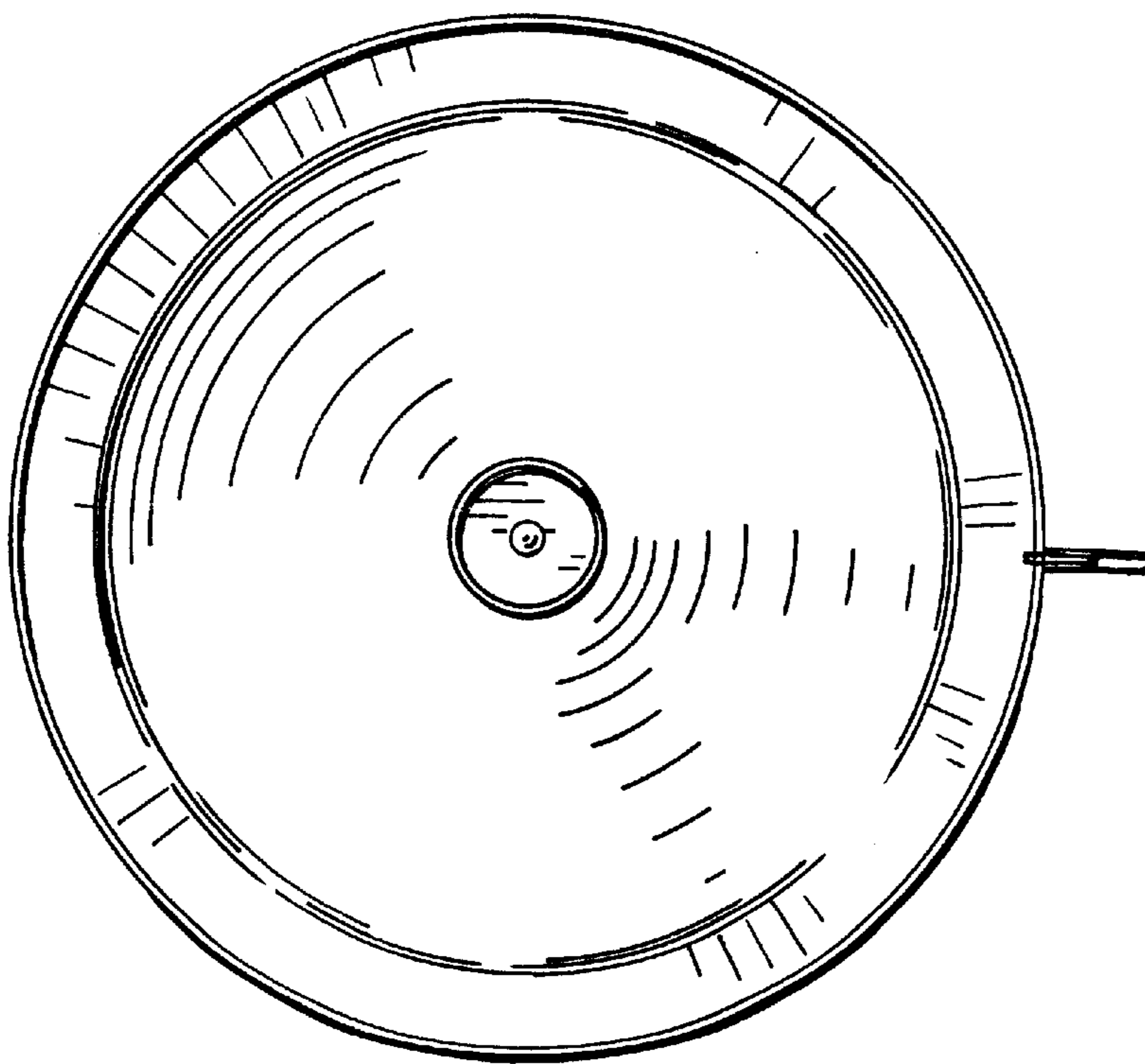


Fig. 6

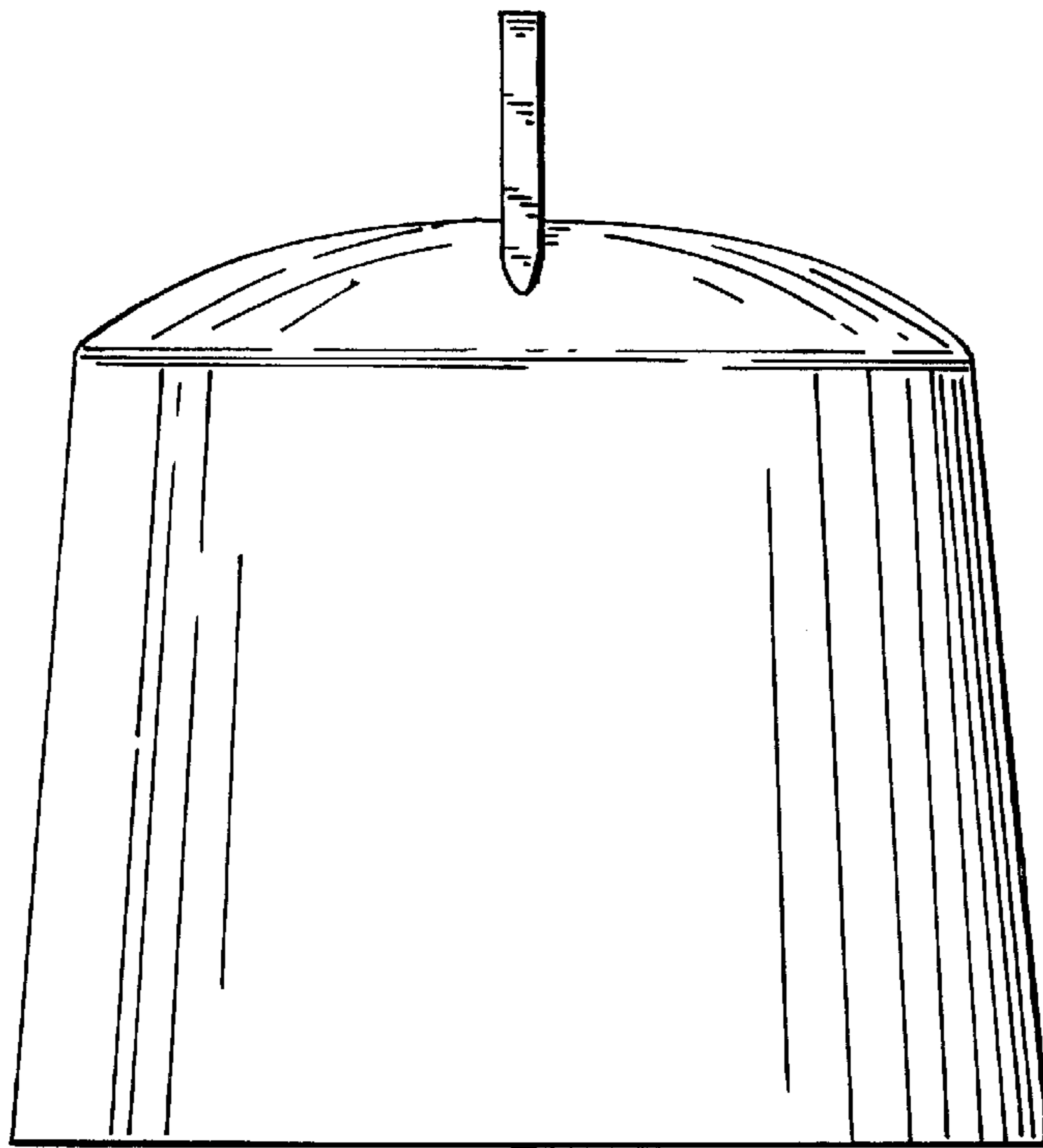


Fig. 7

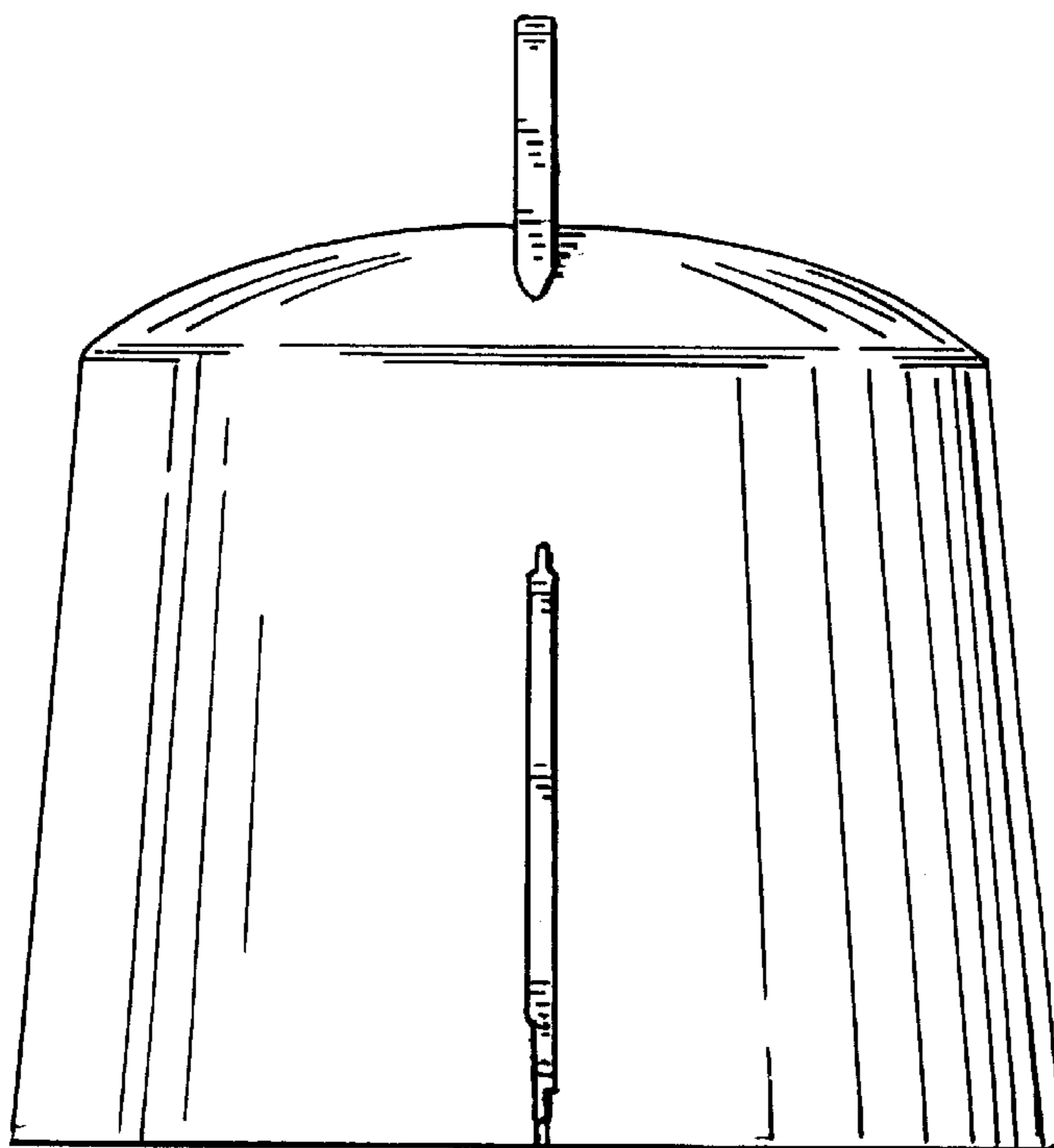


Fig. 8

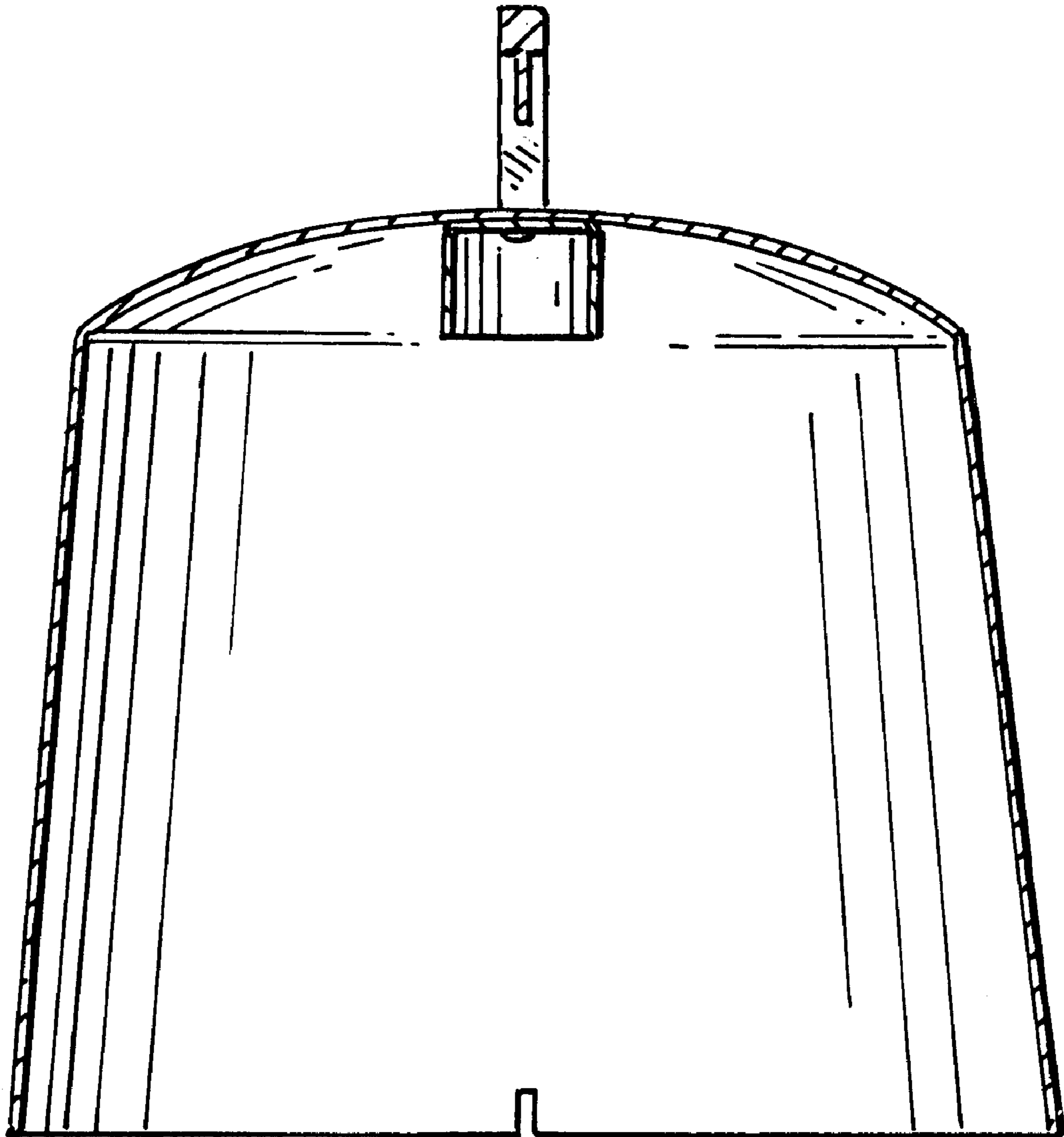


Fig. 9