



US00D456871S

(12) **United States Design Patent**
Gühring

(10) **Patent No.: US D456,871 S**

(45) **Date of Patent: ** *May 7, 2002**

(54) **WEAPON**

(76) Inventor: **Manfred Gühring**, Stellenwiesenweg
12, 78727 Oberndorf-Beffendorf (DE)

(*) Notice: This patent is subject to a terminal disclaimer.

(**) Term: **14 Years**

(21) Appl. No.: **29/119,136**

(22) Filed: **Feb. 24, 2000**

Related U.S. Application Data

(63) Continuation of application No. 29/103,169, filed on Apr. 19, 1999, now Pat. No. Des. 429,308.

(30) **Foreign Application Priority Data**

Oct. 9, 1998 (DE) 498 10 388

(51) **LOC (7) Cl.** **22-01**

(52) **U.S. Cl.** **D22/103**

(58) **Field of Search** D22/100, 103,
D22/199; 33/241; 42/51, 71.01, 75.01,
75.02; 362/110, 113

(56) **References Cited**

U.S. PATENT DOCUMENTS

1,549,051 A 8/1925 Schreiber 42/75.02

3,916,530 A	11/1975	Tellie	33/241
3,939,589 A	2/1976	Tellie	42/75.01
4,152,754 A	5/1979	deFilippis et al.	362/113
4,944,109 A	7/1990	Zedrosser	42/71.01
5,970,642 A	10/1999	Martin	42/75.02 X

Primary Examiner—Louis S. Zarfaz
Assistant Examiner—Monica A. Weingart
(74) *Attorney, Agent, or Firm*—Marshall, Gerstein, & Borun

(57) **CLAIM**

The ornamental design for a “weapon”, as shown and described.

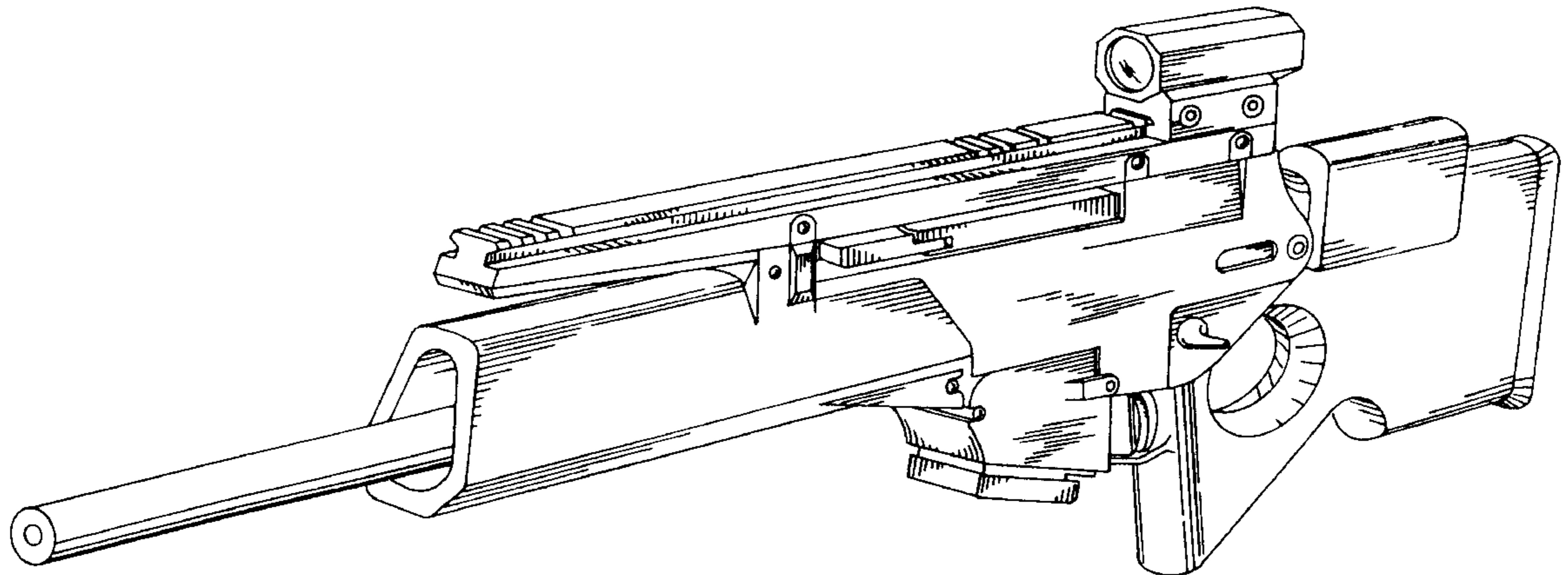
DESCRIPTION

FIG. 1 is a left side view of a weapon constructed in accordance with the teachings of the invention.

FIG. 2 is a right side view of the weapon of FIG. 1; and,

FIG. 3 is a left, front perspective view of another weapon constructed in accordance with the teachings of the invention but employing a different scope than the weapon of FIGS. 1 and 2.

1 Claim, 3 Drawing Sheets



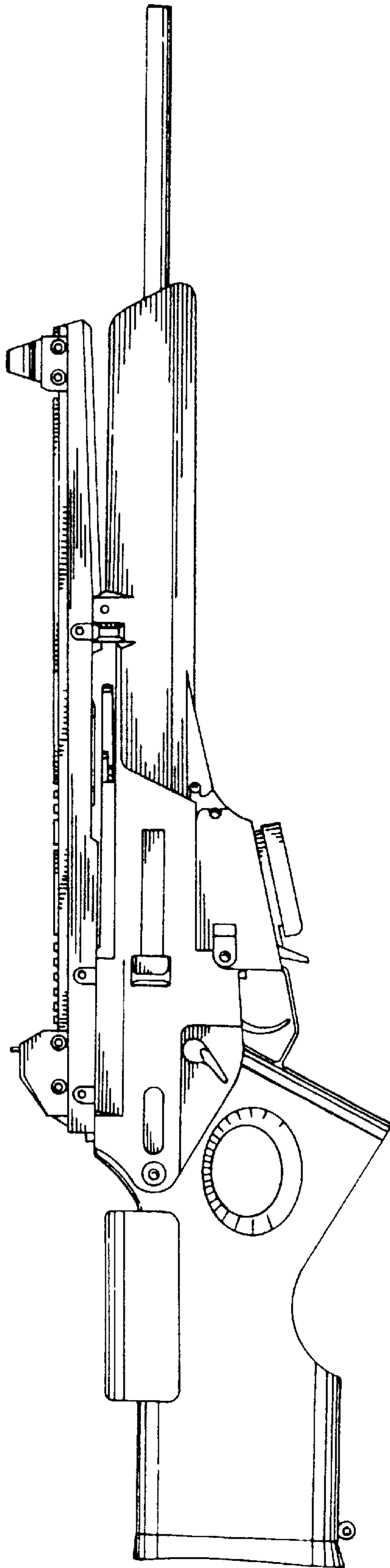


FIG. 1

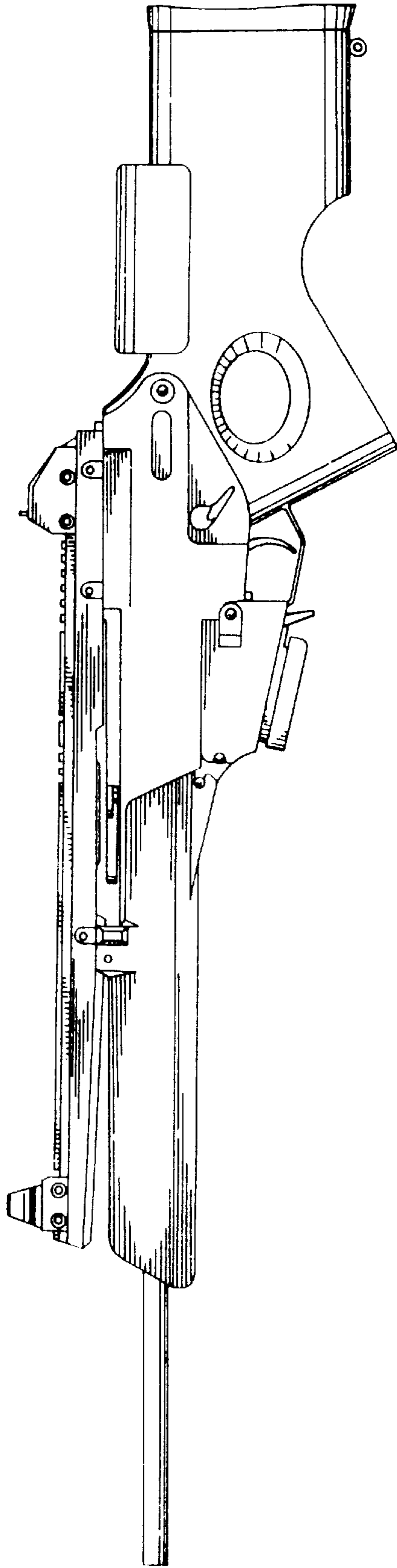


FIG. 2

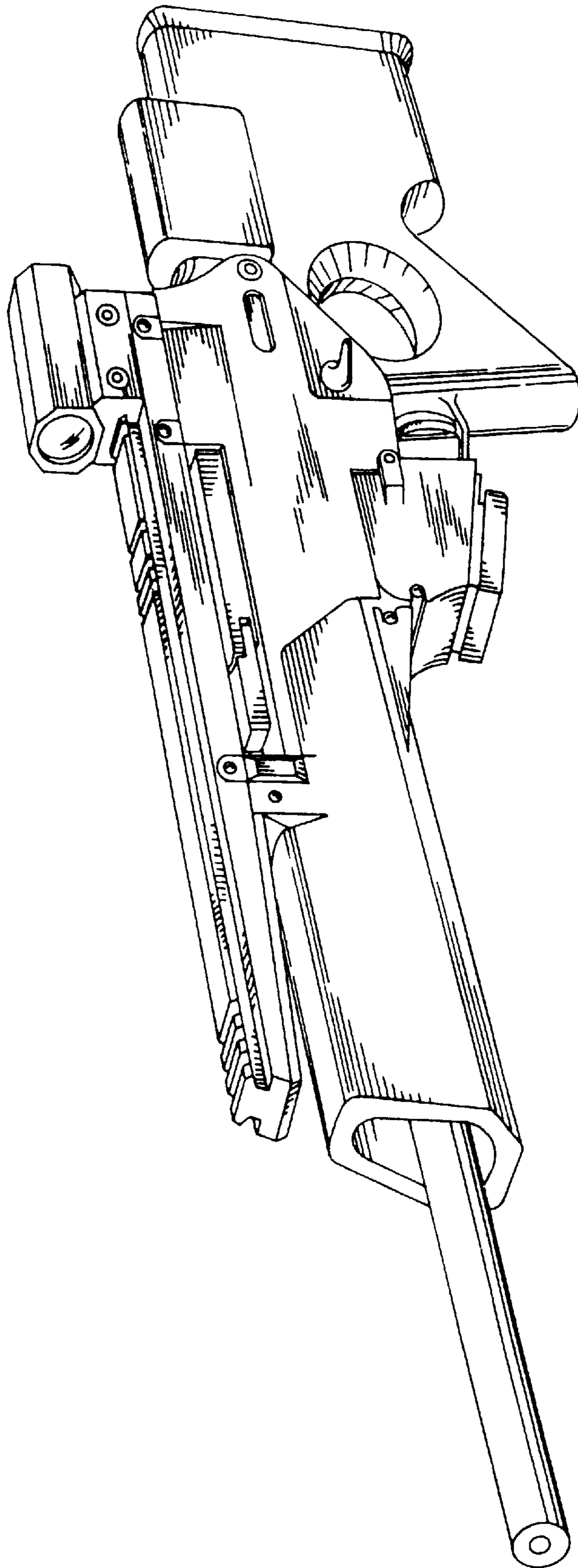


FIG. 3