



US00D456865S

(12) **United States Design Patent**
Caporali et al.

(10) **Patent No.:** **US D456,865 S**

(45) **Date of Patent:** **** May 7, 2002**

(54) **WEIGHT AUGMENTATION DEVICE**

(76) Inventors: **John Caporali**, 147 Shenango Ave.;
Mark Baldarelli, 54 Phillips Way, both
of Sharon, PA (US) 16146

(**) Term: **14 Years**

(21) Appl. No.: **29/137,617**

(22) Filed: **Feb. 22, 2001**

(51) **LOC (7) Cl.** **21-02**

(52) **U.S. Cl.** **D21/694; D21/662; 482/98**

(58) **Field of Search** **D21/662, 694,**
D21/673, 674, 679, 680; 482/91, 98, 101,
104, 148

(56) **References Cited**

U.S. PATENT DOCUMENTS

5,135,453 A * 8/1992 Sollenberger 482/101

5,350,344 A * 9/1994 Kissel 482/98

5,556,362 A * 9/1996 Whipps 482/98

6,126,579 A * 10/2000 Lin 482/98

6,193,635 B1 * 2/2001 Webber et al. 482/98

* cited by examiner

Primary Examiner—Philip S. Hyder

(74) *Attorney, Agent, or Firm*—Harpman & Harpman

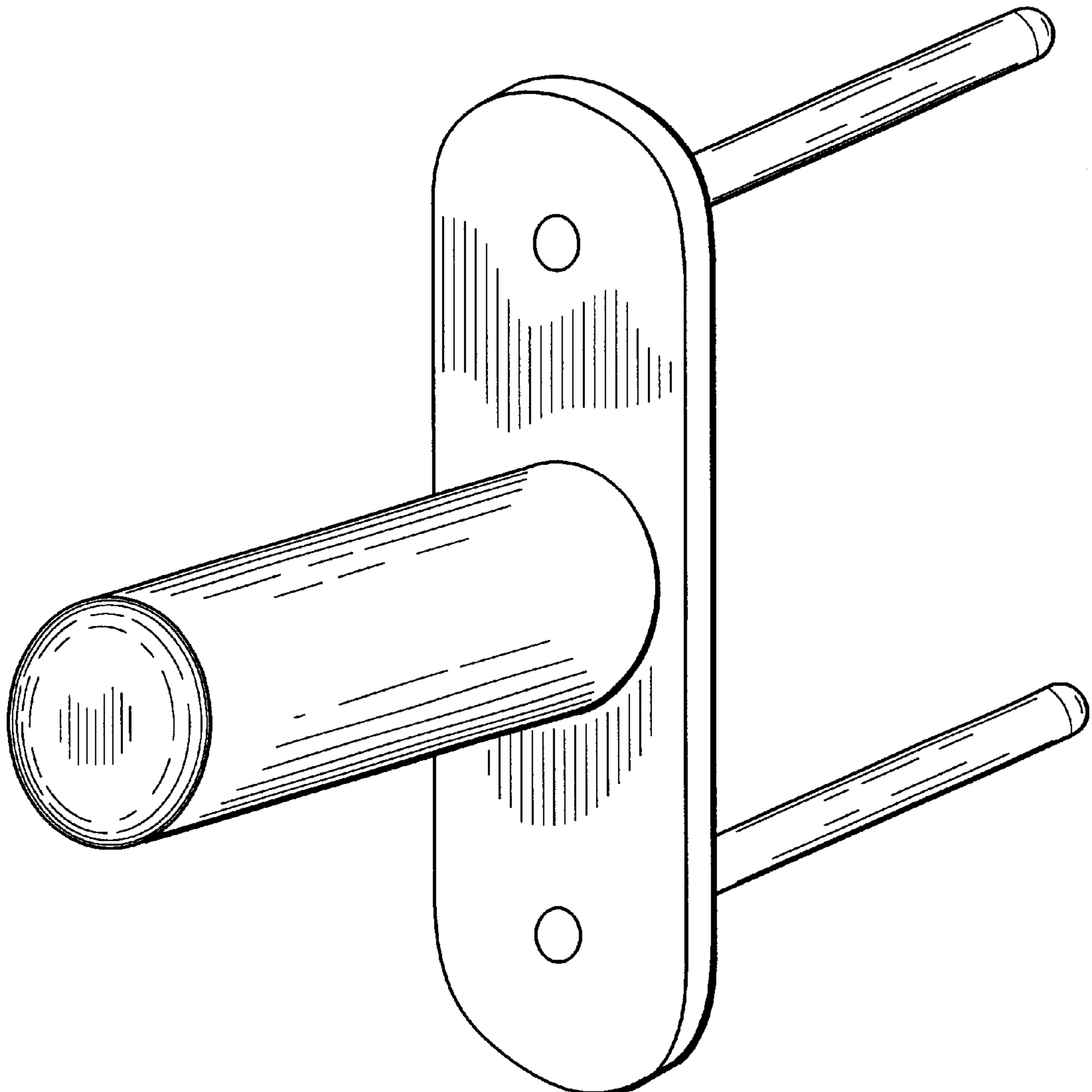
(57) **CLAIM**

The ornamental design for a weight augmentation device, as shown and described.

DESCRIPTION

FIG. 1 is a perspective view thereof;
FIG. 2 is a rear elevational view thereof;
FIG. 3 is a bottom plan view thereof;
FIG. 4 is a front elevational view thereof; and,
FIG. 5 is a left side elevational view thereof.

1 Claim, 3 Drawing Sheets



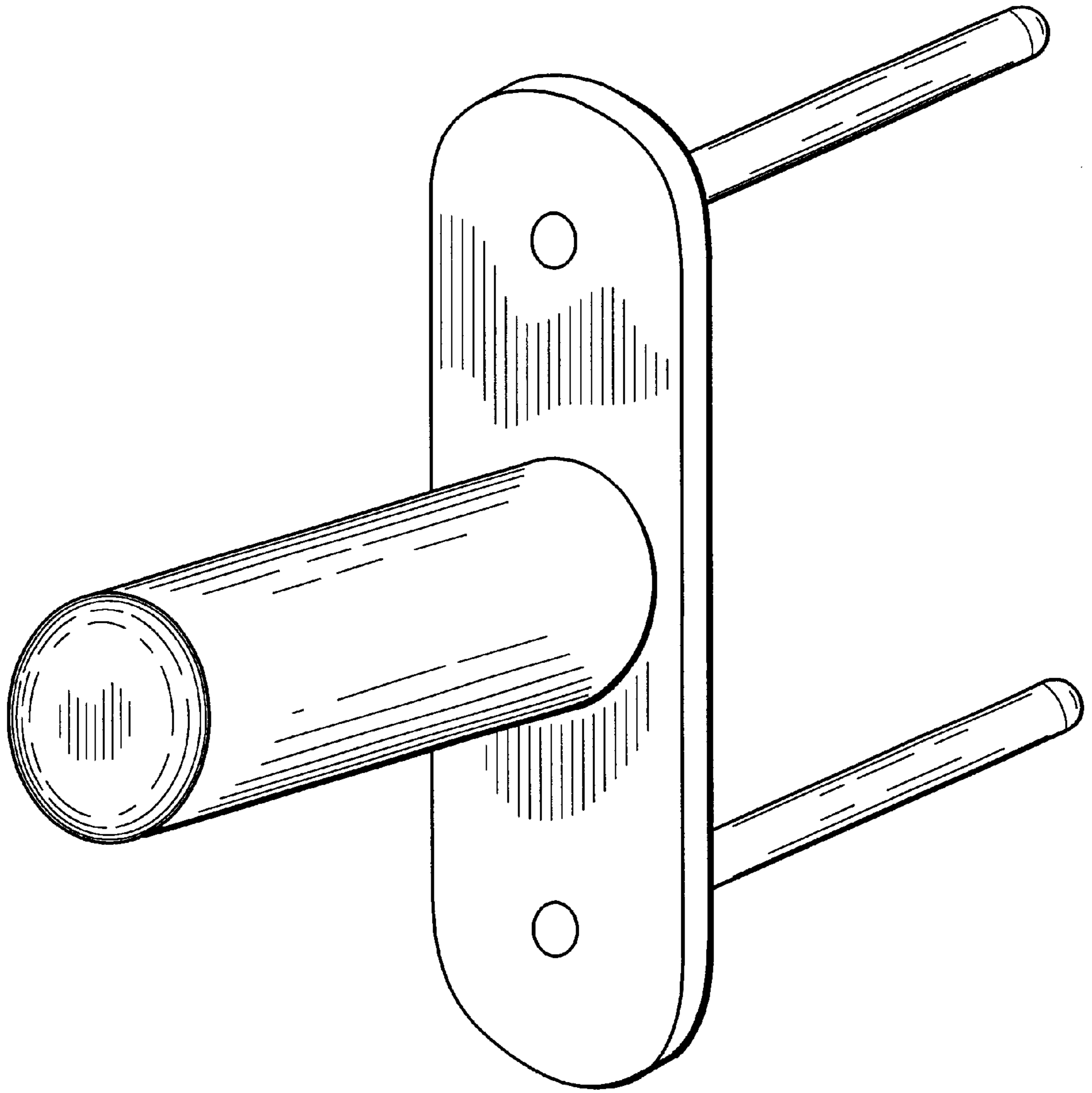


Fig. 1

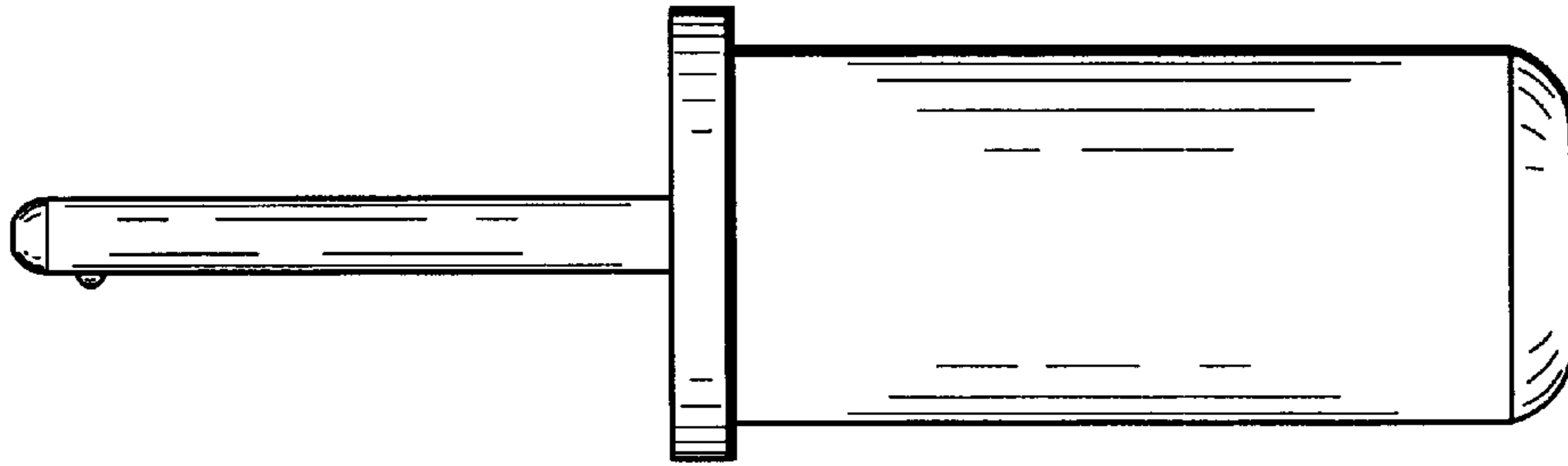


Fig. 3

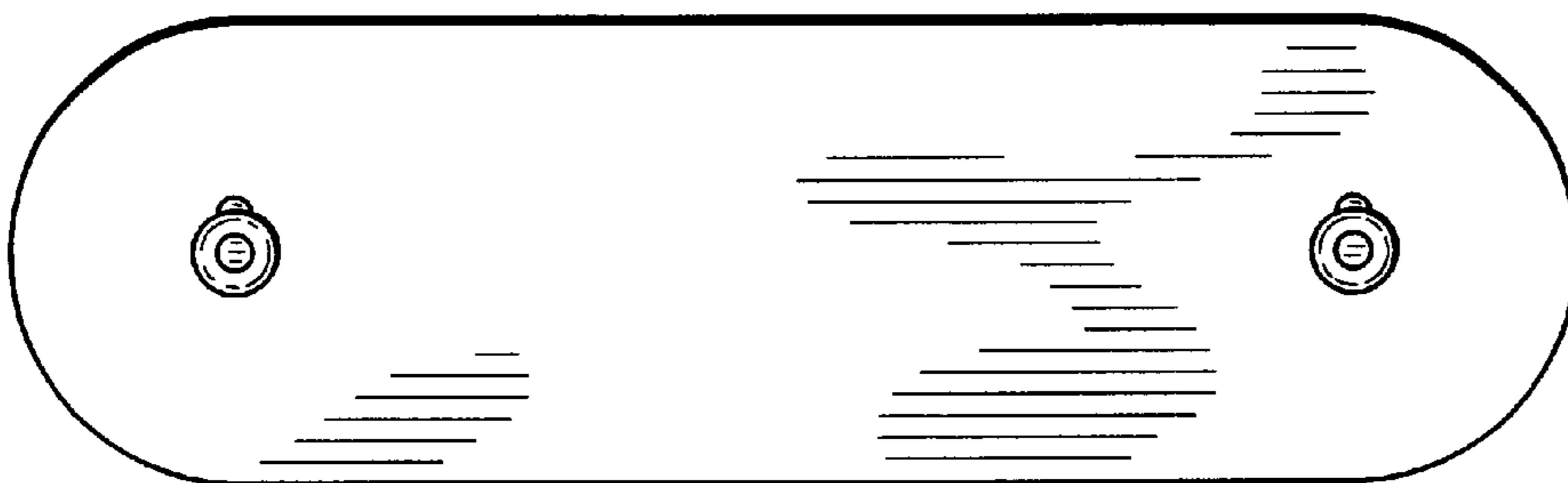


Fig. 2

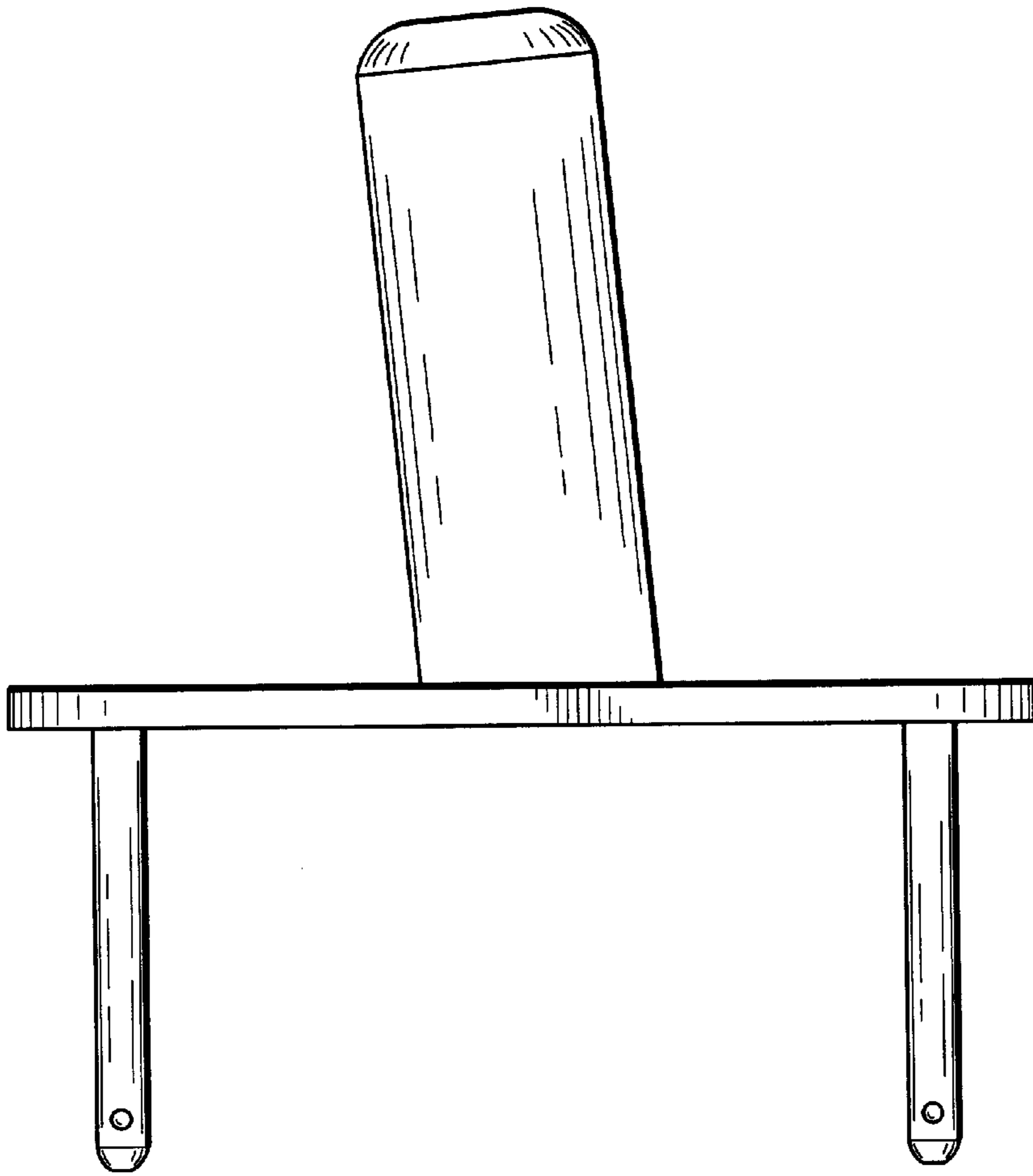


Fig. 5

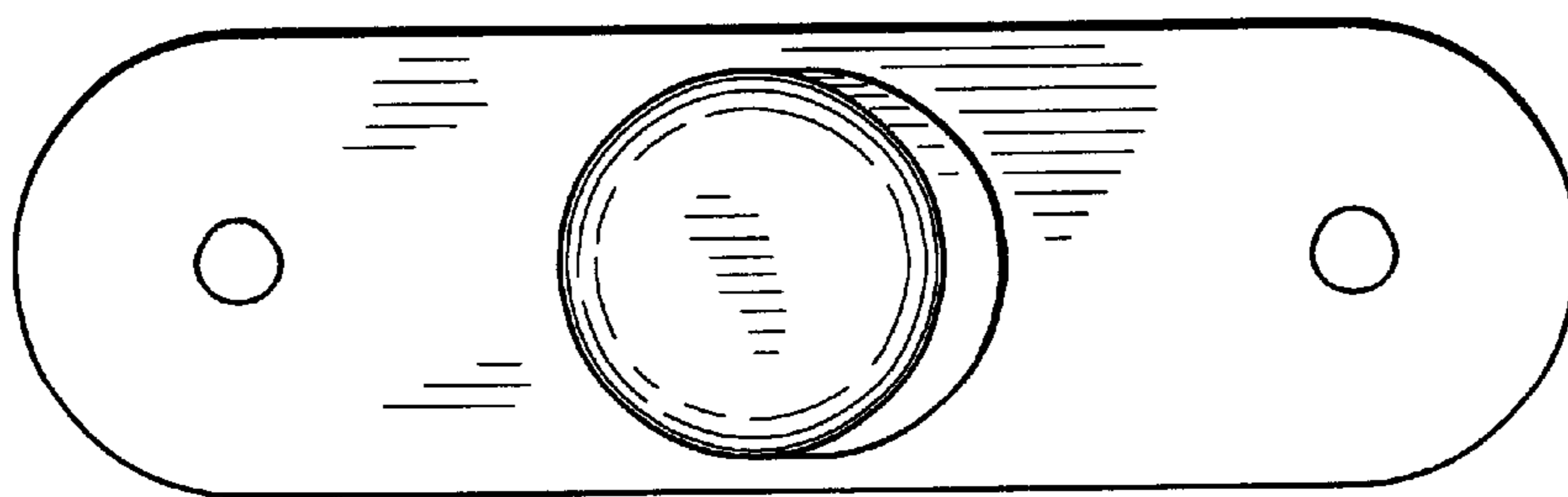


Fig. 4