



US00D456858S

(12) **United States Design Patent**
Huntsberger

(10) **Patent No.:** **US D456,858 S**

(45) **Date of Patent:** **** May 7, 2002**

(54) **CHILDREN'S RIDE-ON VEHICLE**

(75) Inventor: **Kurt J. Huntsberger**, Chaffee, NY
(US)

(73) Assignee: **Mattel, Inc.**, El Segundo, CA (US)

(**) Term: **14 Years**

(21) Appl. No.: **29/118,443**

(22) Filed: **Feb. 7, 2000**

(51) **LOC (7) Cl.** **21-01**

(52) **U.S. Cl.** **D21/433**

(58) **Field of Search** D21/419-435,
D21/533, 548, 552, 554, 559; D12/16,
87-88; 446/424, 425, 427, 433, 454, 456,
457, 462, 465, 470; 280/87.01, 87.021,
828, 1.13

4,700,965 A	10/1987	Kinberg	
4,741,544 A *	5/1988	Kassai	D21/428
4,764,141 A	8/1988	D'Andrade	
D300,619 S	4/1989	Phinney et al.	
RE32,973 E	7/1989	Panzarella	
5,078,636 A	1/1992	Clarke et al.	
5,269,715 A	12/1993	Silveria et al.	
5,348,507 A	9/1994	McGhie et al.	
5,366,402 A	11/1994	Rudell et al.	
5,395,274 A	3/1995	Myers	
5,495,876 A	3/1996	Schramm	
5,603,651 A	2/1997	Shure et al.	
5,620,351 A	4/1997	Ho	
5,643,035 A	7/1997	Freese et al.	
5,746,636 A	5/1998	Cernansky et al.	
5,842,899 A	12/1998	Cernansky et al.	
5,908,057 A	6/1999	Schramm	
D417,245 S *	11/1999	Wang	D21/433
D423,604 S *	4/2000	Yeh	D21/433
D424,126 S *	5/2000	Goes	D21/424

FOREIGN PATENT DOCUMENTS

EP	094 532	11/1983
GB	1188868	4/1970
GB	2186199	8/1987

OTHER PUBLICATIONS

Toys-R-Us advertisement, 1985.
Fisher-Price Catalog, p. 58, 1987.

* cited by examiner

Primary Examiner—Raphael Barkai
(74) *Attorney, Agent, or Firm*—Kolisch Hartwell Dickinson
McCormack & Heuser, PC

(57) **CLAIM**

The ornamental design for a children's ride-on vehicle, as shown and described.

DESCRIPTION

FIG. 1 is a front perspective view of a children's ride-on vehicle showing the claimed design.
FIG. 2 is a left side elevation view of the vehicle of FIG. 1.
FIG. 3 is a rear perspective view of the vehicle of FIG. 1.

(56) **References Cited**

U.S. PATENT DOCUMENTS

2,579,714 A	12/1951	Treuthart	
2,675,641 A	4/1954	Baggott	
2,805,515 A	9/1957	Gans et al.	
3,002,314 A	10/1961	Brottman	
3,008,263 A	11/1961	Ellman	
3,093,925 A	6/1963	Greene	
3,228,136 A	1/1966	Rouse	
3,246,418 A	4/1966	Andersen et al.	
3,246,419 A	4/1966	Pawelka et al.	
3,665,637 A	5/1972	Starr	
3,708,909 A	1/1973	Winston	
3,738,051 A	6/1973	Wakeem	
3,775,899 A	12/1973	Wolf	
3,913,260 A	10/1975	Corbett	
4,016,673 A	4/1977	Constance	
4,062,143 A	12/1977	Lerman	
4,128,962 A	12/1978	Anderson	
4,184,284 A	1/1980	Rogahn	
4,367,608 A	1/1983	Melotti	
D272,551 S *	2/1984	Nakao et al.	D21/428
4,556,392 A	12/1985	Chang	
D282,184 S *	1/1986	Nakao et al.	D21/433
4,576,582 A	3/1986	Panzarella	

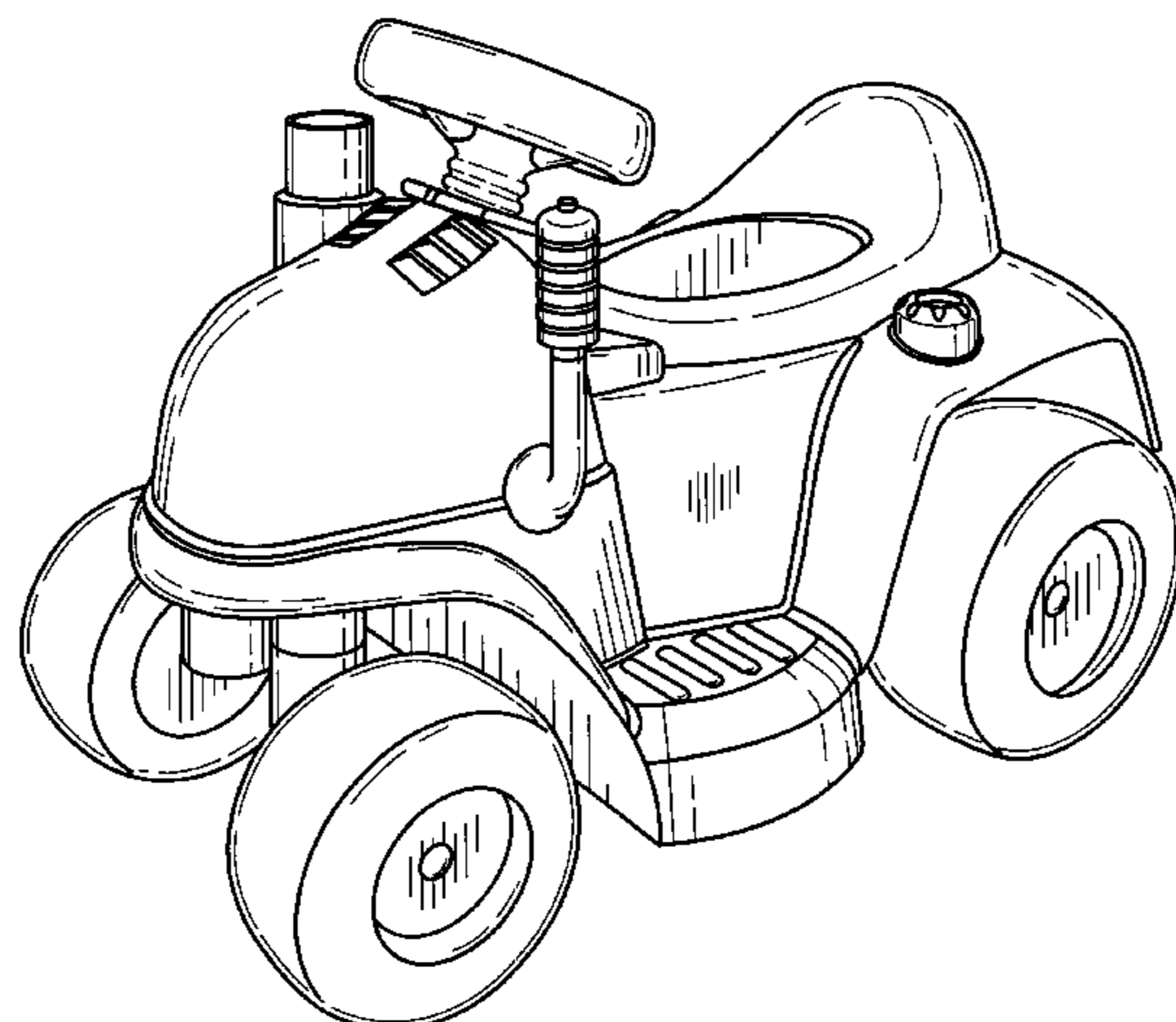


FIG. 4 is a right side elevation view of the vehicle of FIG. 1.

FIG. 5 is a front elevation view of the vehicle of FIG. 1.

FIG. 6 is a rear elevation view of the vehicle of FIG. 1.

FIG. 7 is a top plan view of the vehicle of FIG. 1.

FIG. 8 is a rear perspective view of the vehicle of FIG. 1 with environment shown in dashed lines; and,

FIG. 9 is a right side elevation view of the vehicle of FIG. 1 with environment shown in dashed lines.

The broken lines shown in FIGS. 5, 8 and 9 are for illustrative purposes only and form no part of the claimed design.

1 Claim, 5 Drawing Sheets

Fig. 1

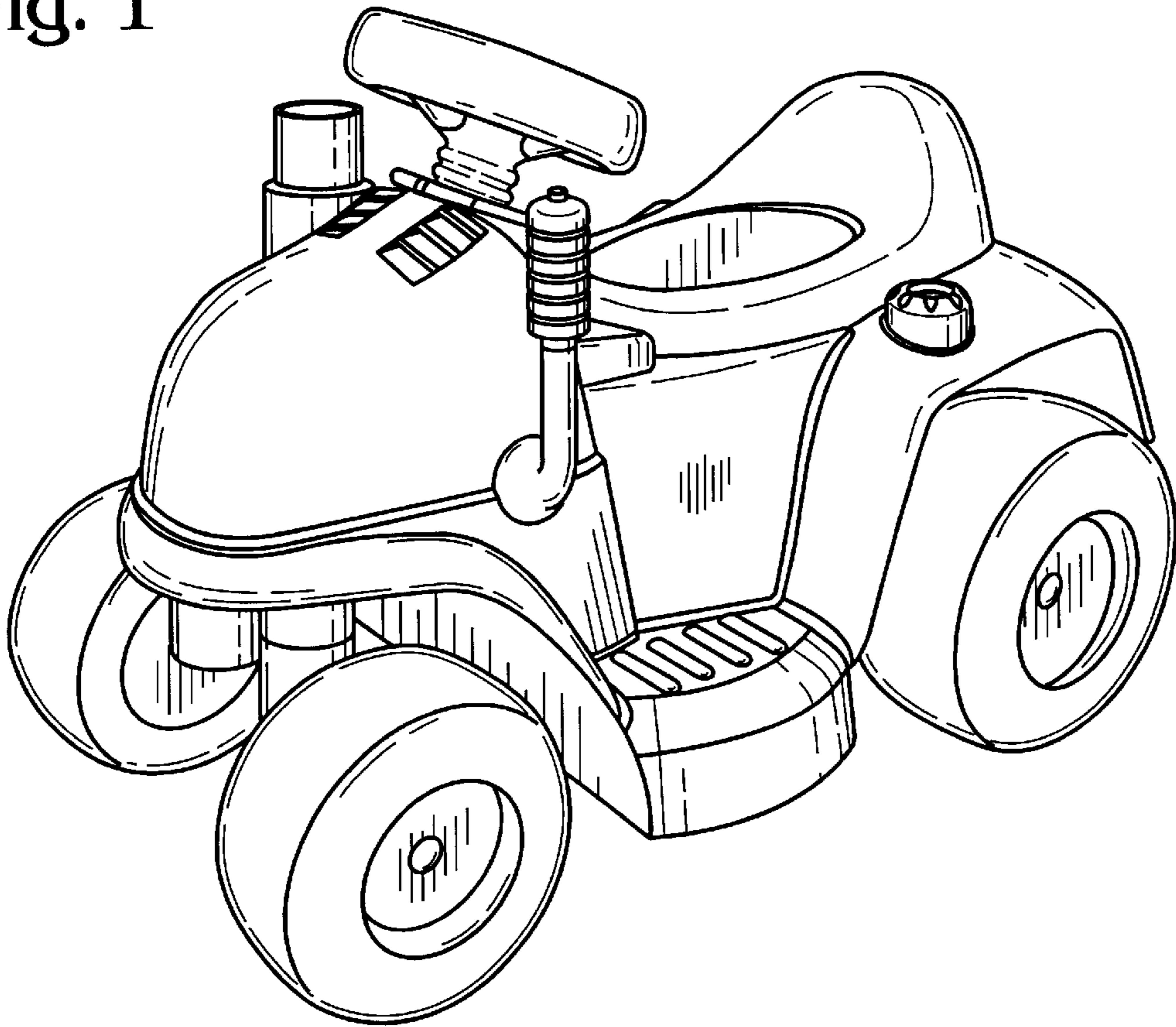


Fig. 2

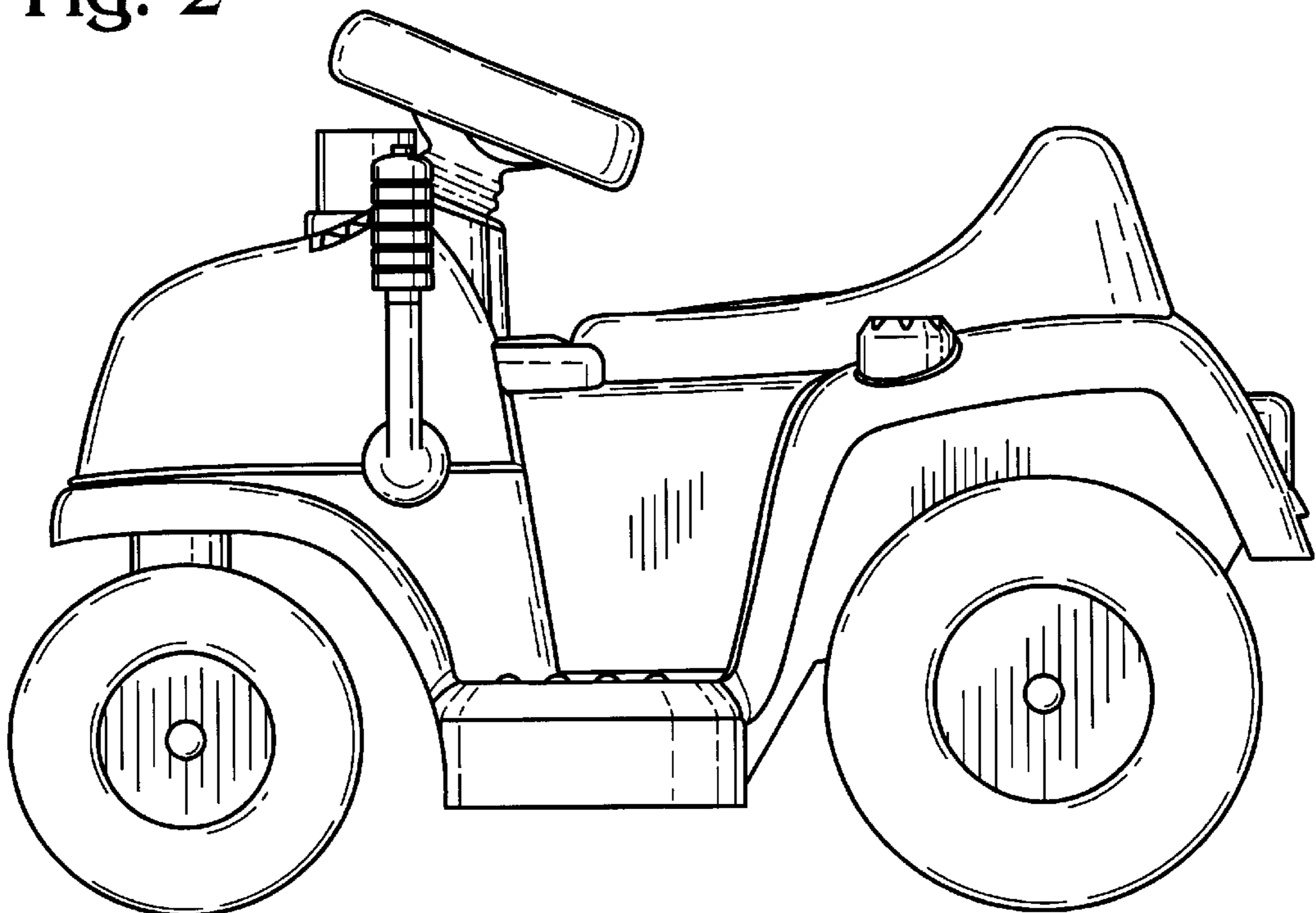


Fig. 3

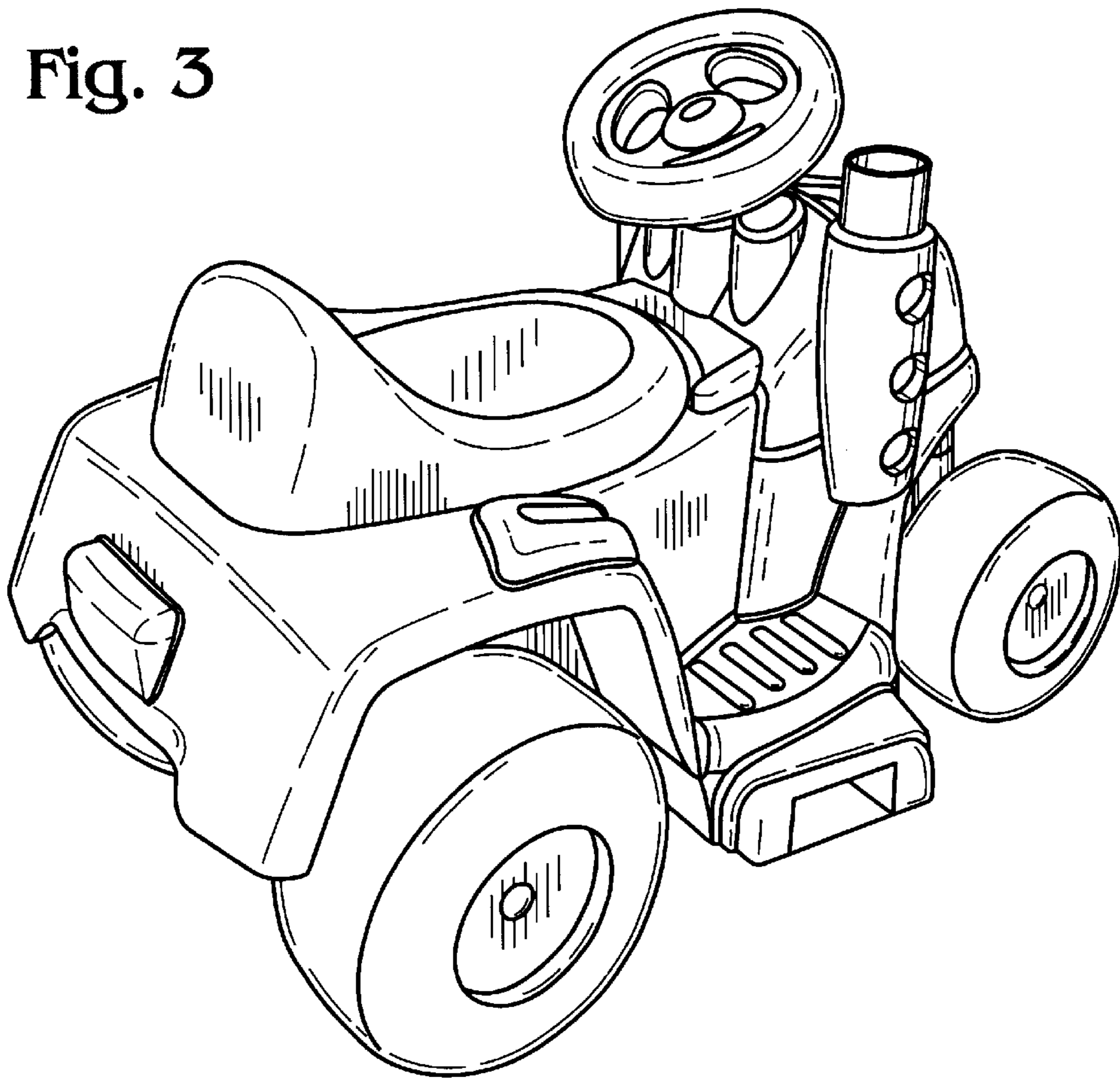


Fig. 4

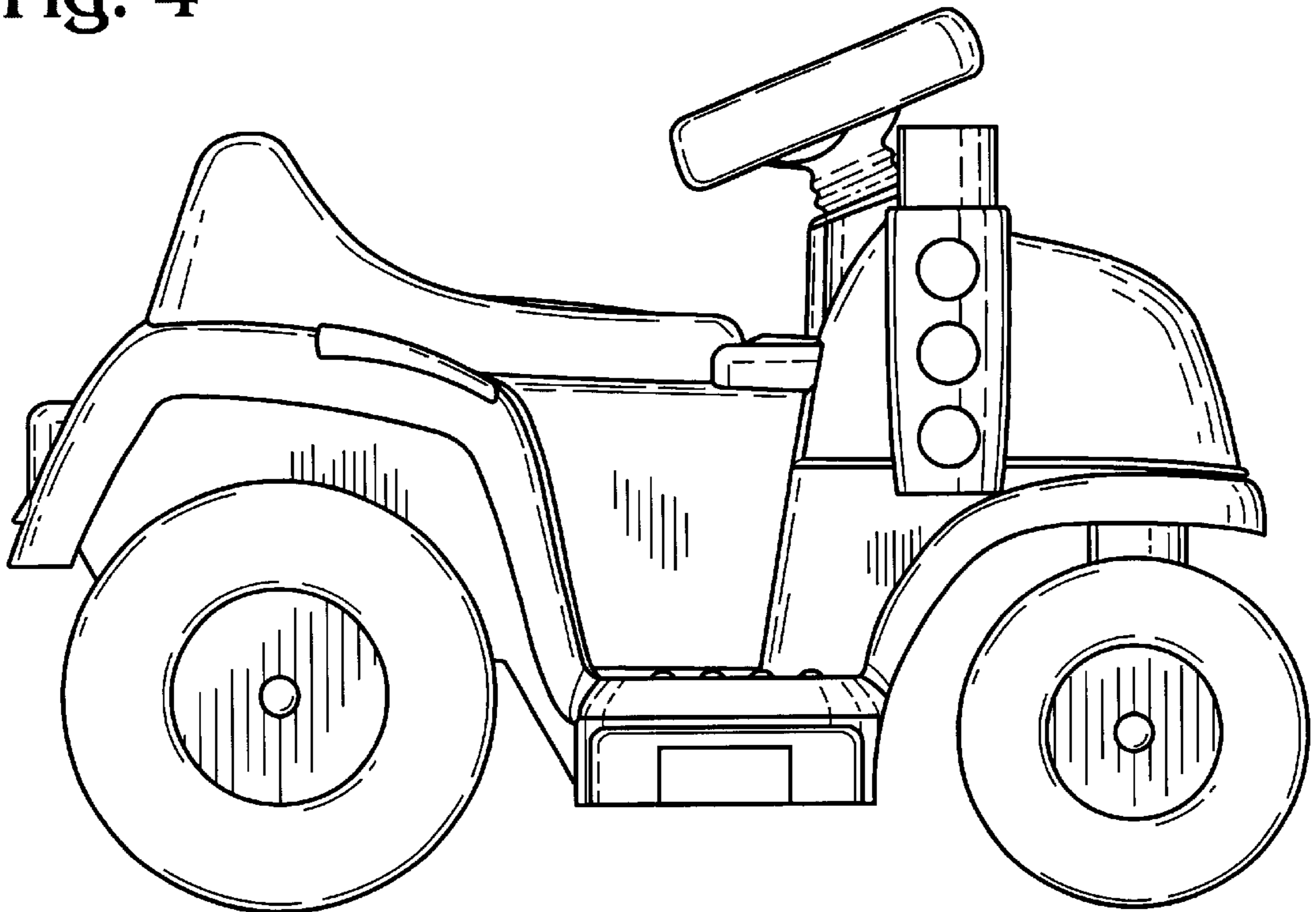


Fig. 5

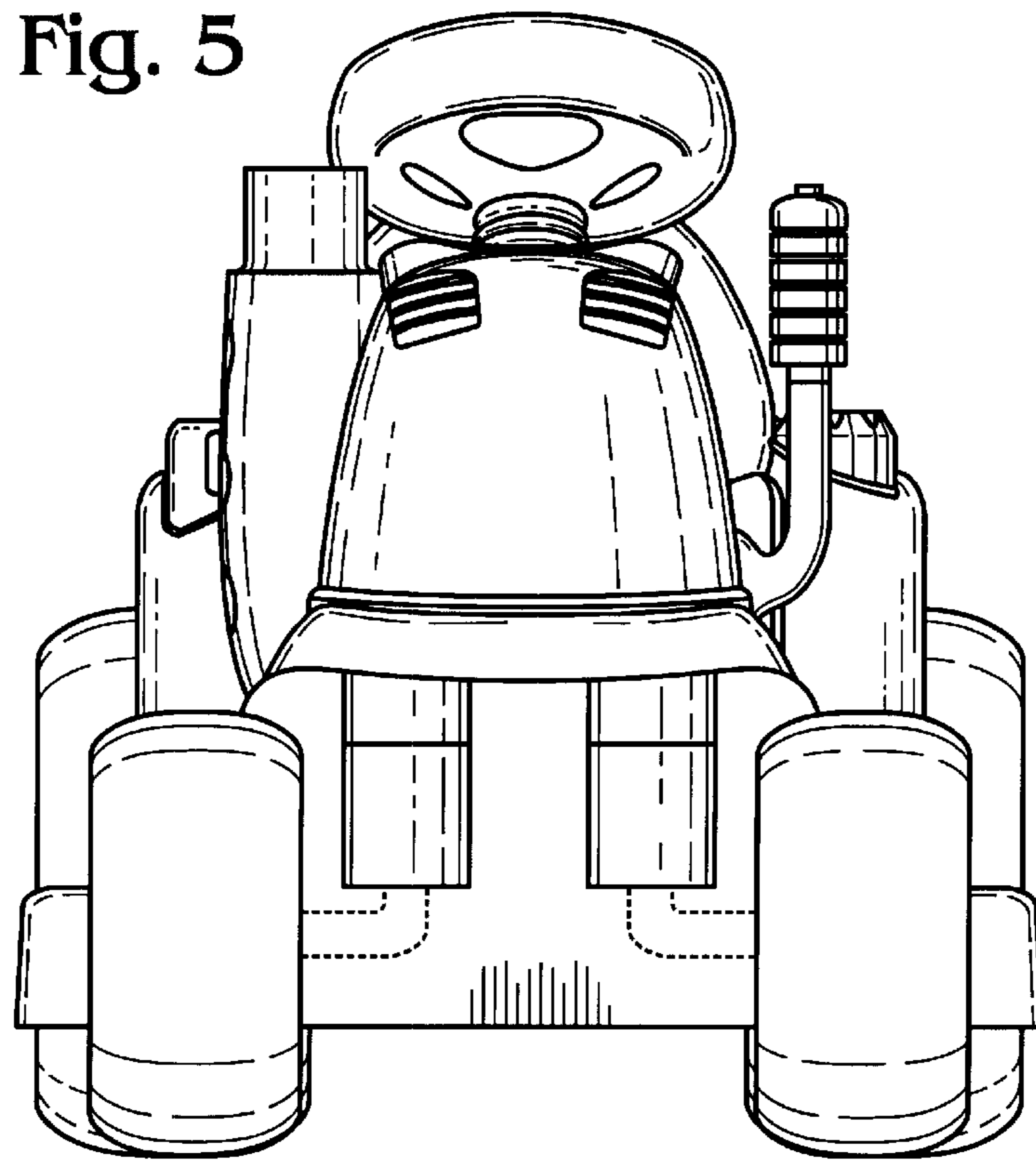
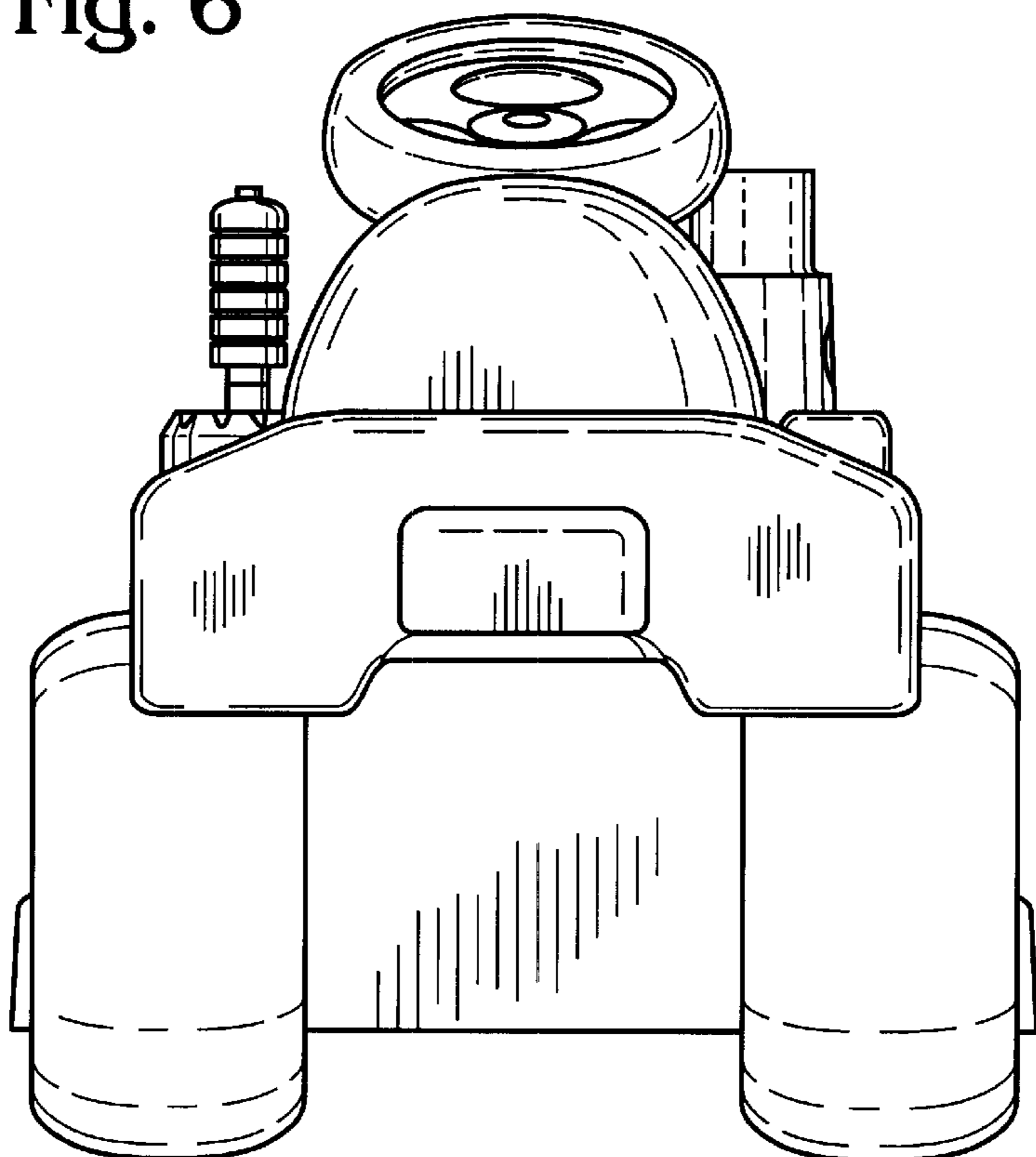


Fig. 6



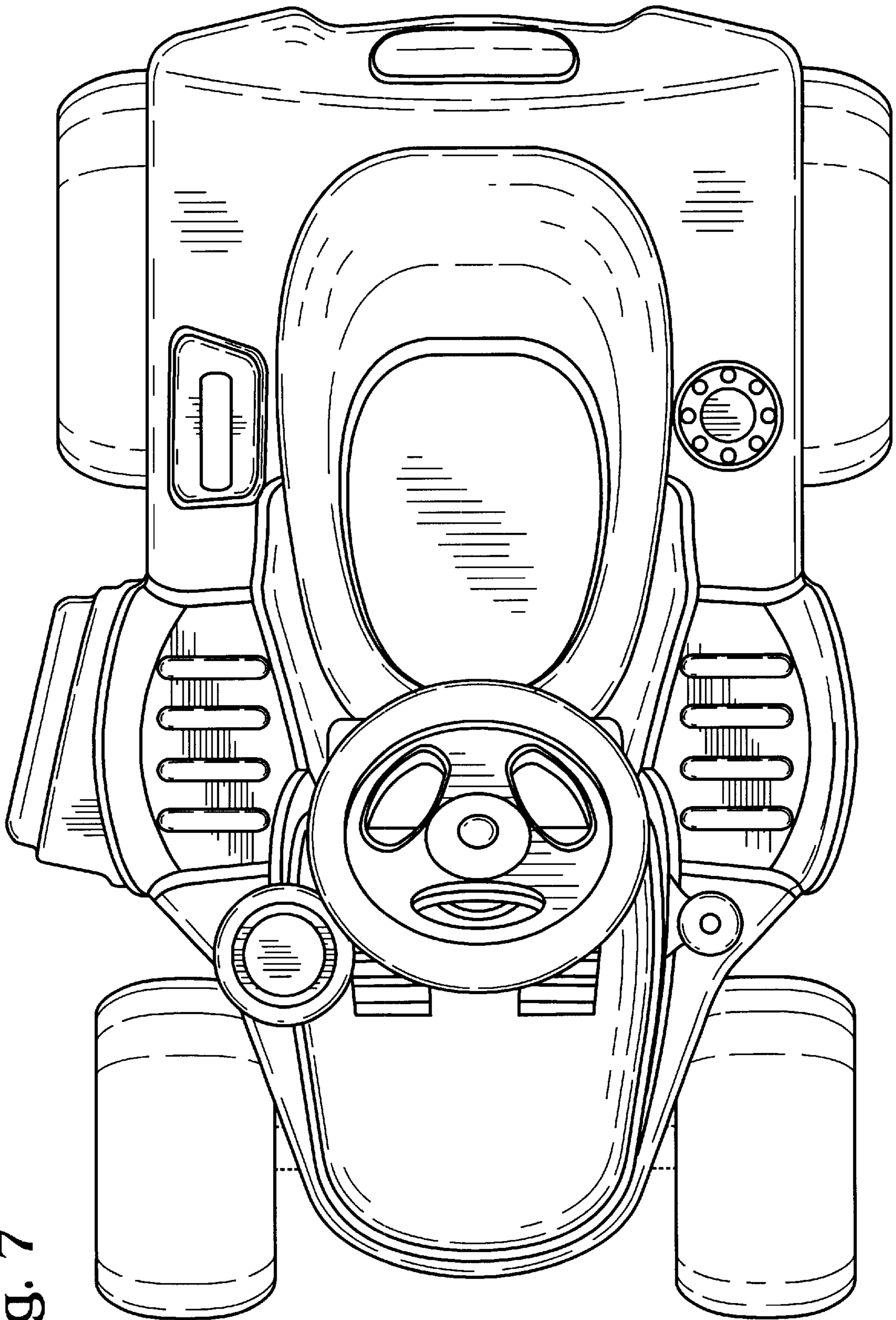


Fig. 7

Fig. 8

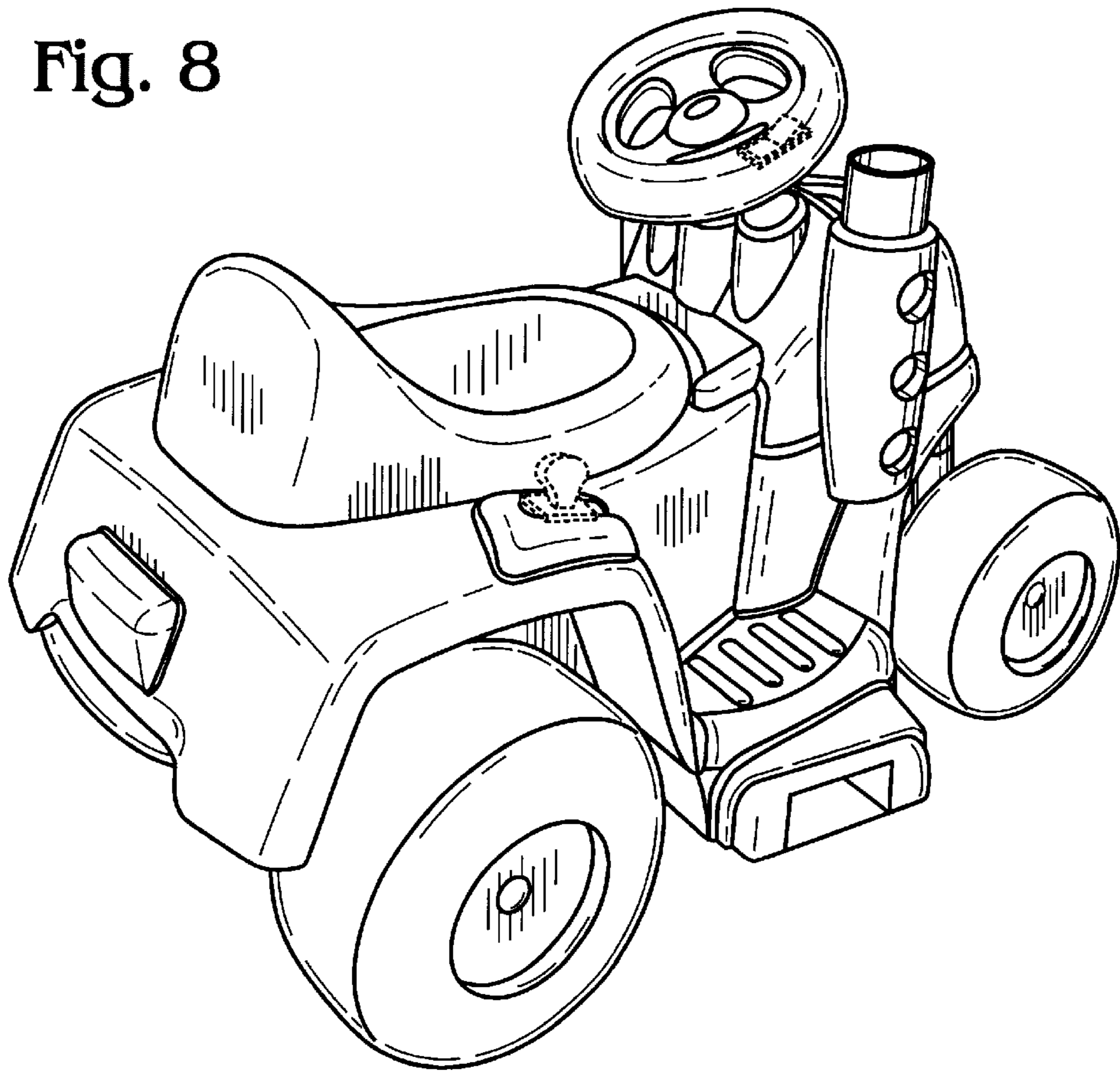


Fig. 9

