



US00D456857S

(12) **United States Design Patent**
Jennings

(10) **Patent No.:** **US D456,857 S**

(45) **Date of Patent:** **** May 7, 2002**

(54) **STROLLER WITH MEANS OF
ACCOMMODATING A CHILD SEAT**

D345,768 S * 4/1994 Bro et al. D21/425
6,186,524 B1 * 2/2001 McQueeny 280/87.021
6,250,652 B1 * 6/2001 Nelson 280/47.38

(76) **Inventor:** **April Jennings**, 14197 Deer Trial Ct.,
Victorville, CA (US) 92392

* cited by examiner

(**) **Term:** **14 Years**

Primary Examiner—Raphael Barkai

(74) *Attorney, Agent, or Firm*—Goldstein Law Offices. P.C.

(21) **Appl. No.:** **29/133,958**

(57) **CLAIM**

(22) **Filed:** **Dec. 13, 2000**

The ornamental design for a stroller with means of accom-
modating a child seat, as shown and described.

(51) **LOC (7) Cl.** **21-01**

DESCRIPTION

(52) **U.S. Cl.** **D21/425; D12/129**

(58) **Field of Search** D21/419, 424-427,
D21/534, 536; 446/440, 451, 465; 280/87.01,
87.021, 87.041, 87.051, 87.043, 773, 776,
47.36, 47.38, 47.371, 47.35; D12/128, 129

FIG. 1 is a perspective view of a stroller with means of
accommodating a child seat.

FIG. 2 is a right side elevational view thereof, the left side
elevational view being a mirror image of the right side view.

FIG. 3 is a top plan view thereof.

FIG. 4 is a bottom plan view thereof.

FIG. 5 is a rear elevational view of the stroller with means
of accommodating a child seat; and,

FIG. 6 is a front elevational view thereof.

(56) **References Cited**

U.S. PATENT DOCUMENTS

D275,691 S * 9/1984 Appel D21/425
5,141,241 A * 8/1992 Avila 280/47.371
D345,130 S * 3/1994 Schattner D12/133

1 Claim, 3 Drawing Sheets

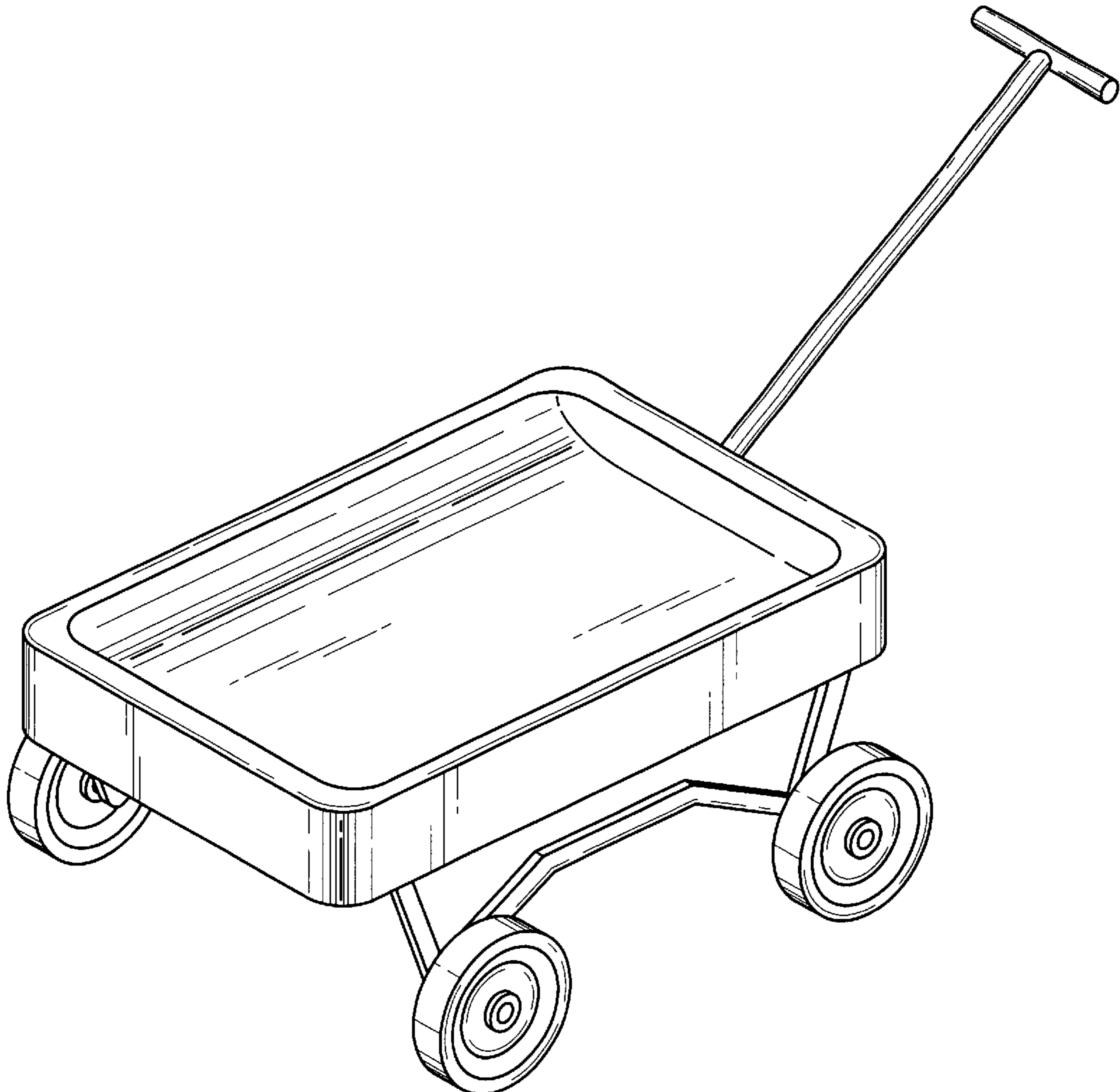


Fig. 1

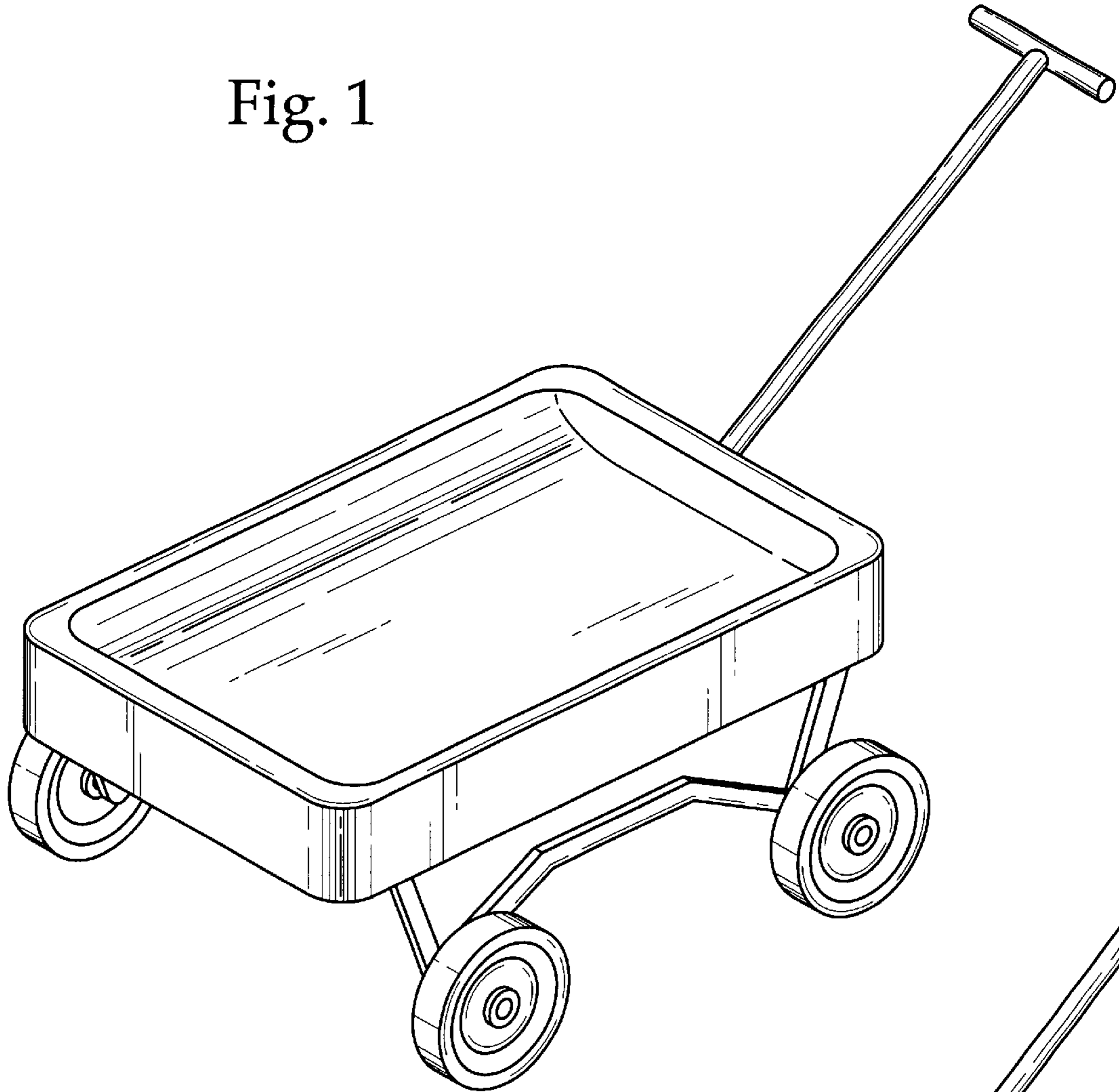
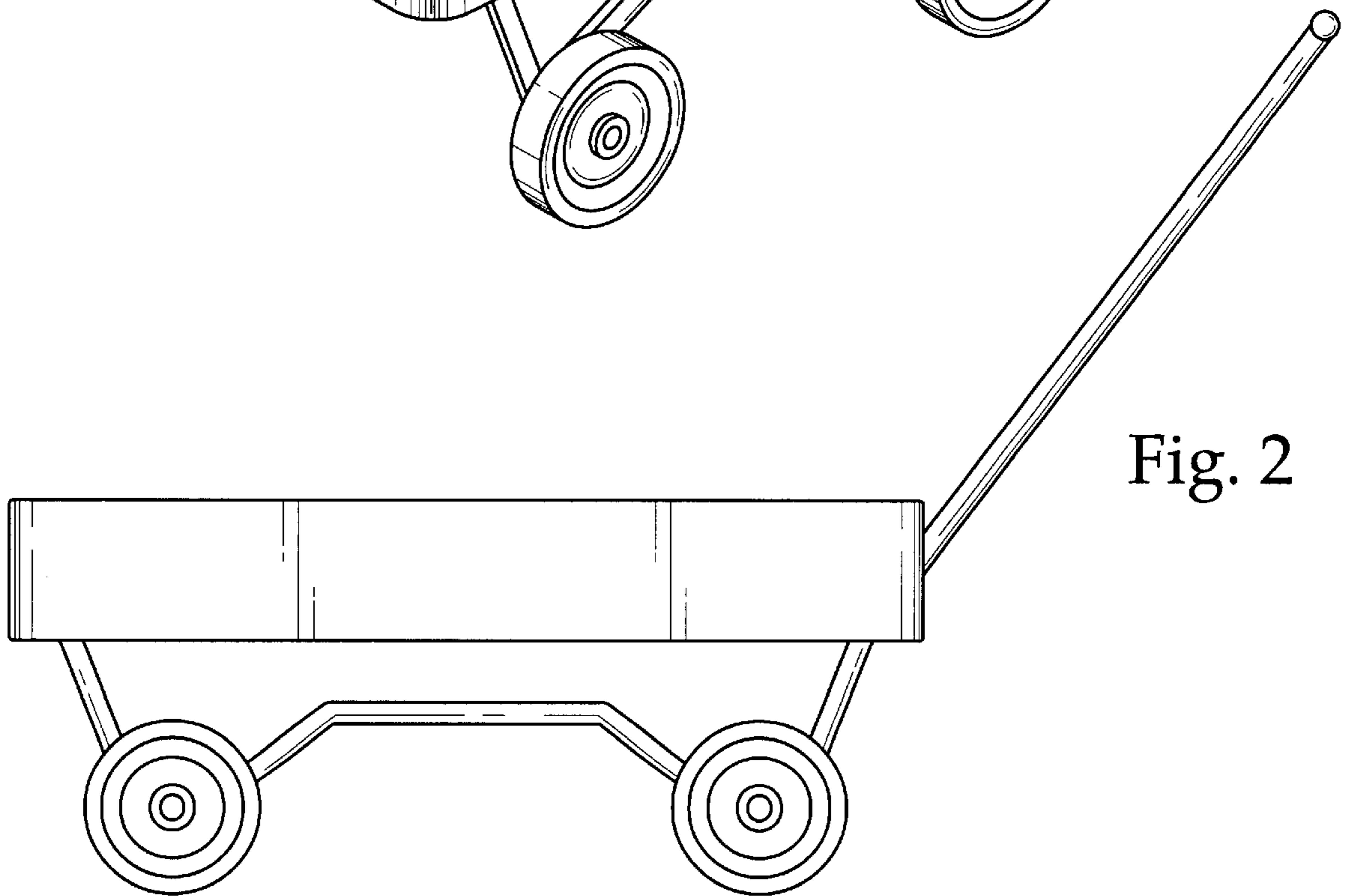


Fig. 2



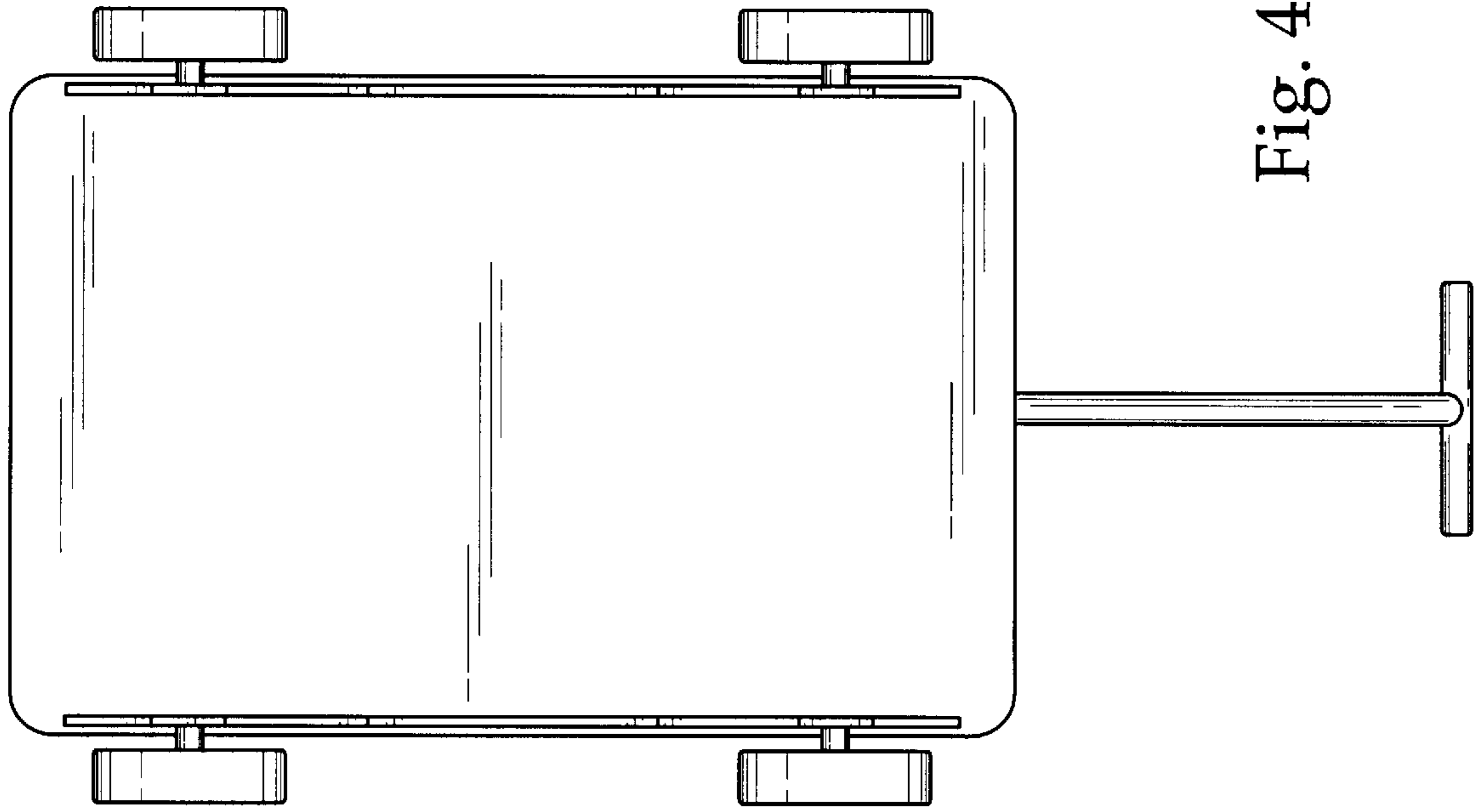


Fig. 4

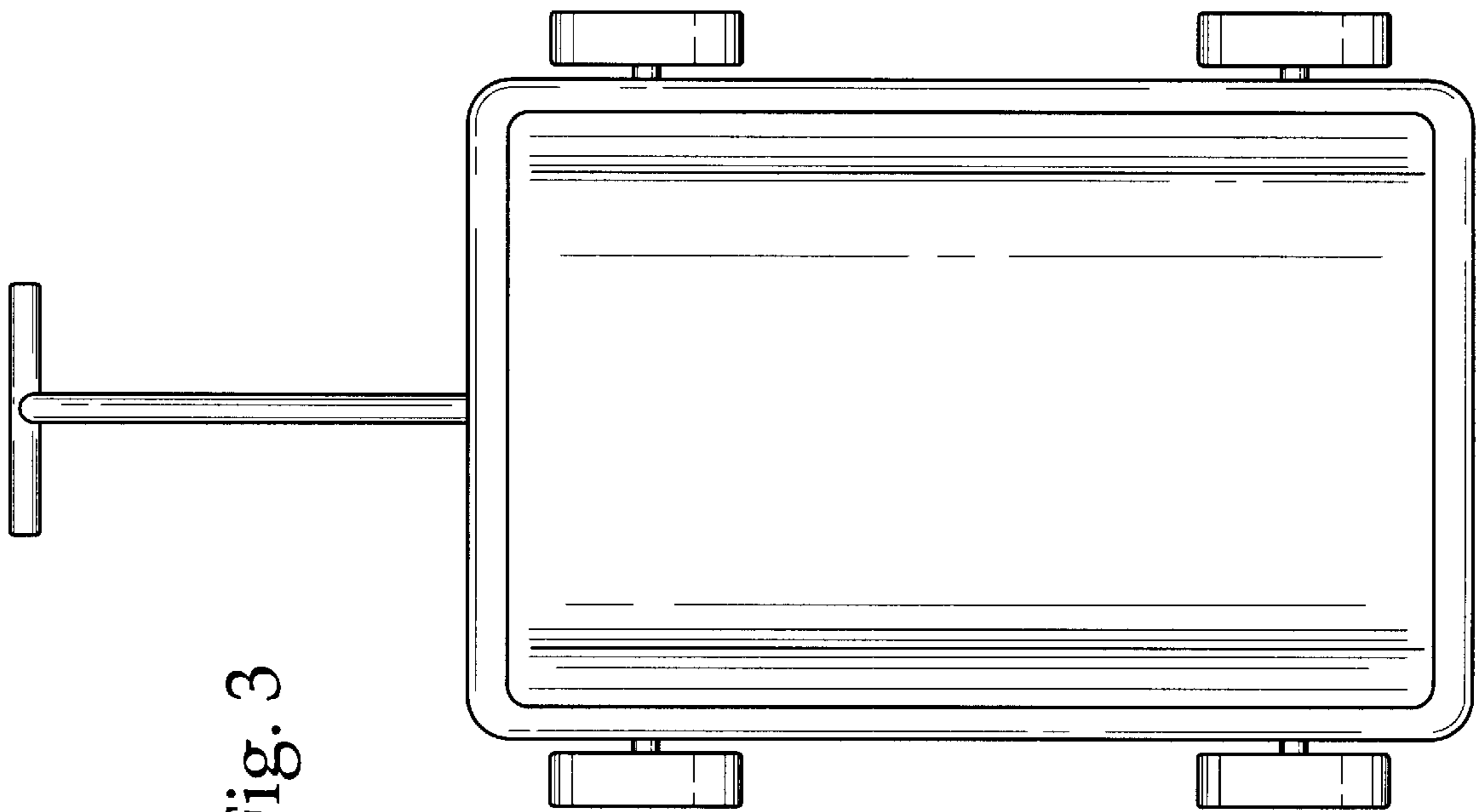


Fig. 3

Fig. 6

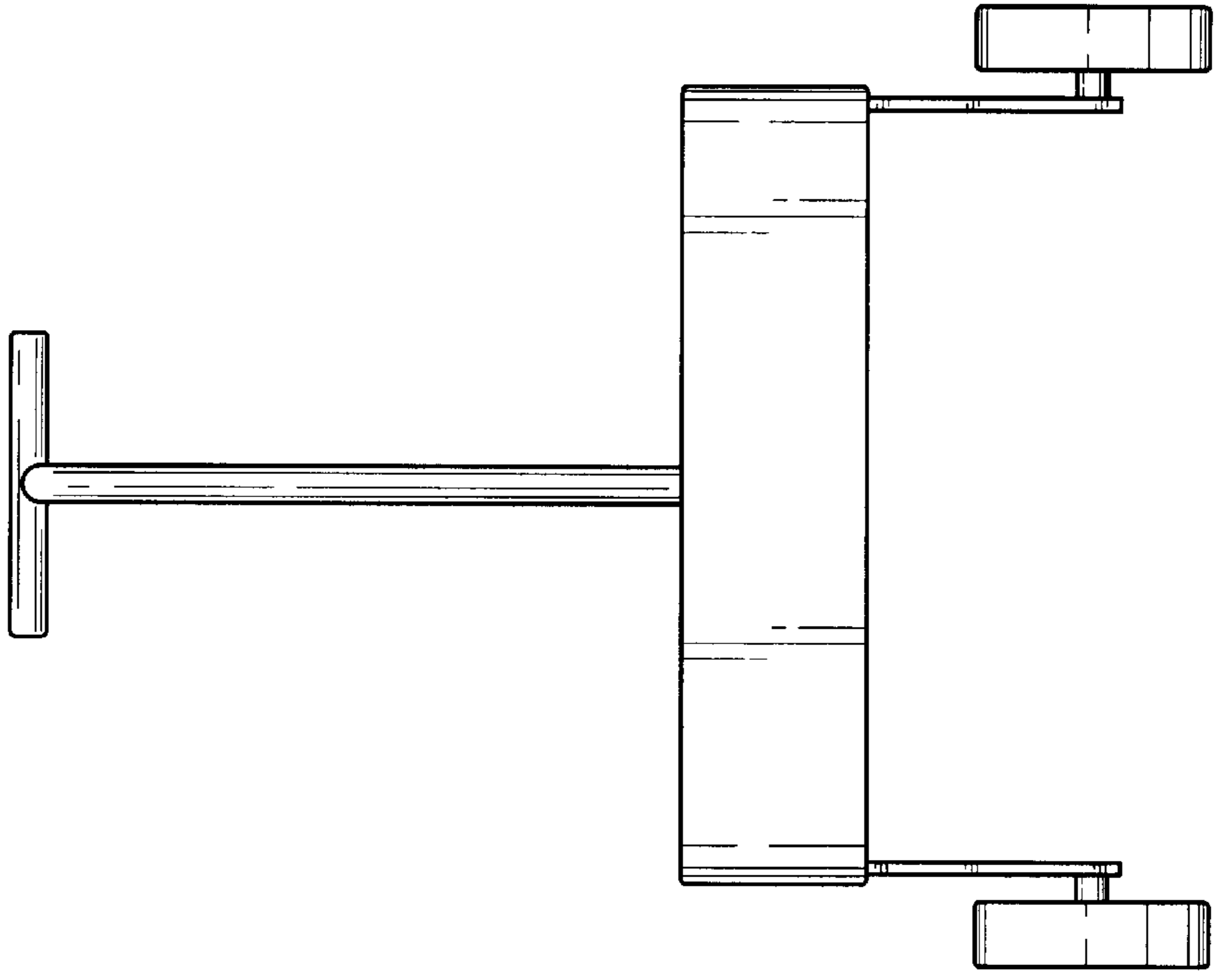


Fig. 5

