



US00D456851S

(12) **United States Design Patent**
Limber

(10) **Patent No.:** **US D456,851 S**

(45) **Date of Patent:** **** May 7, 2002**

(54) **LIGHTED LETTER PANEL**

(74) *Attorney, Agent, or Firm*—The Halvorson Law Firm

(76) **Inventor:** **Jamie A. Limber**, 1059 W. Vaughn Ave., Gilbert, AZ (US) 85233

(57) **CLAIM**

(**) **Term:** **14 Years**

The ornamental design for a lighted letter panel, as shown and described.

(21) **Appl. No.:** **29/124,932**

(22) **Filed:** **Jun. 14, 2000**

DESCRIPTION

(51) **LOC (7) Cl.** **20-02**

FIG. 1 is a front view of the panel, according to the present invention;

(52) **U.S. Cl.** **D20/12**

FIG. 2 is a left side view of the panel, according to the present invention, the inset is an illustration of the tabs according to the present invention;

(58) **Field of Search** D20/10, 12, 40, D20/42; 40/540, 545, 550, 551, 579, 583, 584, 624

FIG. 3 is a right side view, according to the present invention;

(56) **References Cited**

U.S. PATENT DOCUMENTS

D24,140 S	*	3/1895	Crandell	D20/12
D29,046 S	*	7/1898	Norden	D20/12
D324,547 S	*	3/1992	Burt	D20/12
D406,175 S	*	2/1999	Robinson et al.	D20/12
D410,254 S	*	5/1999	Pieroth	D20/12

FIG. 4 is an isometric view of a corner section according to the present invention; and,

OTHER PUBLICATIONS

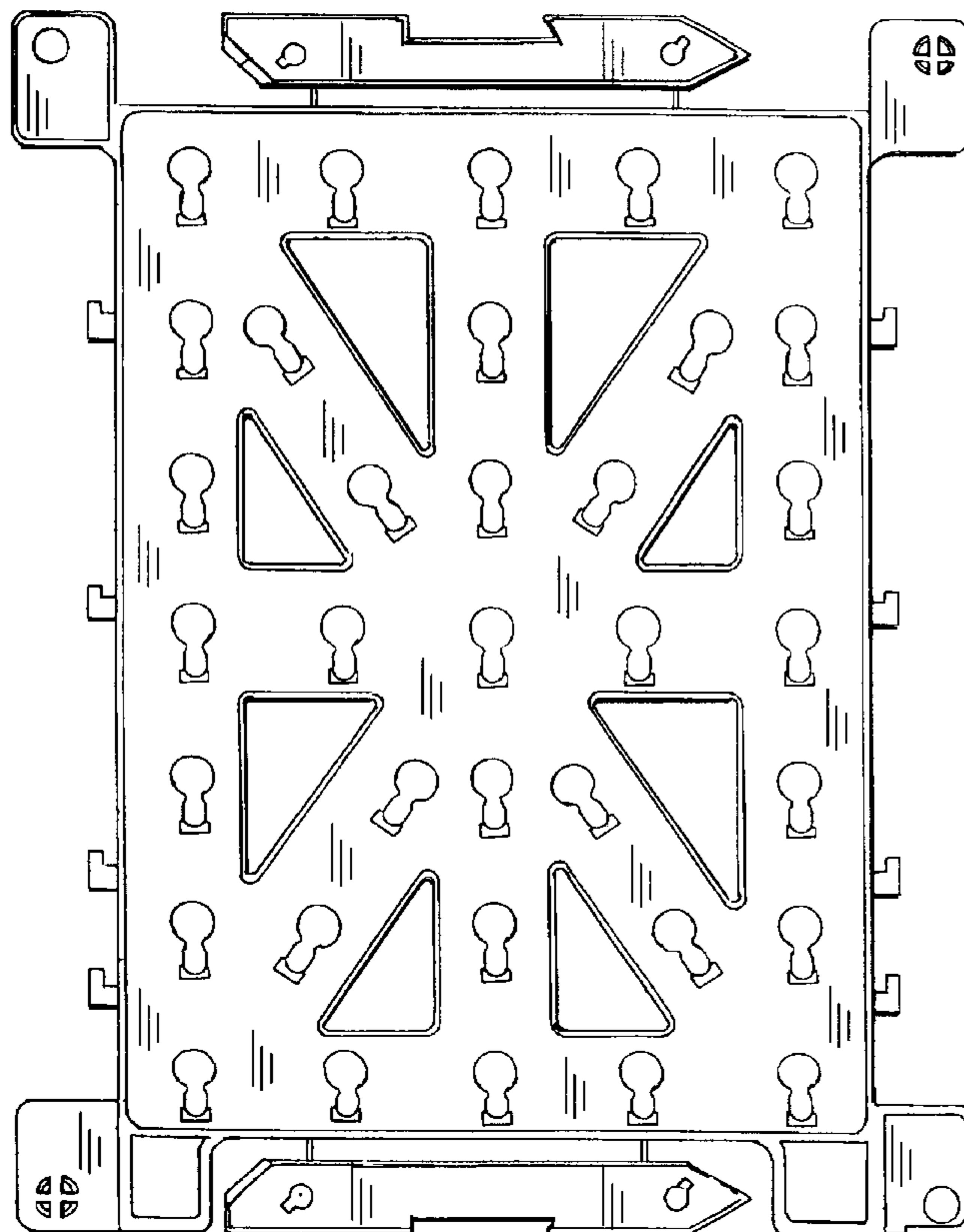
FIG. 5 is a rear view of voids to accommodate a male snap, according to the present invention.

Byers Products Inc. (Letter-Lites) prior to Jun. 14, 2000.*

* cited by examiner

Primary Examiner—Marcus A. Jackson

1 Claim, 3 Drawing Sheets



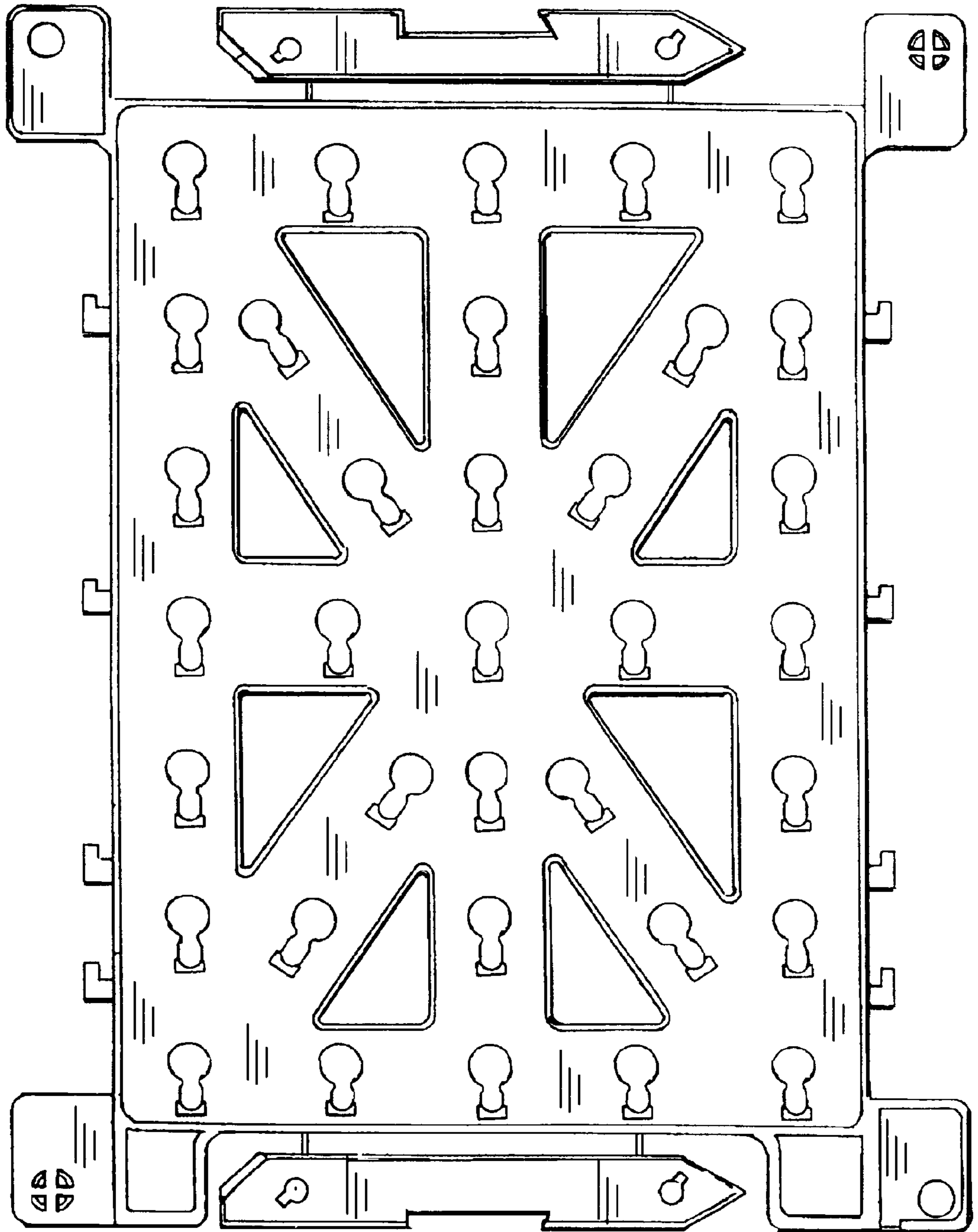


Fig. 1

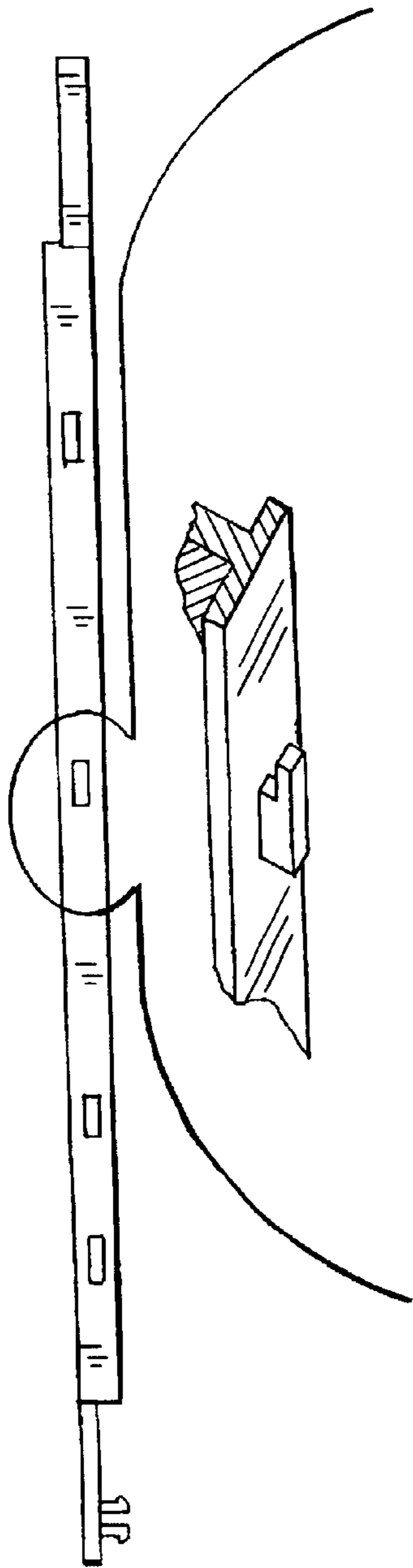


Fig. 2



Fig. 3

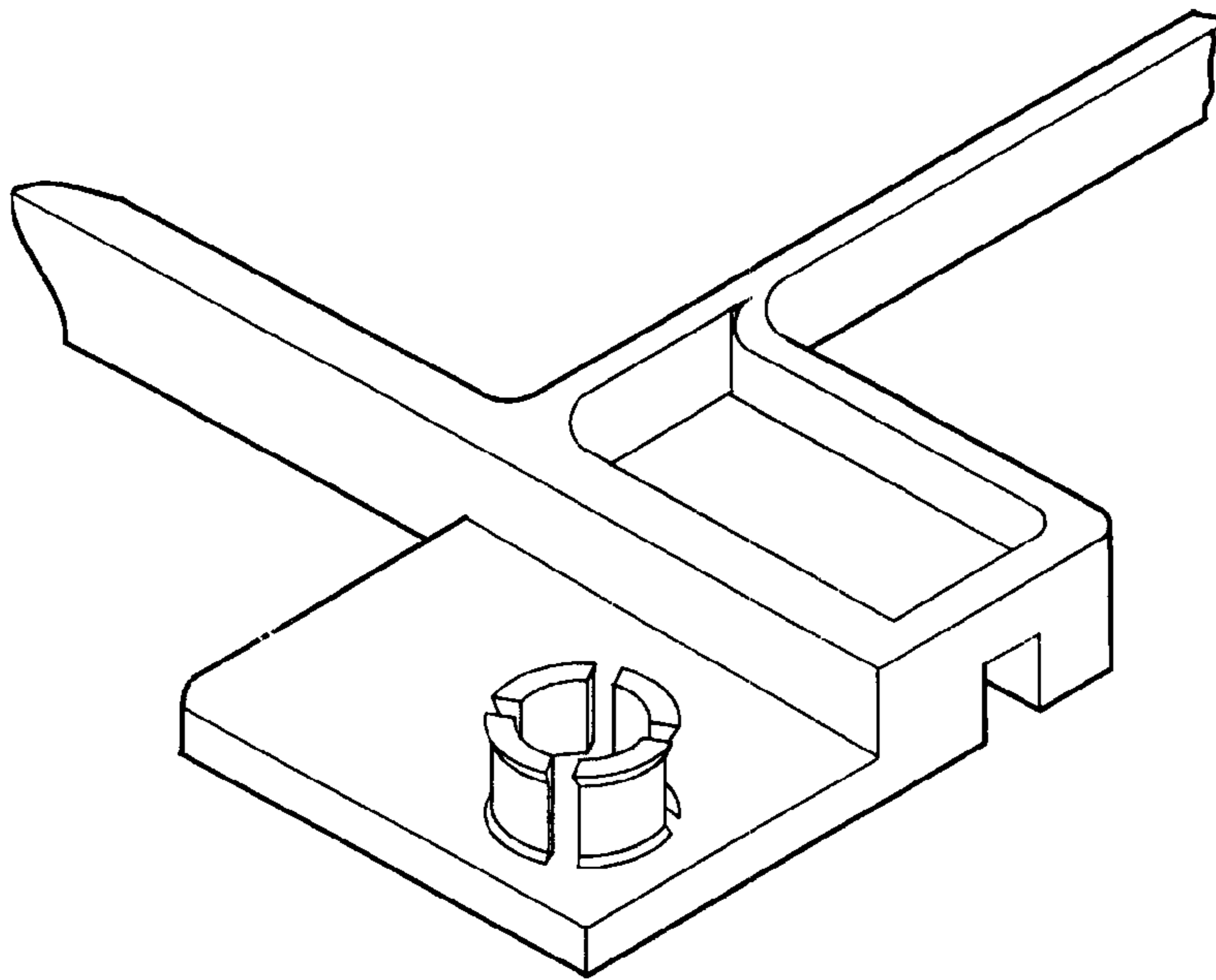


Fig. 4

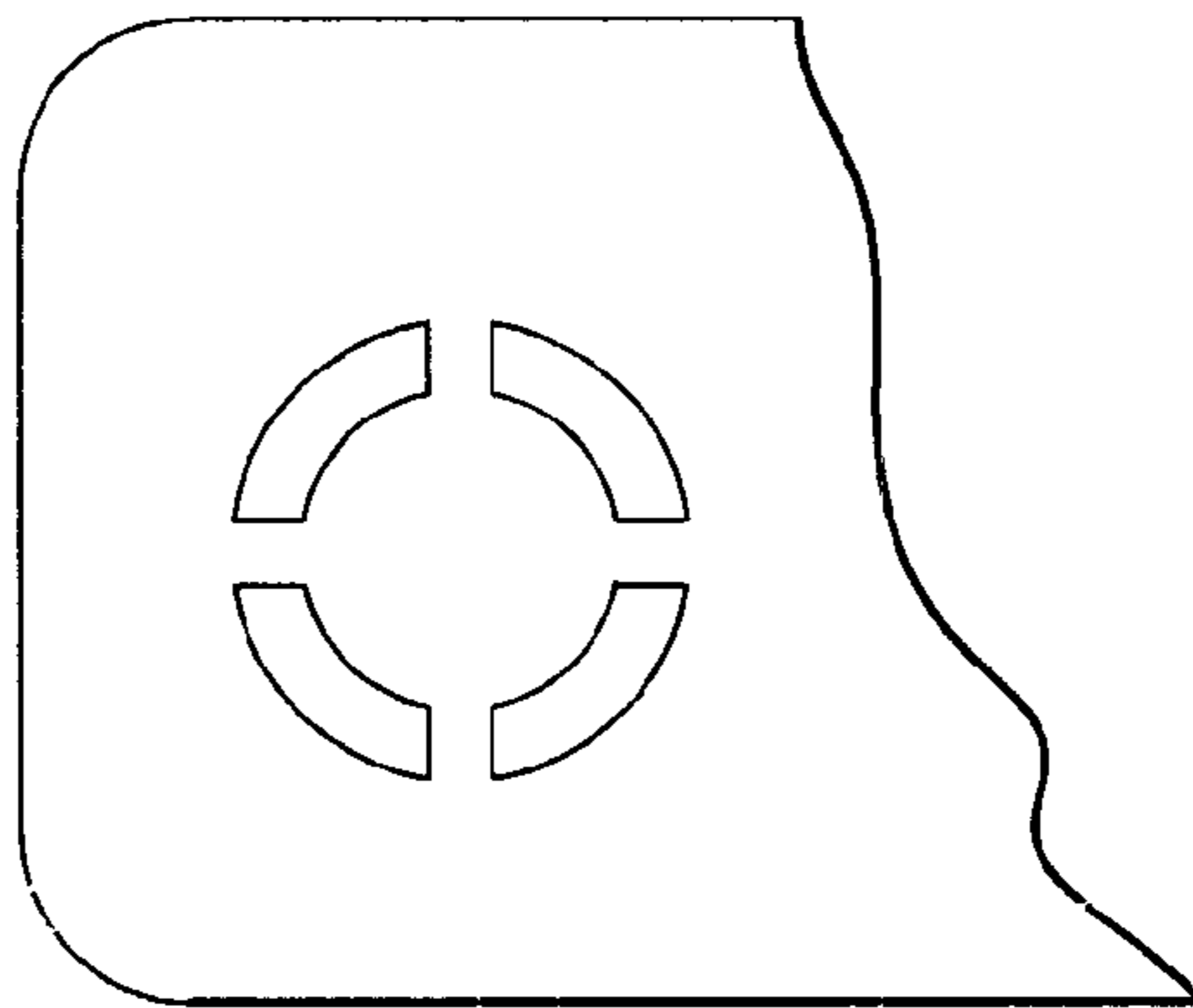


Fig. 5