



US00D456849S

(12) **United States Design Patent**
Thompson et al.

(10) **Patent No.:** **US D456,849 S**

(45) **Date of Patent:** **** May 7, 2002**

(54) **DISPENSER**

(75) Inventors: **Craig D Thompson**, Inver Grove Heights, MN (US); **Kevin C. Coullahan**, Santa Cruz, CA (US); **Chris Green**, San Francisco, CA (US); **Treasure L. Hinds**, Santa Cruz, CA (US); **Milind V. Pawar**, Santa Clara, CA (US)

(73) Assignee: **3M Innovative Properties Company**, St. Paul, MN (US)

(**) Term: **14 Years**

(21) Appl. No.: **29/135,665**

(22) Filed: **Jan. 16, 2001**

(51) **LOC (7) Cl.** **19-02**

(52) **U.S. Cl.** **D19/86**

(58) **Field of Search** D19/52, 65, 75, D19/78, 86, 88, 90, 91, 92, 95, 100; 40/642.02; 248/441.1, 441.2, 445, 450, 451, 452, 453, 460, 469, 473, 910; 281/44; D6/516, 518; 221/34, 35, 45, 46, 48, 51, 63

(56) **References Cited**

U.S. PATENT DOCUMENTS

D183,449	S	*	9/1958	Dillen	D19/86
D238,469	S	*	1/1976	Lanius	D6/518
4,416,392	A		11/1983	Smith	221/45
4,562,938	A		1/1986	Loder	221/46
4,653,666	A		3/1987	Mertens	221/45
4,796,781	A		1/1989	Windorski	221/45
4,993,590	A		2/1991	Windorski	221/46
D324,076	S	*	2/1992	Freitag	D19/86
5,165,570	A		11/1992	Windorski et al.	221/46
D332,284	S	*	1/1993	Van Eijben et al.	D19/86
D357,938	S	*	5/1995	Wolff	D6/518
5,755,356	A		5/1998	Bastiaens et al.	221/33
5,798,159	A		8/1998	Callahan, Jr. et al.	428/40.1

* cited by examiner

Primary Examiner—Doris V. Coles

Assistant Examiner—Elizabeth A. Albert

(74) *Attorney, Agent, or Firm*—Michaele A. Hakamaki

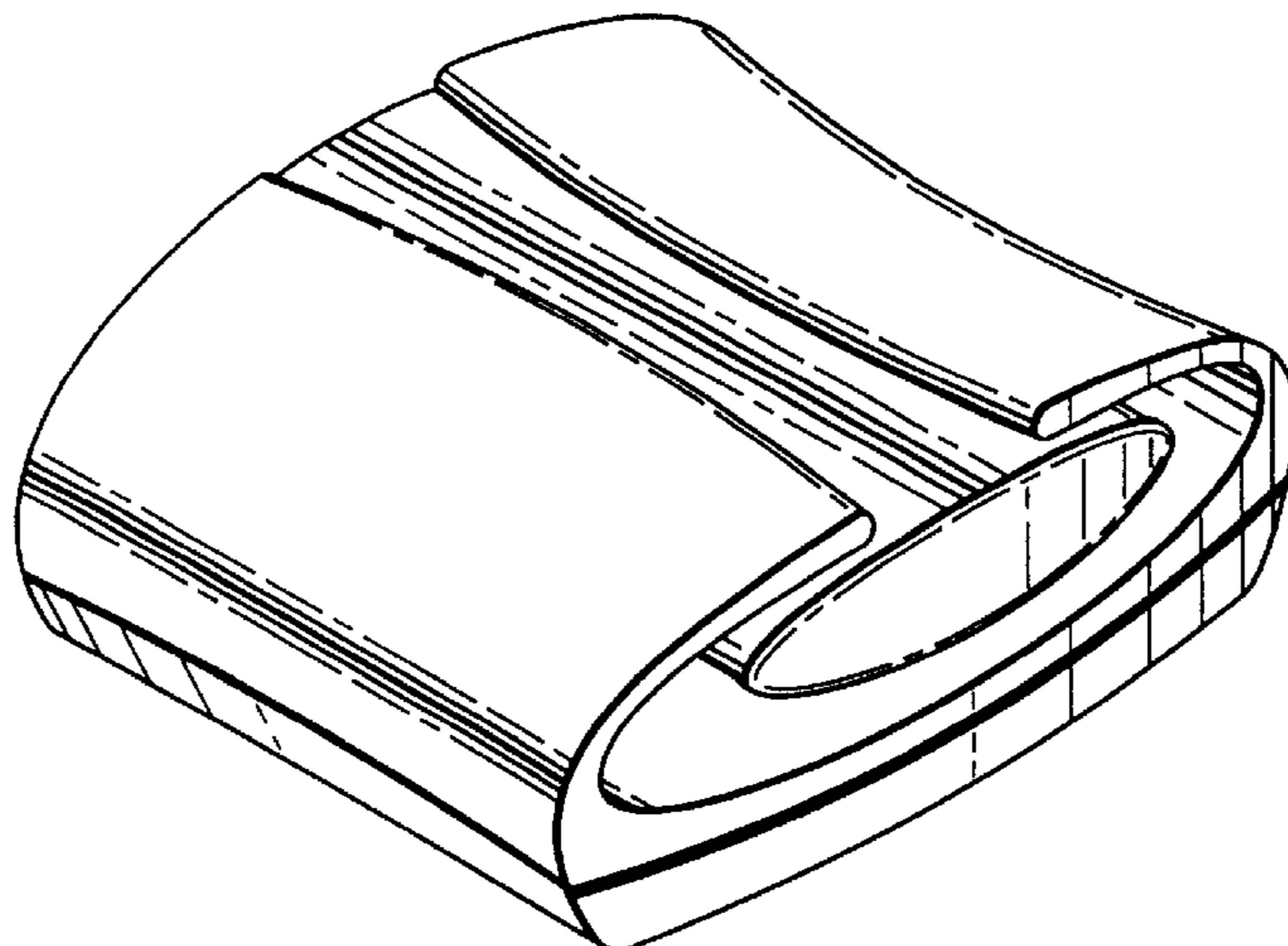
(57) **CLAIM**

The ornamental design for a dispenser, as shown and described.

DESCRIPTION

FIG. 1 is an isometric view of a first embodiment of a dispenser according to the present invention; FIG. 2 is a top plan view of the dispenser illustrated in FIG. 1; FIG. 3 is a front view of the dispenser illustrated in FIG. 1, the rear view being the mirror image thereof; FIG. 4 is a left side view of the dispenser illustrated in FIG. 1, the right side view being the mirror image thereof; FIG. 5 is a bottom plan view of the dispenser illustrated in FIG. 1; FIG. 6 is an isometric view of a second embodiment of a dispenser according to the present invention; FIG. 7 is a top plan view of the dispenser illustrated in FIG. 6; FIG. 8 is a front view of the dispenser illustrated in FIG. 6, the rear view being the mirror image thereof; FIG. 9 is a left side view of the dispenser illustrated in FIG. 6, the right side being the mirror image thereof; FIG. 10 is a bottom plan view of the dispenser illustrated in FIG. 6; FIG. 11 is an isometric view of a third embodiment of a dispenser according to the present invention; FIG. 12 is a top plan view of the dispenser illustrated in FIG. 11; FIG. 13 is a front view of the dispenser illustrated in FIG. 11, the rear view being the mirror image thereof; FIG. 14 is a left side view of the dispenser illustrated in FIG. 11, the right side view being the mirror image thereof; and, FIG. 15 is a bottom plan view of the dispenser illustrated in FIG. 11.

1 Claim, 6 Drawing Sheets



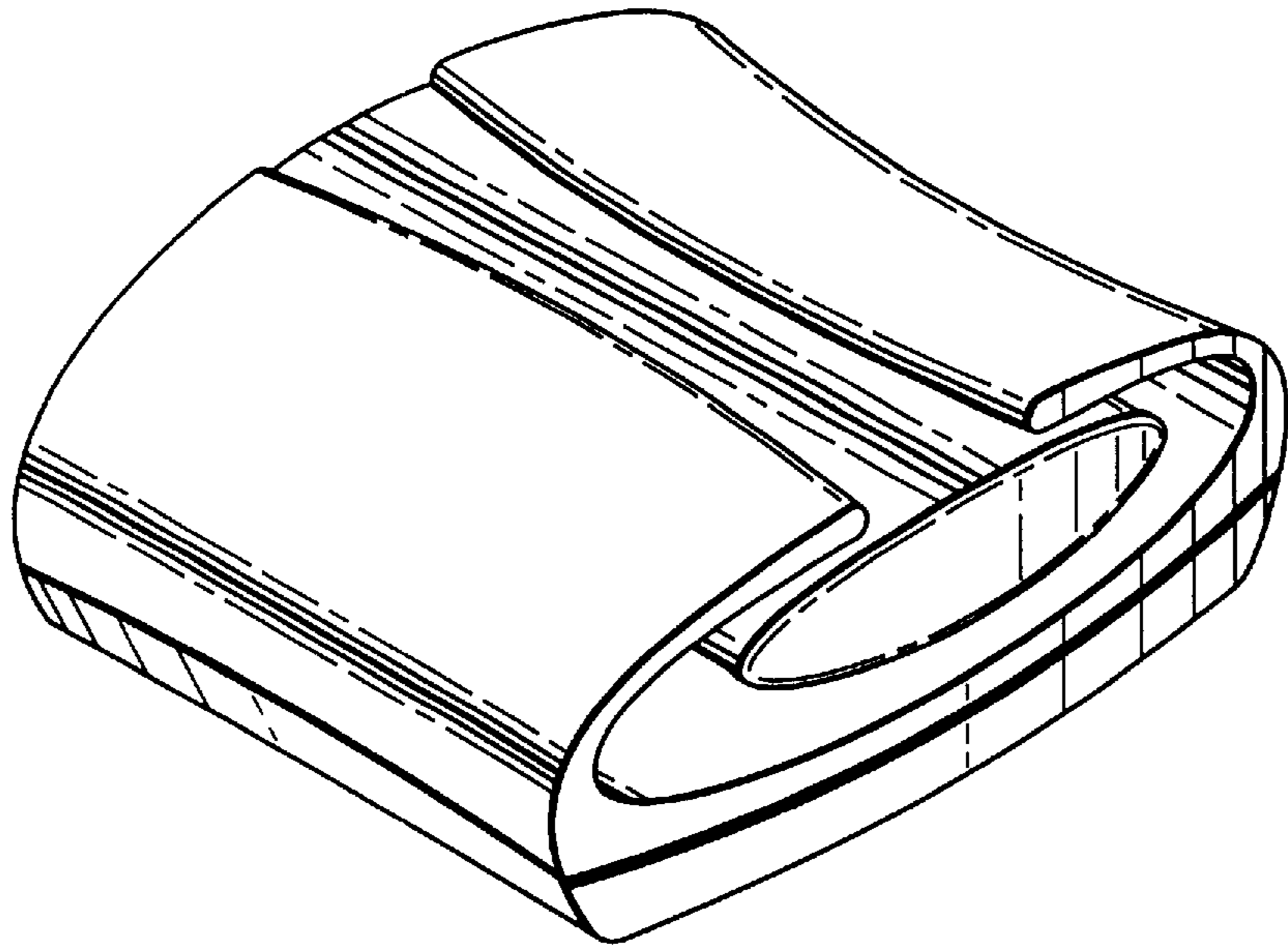


Fig. 1

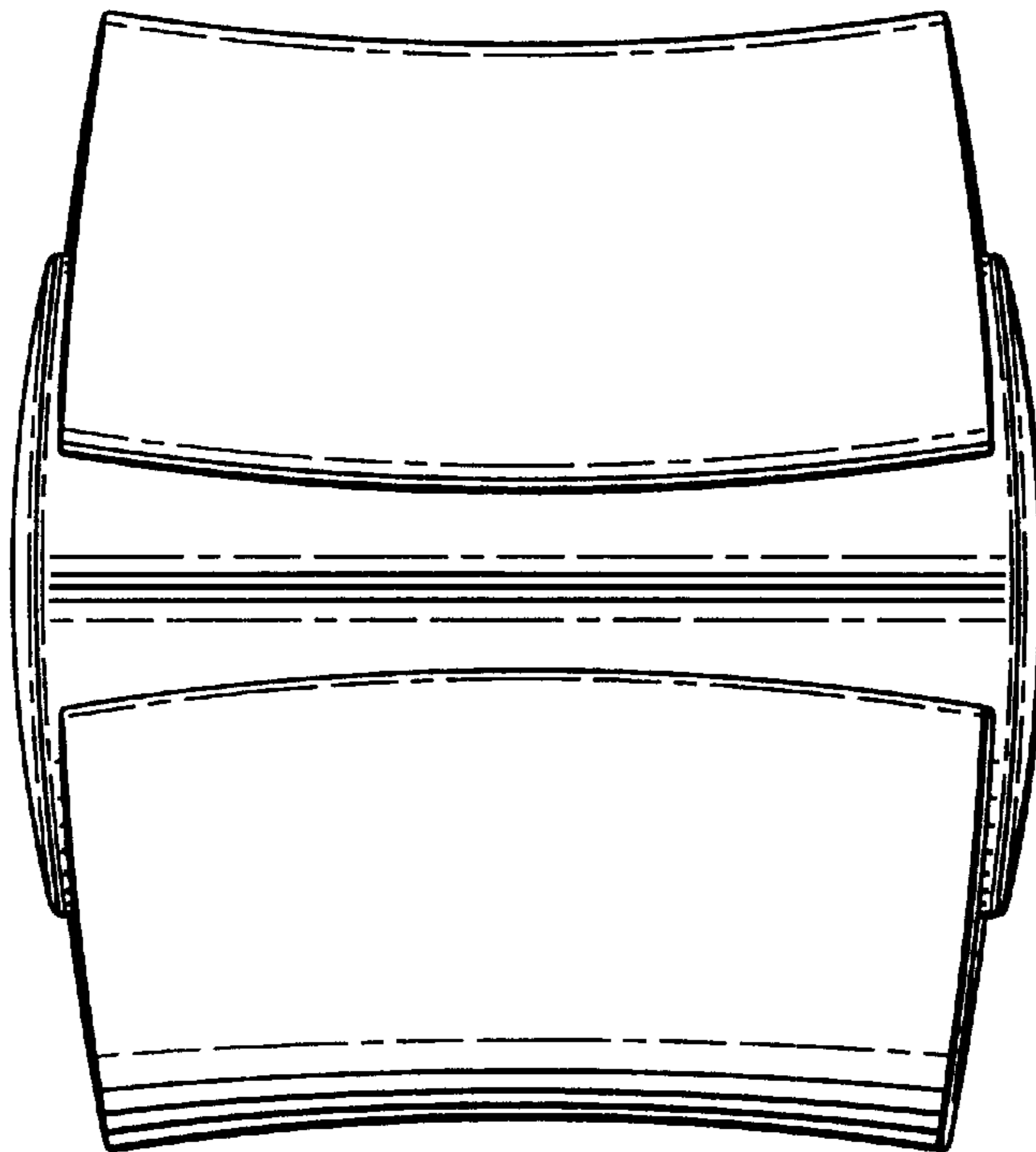


Fig. 2

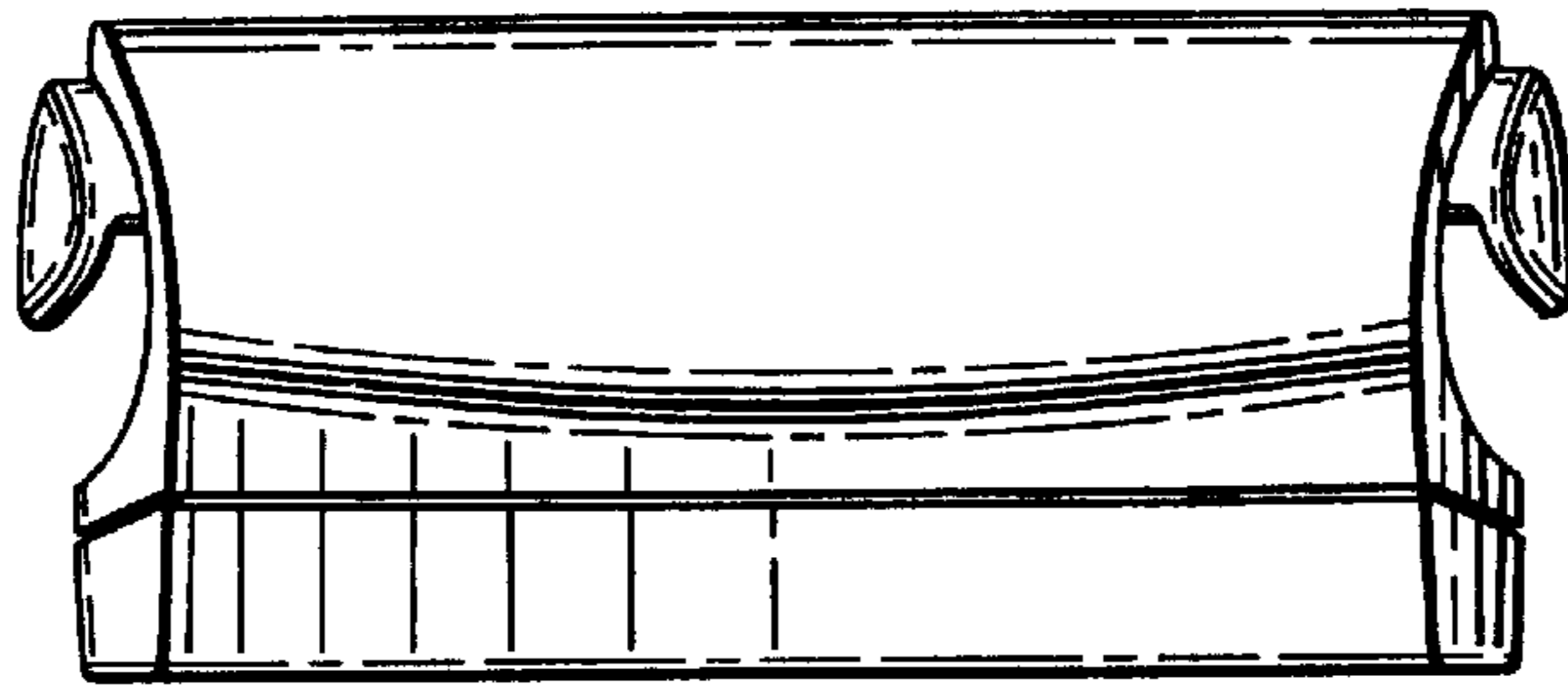


Fig. 3

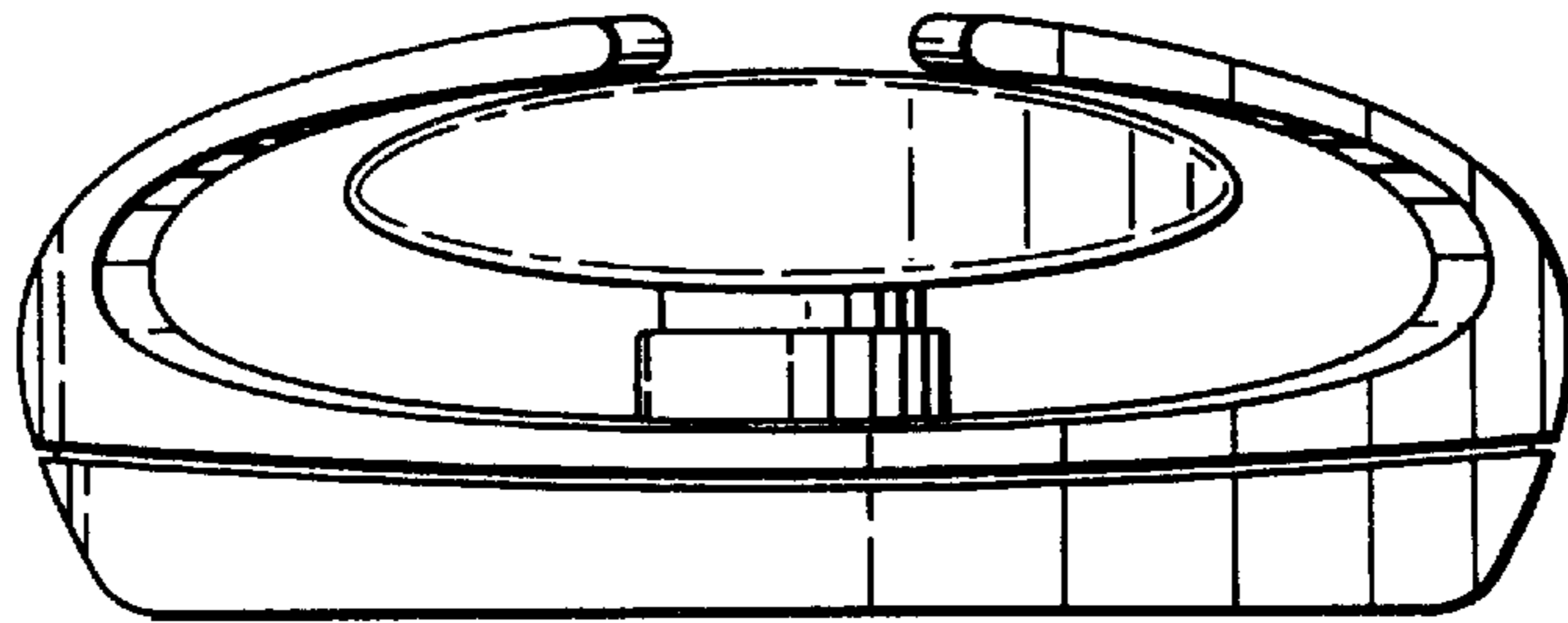


Fig. 4

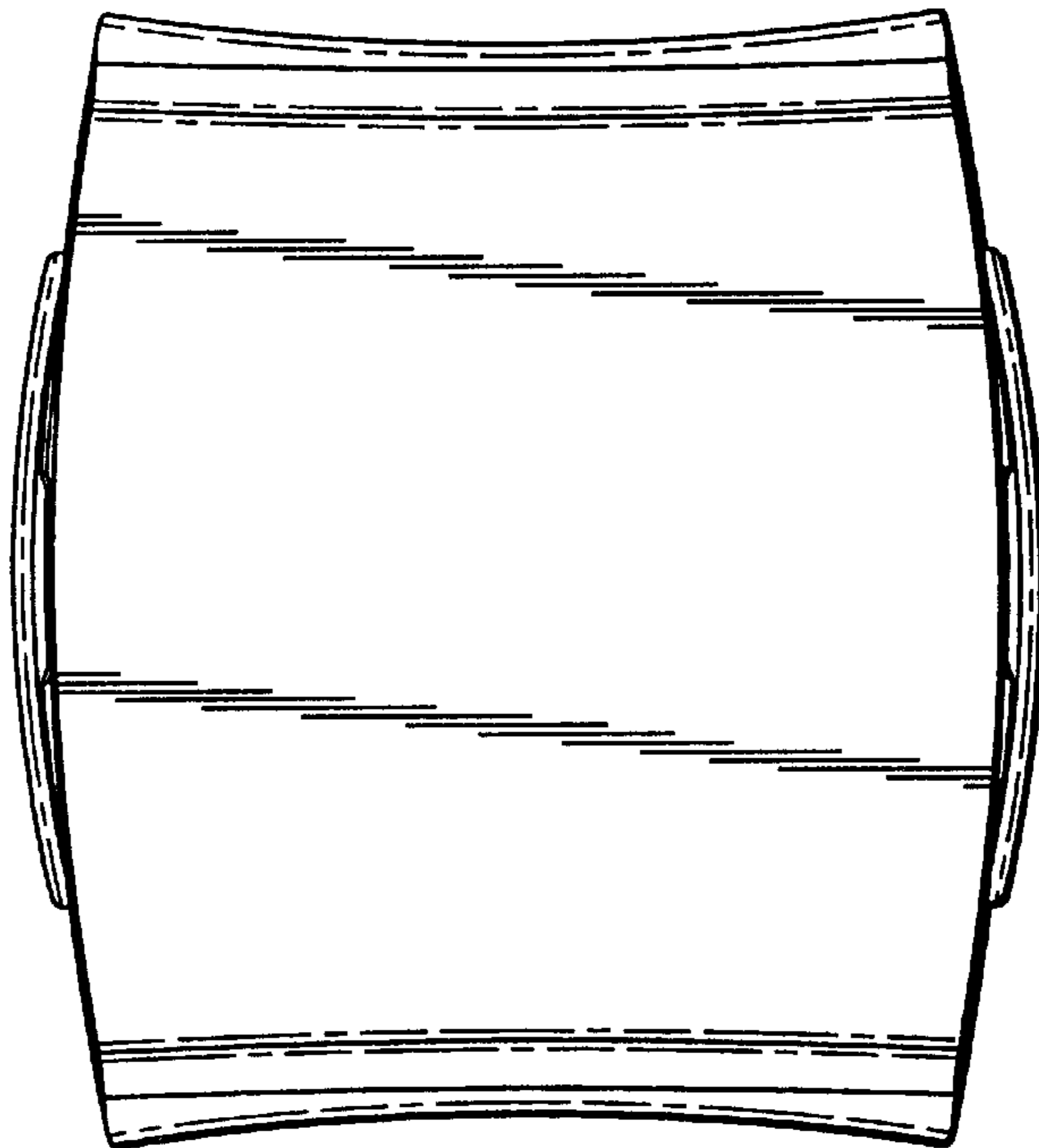


Fig. 5

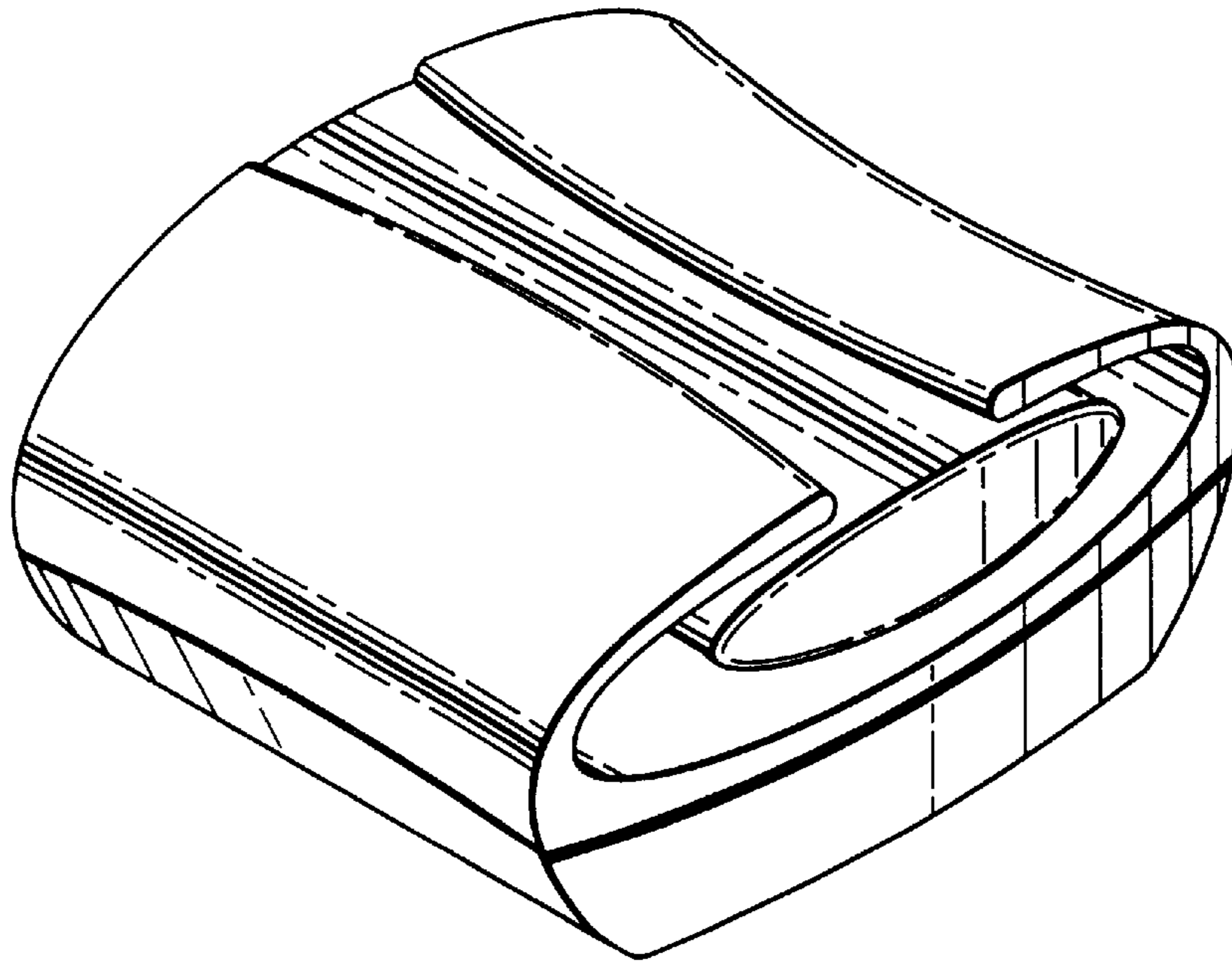


Fig. 6

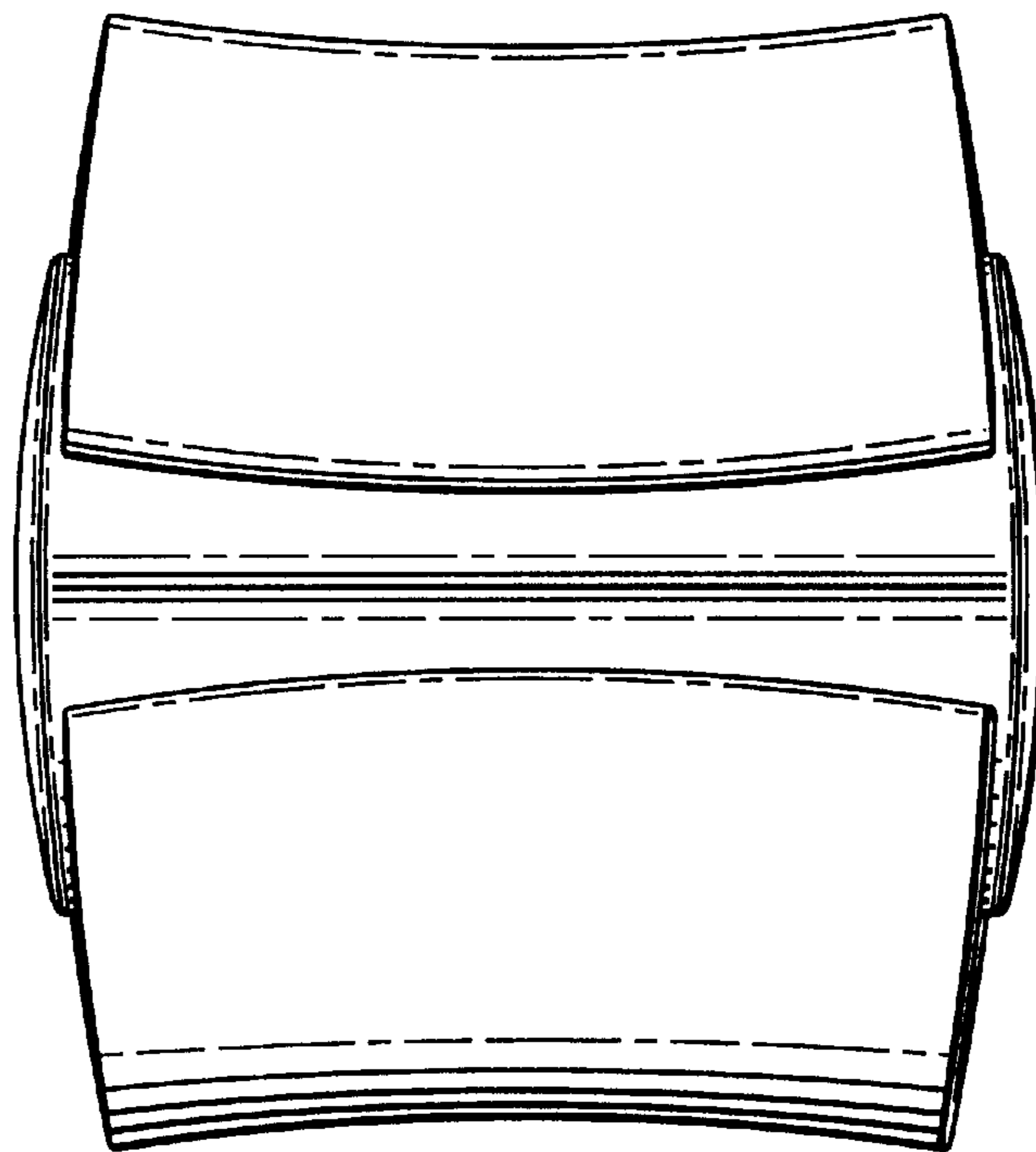


Fig. 7

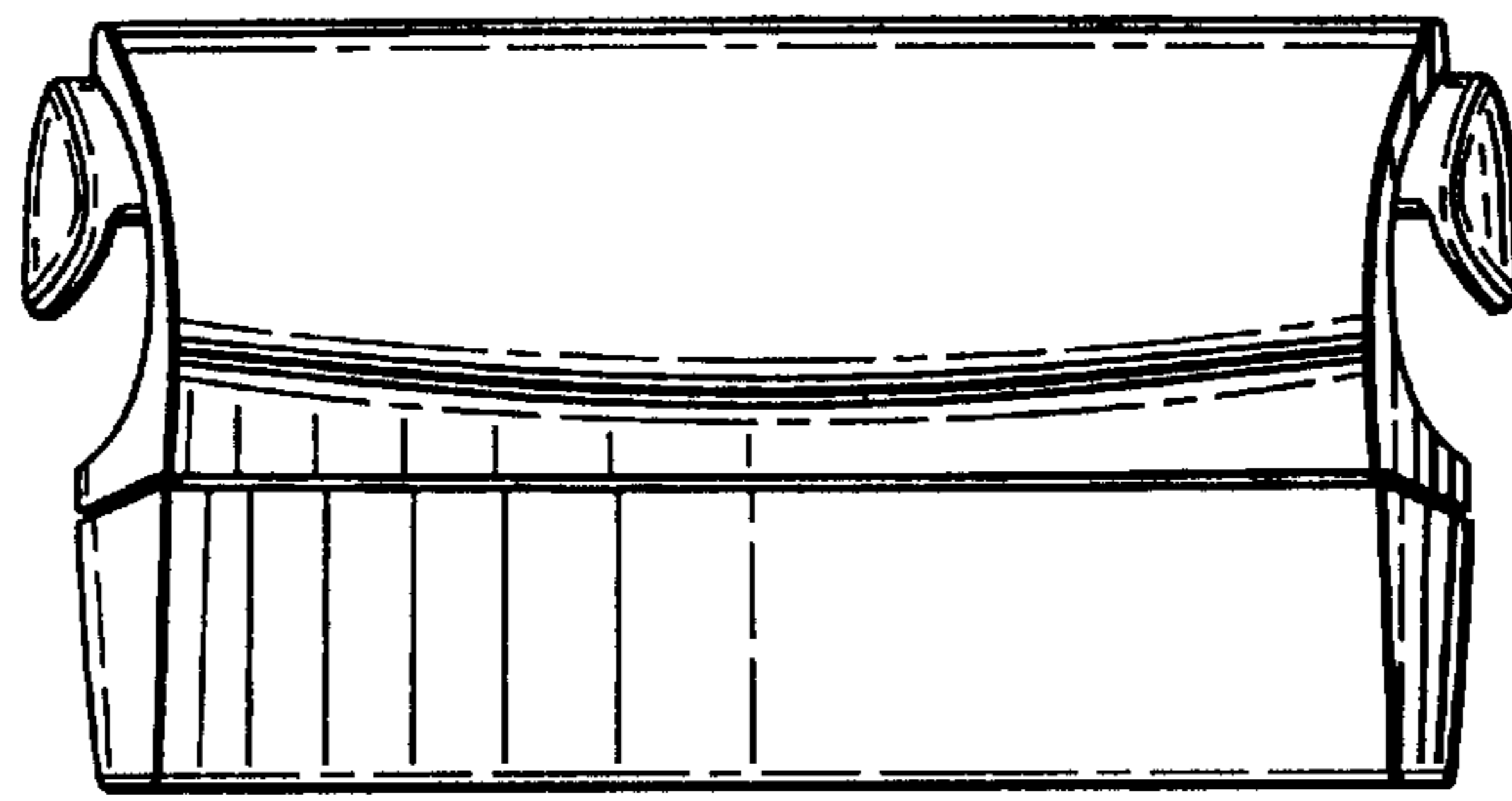


Fig. 8

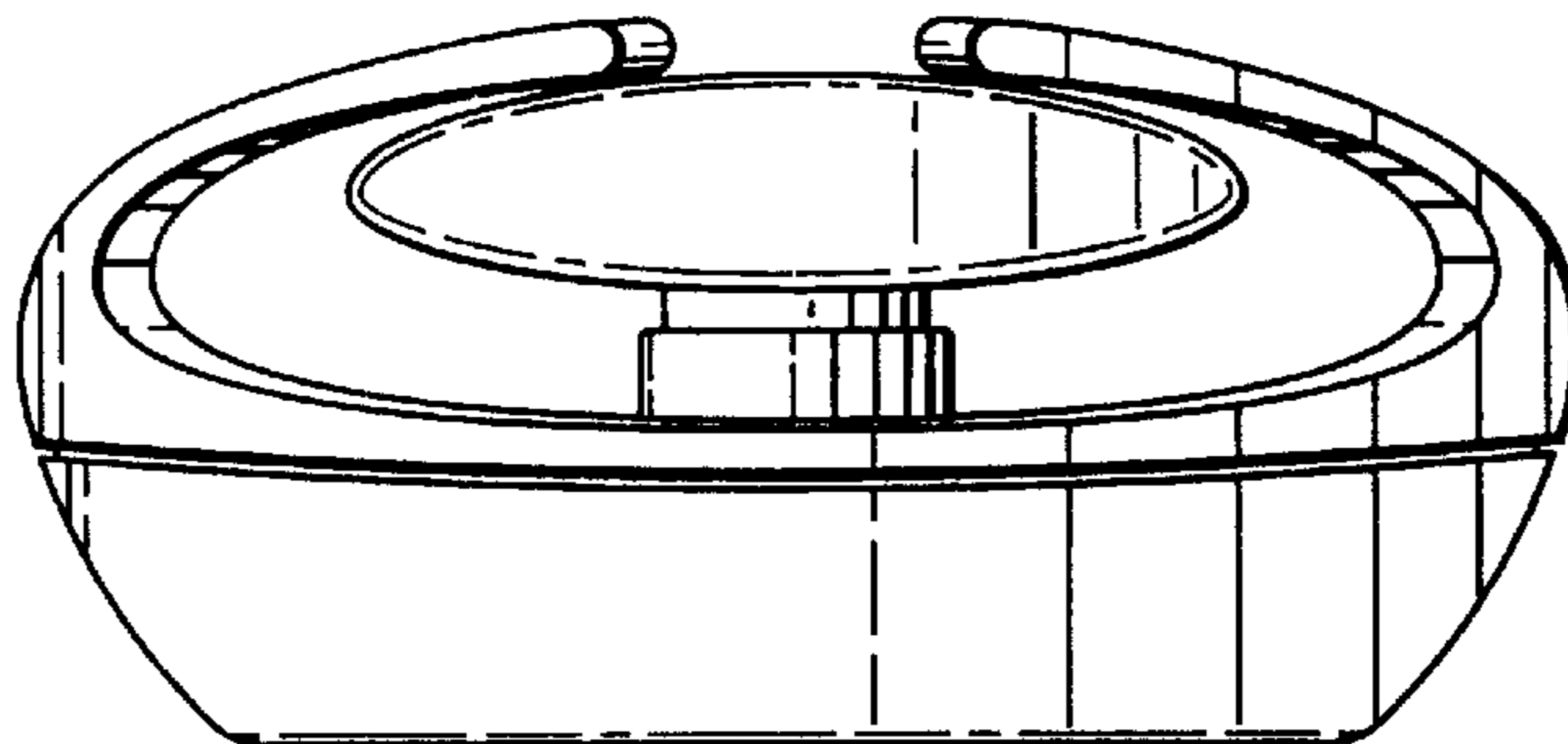


Fig. 9

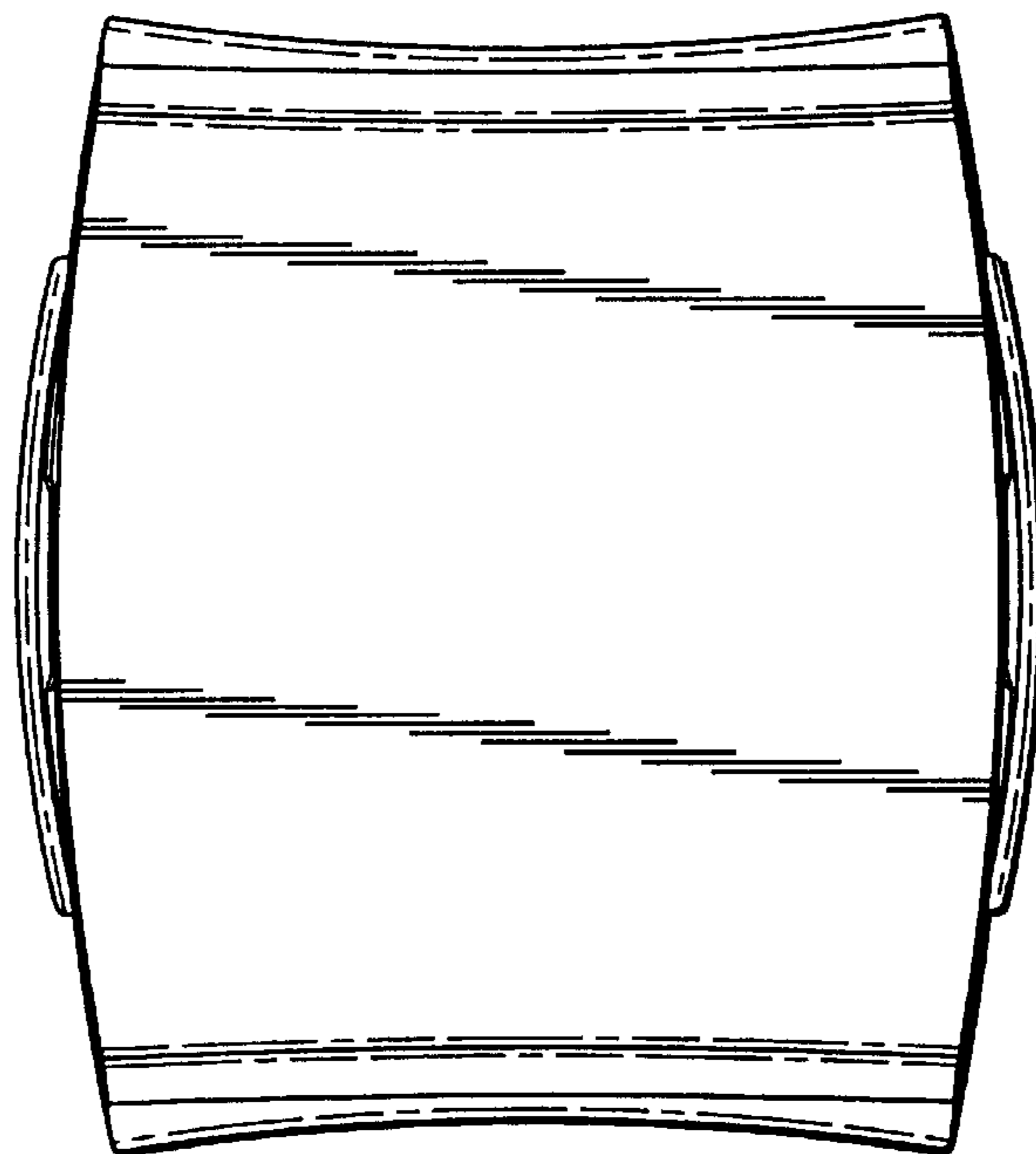


Fig. 10

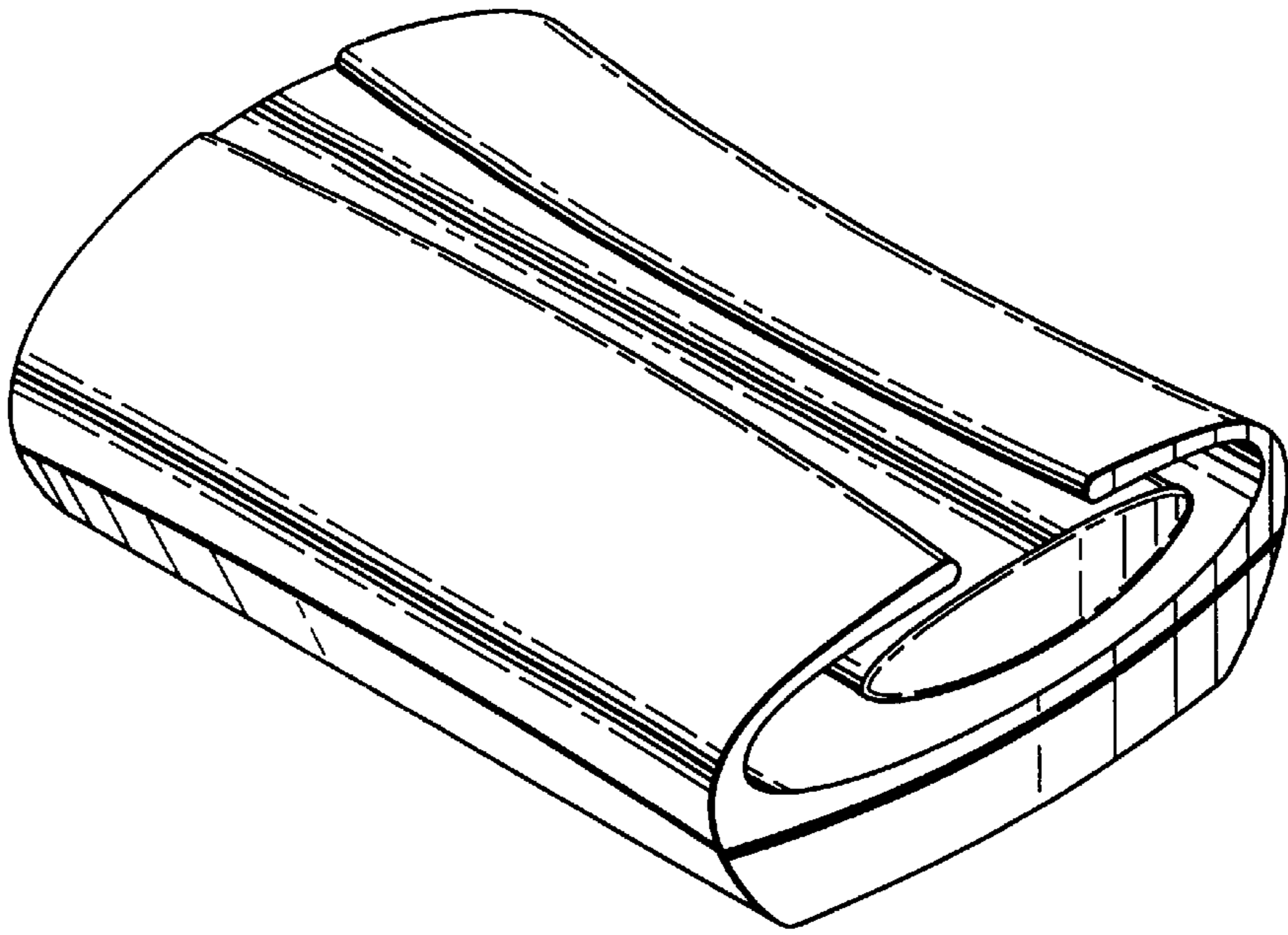


Fig. 11

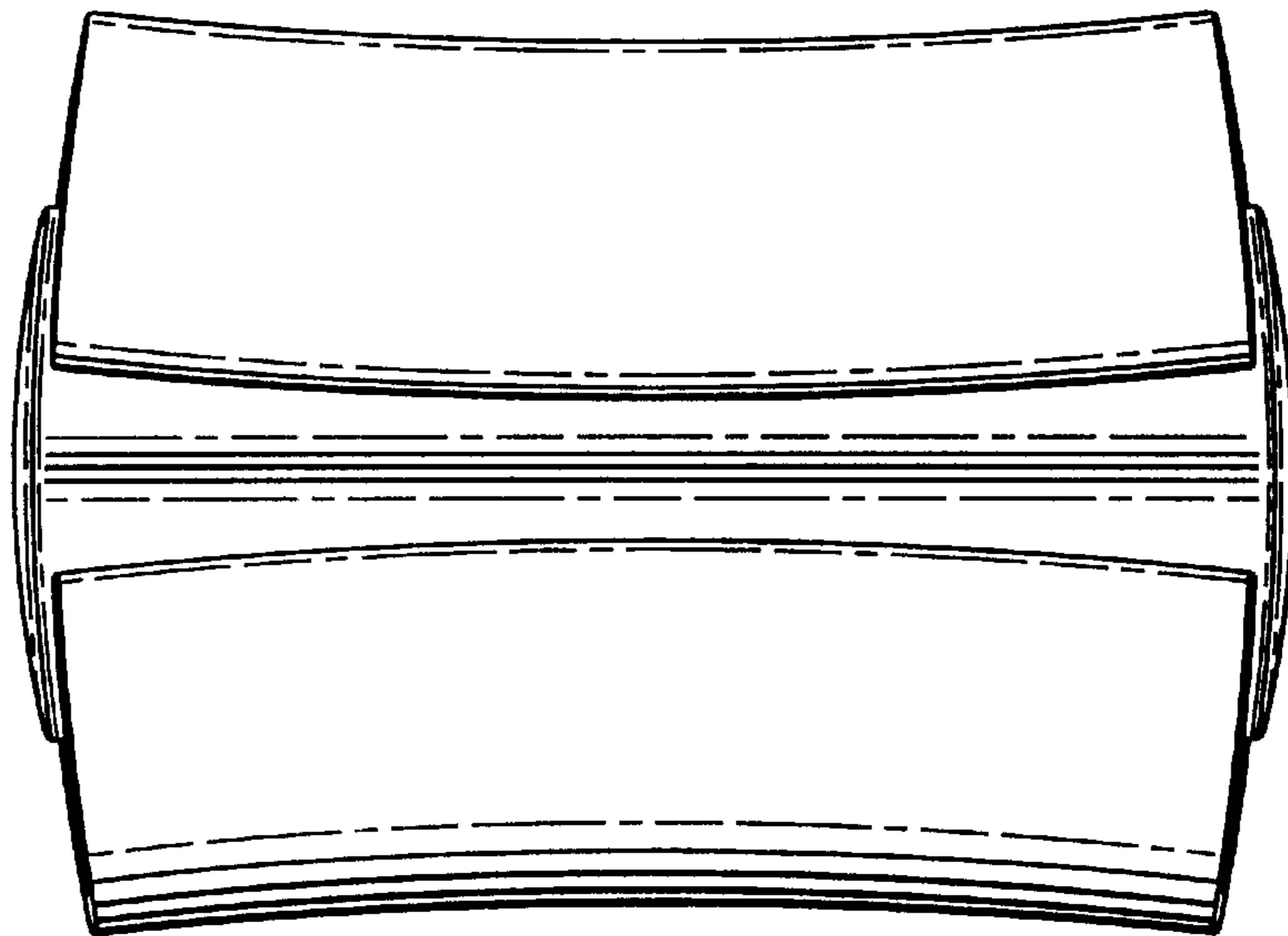


Fig. 12

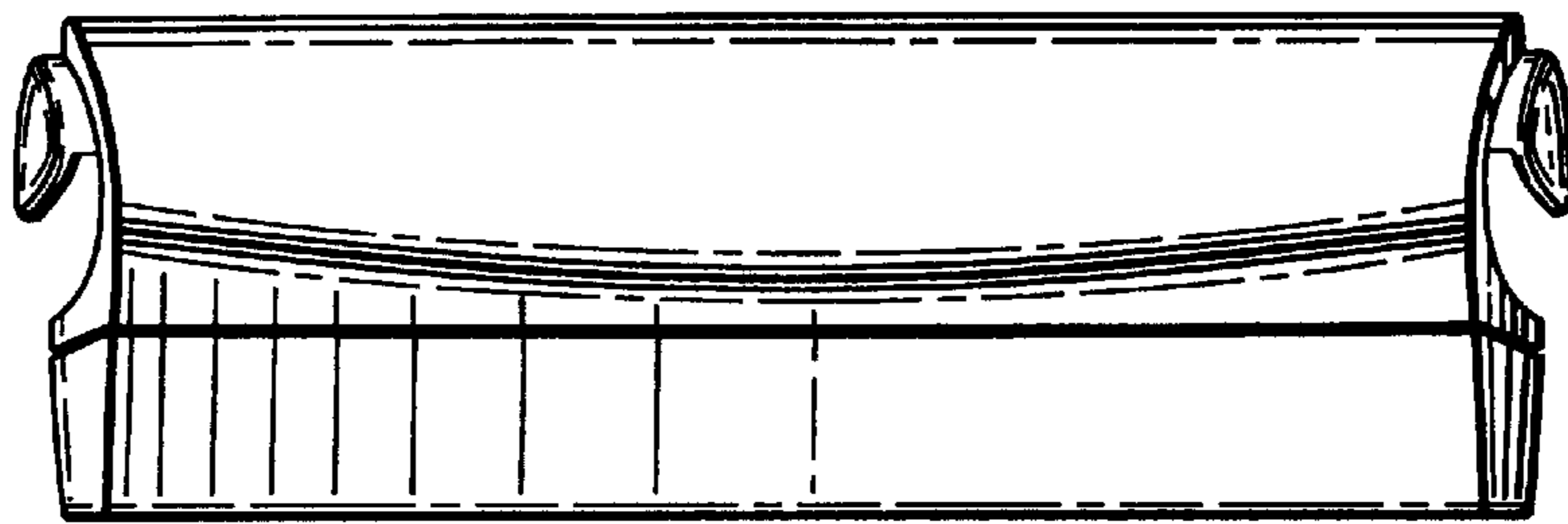


Fig. 13

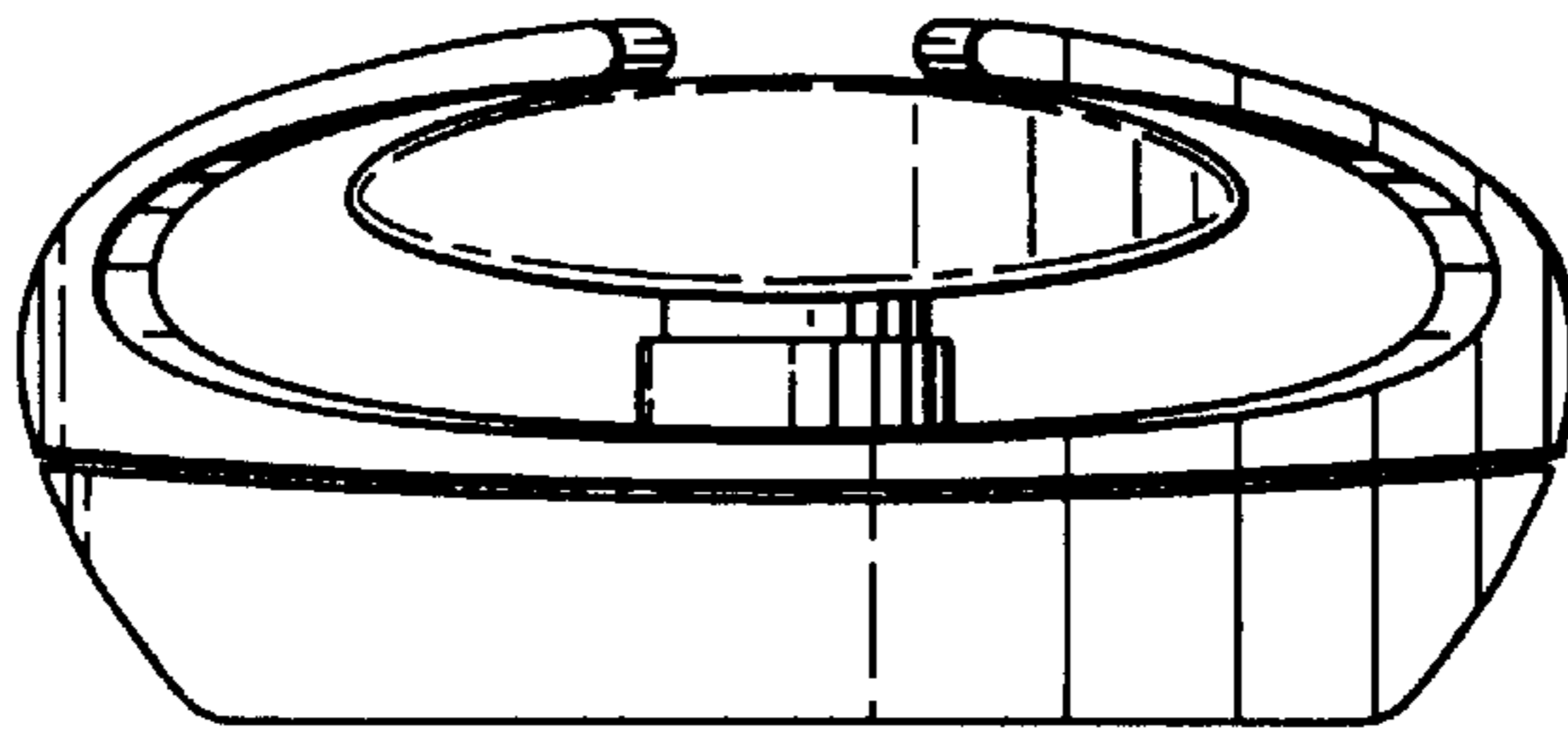


Fig. 14

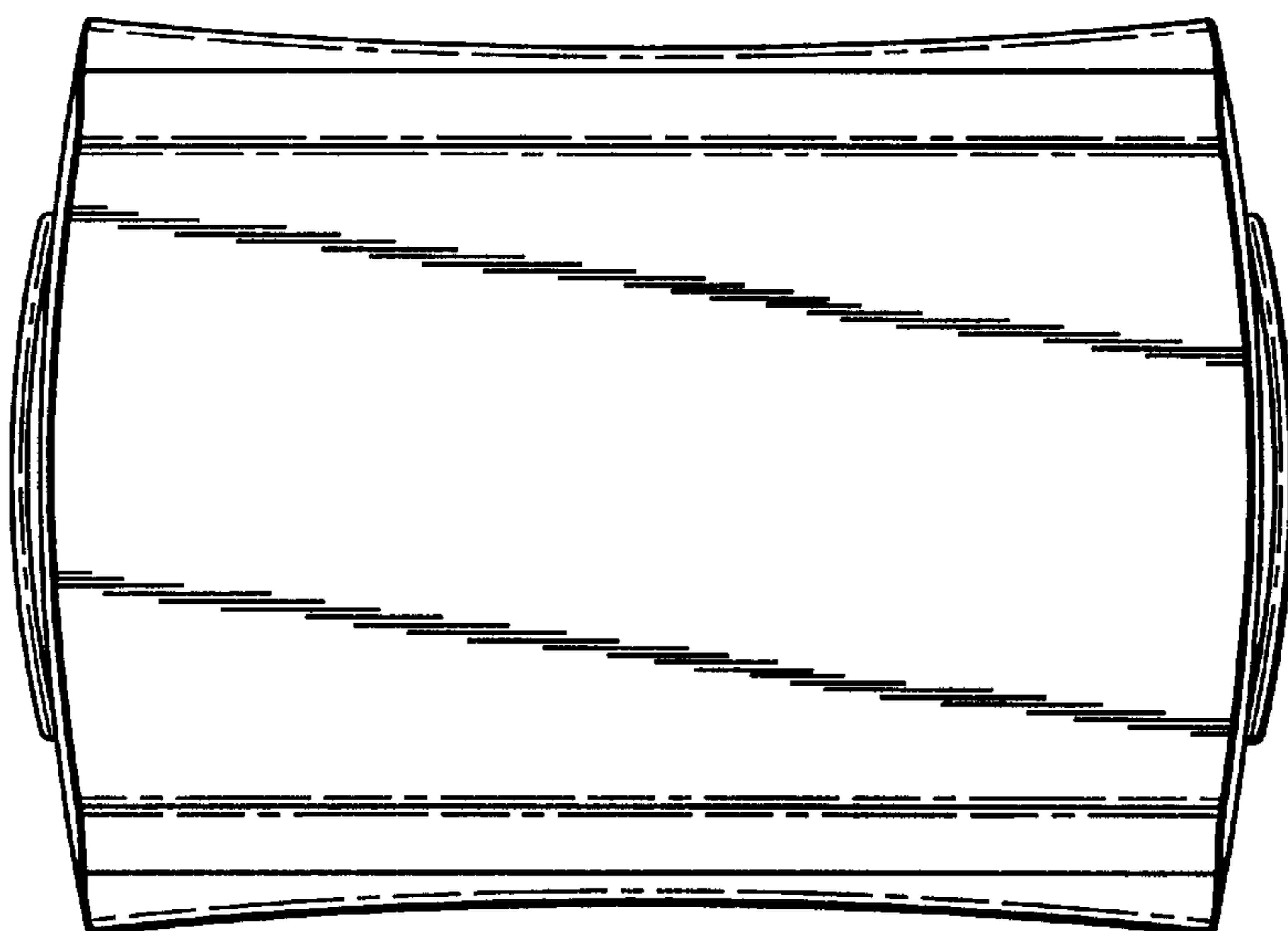


Fig. 15