



US00D456848S

(12) **United States Design Patent**
Cheris et al.

(10) **Patent No.:** **US D456,848 S**

(45) **Date of Patent:** **** May 7, 2002**

(54) **PENCIL HOLDER**

(76) Inventors: **Albert B. Cheris**, 513 Kelburn Rd.,
Deerfield, IL (US) 60015; **Mark**
Dziersk, 1450 N. Dearborn Pkwy.,
Chicago, IL (US) 60610

(**) Term: **14 Years**

(21) Appl. No.: **29/140,332**

(22) Filed: **Apr. 17, 2001**

(51) **LOC (7) Cl.** **19-06**

(52) **U.S. Cl.** **D19/83; D19/92; D19/77**

(58) **Field of Search** D3/201, 206; D19/35,
D19/36, 65, 75, 77, 78, 81-85, 86, 92,
95, 99, 100; 206/214, 224, 371, 555, 215;
211/69.1-69.9, 10, 11, 126.13, 55; 434/415

(56) **References Cited**

U.S. PATENT DOCUMENTS

- 1,005,998 A * 10/1911 Munchausen D19/92 X
- D190,458 S * 5/1961 Fleming D3/206
- D266,772 S * 11/1982 Sayers D19/92
- D273,018 S * 3/1984 Barbieri et al. D19/75

- D303,993 S * 10/1989 Szablak et al. D19/78
- D358,846 S * 5/1995 Kirchhoff et al. D19/78
- D362,572 S * 9/1995 Joseph, Jr. D19/92 X
- D362,687 S * 9/1995 Kirchhoff et al. D19/92
- 5,641,074 A * 6/1997 Smed 211/11
- D423,055 S * 4/2000 Demsien et al. D19/81

* cited by examiner

Primary Examiner—Martie K. Holtje

(74) *Attorney, Agent, or Firm*—Marshall, Gerstein & Borun

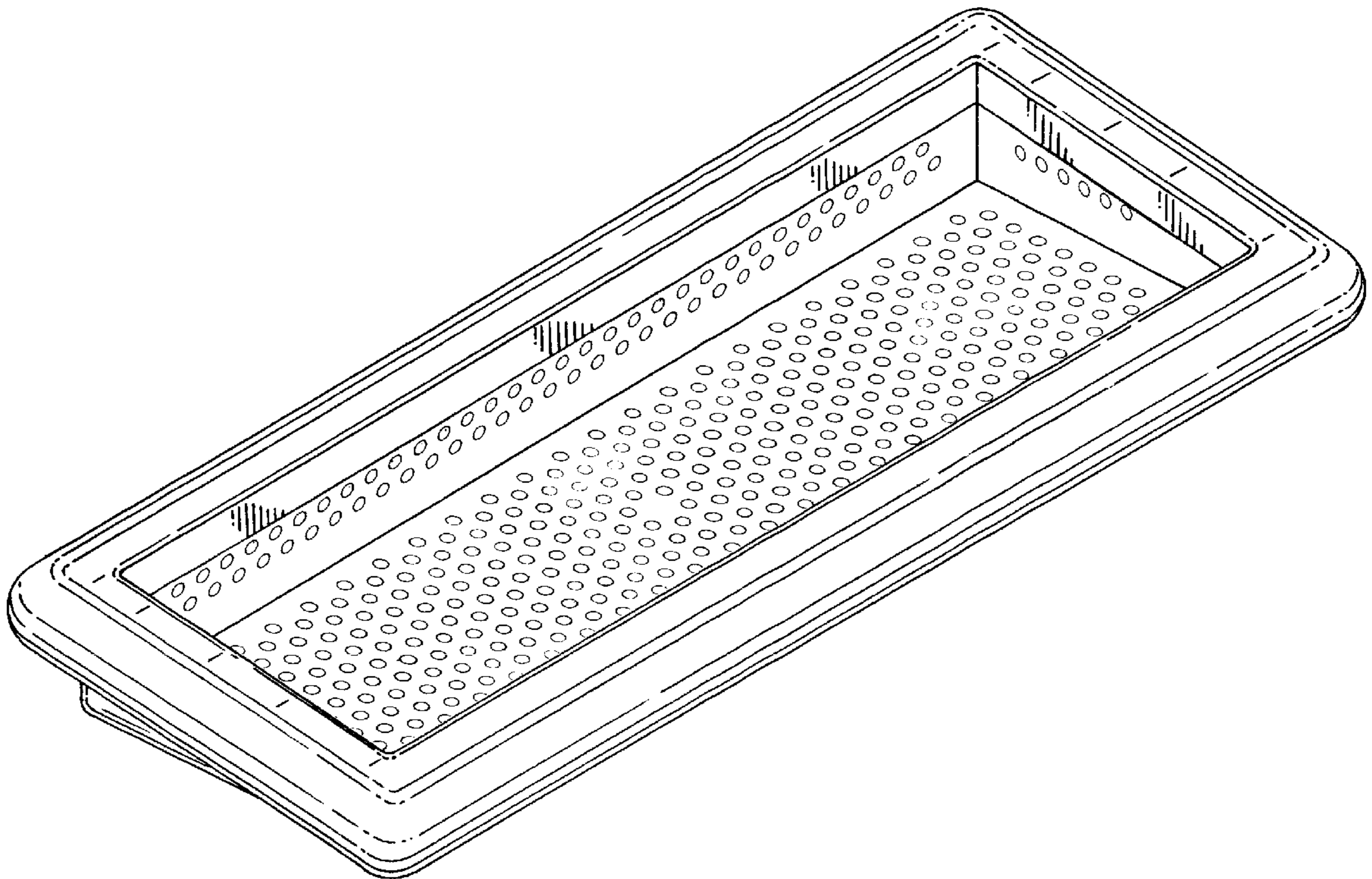
(57) **CLAIM**

The ornamental design for a pencil holder, as shown and described.

DESCRIPTION

FIG. 1 is a perspective view of a pencil holder of our design;
 FIG. 2 is a front elevational view thereof;
 FIG. 3 is a rear elevational view thereof;
 FIG. 4 is an elevational view of one side thereof, the
 opposite side being substantially a mirror image thereof;
 FIG. 5 is a top plan view thereof; and,
 FIG. 6 is a bottom plan view thereof.

1 Claim, 2 Drawing Sheets



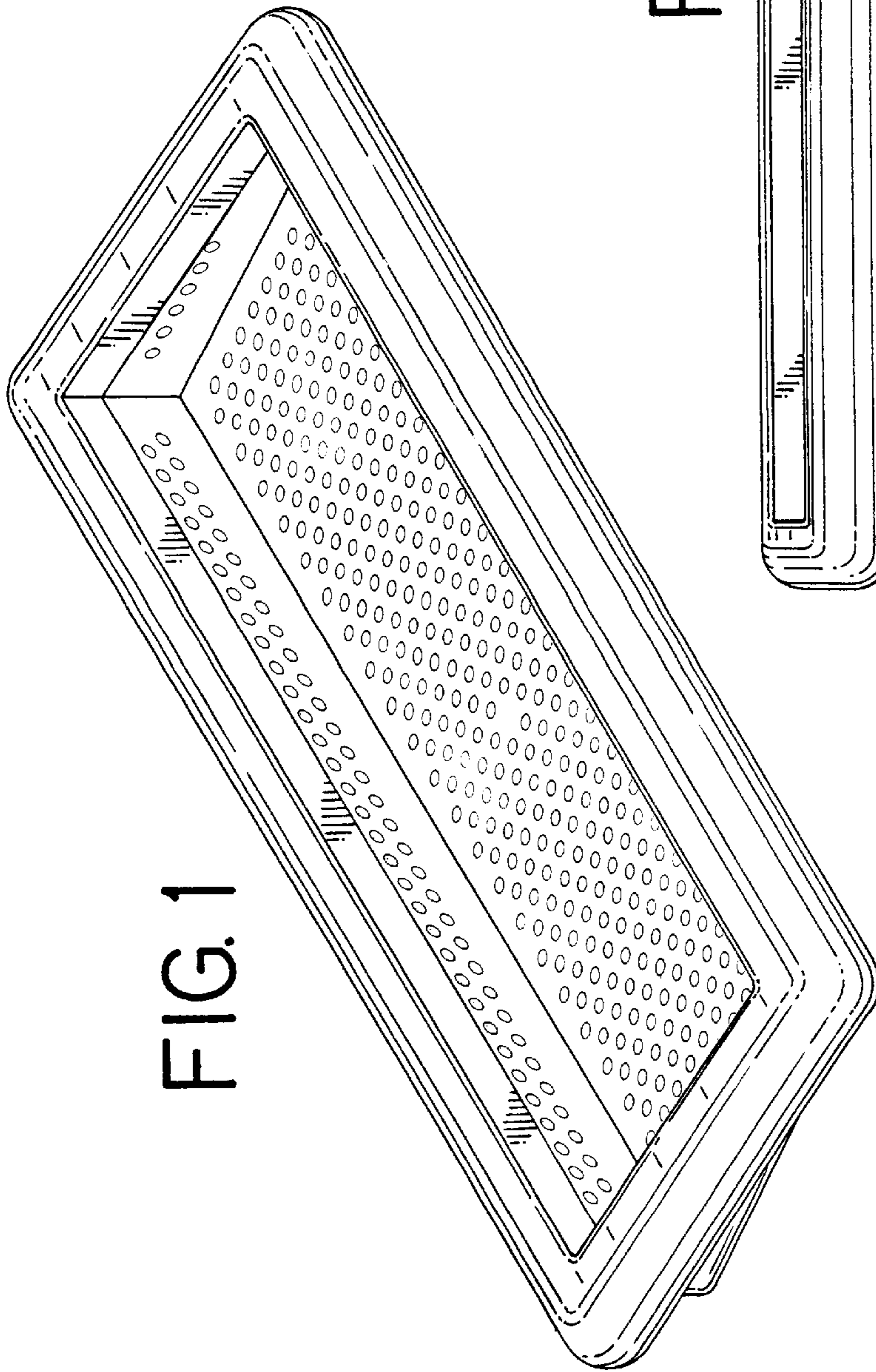


FIG. 1

FIG. 2

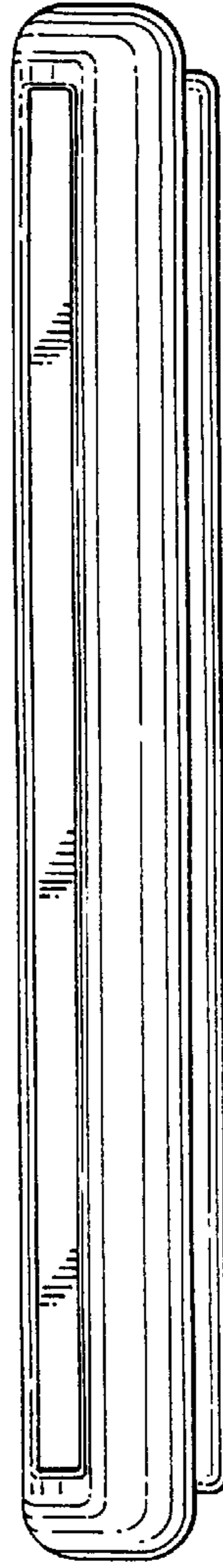
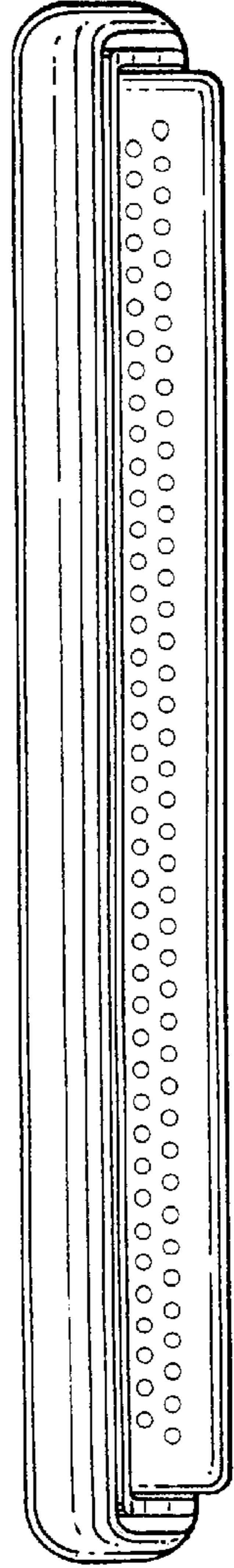


FIG. 3



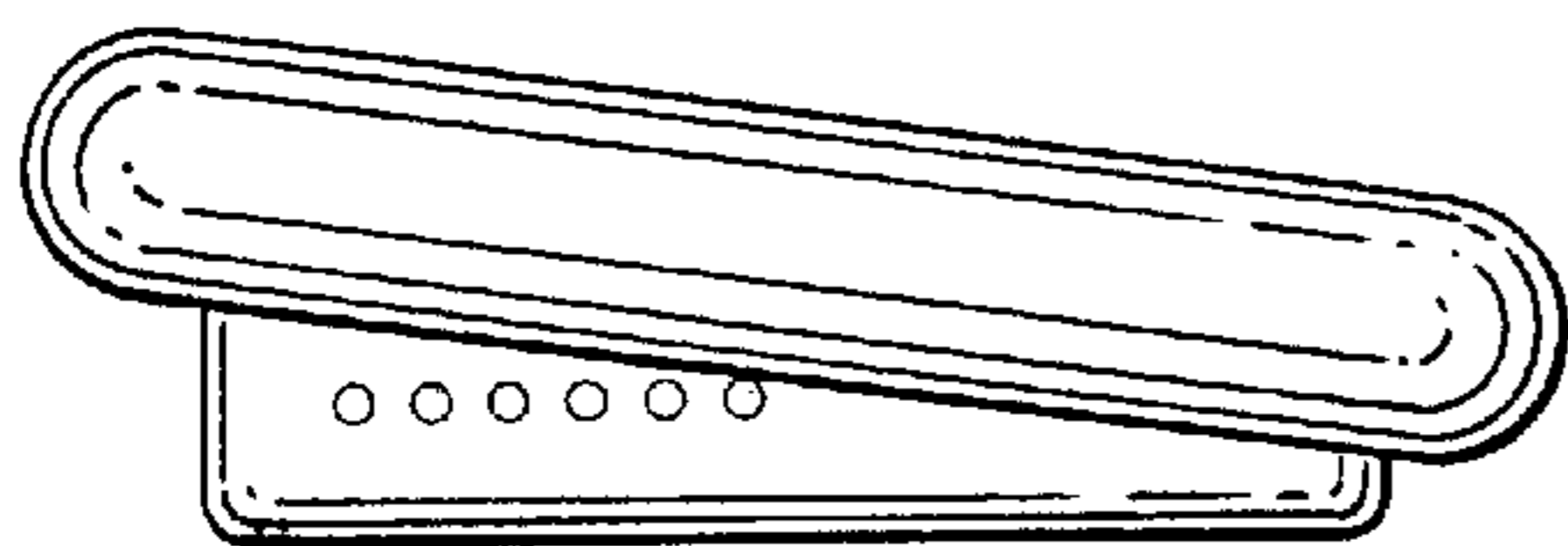


FIG. 4

FIG. 5

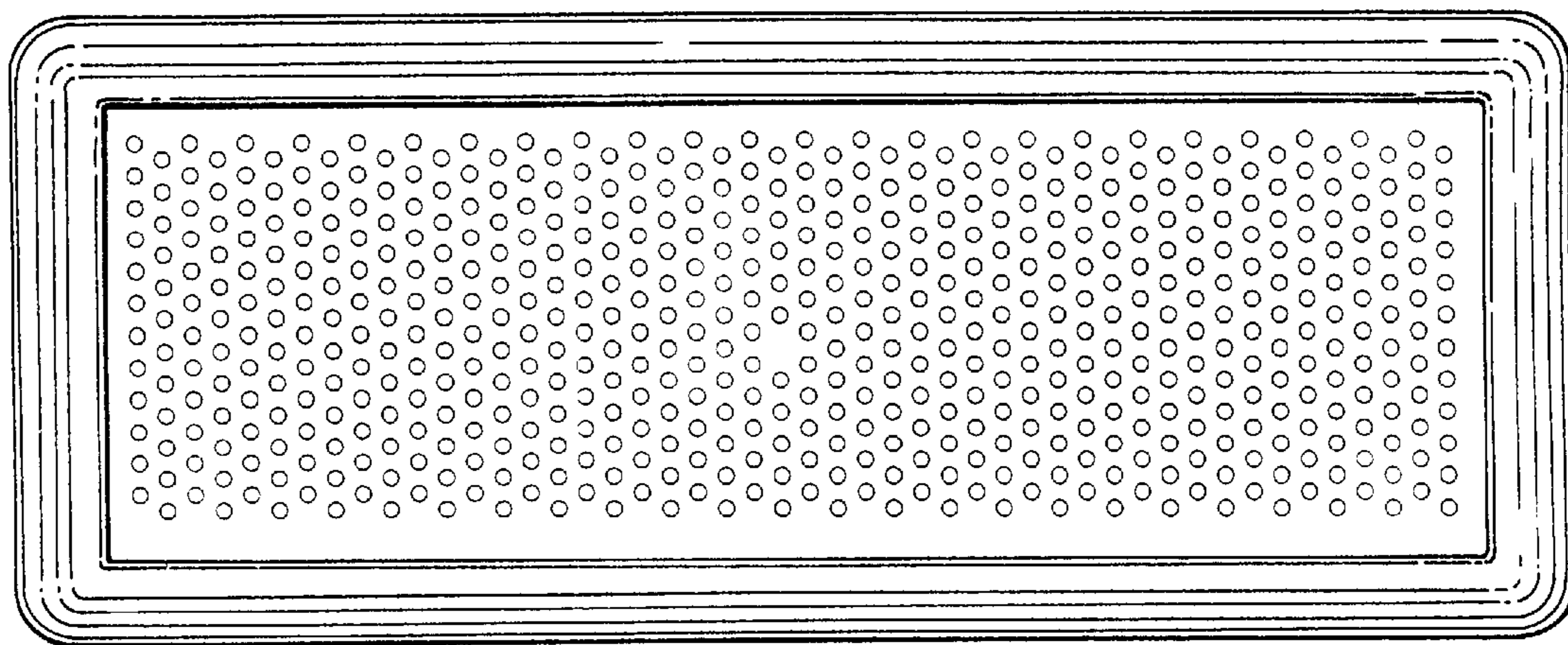


FIG. 6

