



US00D456841S

(12) **United States Design Patent**
Bock

(10) **Patent No.:** **US D456,841 S**

(45) **Date of Patent:** **** May 7, 2002**

(54) **FOLDER**

(76) Inventor: **Richard Bock**, 675 21st Pl., Santa Monica, CA (US) 90402

(**) Term: **14 Years**

(21) Appl. No.: **29/139,938**

(22) Filed: **Apr. 9, 2001**

(51) **LOC (7) Cl.** **19-04**

(52) **U.S. Cl.** **D19/26**

(58) **Field of Search** D19/26, 27, 86, D19/88; D3/303, 900; 281/29, 34, 36, 31, 15.1; 283/36; 248/451, 452; 402/80 R, 79, 73

(56) **References Cited**

U.S. PATENT DOCUMENTS

- 2,906,267 A * 9/1959 Loudon 281/34
- D333,161 S * 2/1993 Hartnett D19/26 X
- 5,249,827 A * 10/1993 Olson 283/36

- D364,640 S * 11/1995 Zimbelman D19/27
- 5,529,418 A * 6/1996 Alotta 402/73

* cited by examiner

Primary Examiner—Paula A. Mortimer
(74) *Attorney, Agent, or Firm*—Jeffrey Furr

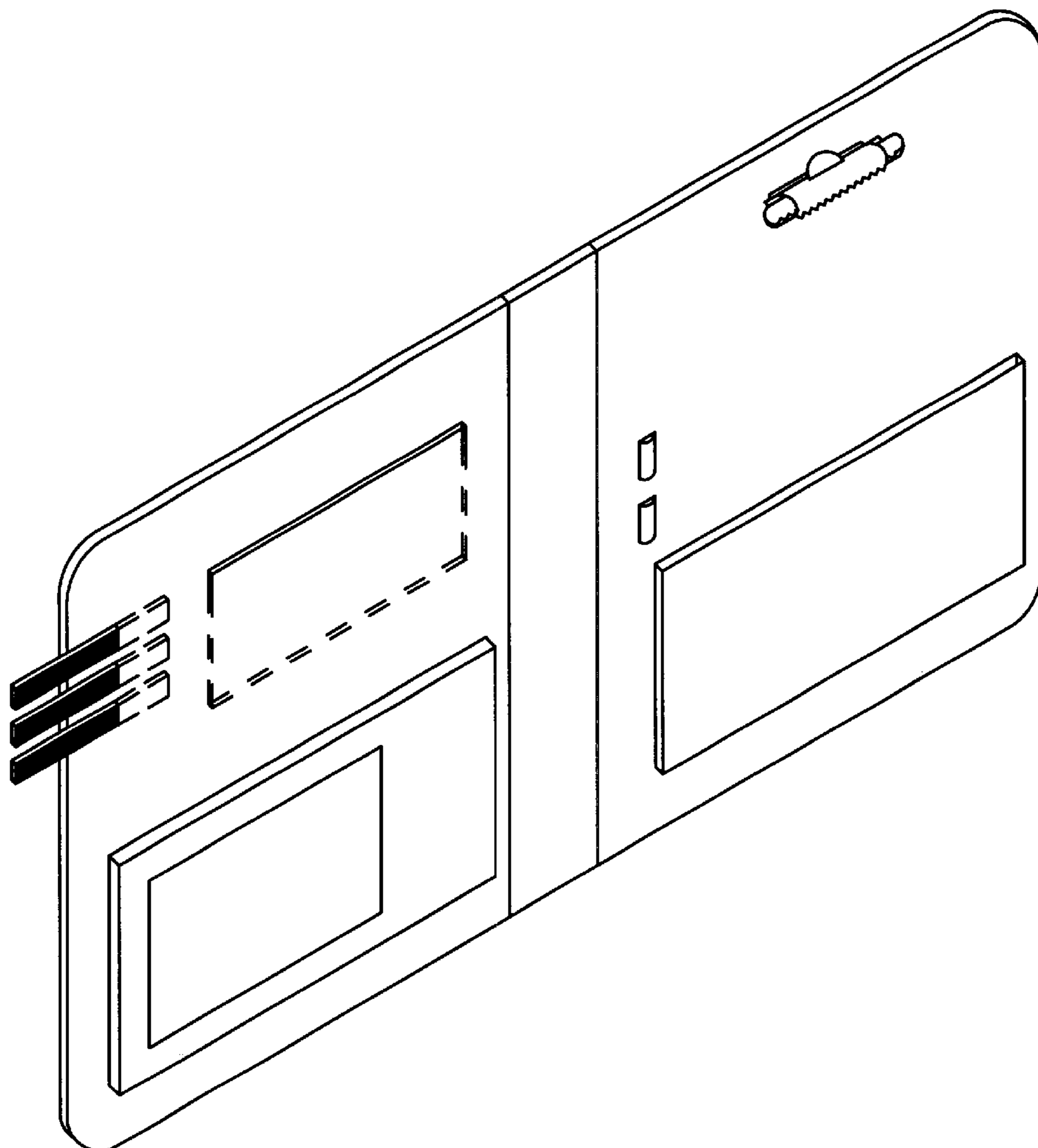
(57) **CLAIM**

The ornamental design for a folder, as shown and described.

DESCRIPTION

FIG. 1 is a front elevational view of a folder showing my new design, the ends of the tabs are drawn broken away to show indeterminate length;
 FIG. 2 is a closed view of the front thereof;
 FIG. 3 is a closed view of the side thereof; and,
 FIG. 4 is a front perspective view thereof.
 The broken line showing in FIGS. 1 and 4 is for illustrative purposes only and forms no part of the claimed design.

1 Claim, 2 Drawing Sheets



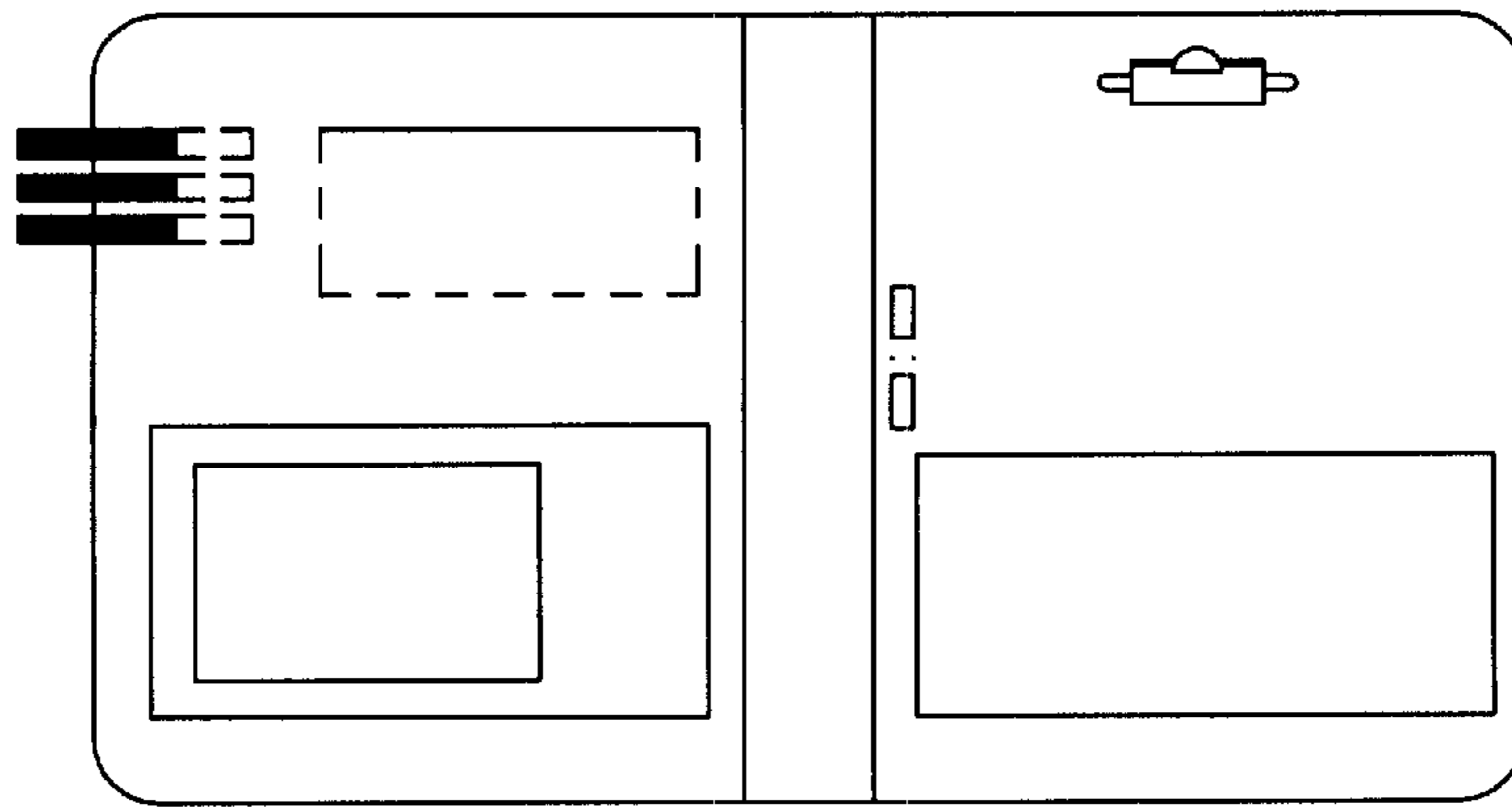


FIG. 1

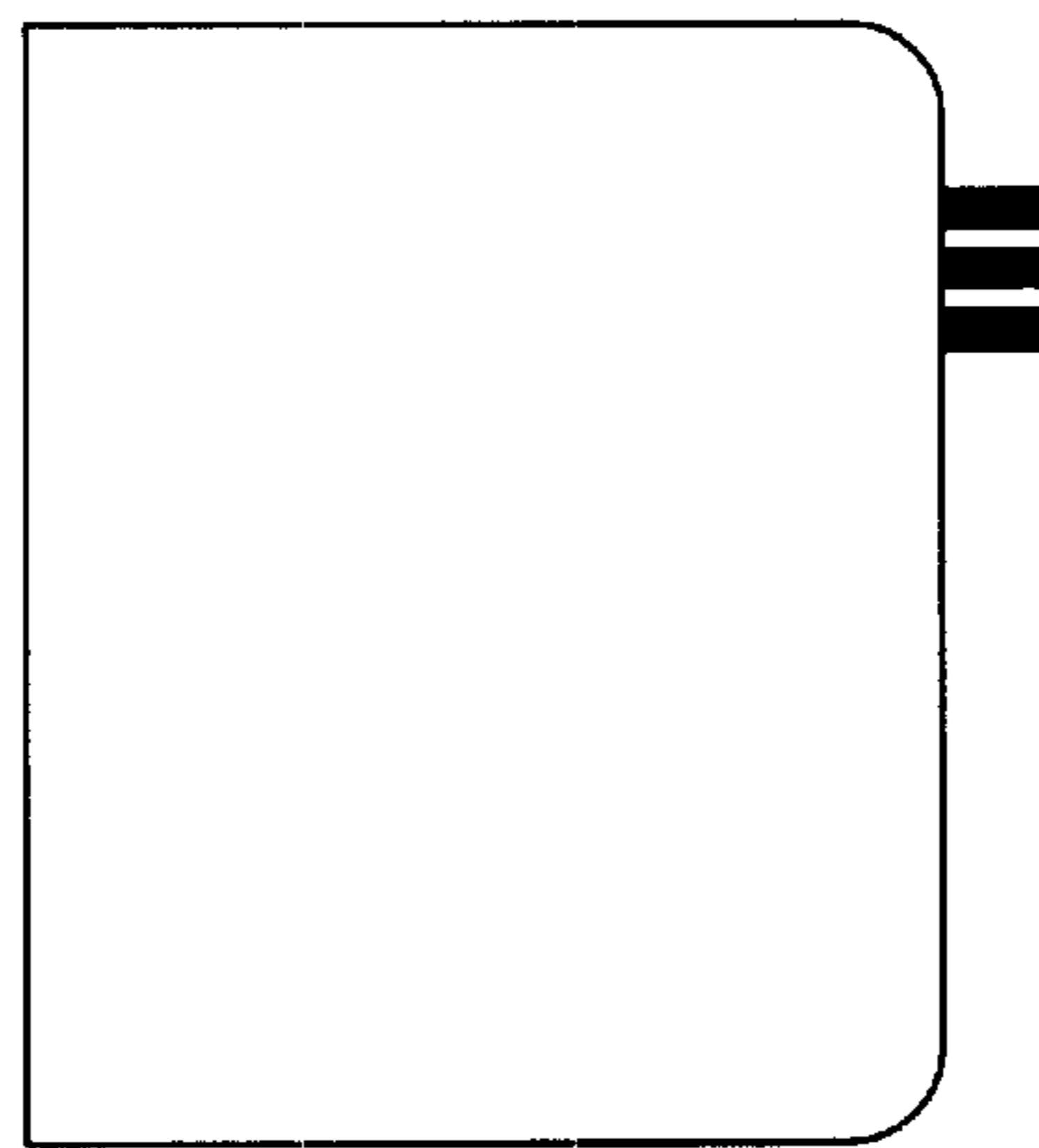


FIG. 2

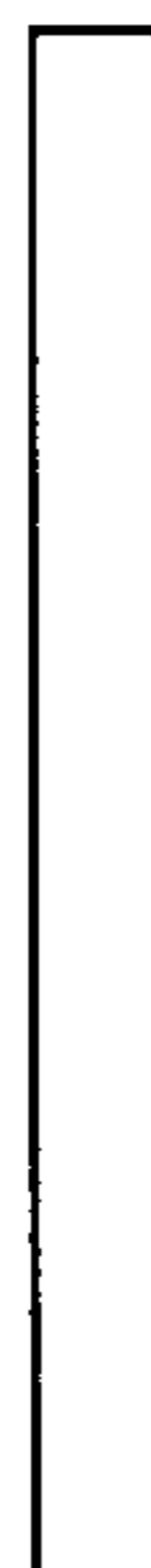


FIG. 3

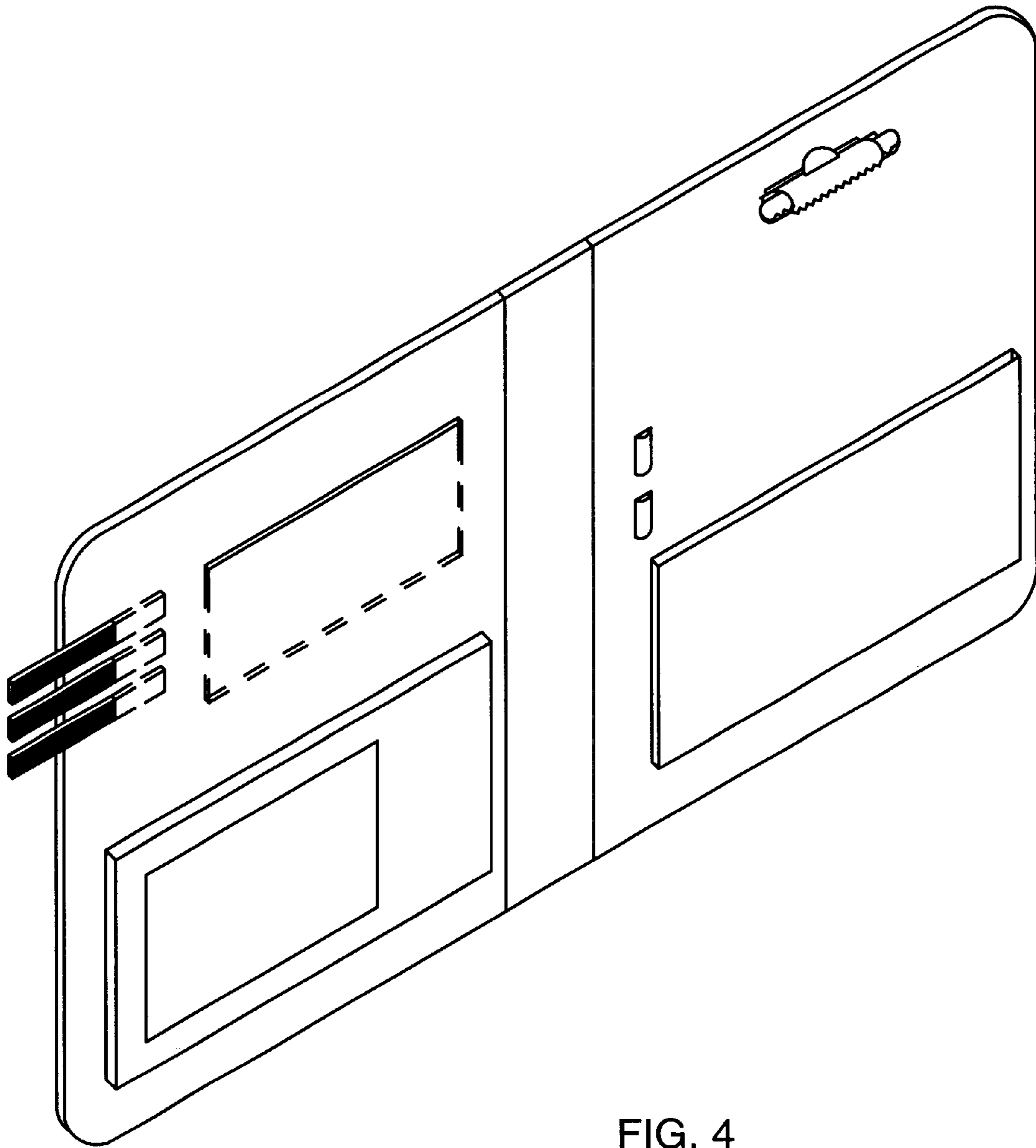


FIG. 4